

## FRANCHISE DISCLOSURE DOCUMENT

# ZENSHI

### Advanced Fresh Concepts Franchise Corp.

a California corporation  
19700 Mariner Avenue  
Torrance, California 90503  
Telephone: 310-604-3200  
info@afcsushi.com  
www.afcsushi.com



Advanced Fresh Concepts Franchise Corp. (“AFC”) will grant you a franchise to use our system to offer prepared sushi and other Asian style foods from one or more (i) Zenshi Counters at a grocery store, retail center or other location that someone else owns (“Zenshi Counter”); (ii) AFC food service counters at a grocery store, retail center or other location that someone else owns (“AFC Food Service Counter”); (iii) Wild Blue Counters at a university or other select locations (“Wild Blue Counter”); ~~(iii) Zenshi Counters at a grocery store, retail center or other location that someone else owns (“Zenshi Counter”).~~

The total investment necessary to begin operation of an Zenshi Counter/AFC Food Service Counter/Wild Blue Counter/~~Zenshi Counter~~ is as follows: (1) if you are a new franchisee, the estimated total investment for one full-time or part-time Zenshi Counter/AFC Food Service Counter/Wild Blue Counter/~~Zenshi Counter~~ is between \$41,104 and \$138,804 for a non-AFC operated location and between \$42,104 and \$238,804 if you purchase an existing AFC operated location. This includes \$38,344 to \$224,474 that must be paid to us; (2) if you are an existing franchisee purchasing an additional full-time or part-time Zenshi Counter/AFC Food Service Counter/Wild Blue Counter/~~Zenshi Counter~~, the estimated total investment necessary to begin operation of each additional Zenshi Counter/AFC Food Service Counter/Wild Blue Counter/~~Zenshi Counter~~ is between \$38,119 and \$117,724 for a non-AFC operated location and \$39,119 and \$217,724 for an existing AFC operated location. This includes \$36,869 to \$214,924 that must be paid to us; (3) if you are an existing franchisee purchasing a self-service Zenshi Counter/AFC Food Service Counter/Wild Blue Counter/~~Zenshi Counter~~, the estimated total investment necessary to begin operations is between \$3,350 and \$17,900. This includes \$3,350 to \$17,000 that must be paid to us.

This disclosure document summarizes certain provisions of your franchise agreement and other information in plain English. Read this disclosure document and all accompanying agreements carefully. You must receive this disclosure document at least 14 calendar days before you sign a binding agreement with, or make any payment to, the franchisor or an affiliate in connection with the proposed franchise sale. **Note, however, that no governmental agency has verified the information contained in this document.**

You may wish to receive your disclosure document in another format that is more convenient for you. To discuss the availability of disclosures in different formats, contact Jeff Seiler, at 19700 Mariner Avenue, Torrance, California 90503, Telephone: 310-604-3200.

The terms of your contract will govern your franchise relationship. Don’t rely on the disclosure document alone to understand your contract. Read all of your contract carefully. Show your contract and this disclosure document to an advisor, like a lawyer or an accountant.

Buying a franchise is a complex investment. The information in this disclosure document can help you make your mind. More information on franchising, such as “A Consumer Guide’s to Buying a Franchise,” which can help you understand how to use this disclosure document, is available from the Federal Trade Commission. You can contact the FTC at 1-877-FTC-HELP or by writing to the FTC at 600 Pennsylvania Avenue, NW, Washington, D.C. 20580. You can also visit the FTC’s home page at [www.ftc.gov](http://www.ftc.gov) for additional information. Call your state agency or visit your public library for other sources of information on franchising.

There may also be laws on franchising in your state. Ask your state agencies about them.

FTC Issuance Date: ~~June 28, 2023~~July 23, 2024

## How to Use This Franchise Disclosure Document

Here are some questions you may be asking about buying a franchise and tips on how to find more information:

QUESTION	WHERE TO FIND INFORMATION
<b>How much can I earn?</b>	Item 19 may give you information about outlet sales, costs, profits or losses. You should also try to obtain this information from others, like current and former franchisees. You can find their names and contact information in Item 20 or Exhibit M.
<b>How much will I need to invest?</b>	Items 5 and 6 list fees you will be paying to the franchisor or at the franchisor’s direction. Item 7 lists the initial investment to open. Item 8 describes the suppliers you must use.
<b>Does the franchisor have the financial ability to provide support to my business?</b>	Item 21 or Exhibit A includes financial statements. Review these statements carefully.
<b>Is the franchise system stable, growing, or shrinking?</b>	Item 20 summarizes the recent history of the number of company-owned and franchised outlets.
<b>Will my business be the only AFC business in my area?</b>	Item 12 and the “territory” provisions in the franchise agreement describe whether the franchisor and other franchisees can compete with you.
<b>Does the franchisor have a troubled legal history?</b>	Items 3 and 4 tell you whether the franchisor or its management have been involved in material litigation or bankruptcy proceedings.
<b>What’s it like to be a AFC franchisee?</b>	Item 20 or Exhibit M lists current and former franchisees. You can contact them to ask about their experiences.
<b>What else should I know?</b>	These questions are only a few things you should look for. Review all 23 Items and all Exhibits in this disclosure document to better understand this franchise opportunity. See the table of contents.

## What You Need To Know About Franchising *Generally*

**Continuing responsibility to pay fees.** You may have to pay royalties and other fees even if you are losing money.

**Business model can change.** The franchise agreement may allow the franchisor to change its manuals and business model without your consent. These changes may require you to make additional investments in your franchise business or may harm your franchise business.

**Supplier restrictions.** You may have to buy or lease items from the franchisor or a limited group of suppliers the franchisor designates. These items may be more expensive than similar items you could buy on your own.

**Operating restrictions.** The franchise agreement may prohibit you from operating a similar business during the term of the franchise. There are usually other restrictions. Some examples may include controlling your location, your access to customers, what you sell, how you market, and your hours of operation.

**Competition from franchisor.** Even if the franchise agreement grants you a territory, the franchisor may have the right to compete with you in your territory.

**Renewal.** Your franchise agreement may not permit you to renew. Even if it does, you may have to sign a new agreement with different terms and conditions in order to continue to operate your franchise business.

**When your franchise ends.** The franchise agreement may prohibit you from operating a similar business after your franchise ends even if you still have obligations to your landlord or other creditors.

### Some States Require Registration

Your state may have a franchise law, or other law, that requires franchisors to register before offering or selling franchises in the state. Registration does not mean that the state recommends the franchise or has verified the information in this document. To find out if your state has a registration requirement, or to contact your state, use the agency information in Exhibit N.

Your state also may have laws that require special disclosures or amendments be made to your franchise agreement. If so, you should check the State Specific Addenda. See the Table of Contents for the location of the State Specific Addenda.

## Special Risks to Consider About *This Franchise*

Certain states require that the following risk(s) be highlighted:

1. **Out-of-State Dispute Resolution.** The franchise agreement requires you to resolve disputes with the franchisor by arbitration only in California. Out-of-state arbitration may force you to accept a less favorable settlement for disputes. It may also cost more to arbitrate with the franchisor in California than in your own state.
2. **Turnover Rate.** During the last 3 years, a large number of franchised outlets were terminated, not renewed, re-acquired, or ceased operations for other reasons. This franchise could be a higher risk investment than a franchise in a system with a lower turnover rate.

Certain states may require other risks to be highlighted. Check the “State Specific Addenda” (if any) to see whether your state requires other risks to be highlighted.

**TABLE OF CONTENTS**

<u>ITEM</u>		<u>PAGE</u>
Item 1	The Franchisor and Any Parents, Predecessors and Affiliates .....	1
Item 2	Business Experience .....	<del>54</del>
Item 3	Litigation.....	<del>65</del>
Item 4	Bankruptcy .....	<del>97</del>
Item 5	Initial Fees.....	<del>98</del>
Item 6	Other Fees .....	<del>109</del>
Item 7	Estimated Initial Investment.....	<del>1614</del>
Item 8	Restrictions on Sources of Products and Services .....	<del>2321</del>
Item 9	Franchisee’s Obligations.....	<del>2423</del>
Item 10	Financing.....	<del>2625</del>
Item 11	Franchisor’s Assistance, Advertising, Computer Systems and Training .....	<del>2826</del>
Item 12	Territory .....	<del>3331</del>
Item 13	Trademarks.....	<del>3433</del>
Item 14	Patents, Copyrights and Proprietary Information .....	<del>3836</del>
Item 15	Obligation to Participate in the Actual Operation of the Franchise Business .....	<del>3837</del>
Item 16	Restrictions on What the Franchisee May Sell.....	<del>3938</del>
Item 17	Renewal, Termination, Transfer and Dispute Resolution .....	<del>4038</del>
Item 18	Public Figures.....	<del>4847</del>
Item 19	Financial Performance Representations.....	<del>4847</del>
Item 20	Outlets and Franchisee Information.....	<del>4947</del>
Item 21	Financial Statements.....	<del>7965</del>
Item 22	Contracts .....	<del>7965</del>
Item 23	Receipts.....	<del>7965</del>

**EXHIBITS**

- A. Financial Statements
- B. Franchise Application
- C. Franchise Agreement
- D. Full-Time Location Franchise Addendum
- E. Part-Time Location Addendum
- F. Self-Service Location Addendum
- G. General Release
- H. Assignment of Franchise Agreement and Franchisor Consent
- I. Asset Sale and Purchase Agreement
- J. Food Service Counter Transfer Agreement
- K. Promissory Note
- L. Table of Contents of Operating Manual, SSOP Manual and Steam Table Manual
- M. List of Franchisees, Company Owned Locations, Transfers, Terminations, Non-Renewals, Ceased Operations/Other in Our Last Fiscal Year
- N. List of State Administrators and Agents for Service of Process
- ~~Q.~~ State Specific Addenda
- ~~P.~~ P. Confidentiality Agreement
- ~~Q.~~ Q. Tablet and Rice Sheeter Specifications
- ~~R.~~ RECEIPTS

## ITEM 1 THE FRANCHISOR AND ANY PARENTS, PREDECESSORS AND AFFILIATES

We are Advanced Fresh Concepts Franchise Corp., a California corporation, incorporated on April 30, 2002. To simplify this Disclosure Document, we refer to ourselves as “AFC,” “Advanced Fresh Concepts,” “we” or “us.” We refer to Zenshi Counter(s), AFC Food Service Counter(s), and Wild Blue Counter(s) ~~and Zenshi Counter(s)~~ collectively as “Food Service Counter(s).” We refer to the person or company that buys a franchise from us as “you.”

Our immediate parent is Advanced Fresh Concepts Corp. (“AFCC”) which granted us a license to use certain trademarks and to grant the use of the trademarks to our franchisees. They were incorporated in California in 1986. We have no other predecessor. We are affiliated with, Advanced Fresh Concepts Pty. Ltd. (“AFCPL”), an Australian entity formed on April 23, 2015 and AFC Distribution Corp. (“AFCDC”), a California corporation incorporated on April 29, 2016.

The business address for us is 19700 Mariner Avenue, Torrance, California 90503, and the business address for AFCC and AFCDC is 19205 South Laurel Park Road, Rancho Dominguez, California 90220. Our phone number is 310-604-3200. Our agent for service of process in California is Incorp Services, Inc. 5716 Corsa Avenue, Suite 110, Westlake Village, California 91362-7354. AFCPL’s address is 12/538 Gardeners Road, Mascot NSW 2020, Australia. Please check Exhibit N for agents in other registration states.

We have offered Zenshi Counters in the United States since June 2023. We have offered franchises for AFC Food Service Counters in the United States since May 2002 and in Canada since September 2009. We have offered franchises for Wild Blue Counters in the United States and Canada since June 2021. ~~We have offered Zenshi Counters in the United States since June 2023.~~ We are not in any other line of business and have not offered franchises in any other line of business. On April 23, 2015, AFCPL was created to offer and sell franchises in Australia. We are the master Franchisor of AFCPL in Australia. AFCPL is not in any other business and has not offered franchises in another line of business.

### **Other Parent Companies and Affiliates:**

Our ultimate parent is Zensho Holdings Co., Ltd. (“Zensho Holdings”), a Japan limited liability company formed on June 30, 1982. Zensho Holdings does not operate franchises in any line of business. The business address for Zensho Holdings is JR Shinagawa East Building 2-18-1, Konan, Minato-ku, Tokyo 108-0075. Zensho Holdings is affiliated with Zensho USA Corporation, Zensho Food Singapore Pte. Ltd., Pocino Foods Company, Mauri Wasabi, Inc., Coco’s Japan Co., Ltd., Nakau Co., Ltd. and World Food To Go S.L.

Zensho USA Corporation (“Zensho USA”), AFCC’s immediate parent and also our indirect parent is a Delaware corporation formed on January 5, 2015. Zensho USA is a wholly-owned subsidiary of Zensho Holdings. Zensho USA does not operate franchises in any line of business. The business address for Zensho USA is 27261 Las Ramblas, Suite 340, Mission Viejo, California 92691.

Pocino Foods Company (“Pocino Foods”), a wholly owned subsidiary of Zensho USA is a California corporation formed on January 27, 1965. Pocino Foods is an American food manufacturer specializing in premium pastrami and other deli meats, meatballs, and Mexican and Asian-style meats. AFCDC (discussed below) purchases products directly from Pocino Foods and sells those products to our franchisees to be used at Food Service Counters. Pocino Foods does not operate franchises in any line of business. The business address for Pocino Foods is 14250 Lomitas Avenue, City of Industry, California 91746.

Marui Wasabi, Inc. (“Marui Wasabi”), owned 50% by AFCC is a California corporation formed on August 7, 2000. Marui Wasabi is an importer, manufacturer and distributor of wasabi-based products and other Asian style sauces. AFCDC may purchase products directly from Marui Wasabi and sell those products to our franchisees to be used at Food Service Counters in the future. Marui Wasabi does not operate franchises

in any line of business. The business address for Marui Wasabi is 13033 Artic Circle, Santa Fe Springs, California 90670.

Zensho Food Singapore Pte. Ltd. (“Zensho Food”), a Singapore limited liability company formed in 2012, is a franchisee of Long John Silver’s, LLC. As of March ~~2023~~2024, Zensho Food operated ~~19~~20 Long John Silver’s restaurant locations in Singapore. Long John Silver’s restaurants offer fried seafood and chips in a quick-serve restaurant environment. The business address of Zensho Food is 31 Ubi Road 1, #07-02 Annex Building, Singapore 408694.

Coco’s Japan Co., Ltd. (“Coco’s”), a Japan limited liability company, formed on April 5, 1978, is a franchisor of Coco’s restaurants in Japan. As of March ~~2023~~2024, Coco’s had ~~78~~77 franchised restaurants in Japan. Coco’s restaurants offer a variety of signature soups, hamburgers, salads and combination dinners, in a full-service family-style environment. The business address of Coco’s is the same as Zensho Holdings. Coco’s has offered franchises since 1984.

Nakau Co., Ltd. (“Nakau”), a Japan limited liability company formed in 1966, is a franchisor of Nakau restaurant locations in Japan. As of March ~~2023~~2024, Nakau had ~~7~~6 franchised locations in Japan. Since March 2005, Nakau has operated as a subsidiary of Zensho Holdings. Nakau restaurants offer donburi (rice bowls) and Kyoto-style udon noodles, in addition to other items, in a fast-food environment. The business address of Nakau is the same as Zensho Holdings. Nakau has offered franchises since 1989.

YO! Sushi UK Limited, (“YO!”), a UK limited company formed on November 24, 1994, is wholly owned by YO! Sushi Limited, which is ultimately a wholly owned subsidiary of Zensho Holdings. YO! operates a combination of franchised and company owned sushi counters in the United Kingdom under the brand YO! Sushi. As of March 2024, there were 329 franchised locations in the United Kingdom, and 178 corporately owned kiosks. In addition to operating sushi counters, YO! also operates a number of company owned Japanese food restaurants in the United Kingdom, and franchised restaurants which are located across Australia, France, the Netherlands, Norway, Turkey and the United Arab Emirates. There are no franchised YO! food restaurants in the United States or Canada. As of March 2024, there were 53 company operated YO! food restaurants in the United Kingdom, and there were 20 franchised restaurants globally. The business address of YO! is Fourth Floor, 69 Wilson Street, London, EC2A 2BB, United Kingdom.

JFE Franchising, Inc. (“JFE”), a Texas corporation formed on August 21, 2013, is wholly owned by Snowfox US Holdco Inc., which is ultimately a wholly owned subsidiary of Zensho Holdings. JFE has offered franchised sushi counters in the United States since October 2013 under the brand Snowfox. As of March 2024, there were 1,362 franchised Snowfox locations in the United States. In addition to operating sushi counters, JFE operates a franchised fresh cut fruit, vegetable and salad within many of the same locations as the franchised sushi counters. As of March 2024, JFE had 1,035 franchised locations in the United States, and 1 company owned location in Australia. The business address of JFE is 2021 Bingle Road, Houston, Texas, 77055.

Snowfox (Ireland) Limited (“Snowfox Ireland”), an Irish registered limited company formed on June 19, 2023, is wholly owned by Snowfox Midco 1 Limited, ultimately a wholly owned subsidiary of Zensho Holdings. Snowfox Ireland operates franchised sushi counters in the Republic of Ireland under the brand Snowfox. As of March 2024, there was 1 franchised Snowfox location in the Republic of Ireland. The business address of Snowfox Ireland is Beaux Lane House, Mercer Street Lower, Dublin 2, Dublin, Republic of Ireland.

Bento Sushi Franchise Inc (“BSFI”), a Delaware corporation formed on April 12, 2016, is a wholly owned subsidiary of Zensho Holdings, is in the business of selling franchises and developing branded products under the name “BENTO SUSHI.” BSFI’s primary business is offering and selling franchises in the United States. BSFI operates a franchise distribution system under a License Agreement dated April 29, 2016 with

Bento Inc., an affiliate of BSFI. As of April 1, 2024, BSFI had 58 franchised locations. The principal place of business of BSFI is 501 Cambria Avenue, Suite 124, Bensalem, PA 19020.

Bento Inc ("BI"), an Ontario business corporation formed on November 20, 2017, is ultimately a wholly owned subsidiary of Zensho Holdings. BI has operated company-owned Bento Sushi outlets, and subcontracts other Bento Sushi outlets in Canada since 1996. These outlets are similar to the franchised outlets offered in this disclosure document. As of April 1, 2024, BI had over 825 company-owned and subcontracted outlets in Canada. In addition, BI operates 8 central production kitchens, 4 in Canada and 4 in the United States, servicing over 2,000 locations. The principal place of business of BI is 25 Sims Crescent, Unit 1, Richmond Hill, Ontario, L4B 1C9.

Bento Nouveau Inc ("BNI"), a Delaware corporation formed on October 5, 2005, is ultimately a wholly owned subsidiary of Zensho Holdings. BNI operates in the United States only. It has operated company-owned Bento Sushi outlets that are similar to the franchised outlets offered in this disclosure document since 2005. As of April 1, 2024, BNI had 4 company owned outlets in the United States, primarily on the east coast. The principal place of business of BNI is 25 Sims Crescent, Unit 1, Richmond Hill, Ontario, L4B 1C9.

Bento Sushi Franchise Ltd. ("BSFL"), an Ontario business corporation formed on May 22, 2013, is ultimately a wholly owned subsidiary of Zensho Holdings. BSFL offers franchises for Bento Sushi outlets in Canada, consisting primarily of Sushi Counter front and inline units in malls, hospitals, and universities. BSFL has offered Bento Sushi franchises in Canada since May 2013. As of April 1, 2024, BSFL had 15 franchised units in operation in Canada. BSFL does not operate a business of the type to be operated by you.

Bento Sushi USA, Inc. ("Bento USA"), a Delaware corporation formed on August 19, 2020, is ultimately a wholly owned subsidiary of Zensho Holdings. Bento USA offers franchises for retail sushi businesses in the State of Hawaii under the name and marks "BENTO SUSHI." Bento USA has offered Bento Sushi franchises since July of 2021. As of April 1, 2024, Bento USA had 38 franchisees in Hawaii and no company-owned locations. The principal place of business of Bento USA is 1011 Centre Road, Suite 310, New Castle County, Wilmington, Delaware 19805.

Lotteria Co., Ltd. ("Lotteria"), a Japanese Corporation formed in 1972, is a wholly owned subsidiary of Zensho Holdings, Ltd. and franchisor of Lotteria hamburger chain locations in Japan. As of March 2024, Lotteria had 82 franchised locations in Japan under the brand Lotteria. Lotteria offers a variety of classic and unique burger options, fries, drinks, and other fast-food items. The business address of Lotteria is JR Shinagawa East Building, 2-18-1 Konan, Minato-ku, Tokyo, Japan. Lotteria has offered franchises since 1972.

World Food To Go S.L. ("World food To Go"), owned 70% by Zensho EU Corporation, which is also a wholly owned subsidiary of Zensho Holdings, is a Spanish corporation formed on March 10, 2015. World Food To Go operates takeout sushi stands in Spain and, through its wholly owned subsidiaries SushiTake S.R.L., SushiTake S.L.U., SushiTake SIA, SushiTake OY and SushiTake AS, it operates sushi stands in Italy, Andorra, Latvia, Finland, and Norway respectively. As of March ~~2023~~2024, there were ~~81~~84 franchised locations in Spain, ~~1~~1 franchised location in Italy and ~~6~~6 franchised locations in Norway. The Business address of World Food To Go is Avda. De las Nieves 11, 28935 Móstoles, Madrid, Spain.

Other than stated above, Zensho Holdings, Zensho USA, Zensho Food, Pocino Foods, Mauri Wasabi, Coco's, Nakau, YO!, JFE, Snowfox Ireland, BSFI, BI, BNI, BSFL, Bento USA, Lotteria and World food To Go are not in any other line of business and do not currently offer franchises in any other line of business.

## **The Franchised Business**

Our business is granting franchises to let people, like you, operate Zenshi Counters, AFC Food Service Counters, and Wild Blue Counters ~~and Zenshi Counters~~, which offer prepared sushi and other Asian style foods. Sometimes, due to arrangements with the facility owner, you will operate your Food Service Counter under a different name, or a generic name.

Originally, our franchises emphasized sushi and this continues to be an important part of the franchise. Since approximately September 2005, we broadened our emphasis and now describe ourselves as food service counters. We are not in any other business and haven't offered franchises in any other business. We offer three types of franchises—full-time food service counters, part-time food service counters and self-service food service counters.

Full-time Food Service Counters allow you to operate a Food Service Counter as a department of a retail supermarket or in another kind of location, like a college campus or arena on a full time basis.

In some instances, we may permit you to operate at these facilities on a part-time basis. In part-time locations, you are not required to be personally present or have a manager personally present at the Food Service Counter more than four hours per day. We currently only permit franchisees to operate a part-time location if they already own a full time Food Service Counter.

Self-service Food Service Counters are available only to selected franchisees who already operate a full-time or part-time Food Service Counter with us. Under the self-service franchise, you service a supermarket or other location's sushi and/or other prepared food needs from your existing location. You do not have to be physically present at the self-service location during all hours of operation. It is your responsibility to prepare the prepared foods (such as sushi, roll n' wraps and other foods in our system) at your full-time or part-time Food Service Counter and deliver it at least once daily to your self-service location.

To purchase a Food Service Counter, you must sign our form franchise agreement and a separate addendum for each location to be opened by you. All the addendums are controlled by one franchise agreement.

Under each type of franchise, customers pay the facility owner for their purchases and sales are recorded in the facility owner's cash registers and then reported to us. The facility owner and we keep a percentage of your gross sales. We then return the remainder to you less amounts we deduct for other charges to you. At most locations, you will not use a cash register. At other locations, cash registers will be provided by the location owner for your use (See Items 6 & 11.) We also operate Food Service Counters that are similar to the ones you will operate. See Exhibit M. We are not in any other business.

We have agreements to operate Food Service Counters as separate departments of supermarkets and other venues. In many instances we perform the agreement by us granting you a franchise, so you can operate the Food Service Counter. We enter into agreements with location owners. Entering into a franchise agreement with you to operate at that location enables us to satisfy the agreement. We will tell you available locations when we meet.

Our affiliate AFCPL offers franchises similar to the ones you will operate outside the United States and Canada. As of March 31, ~~2023~~2024, AFCPL had ~~237~~371 franchised and company owned locations in Australia. AFCPL is not in any other line of business and does not offer franchises in any other line of business.

Our affiliate AFCDC fulfills and ships franchisee orders, ~~and~~ is our logistics provider for product shipments sold to you and sells products to third parties. AFCDC is not in any other line of business and does not offer franchises in any line of business.

There is an existing market for sushi and other prepared food products at stand-alone Food Service Counters and restaurants, and also at grocery stores. You will sell prepared foods mainly to customers who shop at the grocery store or visit the venue where your Food Service Counter is located. Customer traffic will be generated primarily by the facility and its owner. You are only permitted to sell your prepared food products at the Food Service Counter(s) we designate. The facility owner has the right to sell competing products at other locations in the facility. The market for sushi and other food products is fairly developed and is enjoyed by customers year round.

You must comply with federal and state laws on operating a restaurant, health, safety and sanitation laws which also include health department inspections, and menu and food labeling laws. This also includes the Hazard Analysis and Critical Control Point (“HACCP”) food safety program adopted by the U.S. Food & Drug Administration, and rules on handling, preparing and serving foods by people with communicable or infectious diseases. Your Food Service Counter may also be subject to laws on disposing hazardous wastes. Some states have laws requiring you to employ a person who is certified in food safety. See Exhibit O for state specific laws that may apply to you.

As an employer, you must comply with laws on minimum wages, overtime, maximum working hours, working conditions, unlawful discrimination, restricting employment of children and other labor laws and the Department of Homeland Security’s E-Verify program, if required by the facility owner.

You will compete with quick service restaurants and other food alternatives where your Food Service Counter is located. You will also compete with company owned stores (if any are located near you, see Item 20), other Food Service Counters, restaurants and people’s other choices for dining and shopping for food.

## **ITEM 2 BUSINESS EXPERIENCE**

Member of the Board, Chief Executive Officer, President, Secretary and Chief Financial Officer: Jeffery Seiler

Mr. Jeffery Seiler has been a member of our Board of Directors and our Chief Executive Officer, President, Secretary and Chief Financial Officer since November 2018. He also serves as a Director and the Chief Executive Officer, President, Secretary and Chief Financial Officer of AFCC, a Director and Secretary of AFCDC, and a Director, President and Secretary of AFCPL, all since November 2018 in Rancho Dominguez, California. ~~Mr. Seiler was our Vice President from October 2007 to November 2018, and our Director of Franchising and Director of Compliance from September 2005 to November 2018 in Rancho Dominguez, California. Mr. Seiler was also Vice President of Advanced Fresh Concepts Food Service Corp., a California corporation, from 2013 until it was divested in October 2018, the Vice President of AFCPL from April 2015 to November 2018, and Vice President of AFCDC from April 2016 to November 2018, all in Rancho Dominguez, California. Until June 2017, Mr. Seiler was Vice President of Advanced Fresh Concepts International, the predecessor of AFCPL, in Rancho Dominguez, California.~~

Member of the Board: Yohei Ogawa

Mr. Yohei Ogawa has been a member of our Board of Directors since November 2018. Mr. Ogawa is also the Chairman of the Board of Directors for AFCC and a Director of AFCPL since November 2018. Mr. Ogawa is also the Senior General Manager of Zensho Holdings in Tokyo, Japan since June 2016.

General Manager of Product Management: Noriyuki Honda

Mr. Honda has been the General Manager of Product Management for AFCFC since June 2022. Mr. Honda served as the General Manager of Research and Development from August 2021 to June 2022. Mr. Honda served as Chief Operating Officer for Zensho Food Indian Private Limited in Delhi, India from April

2019 to March 2021. Mr. Honda served as the Senior Manager for Zensho Holdings in Tokyo, Japan from April 2018 to September 2021. ~~Mr. Honda served as Chief Operating Officer for Zensho Restaurant (Guangzhou) Co., LTD. in Guangzhou, China from March 2014 to May 2018.~~

General Manager of Research and Development and Member of the Board: Masahiko Tajima

Mr. Tajima has been our General Manager of Research and Development since June 2022 and a member of our Board of Directors since November 2018. Mr. Tajima served as our General Manager of Product Development from January 1, 2021 to June 2022. Mr. Tajima served as our General Manager of Research and Development in Rancho Dominguez, California from June 1998 to December 2020.

General Manager of Business Development: Daniel Hayes

Mr. Hayes has been our General Manager of Business Development since March 2023. Mr. Hayes served as General Manager and owner of Hayes Companies LLC in Irvine, California from December 2015 to February 2023.

General Manager of Compliance: Gerardo Siordia Posadas

Mr. Posadas has been our General Manager of Compliance since July 2020. Mr. Posadas was unemployed from March 2020 to July 2020. Mr. Posadas served as a Franchise Business Consultant for Yogurtland Franchising Inc. in Irvine, California from February 2019 to March 2020. ~~Mr. Posadas served as a Global Business Consultant for Yogurtland Franchising Inc. in Irvine, California from August 2016 to February 2019.~~

**ITEM 3 LITIGATION**

**PENDING LITIGATION:**

**A. Pending Cases We Brought Against Franchisees in Fiscal Year Ending March 2023:**

**None**

**B. Cases Pending Against Us:**

**Claim of P. Mung**

*Pau Sian Mung v. Advanced Fresh Concepts Franchise Corp.* (United States District Court, Northern District of Georgia, Case No. 1:23-cv-04154, removed September 14, 2023 – “District Court Lawsuit”); *Pau Sian Mung v. Advanced Fresh Concepts Franchise Corp.* (Superior Court of Newton County, State of Georgia, Case No. SUCV2023001844, filed August 11, 2023 – “State Court Lawsuit”); and *P. Mung v. Advanced Fresh Concepts Franchise Corp.* (American Arbitration Association, Case No. 01-23-0004-3850, initiated October 5, 2023 – the “Arbitration”). On July 21, 2023, AFC terminated its franchise agreement with Pau Sian Mung (“Claimant”) pursuant to the provisions of the franchise agreement based on Claimant’s unlawful trespass onto another franchise operator’s premises and theft from another franchise operator. On August 11, 2023, Claimant initiated the State Court Lawsuit. On September 14, 2023, AFC removed the State Court Lawsuit to District Court Lawsuit. After AFC filed its motion to dismiss or stay the District Court Lawsuit pending arbitration, Claimant stipulated to a stay of the District Court Lawsuit and the District Court entered an order staying the matter pending an award issued in arbitration. On October 5, 2023, Claimant initiated the Arbitration with the American Arbitration Association (“AAA”). Claimant’s arbitration demand asserted his franchise agreement was wrongfully terminated by AFC and claimed causes of action for breach of contract and breach of the covenant of good faith and fair dealing. Claimant’s arbitration demand sought damages “in excess of \$150,000.” On March 1, 2024, Claimant dismissed without prejudice the District Court Lawsuit against AFC.

On March 8, 2024, the Arbitration was dismissed without prejudice by AAA because Claimant failed to pay the deposit amount of \$1,250.00 to AAA. AFC denies any wrongdoing and fully intends to defend itself, as needed, against all causes that may be pursued by Claimant.

None

## **CONCLUDED LITIGATION:**

### **Claim of Y. Changs Sushi LLC**

~~*Y Changs Sushi LLC v. Advanced Fresh Concepts Franchise Corp, Ralphs Grocery Company* (Superior Court of California, County of Los Angeles, Case No. 21STCV42102, filed November 15, 2021—“*Y Chang Matter*”). On November 13, 2016, Y Changs Sushi LLC (“Plaintiff”) and AFC executed a franchise agreement for Plaintiff’s operation of AFC Food Service Counters. On January 15, 2021, Plaintiff, in the name of “Y Changs Sushi LLC,” and AFC signed an addendum to the franchise agreement for Plaintiff’s operation of an AFC Food Service Counter within a Ralphs market, located in Sherman Oaks, California (“Location”). Plaintiff thereafter began AFC franchise operations at the Location. In March of 2021, AFC discovered Plaintiff committing, among other things, serious and material health and safety violations. As a result, on March 18, 2021, Plaintiff was provided written notice of AFC’s election to immediately terminate Plaintiff’s franchise agreement and Plaintiff’s franchise operation ended. On November 15, 2021, Plaintiff filed its complaint and initiated the Y. Chang Matter. The operative complaint alleges causes of action for breach of contract, breach of the implied covenant, violation of the California Franchise Investment Law, violation of the California Franchise Relations Act, intentional interference with contractual relations and civil conspiracy. For each cause of action, Plaintiff alleges damages in the amount of “\$250,000 or in a greater amount as may be proven at the time of trial.” Plaintiff also seeks exemplary damages, attorney’s fees and costs of suit. AFC has not answered the complaint but has appeared in the Y Chang Matter. Specifically, on February 23, 2022, Plaintiff and AFC stipulated to a stay of the Y Chang Matter and its submission for resolution in arbitration (“Stipulation”). On May 20, 2022, the court entered an order submitting the dispute into arbitration. On October 20, 2022, the American Arbitration Association (“AAA”) notified AFC that Plaintiff had initiated an arbitration with the AAA (“Arbitration”) against AFC and Ralphs Grocery Company (“Ralphs”). The Arbitration demand asserts a wrongful termination of the franchise agreement and identifies a claim amount of \$250,000. A single arbitrator was agreed to and was appointed. After a mediation held with all the parties on May 25, 2023, the Plaintiff dismissed with prejudice the entire Y Chang Matter and Arbitration. AFC paid Plaintiff nothing for the dismissals.~~

### **Claim re Pau Sushi Catering, LLC**

~~*Pau Sushi Catering, LLC v. Advanced Fresh Concepts Food Services Corp.* (American Arbitration Association, Case No. 01-19-0001-4357, filed May 10, 2019). Pau Sushi Catering, LLC (“Claimant”) operated an AFC Food Service Counter within a Publix Supermarket in the Orlando, Florida, area until July 19, 2018. Claimant’s franchise agreement was terminated when we discovered Claimant’s operations violated our zero tolerance policy for using carbon monoxide treated tuna in products at Publix Supermarket locations. Claimant’s arbitration demand contends the immediate termination amounted to a breach of the franchise agreement by us and that our actions also constituted fraud, negligent misrepresentation, unlawful business practices and racial discrimination, among other claims. Claimant asserted its damages exceeded \$500,000. The arbitration was initiated on May 10, 2019. On August 4, 2020, Claimant and AFC agreed in writing to resolve the arbitration for mutual general releases and the dismissal of the arbitration with prejudice. On August 17, 2020, the arbitration was ordered closed based on the August 4, 2020 agreement.~~

### **Claim of Cherry Lee**

~~*Cherry Lee v. Soe Tun and Advanced Fresh Concepts Food Services Corp.* (Contra Costa County Superior Court Case No. C18-01063, filed May 23, 2018, dismissed with prejudice on January 7, 2019). Plaintiff was employed as a sushi chef by our franchisee, Soe Tun, between August 2017 and February 2018. On May 23, 2018, Plaintiff initiated this action against our former affiliate, Advanced Fresh Concepts Food Service Corporation (“AFCFSC”) and Soe Tun alleging claims for hostile work environment, retaliation, failure to~~

prevent harassment/retaliation, negligent supervision, sexual battery and a violation of section 226 of the Labor Code. The full scope of the alleged damages was uncertain but included claims for emotional/physical distress and approximately 3 months of lost income of \$1,600 per month. Plaintiff's principal theory against AFCFSC was based on Soe Tun's and AFCFSC's alleged joint employment with Soe Tun of Plaintiff. Soe Tun and AFCFSC answered the complaint and denied the allegations. On December 21, 2018, Plaintiff executed a settlement agreement and agreed to settle her dispute for a total payment of \$5,000.00 in exchange for a dismissal with prejudice of AFCFSC, general release of AFCFSC and all its affiliated entities, including Advanced Fresh Concepts Corp. and an express acknowledgement in writing that the settlement did not constitute any evidence or admission of wrongdoing by AFCFSC. The dismissal with prejudice of AFCFSC was entered on January 7, 2019.

### **Claim of Pilrang Owa**

*Advanced Fresh Concepts Franchise Corp. v. Pilrang Owa d.b.a. Sakura Foods Everett L.L.C.* (American Arbitration Association Case No. 01-16-0002-8871, Los Angeles, California, filed July 19, 2016). We initiated an arbitration proceeding against Pilrang Owa doing business as Sakura Foods Everett L.L.C. ("Owa") seeking an order finding and declaring Owa owned and operated an AFC Food Service Counter by and through her own, independently run company, Sakura Foods Everett, L.L.C. and therefore was not our employee ("Owa Arbitration"). We did not seek damages with respect to the relief requested, but recovery of all fees and costs incurred for the dispute. Thereafter, Owa filed a counter-claim against us in the arbitration proceeding seeking \$6.8 million dollars in damages. We filed the arbitration demand after learning that Owa filed a motion to amend her complaint in the action entitled *Pilrang Bae Owa v. Fred Meyer Stores, et al.* (Superior Court of Washington for King County, Case No. 16-2-09786-3 SEA, filed April 16, 2016 - the "State Court Action") to include us as a defendant on the basis that she was allegedly our employee. Owa contended in the State Court Action that we discriminated against and harassed her when conducting inspections of her franchise operation and by sending her notices to cure breaches of the franchise agreement. Owa claimed the discrimination and harassment was based on a protected classification in violation of Washington state laws and, based thereon, sought unspecified amounts of monetary damages. We contended Owa signed a franchise agreement with us whereby she was an independent business owner that operated a Food Service Counter and was not our employee. On August 5, 2016, Fred Meyer Stores removed the State Court Action to the U.S. District Court, Western District of Washington (Case No. 2:16-cv-01236 - the "First District Court Action"). On September 9, 2016, we moved to compel arbitration of Owa's claims in the First District Court Action. On November 28, 2016, Owa filed a separate virtually identical action in the U.S. District Court, Western District of Washington (Case No. 2:16-cv-01832 - "Second District Court Action"). On December 15, 2016, the court granted our motion to compel resolution of all claims between the parties within the Owa Arbitration, stayed the First District Court Action pending the results of the Owa Arbitration and dismissed the Second District Court Action. On November 28, 2017, the arbitrator issued a comprehensive final award in our favor and against Owa ("Final Award"). The Final Award included an award of attorney's fees and costs to us in the amount of \$373,126.98. On May 29, 2018, the District Court confirmed the Final Award and entered it as a judgment in our favor. On June 23, 2018, Owa appealed the arbitrator's ruling to the Ninth Circuit Court of Appeals, Case No. 18-35531. On October 5, 2018, AFC and Owa reached an agreement to settle their dispute and executed a formal settlement agreement on October 16, 2018, whereby Owa would dismiss her appeal with prejudice, AFC would execute a satisfaction of judgment as to the Final Award for filing in the First District Court Action and, except as to the judgment entered in the First District Court Action, the parties would mutually and generally release each other. On November 20, 2018, an order entering Plaintiff's dismissal of her appeal was entered and AFC conveyed the satisfaction of judgment form to Plaintiff for her filing and use in the First District Court Action with respect to the Final Award.

### **Claim of Zaw Min Oo**

*Z. Oo v. Advanced Fresh Concepts Franchise Corp., et al.* (American Arbitration Association Case No. 01-15-0005-1350, Los Angeles, California, filed September 24, 2015). Claimant Z. Oo initiated an arbitration proceeding against Ryuji Ishii and AFCC alleging damages based on breach of contract for: (i) commission rates that were inaccurate or improperly reduced; (ii) improper establishment of new franchise locations within

the vicinity of Claimant's franchise operations; (iii) improper and/or unauthorized deductions from royalty payments; and (iv) improper and/or unauthorized charges for franchise renewals. Claimant sought total damages of \$990,000. On February 24, 2016, Mr. Ishii and AFCC were dismissed and we (Advanced Fresh Concepts Franchise Corp) were substituted into the matter as respondent. We answered the Arbitration Demand denying the allegations, any wrongdoing and any damages sustained by Claimant. On March 8, 2016, we filed a counter-arbitration demand for declaratory relief seeking an order terminating Claimant's franchise operations for his breach of the franchise agreement. We also simultaneously sought a preliminary restraining order suspending all of Claimant's franchise operations pending a final decision on our request for declaratory relief. On April 13, 2016, the Arbitrator issued a preliminary injunction against Claimant, suspending his franchise operations pending resolution of our declaratory relief claim for termination. Claimant then surrendered his operations to us on April 14, 2016. A hearing on the merits was held on April 18-19, 2016. On May 12, 2016, an Award was issued for us and against Claimant with regard to our declaratory relief claim seeking the termination of Claimant's franchise operations. However, the Award also granted Claimant \$280 in damages for tablet charges, \$50 for on-line ordering charges and a nuisance award of \$1,000 for automated tuna shipments. The Arbitrator also awarded Claimant his administration costs for the arbitration in the amount of \$11,200. Finally, the Award found that neither party qualified as a prevailing party, including on our counter-arbitration demand and therefore denied all parties any recovery of attorney's fees and costs.

### **Claim of Ei Ei Chaw**

*Ei Ei Chaw v. Advanced Fresh Concepts Franchise Corp., et al.* (American Arb. Assoc. Case No. 72-20-1400-0274, California, filed February 6, 2014). In October, 2013, Wegmans Supermarkets complained that, among other things, E. Chaw, a franchisee at Wegmans' store in Williamsville, New York, was reusing expired products. We terminated E. Chaw's franchise. Wegmans then terminated our franchise operation in their Williamsville store because of E. Chaw's misconduct. E. Chaw brought this arbitration against us, claiming wrongful termination, breach of contract and breach of the covenant of good faith and fair dealing, seeking \$150,000 in damages, attorney's fees and costs of suit. We denied E. Chaw's allegations and filed a counter-claim against E. Chaw for losses we sustained because of his misconduct, seeking up to \$150,000 in damages. In March 2015 the parties settled their dispute wherein Chaw conceded that his termination was proper and both sides agreed to dismiss their respective claims against the other in exchange for a mutual general release.

Other than these actions, no litigation is required to be disclosed in this Item.

### **ITEM 4 BANKRUPTCY**

No bankruptcies are required to be disclosed in this Item.

### **ITEM 5 INITIAL FEES**

If you are a new franchisee obtaining a full time location, you pay us an initial franchise fee of \$6,250. In addition, you pay us a \$100 credit and background check fee when turning in your application, up to \$2,300 for our training program for each of your principal owner(s), up to \$2,300 for each manager you bring with you to the initial training, up to \$275 per person for the ServSafe® Food Protection Manager Certification (for you and your managers), up to \$1,000 per person for drug, tuberculosis and criminal background testing and a manual lease fee of up to \$600 for each full service or part time Food Service Counter to be opened. You pay the training fee, ServSafe® training and examination fee and manual lease fee in a lump sum when you start training. You pay the drug, tuberculosis and criminal background test fee and/or the cost of other testing required by the facility owner after the tests/check is completed through deduction from your commissions.

If you are an existing franchisee with us obtaining a self-service or part-time franchise in addition to your existing full time location, there is currently no initial franchise fee for the self-service or part-time location (although we can implement such a fee in the future). If you want to open an additional full time

location, we charge the following for each additional full time location to be operated pursuant to your franchise agreement:

<b>Number of Months Remaining on Your Franchise Agreement (on effective date of the addendum)</b>	<b>Initial Fee Per Location</b>
48-60	\$6,250
36-47	\$5,000
24-35	\$3,750
12-23	\$2,500
Less than 12	\$1,250

You pay the initial franchise fee in a lump sum on signing each full time location addendum. There are no refunds or prorations if a location starts as a full time location and later is transformed into a self service or part-time location. However, if a location starts as a self service or part-time location and is transformed into a full time location, then you must pay our then current initial franchise fee for the full time location.

If you fail to complete our training program to our satisfaction or if you fail any required drug, tuberculosis or other chemical and disease testing and/or criminal background investigation, we may cancel the franchise agreement.

Before opening, we require you to purchase a label machine consisting of a tablet and printer and warranty\* costing up to \$1,699. The cost of the label machine will vary, depending on the type of tablet, printer and warranty you decide to purchase in accordance with the requirements in the manual. We also require you to purchase equipment and small wares costing up to \$46,000, opening food inventory which depending on what you order can range from \$8,000 to \$24,000 at a full-time or part-time service location and \$1,250 to \$5,000 at a self-service location, scanner costing up to \$500, ongoing inventory which for 3 months can range from \$5,000 to \$18,000 at a full-time or part-time service location and \$1,000 to \$5,000 at a self-service location, signage which depending on your location can cost up to \$1,000, up to \$1,800 in opening assistance fees if we stay at your location 4 additional days beyond the first 3 for on-site training and up to \$350 for four additional sets of uniforms.

None of these fees is refundable. Except as indicated above, these initial fees are uniform to all new franchisees, though we may change them in the future.

If you are an entity, each of your owners who are individuals must sign a personal guaranty. The guaranty is on the signature page of the franchise agreement and each applicable addendum.

If you purchase an existing location from us, we will charge you \$1,000 to \$100,000 for the Food Service Counter business, assets, equipment and value of the established market of the Food Service Counter, as we determine at our sole discretion.

We may finance some of the initial franchise fee(s) and various other expenses that you incur with us. (See Item 10.)

\* These items are not required when you purchase a self-service franchise, because you already have these items in your full-time or part-time location.

**ITEM 6 OTHER FEES (1)**

<b>Name of Fee</b>	<b>Amount</b>	<b>Due Date</b>	<b>Remarks</b>
Compensation to Franchisor (2), (3)(4)	Varies. Typically 25% to 27% of Gross Sales to the	Monthly	Our (or our parent's) agreement with the store says they keep a percent of

Name of Fee	Amount	Due Date	Remarks
	store or other facility where you are located, and 8% to 11% of Gross Sales to us. (2)(4)		your gross sales (25%, for example). We keep a percent (8%, for example). We return the rest to you (typically, 67%) less amounts we deduct for other charges to you. These percentages can vary, but the amount paid to us will generally not exceed 11% of Gross Sales. See Footnotes 3 & 4.
Banners, logo items and displays (3)(5)	Varies	After ordered	These are items like umbrellas or carved wood signs. Prices vary depending on the type of item and supplier. You pay us if you buy these optional items from us.
Additional Training (3)	Up to \$2,300 per person	After training	If you elect and request us to train your managers at our headquarters or other location we designate. This fee will vary, depending on whether you request us to train your manager(s) in both steam table and sushi training or only sushi training.
On-site additional Training (3)	Up to \$450 per day	After training is completed	If we go to your site to train you and/or your managers.
Failure to Attend Additional Training (3)	\$250	Payable if you fail to attend required training	If you fail to attend any required training, we may assess this fee and deduct it from commissions payable to you.
ServSafe® Food Protection Manager Training and Certification (3)(6)	Up to \$275 per person	After course is taken	Charge for training and certificate for you or your managers.
Testing and Criminal Background Checks (3)	Up to \$1,000 per person. Typically, around \$100 per person (if only background check required).	After test/check is completed	Charge for conducting drug and tuberculosis tests and criminal background checks on you and your personnel.
Manuals Lease Fee (3)	Up to \$600 for each full-time or part-time Food Service Counter you operate	After manuals provided.	You pay a lease fee of \$100 for the Operating Manual, \$100 for the Standard Sanitation Operating Procedure and Methods Manual, up to \$200 for the Sushi Recipe Guide and \$100 for the Steam Table Operating Manual and Wild Blue Recipe Guide (if applicable to you) for each full or part time location you operate. The fee is refunded when you return the manuals to us within 30 days of the expiration or termination of your location. Otherwise, there is no refund.
Customer Satisfaction Fee (3)	Up to \$1,000 per complaint	On demand	Charge to compensate us for our efforts in addressing and resolving customer complaints against you or your franchise.

<b>Name of Fee</b>	<b>Amount</b>	<b>Due Date</b>	<b>Remarks</b>
Account Broker Fee	\$100 - \$500 per quarter for each Food Service Counter you operate.	Quarterly	If we pay a fee for the right to locate the Food Service Counter in the facility or store, you reimburse us for the amounts paid, not to exceed \$500 per quarter for each Food Service Counter subject to this fee.
Additional Uniforms (3)	Up to \$350	On demand	If you want to purchase additional uniforms. Cost is for four sets of uniforms.
Default Charge (3)	Up to \$1,000 per default	On request	You pay this fee if you default on your obligations as specified in the operating manuals or franchise agreement.
Web and Data Access Charge (3)	Up to \$100 per month for each Food Service Counter you operate.	Monthly	You pay this fee to gain access to our website pages that let you submit purchase orders online as well as information on new products, product specifications, tablet data and other information. This fee also includes access to our inventory tracking software, which lets you and us track the daily inventory of products made at your Food Service Counter.
Pricing Labels (3)	Our actual cost incurred (estimated to be \$500 per item for which price is changed)	When you decide to charge different prices requiring us to print special price labels	To charge prices that differ from pricing we print on labels, the label machine must be reprogrammed. You pay or reimburse the amount charged to us by the vendor for our computer programming to print labels with pricing you want.
Product Purchases – Ancillary Charges (3)	Varies	After shipping	You buy food and other items from us, our parent, our affiliate or authorized suppliers. You also pay freight, and other ancillary charges.
Reimbursement for Employee Wages Paid (3)	Varies	If and when required by the facility owner.	If the facility owner, due to labor contracts or otherwise, requires your Food Service Counter(s) employees to be employed directly by the facility owner, and we are asked to reimburse the facility owner for these employment costs, we will then deduct such payments from the amounts due to you.
Transfer Fee (3)	\$1,500 per location	When you ask us to consent.	You must pay us this fee for each location to be sold.
Transfer to Entity Fee (for individuals wishing to transfer their interest in the franchise agreement to a newly formed entity controlled by them) (3)	No charge for first request to transfer to entity. \$250 for each subsequent request.	When you desire to transfer your interest in this agreement to an entity you control.	You must pay us this fee each time you seek our consent to you transferring your interest in the franchise agreement to another entity controlled by you.

<b>Name of Fee</b>	<b>Amount</b>	<b>Due Date</b>	<b>Remarks</b>
Renewal Fee (3)	Our then current initial franchise fee for new franchisees.	When you renew your agreement for another term.	You pay this fee to renew your agreement for another term.
Audit (3)(7)	1% per month (12% per year) interest; cost of audit	When we request, following the audit	You pay this if an audit by us indicates a discrepancy in your books or under-reporting of sales by 1% or more for any period.
Management Fee (3)	Up to \$450 per day per person we send	When we request.	When you open, if we stay with you after three days (we don't charge for the first three days); or if we operate the business for you for any period of time.
Direct Deposit Fee (3)	\$5 per month	On demand	We make all payments to you via direct deposit. You will receive monthly statements via email or you may access the monthly statements online using the AFC Connect portal. In rare circumstances, we may need to send your commissions via a manual check. In those circumstances, we will send these via UPS at a cost of up to \$25 per month or at your option via regular mail at no additional cost.
Shipping Administrative Fee (3)	Up to 2 ½% of total purchase price	On demand	We charge this fee to defer our administrative and other costs of shipping products to your Food Service Counter.
Insurance (3)(8)	Varies	When we request.	If you don't get insurance we require, then we can get it for you (though we don't have to) and you must pay for the insurance or reimburse us or we can deduct the cost from amounts we owe you.
Indemnification (3)	Unknown	On demand.	You indemnify us concerning your Food Service Counter and all government imposed taxes, fees, charges, fines, and penalties imposed on your operations.
Expenses Caused by Breach (3)	Unknown	On demand	You must pay us all expenses we incur due to your breach or default.
Request for Approval of New Product, Supplier or Vendor (3)(9)	\$500 plus our out of pocket investigation expenses	If requested	If you request to sell a non-approved product, or use a non-approved supplier or vendor, you pay our investigation expenses and a fee of \$500.
Mailing and Reproduction Costs (3)	Varies	On demand	If we send you materials such as manuals or marketing materials for your location, we may charge you a reproduction, service and handling charge up to \$100 per shipment.

Name of Fee	Amount	Due Date	Remarks
Warranty Service for Labeling Machine (3)	Varies, currently \$99 for the first two years or \$199 for the first three years	On demand	To renew your labeling machine warranty after the first two or three years of operation, respectively.
Lab Test (3)	Up to \$500 per sample tested	On demand	If we order a lab test to examine food in your facility, you must pay up to \$500 for each sample tested.
Early Termination Fee (3)	\$1,500 per location	On demand	If you abandon any location or if your franchise agreement or any addendum is terminated before the end of the term, we can assess this fee against you for each location terminated or abandoned.
Advertising Cooperative Fee	Varies	On demand	If an advertising cooperative is formed in your area, you must participate in and contribute to the cooperative according to its procedures.
Administrative Fee (3)	Up to \$100 per garnishment/levy request	On demand	Reimbursement for our costs and expenses for complying with tax levies and wage garnishments issued against you or your owners.
Promissory Note Payments (if applicable)	Varies	Monthly	Payable if you buy an existing location from us and request financing. See Item 10.
Late Fee under Promissory Note	1% of delinquent amount (or highest rate allowed by law, whichever is lower, which is currently 10% annually in California)	On demand	Payable if you are late in paying monthly Promissory Note Payments more than 10 days.
Third Party Audits and Charges	As incurred	On demand	Payable if we are charged by third parties for audits, inspections, fines and/or charges imposed or levied against the Food Service Counter, including food safety, facility audits and customer service.
Third-Party Delivery Fee (3)	Varies, 0% to 6.5% of Gross Sales of delivered food	Monthly	Our (or our parent's) agreement with the store or other facility may allow that they keep a percent of Gross Sales to reimburse the store or facility for third-party delivery fees they incur for delivery of your products, such as through Grubhub and DoorDash. If a Third-Party Delivery Fee is assessed for food ordered from you, it will be deducted from the amount returned to you as follows:  1. The full Third-Party Delivery Fee will be deducted from the amount paid to you; or

Name of Fee	Amount	Due Date	Remarks
			<p>2. At our discretion, we can agree to share the cost of the Third-Party Delivery Fee with you; or</p> <p>Alternatively, the store or facility may directly charge you for the Third Party Delivery Fee.</p> <p>See Footnote 3.</p>
Local Store Marketing Expense	Varies, 0% to 0.25% of Gross Sales to the store or other facility where you are located	Monthly	<p>Payable if the store or other facility charges us for local marketing initiatives for the Food Service Counter, such as on-site advertisements, coupon offers, social media, mailers and other advertising programs.</p> <p>See Footnote 3.</p>

Footnotes:

- (1) All fees are imposed by and are payable to us, our affiliate or to AFCC. Fees are uniformly imposed. All fees are non-refundable. If you are an entity, each of your owners who are individuals must sign a personal guaranty. The guaranty is on the signature page of the franchise agreement and each addendum. As of March 2023, there were no purchasing or advertising cooperatives. Accordingly, franchisor owned outlets did not have voting power on any fees imposed by such cooperatives.
- (2) “Gross Sales” means all sales and revenues whatsoever derived from your business, in any form, except that sales tax, credits or refunds are not part of Gross Sales.
- (3) Payable by deduction from our payments to you. The deduction appears on a monthly statement.
- (4) You do not receive direct payment from your sales. All sales will be through registers owned or operated by the facility owner. The facility owner forwards payments to us, less any amount to be retained by them under their agreement with us. We retain a compensation fee together with other charges owed to us or AFCC. We return the rest to you. These amounts may vary according to the facility. The amounts are typically 62% to 67% paid to you (less amounts you owe us), 25% to 27% to the facility owner and 8% to 11% to us (plus any amounts you owe us.) If we negotiate a different amount to the facility owner then the percentage to you and us may be different. More often, if different, you will receive a higher percentage, but not always. When the percentage to you is lower, it is usually a location we expect to have a higher volume of sales. As an example, at a prominent university the facility owner retains 30%. We retain 6% and the operator receives 64%, but it is a higher volume location. We will pay you your percentage usually within 30 days after receiving the sales report and payment for the applicable period from the facility owner. Our sole responsibility is to remit to you the agreed commission percentage on amounts actually received from the facility owner. We have no responsibility under any circumstances to pay any commission to you on amounts not received from the facility owner. If we pay your commission in any given month before receiving payment from the facility owner and the facility owner does not pay us as required, you must reimburse us the commissions paid to you. You must also reimburse us any amounts paid to you, if we discover such amounts were paid in error, for example, if the facility owner requests a refund due to overpayment in any given period or if we otherwise overpay you. We can withhold any overpayment from future payments due to you.

- (5) Your cost may vary because there are different suppliers of logo items and banners and costs depend on the particular marketing tools selected. Other items could include umbrellas and/or carved wooden signs. Typically, prices are in the range of \$250 to \$1,000.
- (6) We and many jurisdictions require you to have a food safety certificate to operate a business serving food to the public. Every Food Service Counter must have at least one ServSafe® Food Protection Manager certified person onsite during all operating hours. We charge this fee when we train you and your manager.
- (7) “Discrepancy” means any discrepancy between data reported by the facility owner and you. The data reported by the facility owner will control. “Underreporting” means there were sales not included in your sales report to us.
- (8) If we choose, we can arrange to get insurance on your behalf, although we have no obligation to do so. If we do, you reimburse us.
- (9) If you want to offer something we haven’t approved or buy from a supplier we haven’t approved, we can charge you or the supplier for expenses we incur in our investigation. The fee will depend on the extent of the investigation needed. You must notify us in writing and provide us samples and other information we need to check out the product or supplier. See Item 8.

**ITEM 7 ESTIMATED INITIAL INVESTMENT**

**YOUR ESTIMATED INITIAL INVESTMENT**

**ESTIMATED INITIAL INVESTMENT FOR ONE NEW FULL-TIME FOOD SERVICE COUNTER OR PART-TIME FOOD SERVICE COUNTER LOCATED IN A GROCERY STORE OR OTHER LOCATION OWNED BY A THIRD PARTY(1)**

<b>Item</b>	<b>Amount</b>	<b>Method of Payment</b>	<b>When Due</b>	<b>To Whom Paid</b>
Initial Fee (2)	\$6,250 (\$0 for a Part-Time Location)	Cash on signing.	On signing franchise agreement.	AFC
Credit and Background Check Fee (3)	\$100	Cash	When turning in application to become a franchisee.	AFC
Tuberculosis, Drug Testing and Criminal Background Checks (4)	\$100 - \$2,000	We deduct from commissions we pay you.	Shortly after opening.	AFC
Training Fee (5)	\$1,000 - \$4,600	Cash	Start of training.	AFC
Training Fee for your managers (6)	\$0 - \$2,300	Cash	Start of training.	AFC
ServSafe® Food Protection Manager Training, Testing and Certification (7)	\$275 - \$550	Cash	Before opening for business.	AFC
ServSafe® Allergen Awareness Training and Testing (7)	\$10 - \$30	Cash	Before opening for business.	ServSafe®
Travel and Living Expenses while Training (8)	\$1,600 - \$11,500	As incurred.	During training.	Airline, hotel, restaurant

Item	Amount	Method of Payment	When Due	To Whom Paid
Operating Manual/SSOP/ Sushi Recipe Guide/ Wild Blue Recipe Guide/ Steam Table Manual Fee (9)	\$300 - \$600 (\$100 per manual; up to \$200 for the Sushi Recipe Guide)	Cash	Start of training (for new franchisees) and when opening another location (for existing franchisees).	AFC
Purchase of already existing AFC operated Food Service Counter from us (10)	\$1,000 - \$100,000	Cash.	On closing if you buy an existing location from us.	AFC
Opening Food Inventory (11)	\$8,000 - \$24,000	Cash before opening, or we can deduct from commissions we pay you.	Before opening business or over time by deduction from commissions we pay to you.	AFC
Signage (12)	\$0 - \$1,000	Cash	Before opening business.	AFC
Opening Assistance (13)	\$0 - \$1,800	Cash or we deduct from commissions we pay you.	Shortly after opening for business or over time by deductions from commissions we pay you.	AFC
Labeling machine (Tablet and label printer) and inventory scanner (14)	\$900 - \$2,000	Cash on purchase, or we can deduct from commissions we pay to you; supplier will require cash.	Before opening for business or over time by deduction from commissions we pay to you.	AFC
Warranty Service for labeling machine (Tablet) (15)	\$99 - \$199	Cash or we deduct from commissions we pay you.	Before opening for business or over time by deduction from commissions we pay you.	AFC
Data and Web Access Fee for Tablet (16)	\$120 - \$225	Cash or we deduct from commissions we pay you.	Shortly after opening and over time by deduction from commissions we pay you.	AFC
Equipment and Small Wares (17)	\$14,700 - \$46,000	Cash or we deduct from commissions we pay you.	Before opening for business or over time by deduction from commissions we pay you.	AFC or suppliers
Insurance (per location) (18)	\$700 - \$5,000	Cash	When incurred.	Insurance company/AFC if we obtain the insurance on your behalf
Additional Uniforms (19)	\$0 - \$350	Cash	Before opening.	AFC

Item	Amount	Method of Payment	When Due	To Whom Paid
Licenses & Permits (20)	\$300 - \$2,000	Cash or by deductions from commissions we pay you.	Before or shortly after opening.	Government Agencies/AFC if we assist in obtaining these for you
Computer and Internet Access (21)	\$150 - \$800	Cash	Before opening	Third parties
Additional Funds -3 months (22)	\$5,500 - \$25,000	As incurred	As incurred	employees, suppliers, utilities and AFC
Professional Advisor (23)	\$1,000 - \$2,000	Cash	When incurred before opening.	Your Professional Advisors
Account Broker Fee (24)(first quarterly payment per location)	\$0 - \$500	Cash	When incurred.	AFC
Total for a new full-time or part time Food Service Counter franchise (25)	\$41,104 - \$138,804 (if you do not purchase an existing AFC operated location from us) \$42,104 - \$238,804 if you purchase an existing AFC operated location from us (see FN 10)			
Total for existing franchisee adding a new full-time or part-time Food Service Counter (26)	\$38,119 - \$117,724 (if you do not purchase an existing AFC operated location from us) \$39,119-\$217,724 if you purchase an existing AFC operated location from us (see FN 10)			

Footnotes:

(1) This table provides estimates for one full or part-time Food Service Counter located inside a grocery store or similar location. This table estimates your initial investment from the period before your Food Service Counter opens for business, until about 3 months of operations. We used our experience in operating and working with franchisees to make these estimates. These are only estimates. Your expenses will be higher if you plan to operate more than one full-time or part-time Food Service Counter. We only permit you to operate a part-time location if you already own a full time location. Unless indicated otherwise, all amounts payable are non-refundable. See item 10 for financing we provide.

(2) We charge an initial fee for each full time location operated under the franchise agreement. Currently, we do not charge an initial fee for a part-time location. We determine the fee as follows:

Number of Months Remaining on Your Franchise Agreement (on effective date of the addendum)	Initial Fee Per Location
48-60	\$6,250

<b>Number of Months Remaining on Your Franchise Agreement (on effective date of the addendum)</b>	<b>Initial Fee Per Location</b>
36-47	\$5,000
24-35	\$3,750
12-23	\$2,500
Less than 12	\$1,250

You pay the initial franchise fee in a lump sum on signing each full time location addendum. The low estimate assumes you are an existing franchisee opening an additional part time location where no franchise fee is charged. The high estimate assumes you are a new or existing franchisee purchasing a full time location with 48 or more months left under your Franchise Agreement.

(3) You pay us the credit and background check fee when you provide us your completed application to become a franchisee. We do not charge this fee if you are an existing franchisee opening an additional location.

(4) Whenever we or the facility owner requests, you and your specified personnel must undergo drug, tuberculosis and other chemical and disease testing and/or criminal background investigation. The low estimate assumes a criminal background check for one person only. The high estimate assumes we or the facility owner require drug, tuberculosis and other chemical and disease testing as well as a criminal background investigation on two persons (you and one helper). If you fail any required drug, tuberculosis or other chemical and disease testing (which we or the facility owner requires) or any criminal background investigation we may cancel the franchise agreement and keep the fees paid to us.

(5) You pay us when training starts. If the franchisee is an entity, each of the franchisee's principal owners must attend our training. Principal owner means any individual who owns directly or indirectly 30% or more of the entity. If you (or your principal owner(s)) do not complete training to our satisfaction we may cancel the franchise agreement and keep the fees paid to us. There is no training fee for an existing previously trained franchisee adding an additional franchised location. The training fee includes the purchase price of 2 sets of uniforms. The low estimate assumes only one person receives sushi training. The high estimate assumes two persons receive steam table and sushi bar training.

(6) You pay this fee if you elect and request to bring a manager to our initial training program. The low estimate assumes you do not bring a manager to the initial training program. The high estimate assumes you bring a manager and the manager receives both steam table and sushi training.

(7) Every Food Service Counter must have at least one ServSafe® Food Protection Manager certified person onsite during all operating hours. We charge this fee when we train you and your manager. The low estimate is for training and cost of exam for one person taking the manager certification training. The high estimate applies if two people take the manager certification training. You must also enroll in the ServSafe® Allergen Awareness Training offered online by ServSafe® and pass the training exam before starting operations. We require proof that you completed the training and passed the exam prior to the last day of orientation training. See Item 11.

(8) Expenses to travel to location of training, which may be, in our discretion in California, and for hotel and meals during our training program (including food certification training). There is no training fee for an existing franchisee adding an additional location to their existing agreement. This estimate assumes you spend \$400 to \$1,000 for round trip airfare per person, 10 to 25 nights in a hotel at \$100 - \$150 per person per night, and \$200 - \$1,000 per person for meals. The low estimate assumes only you are trained in our 10 day sushi training program and that you already have a food manager certificate. The high estimate assumes you and a manager are trained in the 10 day sushi program, 2 day food certification training and 13 day steam table training programs.

(9) We charge a manual lease fee for each operating manual we provide to you. Currently, these are our Confidential Operation's Manual, Standard Sanitation Operating Procedure Sushi Recipe Guide, Wild Blue Recipe Guide and Methods Manual and Steam Table Manual (if applicable to your franchise). You will receive one set of manuals for each full-time and part-time Food Service Counter you operate. The manual lease fee you pay is refunded to you when you return the manuals to us on termination or expiration of your agreement.

(10) If you purchase an existing Food Service Counter from us or our parent, we will charge you our estimate of the fair market value of the Food Service Counter, taking into account the revenue, assets, equipment and value of the established market of the Food Service Counter sold to you. You will either sign our form of Asset Purchase Agreement attached as Exhibit I, if the sale includes the assets and equipment of the Food Service Counter, or our form of Food Service Counter Transfer Agreement, attached as Exhibit J, if the sale does not include the sale of assets and equipment of the Food Service Counter.

(11) Estimated cost for opening food inventory. We try to have the opening food inventory at your location when you arrive to start the business. The low estimate assumes you only operate a steam table Food Service Counter. The high estimate assumes your Food Service Counter offers both sushi and steam table foods.

(12) For a Food Service Counter in a grocery store, the store will usually purchase and own the display case(s), signage, refrigerator, ice machine, preparation tables, storage racks, sinks and similar equipment. The high estimate of \$1,000 assumes you buy optional decorative umbrella(s), sign(s) or banner(s) with words or slogans we approve.

(13) After opening, we will stay at your location up to three days at no charge. If you ask, or we determine, that our employee needs to stay longer, we charge you \$450 per day. The low estimate assumes that our employee does not stay beyond three days. The high estimate assumes our employee stays with you four additional days (7 days total).

(14) Estimated cost for Tablet and printer to print price and ingredient labels for the products you sell and an inventory scanner to track your daily inventory of products made at your food service center. The cost of the label machine will vary, depending on the type of tablet and printer you decide to purchase in accordance with the requirements in the manual. The low estimate assumes you already have the printer and scanner needed at your location. The high estimate assumes you are required to purchase a Tablet, printer and inventory scanner.

(15) Estimated cost for warranty service for the first 24 months or for the first 36 months, respectively for the labeling machine.

(16) Estimated 3 month cost for the data and web access fee for the Tablet you purchase, currently \$40 per month. The high estimate assumes fee increases to \$75 per month.

(17) Estimated cost for smallwares and additional equipment consisting of items like a rice cooker, rice sheeter, storage containers, utensils, heated display case, delivery containers, refrigerators, steam table equipment (if required for your franchise), cooking equipment (if required for your franchise), Perfect Fryer, TurboChef Oven and related items.

(18) Estimated one year premium for required insurance. Insurance premiums may vary based on sales. If we pay on your behalf, you reimburse us.

(19) Estimated cost for four additional uniforms, including a hat, a coat and an apron beyond those you receive at the initial training. Low estimate assumes you choose not to purchase additional uniforms. The high estimate assumes you purchase these additional uniforms.

(20) Estimated costs for retail food license and business license which typically must be obtained from the City, County and/or State. At our election, we have the right, but no obligation, to obtain any required licenses and permits in your name. You grant us a power of attorney to apply for any required licenses, permits and any renewals of these for your food service counter(s). You reimburse us for any costs and fees incurred by us in applying for these licenses and/or permits on your behalf.

(21) Estimated costs for computer and Internet access. The low estimate assumes you already own a computer or laptop capable of Internet access and must only pay for Internet service through your preferred provider. The high estimate assumes you purchase a computer with Internet connectivity capabilities and Internet service. This estimate is for the first 3 months, but your Internet service payments will be ongoing to your service provider.

(22) We recommend that you have some additional funds for opening cash and expenses to cover entity formation costs, three months of operations, employee salaries (including yourself), supplies, administrative costs and funds of on-going inventory purchases for the first 3 months of operations. This estimate includes the Direct Deposit Fee of \$5 per month.

(23) Estimated charges for you to consult with independent professional advisors like a lawyer and CPA.

(24) The low estimate assumes you are in a facility or store where no account broker fee need be paid. The high estimate assumes you are in a location where an account broker fee must be paid. This fee is only paid if we pay a fee for the right to locate the Food Service Counter in the facility or store. You reimburse us for the amounts paid, not to exceed \$500 per quarter for each Food Service Counter subject to this fee.

(25) A new franchisee will not achieve the low estimate of zero in any category where zero is indicated, except possibly training fee for managers (if no managers are trained) additional uniforms (if no additional uniforms are purchased) and opening assistance (see footnotes 5, 18 and 13). The estimated range for a new franchisee is based on the low estimates from these footnotes, and a high that is the sum of the high estimates in each category.

(26) The initial investment for an additional location is similar to a new franchise, except an existing franchisee adding an additional location may possibly achieve a low estimate of zero in one or more categories. The estimated range for an existing franchisee adding an additional location assumes that the low estimate of zero will be achieved for: a) the credit and background check fee; b) tuberculosis, drug testing and criminal background checks; c) ServSafe® Food Protection Manager Training, Testing and Certification; d) ServSafe® Allergen Awareness Training and Testing; and, since there is no further initial training for you or your managers, e) training fees for your or your managers; and f) travel and living expenses during training for you or your personnel. Thus, the total ranges are not simply the sum of the low or high estimates. Since some of the testing and certifications expire every two years, you may be required to complete c) and d). We may also require you to complete b).

**ESTIMATED INITIAL INVESTMENT FOR A SELF-SERVICE FOOD SERVICE COUNTER LOCATED IN A GROCERY STORE OR OTHER LOCATION OWNED BY A THIRD PARTY(1)**

Item	Amount	Method of Payment	When Due	To Whom Paid
Opening Food Inventory (2)	\$1,250 - \$5,000	Cash before opening, or we can deduct from commissions we pay you.	Before opening or over time by deduction from commissions we pay to you.	AFC
Signage (3)	\$0 - \$500	Cash	Before opening	AFC
Coolers and Ice Packs (4)	\$0 - \$900	Cash	Before opening	Suppliers

Item	Amount	Method of Payment	When Due	To Whom Paid
Insurance (5)	\$500 - \$ 2,000	Cash	When incurred	Insurance company/AFC if we obtain the insurance on your behalf
Licenses & Permits (6)	\$300 - \$1,500	Cash or by deductions from commissions we pay you	Before or shortly after opening.	Government Agencies/ AFC if we assist in obtaining these for you
Additional Funds -3 months (7)	\$1,300 - \$7,500	As incurred	As incurred	employees, suppliers, utilities, AFC
Account Broker Fee (8)(first quarterly payment per location)	\$0 - \$500	Cash	When incurred.	AFC
<b>Total for a self-service Food Service Counter</b>	<b>\$3,350- \$17,900</b>			

Footnotes:

(1) This table provides estimates for a self-service Food Service Counter located inside a grocery store or similar location. We let you open a self-service Food Service Counter only if you already have an existing full-time or part-time Food Service Counter franchise. We do not charge an initial fee for you to enter into the Self-Service Location Addendum with us. This table estimates your initial investment from the period before your self-service Food Service Counter opens for business, until about 3 months of operations. We used our experience in operating and working with franchisees to make these estimates. These are only estimates. Unless indicated otherwise, all amounts payable are non-refundable. See item 10 for financing we provide.

(2) Estimated additional cost for opening food inventory. Food inventory is delivered to your full-time Food Service Counter for preparation. It is your responsibility to prepare the food and deliver it at least once daily to your self-service location.

(3) For a Food Service Counter in a grocery store, the store will usually purchase and own the display case(s), signage, storage racks and similar equipment. The high estimate of \$500 assumes you buy an optional decorative umbrella, sign or banner with words or slogans we approve.

(4) Estimated cost for you to purchase coolers and ice packs to allow you to transport the food products to your self-service location. The low estimate assumes you already own this equipment.

(5) Estimated one year premium for required insurance at your self-service location. Premium amounts may vary based on sales volume.

(6) Estimated costs for retail food license and business license which typically must be obtained from the City, County and/or State. At our election, we have the right, but no obligation, to obtain any required licenses and permits in your name. You grant us a power of attorney to apply for any required licenses, permits and any renewals of these for your Food Service Counter(s). You reimburse us for any costs and fees incurred by us in applying for these licenses and/or permits on your behalf.

(7) We recommend that you have some additional funds for opening cash and expenses to cover entity formation costs, three months of operation, employee salaries (including yourself), supplies, administrative costs and funds of on-going inventory purchases for the first 3 months of operations.

(8) The low estimate assumes you are in a facility or store where no account broker fee need be paid. The high estimate assumes you are in a location where an account broker fee must be paid.

## **ITEM 8 RESTRICTIONS ON SOURCES OF PRODUCTS AND SERVICES**

Your Food Service Counter will be at a location you and we choose. It will be a grocery store or other location whose owner has an agreement with us or our parent for us to place a Food Service Counter there.

We develop some proprietary food products, sauces and spices. To protect our trade secrets and maintain quality control, we can require you to buy these proprietary items only from us or from suppliers we designate. Currently, we, our affiliates and our other approved suppliers are the only approved sources for seafood products, rice, vinegar, pre-prepared frozen salads, prepackaged condiments, prepackaged food items, other food products not including produce, utensils with our logo, and serving trays. Equipment like food preparation utensils (knives, rice scoopers) and plastic storage containers, can be purchased elsewhere provided they have been approved by the National Sanitation Foundation and bear the NSF logo. You must also comply with any source restrictions imposed by the facility owner to maintain quality control or an identifiable source for products in the event of product recalls.

We do not require you to buy or use electronic cash registers. All food purchases are normally handled through supermarket cash registers or the registers of the facility where your franchise is located. You are required to purchase a computer system with Internet connectivity to permit you to submit purchase orders online and to obtain information on new products, product specifications or other information.

We typically provide the initial inventory and equipment to the Food Service Counter before you arrive to start operating. As a result, you will obtain these items from us. This helps us get your Food Service Counter ready and lets you start operating sooner. You must keep all equipment in good repair.

We have a list of approved suppliers for food products and other items you need to operate the Food Service Counter. The list identifies manufacturers, brands, suppliers, and items and services we approve. We can revise the list from time to time. Other than our parent AFCC, our affiliate AFCDC and us, we do not have any suppliers in which any of our officers own an interest.

We have the sole right to develop new items for sale at your Food Service Counter. You must not develop, offer or sell sushi or other food items to the public without our prior written approval or sell any non-approved item from your Food Service Counter.

If you want to offer something we haven't approved, or buy from a supplier we haven't approved, you must tell us in writing and provide us samples and other information we need to check out the product or supplier. We expect to complete our review of a proposed new supplier within 60 days, however this could take longer depending on our and the supplier's availability, and the extent of inquiry needed. Our approval may be conditioned on things like whether the supplier meets our standards, has a good reputation, has satisfactory financial condition, can provide service at a level we require, and is willing to agree to restrictions to protect our intellectual property rights. We can charge you or the supplier to investigate the supplier. Later, we can revoke any approval we've given. We permit franchisees to contract with suppliers who have been approved by us and who meet our criteria. We can issue written specifications and standards to franchisees and approved suppliers. We have the right to modify our specifications and standards on written notice.

You must purchase the insurance coverage we specify from carriers satisfactory to us, and containing terms we require. As of the effective date of this Disclosure Document, we require the following insurance:

(a) Commercial General Liability coverage covering the premises and your operations for bodily injury and property damage liability including contractual liability, personal injury and product liability coverage in amounts not less than \$1,000,000 per occurrence and \$2,000,000 aggregate;

(b) Worker's Compensation Insurance in statutory amounts as required in the state(s) where your operations are conducted, including a Voluntary Worker's Compensation endorsement extending coverage to all employees exempted from coverage due to numerical employment requirements of the state;

(c) Employer's Liability Insurance with limits of \$1,000,000 per occurrence;

(d) Unemployment Insurance covering your employees;

(e) Property Insurance in an amount adequate to replace contents in the event of an insured loss;

(f) Business Income Insurance with limits adequate to insure profits and continuing business expenses for one year;

(g) State disability insurance for your employees (as required by law); and

(h) Automobile liability insurance including coverage for autos owned, leased, hired or borrowed by you or your owners, with limits of at least five hundred thousand dollars (\$500,000) per occurrence of bodily injury and property damage combined, and any other or increased amounts of insurance that we may require from time to time for each vehicle used by you (whether principally or occasionally) in connection with the franchised business (for example, to drive to the franchised location(s), to deliver products to self service locations, or otherwise). See Franchise Agreement Section 12.1.

You must use only goods and services that comply with our standards. We don't have any other required specifications, designated suppliers or approved supplies. Except as disclosed in this Item, we do not currently have any arrangements to derive revenue from your purchases or leases from third parties. We could make such arrangements in the future.

We derive revenue from your purchases from us and/or our approved suppliers. The revenue equals the amount we charge you or the supplier for the items. Your purchases from us and/or our approved suppliers will be 85% or more of the purchases you will make to start the business; and nearly 95% or more of the purchases you will make on an ongoing basis to operate the business. The main item we expect that you will buy from others is produce. In the year ending March 31, ~~2023~~2024, the AFC franchise system generated approximately ~~\$1.441~~1.458 billion in gross receipts of which approximately ~~\$648.3~~677.6 million was revenue to AFC. From the revenue to AFC, approximately ~~\$219.1~~240.2 million in the US was from required purchases by franchisees, which is ~~15.2~~16.5% of the gross receipts and ~~33.8~~35.4% of our total revenue. Because AFCDC does not make direct sales to franchisees, but rather sells to us and we then sell to franchisees, in the fiscal year ending March ~~2023~~2024, AFCDC did not derive revenue from required purchases by franchisees.

There aren't any purchase or distribution cooperatives and we do not negotiate terms from any suppliers to supply direct to franchisees. There are no material benefits to you based on buying from particular suppliers.

## ITEM 9 FRANCHISEE'S OBLIGATIONS

**This table lists your principal obligations under the franchise and other agreements. It will help you find more detailed information about your obligations in these agreements and in other items of this Disclosure Document.**

Obligation	Sections In Agreement	Items In Disclosure Document
a. Site selection and acquisition/lease	Fran. Agmt. Secs. 1, 3.1-3.4 Full-Time/Part-Time/Self-Service Location Franchise Addendum Sec. A. Asset Purchase Agmt. Food Service Counter Transfer Agmt.	7, 8, 11, 17
b. Pre-opening purchases/ leases	Fran. Agmt. Secs. 11.5, 11.11, 11.12, 11.15, 11.18, 11.19, 11.20, 12.1 Full-Time Location Franchise Addendum Sec. D. Part Time/Self Service Location: Sec. C	5, 8
c. Site development and other pre- opening requirements	Fran. Agmt. Secs. 3.1-3.4	5, 8, 11, 12
d. Initial and ongoing training	Fran. Agmt. Secs. 11.26, 11.27, 11.28	11
e. Opening	Fran. Agmt. Secs. 2 Full-Time Location Franchise Addendum Sec. C. Part Time/Self Service Location Sec. B.	11
f. Fees	Fran. Agmt. Secs. 4.5, 9, 11.26-11.30, 13.2, 14.9; Full-Time Location Franchise Addendum Sec. B, E. Part Time/Self-Service Location Addendum: Sec. D	5, 6
g. Compliance with standards and policies/Operating Manual	Fran. Agmt. Secs. 1, 5, 6.1-6.7, 7.1-7.2, 11.1 - 11.28, 11.30 Full-Time Location Franchise Addendum Sec. F. Part Time/Self Service Location Addendum Sec. E.	11
h. Trademarks and proprietary information	Fran. Agmt. Secs. 4.1-4.5, 6.1-6.7, 16.9	13, 14
i. Restrictions on products/services offered	Fran. Agmt. Secs. 7.2, 11.1-11.25	16
j. Warranty and customer service requirements	Fran. Agmt. Secs. 9.2, 11.2, 11.6, 11.7, 11.22	11
k. Territorial development and sales quotas	Not Applicable	12
l. Ongoing product/service purchases	Fran. Agmt. Secs. 11.4-11.6, 11.8-11.13, 11.14, 11.15	8, 10
m. Maintenance, appearance, and remodeling requirements	Fran. Agmt. Secs. 7.1-7.2, 11.1-11.3	8, 17
n. Insurance	Fran. Agmt. Secs. 12.1-12.5	7, 8
o. Advertising	Fran. Agmt. Sec. 8	11, 12
p. Indemnification	Fran. Agmt. Sec. 12.6 Asset Sale Agmt. Sec. 8.2 Food Service Counter Transfer Agmt. Sec. 5	6
q. Owner's participation/ management/staffing	Fran. Agmt. Sec. 11.17, 11.28 Full-Time Location Franchise Addendum: Sec. F.	15

Obligation	Sections In Agreement	Items In Disclosure Document
	Part Time/Self-Service Location Franchise Addendum Sec. E	
r. Records/reports	Fran. Agmt. Secs. 10.1-10.4, 11.1	6
s. Inspections/audits	Fran. Agmt. Secs. 4.5, 10.4	6
t. Transfer	Fran. Agmt. Secs. 14	6,17
u. Renewal	Fran. Agmt. Sec. 13	17
v. Post-termination obligations	Fran. Agmt. Secs. 15.6-15.7 Full-Time Location Franchise Addendum Sec. G.3-G.6 Part Time/Self Service Location Addendum: Sec. F.3-F.6	17
w. Non-competition covenants	Fran. Agmt. Secs. 6.3-6.7	17
x. Dispute resolution	Fran. Agmt. Sec. 16.8 General Release Sec. 9 Asset Sale and Purchase Agmt. Sec. 10.3 Food Service Counter Transfer Agmt. Sec. 10.	17
y. Risk Management	Fran. Agmt. Secs. 12.1-12.6	6
z. Nature of Business	Fran. Agmt. Sec. 12.7	1
aa. Restriction on Communication	Fran. Agmt. Sec. 16.5	15
bb. Personal Guaranty	Signature Page of Franchise Agreement, Full-Time/Part-Time/Self-Service Location Franchise Addendum	5, 6
cc. Tuberculosis, Drug Testing and Criminal Background Checks	Franchise Agmt. Sec. 11.30	5, 6, 7
dd. Cross Default	Franchise Agmt. Sec. 15.3 Full- Time Location Franchise Addendum Sec. G.2 Part Time/Self-Service Location Addendum: Sec. F.2	17

## ITEM 10 FINANCING

We can finance certain expenses you incur in operating your Food Service Counter, at our discretion, in circumstances when the commission payable to you is less than the balance owed to us. You can pay us over a period of months by deductions from commissions we pay you. We do not offer other direct or indirect financing. We do not finance any debt to a third party. We do not guarantee your note, lease or obligation.

### Summary of Financing Offered

Item Financed (Source)	Amount Financed	Down Payment	Term (MOS) (1)	APR%	Monthly Payment (1)	Prepay Penalty	Security Required (2)	Liability on Default	Loss of Legal Right on Default
Initial Inventory Purchase	\$8,000-\$24,000	None required	3-6(1)	No interest	Varies(1)	None	None	Individual liability	Not applicable

Item Financed (Source)	Amount Financed	Down Payment	Term (MOS) (1)	APR%	Monthly Payment (1)	Prepay Penalty	Security Required (2)	Liability on Default	Loss of Legal Right on Default
Ongoing Inventory	\$5,000 - \$18,000	None required	3-6(1)	No interest	Varies(1)	None	None	Individual liability	Not applicable
Opening Assistance	Up to \$1,800	None required	3-6(1)	No interest	Varies(1)	None	None	Individual liability	Not applicable
Labeling Machine and Warranty	Up to \$1,699	None required	3-6(1)	No interest	Varies(1)	None	None	Individual liability	Not applicable
Equipment and Small Wares	\$14,700-\$46,000	None required	3-6(1)	No interest	Varies(1)	None	None	Individual liability	Not applicable
Purchase Price Financing of Existing Location(3)	\$0 - \$50,000	Varies, but usually equals first installment due	0-12 months	No interest	Varies(3)	None	None(3)	Individual liability	Not applicable

Footnotes:

- (1) We may lump all expenses together. Our accounting manager makes a determination regarding the term of the financing and monthly payment, which is then deducted from commissions we pay you. The range financed will depend on which items are financed and ratio between store sales and amount owed. A shorter term would increase the monthly deduction.
- (2) We self-finance the above purchases. We do not require any security interest to obtain financing. Except when purchasing an existing location, you do not sign a promissory note, so there is no waiver of defenses. We do not have any practice or intent to sell, assign or discount the financing arrangements to any third party. We do not arrange financing from other sources and we do not guarantee your obligations to third parties.
- (3) If you purchase an existing business from us and ask us to finance part of your purchase price, you will sign a promissory note. If you fail to make payments, we can deduct payments from commissions due to you.

The Promissory Note provides a late payment penalty of the lower of 1% per month or highest rate allowed by law of the amount overdue and acceleration of the entire amount due if you are more than 10 days late making a payment. If you don't comply with the Promissory Note or any of the other agreements with us we can accelerate the entire amount remaining due without notice.

You waive all rights to presentment, protest and demand, diligence in collection and notice of protest, presentment, demand, dishonor and nonpayment of the Promissory Note and any release or discharge arising from any extension of time, discharge of any party liable for payment of the Promissory Note, or other cause of release or discharge other than actual payment in full of the Promissory Note.

We don't have any intent to sell, assign or discount to a third party all or part of the Promissory Note; however, we reserve the right to do so.

**ITEM 11 FRANCHISOR’S ASSISTANCE, ADVERTISING, COMPUTER SYSTEMS AND TRAINING**

**Except as listed below, AFC is not required to provide you any assistance.**

Pre-Opening Services. Before you open your Food Service Counter for business, we will provide you the following services:

1. We will provide you (or your principal owners) training described in the tables, below, unless you already received our training. The training provided will depend on the type of Food Service Counter you will operate--sushi, steam table or a combination of both and whether you already have food safety certification. We may exempt you from some or all of our training sessions if we determine, at our sole discretion, that you are already experienced in these subjects. You (or your principal owners) must complete this training to our satisfaction before starting operations. If you (or your principal owners) fail to complete training to our satisfaction, we may cancel the franchise agreement and keep all amounts paid to us. We may also exempt you from some or all training (at our sole discretion) if you or your affiliate currently owns or operates a Food Service Counter or the Franchise Agreement is executed as a renewal Franchise Agreement (Fran. Agmt Sec. 11.26).

**TRAINING PROGRAM**  
**Sushi Bar Training Table (if applicable to your Franchise) <sup>1,2,3</sup>**

<b>Subject</b>	<b>Hours of Classroom Training</b>	<b>Hours of on the Job Training</b>	<b>Location</b>
<b>Introduction, Legal Compliance and Label Machine Instruction</b>	4 Hours	Not Applicable	Our corporate headquarters, online or other location we choose.
<b>Sanitation and GMP</b>	8 Hours	Not Applicable	Our corporate headquarters, online or other location we choose.
<b>Sushi and Other Food Preparation and Evaluation</b>	Not Applicable	48 Hours	Our corporate headquarters, online and/or at a company owned and operated Food Service Counter that we select, or other location we choose.
<b>Sushi Related Products, Product Demonstration and Sampling Programs</b>	4 Hours	4 Hours	Our corporate headquarters, online and/or at a company owned and operated Food Service Counter that we select, or other location we choose.
<b>Franchise Management <sup>4</sup></b>	16 Hours	Not Applicable	Our corporate headquarters, online or other location we choose.
<b>TOTALS</b>	<b>32 Hours</b>	<b>52 Hours</b>	

- (1) The sushi bar training course takes 10 days. This training is provided where the primary food offering is sushi and onsite cooking is not required.
- (2) We will offer the training program weekly or as needed.
- (3) We use the following Instructional Materials: Standard Operating Manual, Standard Sanitation Operating Procedure and Methods Manual and recipe guides applicable to your franchise.
- (4) Franchise Management includes basic accounting, operations, business insurance, inventory control, employee management, marketing, license and permitting requirements.

**TRAINING PROGRAM**  
**Steam Table Training Table (if applicable to your Franchise)** <sup>1,2,3</sup>

Subject	Hours of Classroom Training	Hours of on the Job Training	Location
<b>Kitchen Equipment, Sanitation and GMP</b>	Not Applicable	6 Hours	Our corporate headquarters, online and/or at a company owned and operated Food Service Counter that we select, or other location we choose
<b>Kitchen Set-Up and Ingredient and Material Preparation</b>	Not Applicable	14 Hours	Our corporate headquarters, online and/or at a company owned and operated Food Service Counter that we select, or other location we choose
<b>Steam Table Menu, Product Cooking and Evaluation</b>	Not Applicable	44 Hours	Our corporate headquarters, online and/or at a company owned and operated Food Service Counter that we select, or other location we choose.
<b>Demonstration and Sampling Programs</b>	Not Applicable	4 Hours	Our corporate headquarters, online and/or at a company owned and operated Food Service Counter that we select, or other location we choose.
<b>Franchise Management</b> <sup>4</sup>	4 Hours	Not Applicable	Our corporate headquarters, online or other location we choose.
<b>TOTALS</b>	<b>4 Hours</b>	<b>68 Hours</b>	

- (1) The steam table training course takes 9 days. This training is provided where onsite cooking is offered.
- (2) We will offer the training program as needed.
- (3) We use the following Instructional Materials: Standard Operating Manual, Standard Sanitation Operating Procedure and Methods Manual, Steam Table Operating Manual and recipe guides applicable to your franchise.
- (4) Franchise Management includes basic accounting, operations, business insurance, inventory control, employee management, marketing, license and permitting requirements.

**TRAINING PROGRAM**  
**Food Protection Manager Certification Training**

Subject	Hours of Classroom Training	Hours of on the Job Training	Location
<b>ServSafe® Food Protection Manager Certification</b> <sup>1,2,3,4</sup>	12 Hours	Not Applicable	Our corporate headquarters, online or other location we choose.
<b>Allergen Awareness Training</b> <sup>5</sup>	1 - 3 Hours	Not Applicable	Online
<b>TOTAL</b>	13 -15 Hours		

- (1) You must enroll in the ServSafe® Food Protection Manager Certification program we offer and pass the certification exam before starting operations. ServSafe® Food Protection Manager Certification training takes 2 days.
- (2) We will offer the training program weekly or as needed.
- (3) The instructions material used is ServSafe® Essentials.
- (4) Every Food Service Counter must have one ServSafe® Food Protection Manager Certified person onsite during all operating hours.
- (5) You must enroll in the ServSafe® Allergen Awareness Training offered online by ServSafe® and pass the training exam before starting operations. ServSafe® Allergen Awareness Training takes 1-3 hours. We require proof that you completed the training and passed the exam prior to the last day of orientation training.

We charge \$1,000 for the sushi training, \$1,300 for the steam table training and up to \$275 per person for the ServSafe® Manager Examination and Certification. If we exempt you from all training, we will waive the training fee. You pay your own travel and living expenses during training. Classroom training is at our corporate headquarters in Torrance, California, online or other location we choose. We reserve the right to waive the training requirement in our absolute discretion where we are satisfied that you have sufficient skill, knowledge and experience with both the operational requirements and our prescribed and preferred procedures. On the job training is partly at a kitchen at our corporate headquarters and partly at a company owned and operated Food Service Counter that we select.

Our trainers are various individuals who work in various departments such as accounting, operations, marketing and compliance. Each individual provides instruction on the area of his or her experience. At the issuance date of this Disclosure Document these included: Mike Hong, who has ~~6~~7 years' experience with us, is our business development and product promotion and customer service instructor; San Yu, who has 5 years' experience with us, is our business development and product promotion and customer service instructor; Peter Han who has ~~27~~28 years' experience with us, is our food preparation instructor; Aung Thu who has 8 years' experience with us, is our food preparation instructor; Ye Tun, who has ~~7~~8 years' experience with us, is our franchise labeling equipment instructor; Tai-li Wang who has ~~10~~11 years' experience with us, is our franchise documentation instructor and ~~Giordane Nicart~~Ben Wu, who has ~~5~~7 years' experience with us, is our ~~steam table instructor~~Hot Food Senior Manager.

To help compare the store's reported sales and reduce or avoid discrepancies, during training we instruct you on keeping a log of your sales; and comparing your log to the sales reports we send you, which are based on information reported to us by the facility owner. If there is a discrepancy, you must tell us within 30 days. We can then contact the facility owner to alert them and attempt to reconcile the discrepancy. (Fran. Agmt § 10.3).

2. We will identify a grocery store or other venue where your Food Service Counter will be located and we will have worked with them on the build-out of the Food Service Counter. (Fran. Agmt. Sec. 3.1). Locations are established based on our parent's or our written agreement with a grocery store chain or venue owner, to place Food Service Counters at their locations. We are not required to show you the agreement. Our agreement with the facility owner may be month-to-month and can be terminated by the facility owner on short notice. We consult with you on which of the available locations to assign to you before you sign the franchise agreement. If you purchase an existing location from us or our parent, we will charge you our estimate of the fair market value of the Food Service Counter, taking into account the revenue, assets, equipment and value of the established market of the Food Service Counter sold to you.

You must select a location before signing the franchise agreement. If you and we cannot agree on a location, then we will not enter into the franchise agreement. You are responsible to obtain all required licenses and permits to operate your location and to hire and train employees. You must provide copies of your licenses and permits to us. If the facility owner, due to labor contracts or otherwise, requires your Food Service Counter(s) employees to be employed directly by the facility owner, and we are asked to reimburse the facility owner for these employment costs, we will then deduct such payments from the amounts due to you under your Franchise Agreement. We can assist you obtain health permits on request. We will train those employees you select at our then standard rates.

3. We will loan you a copy of our Confidential Operating Manual, SSOP Manual and Steam Table Operating Manual (if applicable to your franchise). (Fran. Agmt. Sec. 5.1.) The table of contents of our operating manuals are Exhibit L to this Disclosure Document. As of March ~~2023~~ 2024 our Standard Operating Manual contained a total of 163 pages, our Standard Sanitation Operating Procedure and Methods Manual had a total of 29 pages, our Steam Table Manual had a total of 21 pages, our Sushi Recipe Guide had 125 pages, our Steam Table Recipe Guide had 62 pages and our Wild Blue Recipe Guide had 162 pages.

4. You must purchase from us and/or our approved suppliers any required equipment, signs, fixtures, opening inventory and supplies not provided by the owner of the facility where you will operate. We will provide written specifications to you about these requirements on written request. You are responsible to install these items, unless the installation will be done by the facility owner. We will deliver initial inventory and equipment to the Food Service Counter. You pay us for these. (Part Time and Self-Service Fran. Addendums Sec. C; Full Time Fran. Addendum Sec. D). You must keep all equipment, signs and fixtures in good repair.

If we agree to grant you a franchise, then typically you will start operating your Food Service Counter within 3-10 days after you complete training. The main factors to this timing are whether the location is already built out by the facility owner, equipped and ready to operate, time for you to return to where the franchise will be located, and your desire and readiness to start. If there is a delay by the facility owner in building the location, or delay by you and us in choosing a location, it could be 30-60 days or longer before you start operating the Food Service Counter.

Post-Opening Services. After your Food Service Counter opens, we will provide you the following services:

1. For your first location only, we will send our regional manager or other employee to assist you at your location for up to three days. If you ask, or we decide that additional on-site training is needed, we'll charge you \$450 per additional day. Our decision will be based on our evaluation of your need for additional assistance. We decide in consultation with you. (Fran. Agmt. Sec. 11.27.)

We will provide ongoing research and development seeking to identify new products that you may sell at your Food Service Counter. (Fran. Agmt. Sec. 11.6.) We will tell you about identified new products that you must offer or sell.

2. We will identify suggested and approved suppliers for products you will use in your Food Service Counter(s). For some items we may be the only approved supplier. We plan to identify any approved supplier in writing. (Fran. Agmt. Sec. 11.10)

3. We (or independent third party inspectors) will periodically inspect your Food Service Counter(s) and tell you of operations we think you need to address or improve. (Fran. Agmt. Secs. 4.5, 11.2)

4. We may periodically provide additional training on new products or operation. We can require you and your manager to attend. We can charge you our current training fees for each person for whom we

provide such additional training. You are responsible for all travel and living expenses incurred to attend any training programs. (Fran. Agmt. Sec. 11.28.)

5. We may recommend resale prices or pricing schedules to you and may provide pricing labels conforming to these recommendations. You have the right to determine prices that you charge for products sold from your Food Service Counter(s). If you want to charge a price or prices that differ from a price or price schedule recommended by us, then you must pay or reimburse any additional reasonable costs that we incur to prepare price labels containing the pricing determined by you. When allowed by law, we can specify maximum and minimum prices for products sold at your Food Service Counter. (Fran. Agmt. Sec. 11.25.)

If you must stop operating at a location because the owner of the location no longer wants a Food Service Counter there, or objects to you as the operator there, without your fault, we will try to find another location in the area for you to relocate to. There could be delay in getting another location, relocation may not be possible before expiration of the term of your agreement, or at all and your new location may not be comparable to the old. Additionally, any relocation, will involve a substantial interruption in operating your Food Service Counter until a new location is identified and prepared. You do not have to pay another franchise fee but you could lose expenses incurred from the original location. Conditions and results of the new location may differ from the prior location. If we cannot get a new location there is still no refund of any fees. (Fran. Agmt. Sec. 3.2).

If you ask, we will give you a list of our franchises in an area to help you comply with the restriction on competing that continues in effect after you are no longer our franchisee. (Fran. Agmt. Sec. 6.4(E)). On request, we will also assist you with any operational problems you encounter.

### Advertising

We encourage you to advertise your Food Service Counter. You must submit proposed advertising to us and use the materials only after you get our consent. You can't use any materials without first getting our written consent. We can restrict where you can advertise and how you advertise. You may not advertise on the Internet or use other electronic media without obtaining our prior written consent. Your advertising must include trademark, copyright and independent ownership notices that we request. (Fran. Agmt. Sec. 8.1 and 8.2). There is no franchisor sponsored or operated franchise advertising program or fund at this time. We have no obligation to spend any amount on advertising in the area or territory where your Food Service Counter is located.

We can designate a geographic area as an advertising cooperative that you must participate in. You'll participate and contribute to the cooperative according to its procedures. We can set the amount you and other franchisees contribute to any advertising fund operated by the cooperative. There is no requirement for franchisor owned outlets to contribute to the fund, although we anticipate that they will do so according to guidelines we establish. The cooperative will operate according to governing documents that we prepare or consent to. (Fran. Agmt. Sec. 8.4). If and when formed, these will be available to you for review. We can decide who administers the cooperative. There are no current requirements for cooperatives to prepare financial statements. We have the power to form, change, dissolve or merge cooperatives, at our discretion. (Fran. Agmt. Sec. 8.4).

There are no current advertising councils composed of franchisees that advise us on advertising policies.

### Computer Equipment and Registers

We do not require you to buy or use electronic cash registers. All food purchases are normally handled through supermarket cash registers or the registers of the facility where your franchise is located.

We require you to purchase a computer system with Internet connectivity to permit you to submit purchase orders online and to obtain information on new products, product specifications and other information from us. We do not have specific brand or other computer system specifications. We estimate the cost of purchasing a computer system with Internet capabilities is about \$600. You are solely responsible for your computer system, including maintaining and repairing it when necessary. The Franchise Agreement does not impose any obligation on you to purchase maintenance, update, upgrade or support contracts for your computer system. We do not currently require you to provide us independent access to the information generated or stored on your computer system, but may require you to do so in the future on written notice. We do not impose any upgrade or update obligations for your computer, but you must keep your computer current. You are also required to obtain and provide us an email address to which we may send written communications and sales reports pertaining to your location(s).

We require you to purchase a Samsung Tablet (Galaxy Tab E or A), Dongle and printer (“Tablet System”) meeting our specifications (See Exhibit “PQ”) to enable you to print labels for your products. We estimate the cost of purchasing the Tablet System and warranty will range between \$900 and \$1,699. You must also pay the monthly web and data fee (currently up to \$100 per month) for each Food Service Counter you operate. You are solely responsible for your Tablet System, including maintaining and repairing it when necessary. The Franchise Agreement does not impose any obligation on you to purchase maintenance, update, upgrade or support contracts for your Tablet. We can require you to provide us independent access to the information generated or stored on your tablet, including inventory tracking logs. You must keep the Tablet System current. We can require you to upgrade or update the Tablet System. We may, in the future, develop or designate computer application software for use with the Tablet System for performing various functions for your Food Service Counter(s). You must purchase, implement and use the software in operating the Food Service Counter(s) and comply with all standards we prescribe regarding the software, including upgrade and maintenance requirements.

## **ITEM 12 TERRITORY**

We grant you a franchise for one or more specific location(s) in grocery stores or other venues. These locations will be specified in one or more franchise addendums. You do not receive any minimum territory. If on signing the franchise agreement or thereafter we agree that you may operate more than one location, you will sign our then current location addendum for each additional location to be opened and pay the applicable fee. We assess whether to grant you the right to operate another location, based on the following factors: availability of another location; the additional location is in a non-competing store; the new location is relatively near your existing location(s); in our judgment, you are financially able to operate multiple locations; in our judgment you are capable of operating and managing another franchise location; and you have qualified managers to assist you operate multiple locations. Our form location addendums are attached as Exhibits D through F.

You will not receive an exclusive territory. You may face competition from other franchisees, from outlets that we own, or from other channels of distribution or competitive brands that we control. We can grant franchises or licenses to others to operate Food Service Counters anywhere, regardless of how close they are to your Food Service Counter(s). We can sell products and other items to anyone and anywhere (even in the facilities where you operate), including pre-packaged products identified by our marks or other marks, whether or not such marks are authorized for your use, as well as other products or services under the marks and other trademarks and service marks. We may also sell and distribute products through different distribution channels, such as via the Internet, telemarketing, catalog sales, other direct marketing sales and other means. We are not required to compensate you for any sales we make through these methods. You can operate only at your grocery store (or other type of facility) location and you must comply with the store’s (or other type of facility’s) rules, policies and guidelines. If required by the facility owner, you must sign any code of conduct or equivalent document required by the facility owner.

Our affiliates, JFE, BSFI, and Bento USA grant franchises or licenses to others to operate businesses similar to our Food Service Counters in the United States. There is no territorial restriction on their operations and they can compete with you even in the same facility where you operate.

Other franchisees and we can solicit and advertise anywhere, including in the area where your Food Service Counter is located.

We can impose geographic and/or other restrictions on advertising that you conduct or propose to conduct.

You must only sell products to end customers who are physically present at your Food Service Counter(s). You may not engage in the resale of any product or supply at wholesale, retail or through other means without our written consent. You are not permitted to sell any product using other channels of distribution (such as the Internet, catalog sales or telemarketing).

If the location where you operate closes or objects to you operating there or otherwise becomes unavailable without your fault, we will try to help arrange for you to operate a Food Service Counter at another location in the same general area. There is no assurance we will be able to do so. The facility you relocate to may be month-to-month and can be terminated by the facility owner on short notice. You release us from any loss of right or consent to operate at the location and agree not to hold us liable for any such event occurring during or after the term of the agreement.

Unless you sign an additional location addendum, you do not get any right to acquire additional Food Service Counters. If we are satisfied with how you operate your initial Food Service Counter, we can agree to add one or more locations to your existing franchise agreement. See our location addendums attached as Exhibits D through F.

We can grant franchises to others using our trademarks and system, at any location. We can also sell through company owned outlets.



Other than JFE, BSFI, BNI, and Bento USA neither we nor our affiliates do not have any current plans to operate or franchise a business under a different trademark that sells goods or services similar to those to be sold at your Food Service Counter, but reserve the right to do so.

### ITEM 13 TRADEMARKS


We let you use the logo that includes the words Zenshi, AFC, or Wild Blue, or ~~Zenshi~~, as applicable to your franchise. The logos are on the cover of this Disclosure Document. We also claim rights in the trade dress used in our display cases.


We own the following trademark registrations on the Principal Register of the U.S. Trademark Office which we let you use:

Mark	Reg. No.	Goods/ Services	Registration Date
AFC FRANCHISE CORP.	4,163,336	Rice	June 26, 2012 <u>(Renewed: November 29, 2021)</u>

Mark	Reg. No.	Goods/ Services	Registration Date
	4,166,625	Rice	July 3, 2012 <a href="#">(Renewed: November 30, 2021)</a>
	6,172,908	Restaurant services; Restaurant and café services; Restaurant and catering services; Fast-food restaurant services; Take-out restaurant services; Sushi; combination meals consisting primarily of prepared pasta and rice specially prepared in an Asian style; Combination meals consisting primarily of meat, poultry, seafood and vegetables specially prepared in an Asian style.	October 13, 2020
WILD BLUE	6,172,901	Restaurant services; Restaurant and café services; Restaurant and catering services; Fast-food restaurant services; Take-out restaurant services	October 13, 2020

Our corporate parent, AFCC obtained the following trademark registrations on the Principal Register of the U.S. Trademark Office which we let you use:

Mark	Reg. No.	Goods/ Services	Registration Date
SOUTHERN TSUNAMI	2,782,535	Sushi and related products, namely, bottled sauces, seasonings, pickled ginger, wasabi, rice and tea.	November 11, 2003 <a href="#">(Renewed: November 2, 2013 and June 7, 2023)</a>
	2,780,243	Sushi and related products, namely, bottled sauces, seasonings, pickled ginger, prepared wasabi, rice and tea.	November 4, 2003 <a href="#">(Renewed: November 2, 2013 and June 7, 2023)</a>

Mark	Reg. No.	Goods/ Services	Registration Date
HYBRID SUSHI	4,277,991	Sushi and related products, namely, bottled sauces, seasonings, pickled ginger, prepared wasabi, rice and tea.	January 22, 2013 <u>(Renewed: May 27, 2023)</u>
	4,277,992	Sushi and related products, namely, bottled sauces, seasonings, pickled ginger, prepared wasabi, rice and tea.	January 22, 2013 <u>(Renewed: April 3, 2023)</u>

Our corporate parent, AFCC has applied to register the following trademark on the Principal Register of the U.S. Trademark Office which we let you use:

Mark	Serial No.	Goods/ Services	Application Date
ZENSHI	97/806,598	Prepared, packaged and ready to eat Asian and Asian inspired meals, entrees, appetizers and beverages consisting primarily of beef, fish, seafood, poultry, pork, vegetables, and dairy, including sushi, sashimi and raw seafood, for consumption off the premises; retail and wholesale store advertising, management and administration services, including franchise system services, operation, sales and administration, for Asian and Asian inspired fish, sea food, sushi, sashimi, beef, chicken, pork, vegetables, miso, rice, pasta, noodles, beverages, carbonated drinks, fruit juices, teas, and processed foods; retail packaging, arranging and delivering of goods and/or assortments of goods, namely, prepared and prepackaged Asian and Asian inspired meals, entrees, appetizers and beverages, including,	February 22, 2023

Mark	Serial No.	Goods/ Services	Application Date
		fish, seafood, sushi, sashimi, beef, poultry, pork, vegetables, miso, rice, pasta, noodles, carbonated drinks, fruit juices, teas, and processed foods; retail and wholesale food preparation services for immediate consumption that features Asian and Asian inspired meals, entrees, appetizers, and beverages, including, fish, seafood, sushi, sashimi, beef, poultry, pork, vegetables, miso, rice, pasta, noodles, carbonated drinks, fruit juices, teas, and processed foods.	

The trademark in the table immediately above is not yet registered. Therefore, this trademark does not have as many legal benefits and rights as a federally registered trademark would have. If our right to use the trademark is challenged, you may have to change to an alternative trademark, which may increase your expenses.

You may only use the trademarks associated with the franchise concept you operate. We claim common law rights to all trade and service marks we license to you.

As of the issuance date of this Disclosure Document, we either filed or planned to file all required affidavits to maintain these registrations.

We use the trademark AFC. Some other food companies and restaurant franchise systems also use the initials AFC or logos that include these letters. We have found that some started before us, and some started after. The other uses of “AFC” include franchising or on food products. AFC is also used as a trademark for many other goods and services having nothing to do with food or restaurants. Because our parent and we have used “AFC” continuously since at least 1989 without any known instance of confusion, we believe the marketplace has shown there is no material issue or risk of infringement or confusion.

We have a license from AFCC that lets us use and franchise you to use the marks “Zenshi,” “Southern Tsunami,” and “Hybrid Sushi” and “Zenshi”. The agreement does not have a specific term; however, AFCC can terminate the license at any time. Termination forces us to stop granting new franchises under these brands, but does not affect franchises granted before termination. Because AFCC is our owner we do not expect the agreement to be terminated at any time that would be disruptive to us. Other than AFCC’s right to terminate the license agreement as stated above, no agreement limits our right to use or license the use of the marks that are material to the franchise.

There are no currently effective material determinations of the Patent and Trademark Office, Trademark Trial and Appeal Board, trademark administrator of any state or any court regarding our principal trademarks. In some locations, your use of our trademarks will be limited by our agreement with the store.

You must tell us in writing if someone claims you are infringing a trademark, if you find out anyone else may be infringing our trademarks or claims rights to our marks or to a confusingly similar mark.

If you used our trademarks according to the Franchise Agreement, then we'll do what we think is appropriate to defend and indemnify you against someone else's claim that you infringed. We can defend or settle the claim using counsel we choose. You must cooperate with us. If someone else is infringing, then we will decide what we want to do about it. You can't make any claim on them. We have the right to control all administrative proceedings or litigation involving our marks.

If we say so, you must change or stop using our marks, or switch to a different mark, or use different marks. You must use the marks in the way we say to. We don't have to pay your expenses and you can't make any claim against us for changing or stopping your use of the marks.

#### **ITEM 14 PATENTS, COPYRIGHTS AND PROPRIETARY INFORMATION**

No patents are material to the franchise. You will learn information that we consider confidential and trade secret. This includes recipes, operating procedures and contents of training, and information on how we operate. The Franchise Agreement has provisions requiring you to keep all of this confidential.

We claim copyrights in our Standard Sanitation Operating Procedure and Methods Manual, Steam Table Manual and other written materials we provide to you. You will receive one set of manuals for each location you operate, except, no manuals are provided for self-service locations and the Steam Table Manual is only provided to locations with an operating steam table. You must return the manuals and other confidential information to us when your franchise agreement ends. (Fran. Agmt. Sec. 5.2.) When you return the manuals within 30 days of expiration or termination of the franchise agreement or an applicable addendum, we will refund to you the manual lease fees you paid (Fran. Agmt. Sec. 5.1).

There are no current determinations by the U.S. Copyright Office or any court regarding the copyright(s). We are not aware of any infringement of our copyrights.

You must tell us in writing if someone claims you are infringing our copyright(s), or if you find out anyone else may be infringing the copyright(s). The agreement does not specifically require us to defend and indemnify you against claims of copyright infringement. However, as our policy, if you use the manuals and other copyrights according to the Franchise Agreement, then we'll generally do what we think is appropriate to defend and indemnify you against someone else's claim that you infringed. If we choose to provide a defense, we will defend or settle the claim using counsel we choose. You must cooperate with us. If someone else is infringing, then we will decide what we want to do about it. You can't make any claim on them. We have the right to control all litigation involving our copyrights.

If we say so, you must stop using our copyrights, or use other copyrighted works we prepare. You must use our copyrights in the way we say to. We don't have to pay your expenses and you can't make any claim against us for changing or stopping use of the subject matter covered by our copyrights.

We also claim proprietary rights in our product recipes, methods of product preparation and operating procedures (Fran. Agmt. Sec. 6.1.) You must keep our secrets confidential while you are a franchisee and afterward, and you must not make any copies of them. You cannot use our secrets in any activity other than operating your franchise. You must use reasonable procedures that we request to help protect our secrets. (Fran. Agmt. Sec. 6.2.)

#### **ITEM 15 OBLIGATION TO PARTICIPATE IN THE ACTUAL OPERATION OF THE FRANCHISE BUSINESS**

For a full-time location, you or your principal owner (if you are an entity) must either directly or through a manager, devote your full time to managing the Food Service Counter and your employees.

For a part-time location, you or your principal owner (if you are an entity) must either directly or through a manager operate the Food Service Counter on a part-time basis each day that the location where the Food Service Counter is located is open for business. As a part-time Food Service Counter, you are not required to be personally present or have a manager personally present at the Food Service Counter more than four hours per day.

For a self-service location, to assure food safety compliance, you must perform all food preparation only at your already existing full-time or part-time Food Service Counter. To promote a consistent customer experience, the self-service Food Service Counter must be inspected and the display case restocked at least once daily with sufficient amount of sushi and/or other food products before trading hours each day as directed by the facility owner. We can revise these requirements.

If a location is operated by a manager, you are still required to be personally and actively involved in operations and remain fully responsible for each location including supervising your employees.

If you operate more than one location, then at least one trained employee with ServSafe Manager Certification must act as manager under your supervision for those other locations. To assure we are aware of whom to contact at the location in the event of your absence, you must provide to us a written list of every manager you employ. You must update and provide a revised manager list to us in writing within 24 hours of any new manager being hired and any manager leaving your employment. You must abide by lawful requests of the business owner or manager of the premises regarding any employee or prospective employee. To protect the franchise system, before hiring a manager, you must require the manager to sign a confidentiality and non-disclosure agreement in a form satisfactory to us requiring the manager to protect our trade secrets and any other item we specify in writing from time to time. You must also provide adequate training to the manager before start of employment. There is no requirement for the manager to own any equity interest in you (if you are an entity, such as a corporation or limited liability company).

Your Food Service Counter(s) must be staffed by a sushi chef (if applicable to your location) before and during what we consider to be peak hours. To promote a consistent customer experience with the franchise system, you must also ensure that each Food Service Counter you operate is adequately staffed and that your display cases are adequately stocked during business hours.

You must not interfere with our relationship with the store where you are located. You must at all times act professionally and respectfully in dealing with customers, clients, the facility's personnel and our employees.

If you are an entity, we can require each of your owners and officers to sign a guaranty (the last pages of the Franchise Agreement and Location Addendums) in which he/she/they assume and agree to discharge all obligations of the "Franchisee" under the Agreements. In certain states we may require you to enter into your Franchise Agreement as an entity.

## **ITEM 16 RESTRICTIONS ON WHAT THE FRANCHISEE MAY SELL**

You must offer and sell only items that we approve for sale at your Food Service Counter(s). If you want to offer other items, you must first get our written consent. We don't have to consent.

You must offer the full range of menu items that we designate. If you wish to remove any item from your menu, you must first get our approval in writing. We can add additional items to the menu from time to

time and remove items from our menu. There is no limit on our right to make changes. We have the sole right to develop new items for sale at your Food Service Counter(s). You must not develop, offer or sell any non-approved item from your Food Service Counter(s).

You are not restricted with regard to customers you may sell products to. However, you must conduct your business only from the grocery store or other location where you are located. We can restrict where and how you advertise.

You must only sell products to customers who are physically present at your Zenshi Counter(s)/AFC Food Service Counter(s)/Wild Blue Location(s)/~~Zenshi Counter(s)~~. You must not engage in the resale of any product or supply at wholesale, retail or through other means without our written consent. You may not use any other channels of distribution such as the Internet, catalog sales or telemarketing to conduct sales.

**ITEM 17 RENEWAL, TERMINATION, TRANSFER AND DISPUTE RESOLUTION**

**THE FRANCHISE RELATIONSHIP**

**This table lists certain important provisions of the franchise and related agreements. You should read these provisions in the agreements attached to this Disclosure Document.**

Provision	Sections In Franchise Agreement	Summary
a. Length of Franchise Term	Franchise Agmt. Section 2 Part-Time/Self-Service Location Franchise Addendums Section B Full Time Location Franchise Addendum Section C	Term of your agreement with us is five years. It could end earlier if the store or facility where you are located ends their agreement that permits our franchise to be there. If not terminated earlier, and if you meet all conditions, the term is renewable for an additional five years.
b. Renewal or extension of the term	Franchise Agmt. Sections 13.1-13.3	If you meet conditions, you can renew for an additional 5 years, as we determine. This is subject to our agreement with the store or facility owner where you are located.
c. Requirements for you to renew or extend	Franchise Agmt. Sections 13.1-13.3	Conditions to renew for an additional term are: (a) compliance with all agreements with us; (b) ability to keep all your location(s); (c) provide 180 to 360 days written notice of desire to renew; (d) sign our then current form of Agreement and applicable addendums at least 30 days before the expiration date; (e) compliance with our then current qualifications and training; (f) bring Food Service Counter(s) into updated full compliance; and (g) pay our then current initial fee for each location you operate.  You may be asked to sign agreements that contain materially different terms and conditions than your current agreements.

Provision	Sections In Franchise Agreement	Summary
d. Termination by you	Franchise Agmt. Section 2	You can apply to us to terminate the Franchise Agreement early if you want, effective 90 days after written notice, or any earlier time that we agree in writing. We will accept or reject your request to terminate early within 30 days of your written request. If we fail to respond within the 30 day period, your request to terminate early will be deemed rejected (subject to state law).
e. Termination by us without cause	Franchise Agmt. Section 3.3 Self-Service Addendum Section F.1	We cannot terminate without cause, except that we can terminate any time if the facility where you are located ends their agreement with us.  We can terminate the self-service addendum at any time, for any reason or no reason on 30 days written notice to you.
f. Termination by us with cause	Franchise Agmt. Sections 15.1-15.3 Part-Time/Self-Service Location Franchise Addendum Sec. F Full Time Location Franchise Addendum Section G	We may terminate if you default on any of your obligations. A default of one agreement/addendum with us, will at our election also constitute a default of every other agreement/addendum between you and us (subject to state law).
g. “Cause” defined – defaults which can be cured	Franchise Agmt. Section 15.2	You have 15 days to cure any curable defaults except where law requires longer. If you fail to cure in 15 days, we may terminate your franchise. Curable defaults are defaults not listed below in box h (subject to state law).
h. “Cause” defined – defaults which cannot be cured:	Franchise Agmt. Section 15.1	Except as prevented by law, non-curable defaults include: bankruptcy or insolvency <sup>1</sup> ; voluntary or involuntary dissolution; levy against your assets; abandonment; loss of location; any complaint or dissatisfaction by owner or store manager of facility where franchise is located or objection by the facility owner or store manager to the continued operation of the Food Service Counter; conviction of felony or criminal misconduct; threat to public health or safety and/or failure to cure health and safety violations within 24 hours of notice; unlawful act, harassment or discrimination; unapproved transfer/assignment; breach of confidentiality or transfer restriction provisions of the franchise agreement; false statements in franchise application or conduct which reflects materially and unfavorably on the operation and reputation of the franchise or franchise system; maintaining false books or records; submitting a false report; failure to discharge employee for embezzlement; interference with our other contractual relations; repeated failure to comply with Franchise Agreement; failure to cure misuse of Marks within 48 hours of notice; failure to satisfactorily

Provision	Sections In Franchise Agreement	Summary
		complete our initial training program or to pass any required criminal background check and/or drug, tuberculosis or other chemical and disease testing; acts of dishonesty and/or moral turpitude (subject to state law).
i. Your obligations on termination/non-renewal	Franchise Agmt. Section 15.6	Obligations include: pay all amounts due to us and third parties including any expenses incurred because of your default; de-identification, no use of Marks; assign location to us and vacate premises; cancel assumed names; return manuals, customer lists, items showing our Marks and any other property of ours; return all property of the facility owner; pay expenses we incur; assign phone numbers; revise all websites and social media pages under your control to remove references to the Food Service Counter(s) and our Marks and system; at our request, assign to us all domains and social media accounts owned by you relating to the Food Service Counter(s); cooperate with us; and sign all documents we request to terminate your franchise; not destroy, damage, hide or take any equipment or inventory from the Food Service Counter without our written consent.
j. Assignment of contract by AFC	Franchise Agmt. Section 14.1	There is no restriction on our right to assign.
k. "Transfer" by you – defined	Franchise Agmt. Sections 14.2, 14.5	Includes transfer or assignment of Agreement or assets or ownership change, but excluding transfer of ownership from you individually to your entity.
l. AFC's approval of your transfer	Franchise Agmt. Sections 14.2, 14.5 and 14.9	We have the right to approve all transfers but will not unreasonably withhold approval. We have the right to withhold consent and probably will withhold consent to any transfer proposed to be entered into within 2 years of the date of the addendum for the location proposed to be transferred. We can also withhold approval if you plan on selling some but not all of your locations, if such locations are operated under one franchise agreement.
m. Conditions for AFC's approval of transfer	Franchise Agmt. Section 14.9	You offer us right of first refusal, pay all amounts owing to us and any of our affiliates, pay transfer fee, sign general release and not take any security interest in assets of the business; terms of sale are not unduly burdensome to the new franchisee; new franchisee qualifies and cooperates with us, undergoes training, and signs current franchise agreement; owner of location where Food Service Counter is located consents; transaction closes within 90 days of us not exercising right of first refusal.
n. AFC's right of first refusal to buy your business	Franchise Agmt. Sections 14.6-14.7	We can match any offer for your business or offer of any sale.

Provision	Sections In Franchise Agreement	Summary
o. AFC's option to buy your business	Franchise Agmt. Sections 14.6-14.7, 15.7 Part-Time/Self-Service Location Franchise Addendums Sections F.3-F.6. Full Time Location Franchise Addendum Section G.3-G.6.	We have option to buy your business under our right of first refusal and on expiration or termination of your agreement or any addendum. We also have the option to purchase any non-expired approved perishable inventory at your Food Service Counter(s) at the time of expiration or termination of your agreement or any addendum.
p. Your death or disability	Franchise Agmt. Sections 14.10, 14.11 and 14.12	Surviving heirs may operate the business if they can qualify within 180 days, or they may assign to an approved buyer. If we operate the business, we get reimbursed for our expenses and we get a management fee of \$450 per day.
q. Non-competition covenants during term of franchise	Franchise Agmt. Section 6.4	You must deal exclusively with us. No involvement with competing business (subject to state law).
r. Non-competition covenants after franchise is terminated or expires	Franchise Agmt. Sections 6.4	No competing business for 2 years within 5 miles in a major city, 10 miles in a metropolitan area other than a major city, and 15 miles in a rural area, of any Food Service Counters associated with us. A "major city" means any of the top 25 cities in the U.S. measured by population; a "metropolitan city" means any city other than a major city where the population density is greater than 1,000 people per square mile; and a "rural area" means an area whose population density is 1,000 people per square miles or less. (subject to state law).
s. Modification of the agreement	Franchise Agmt. Section 16.4	No modification except in writing signed by you and us. Manuals may change, including Operating Manuals.
t. Integration/merger clause	Franchise Agmt. Section 16.3	Only the terms of the Franchise Agreement or other applicable agreement are binding (subject to state law). Other promises and representations are not enforceable. Nothing in the agreement is intended to disclaim our representations made in the franchise disclosure document.
u. Dispute resolution by arbitration or mediation	Franchise Agmt. Section 16.8	Except for certain claims, all disputes must be arbitrated in Los Angeles, California, according to the rules of the American Arbitration Association (subject to state law). Failure to appear may cause a judgment of money to be awarded.
v. Choice of forum	Franchise Agmt. Sections 16.8	An action for a restraining order, injunctive or equitable relief described in box x below may be brought in any court. All other claims must be arbitrated in Los Angeles, California, subject to state law.

<b>Provision</b>	<b>Sections In Franchise Agreement</b>	<b>Summary</b>
w. Choice of law	Franchise Agmt. Section 16.7	California law applies, except that if any provision of the Agreement would not be enforceable under California law, and if the Food Service Counter is located outside of California and such provision would be enforceable under the laws of the state in which the Food Service Counter is located, then such provision will be interpreted and construed under the laws of the state where the Food Service Counter(s) is/are located.

See also state specific addenda attached to this Disclosure Document as Exhibit O.

**This table lists certain important provisions of the General Release. You should read these provisions in the agreement attached to this Disclosure Document.**

<b>Provision</b>	<b>Sections In General Release</b>	<b>Summary</b>
a. Length of Franchise Term	Not Applicable	Not Applicable
b. Renewal or extension of the term	Not Applicable	Not Applicable
c. Requirements for you to renew or extend	Not Applicable	Not Applicable
d. Termination by you	Not Applicable	Not Applicable (subject to state law)
e. Termination by us without cause	Not Applicable	Not Applicable
f. Termination by us with cause	Not Applicable	Not Applicable (subject to state law)
g. "Cause" defined – defaults which can be cured	Not Applicable	Not Applicable (subject to state law)
h. "Cause" defined – defaults which cannot be cured:	Not Applicable	Not Applicable (subject to state law)
i. Your obligations on termination/non-renewal	Not Applicable	Not Applicable
j. Assignment of contract by AFC	Not Applicable	Not Applicable
k. "Transfer" by you – defined	Not Applicable	Not Applicable
l. AFC's approval of your transfer	Not Applicable	Not Applicable
m. Conditions for AFC's approval of transfer	Not Applicable	Not Applicable
n. AFC's right of first refusal to buy your business	Not Applicable	Not Applicable
o. AFC's option to buy your business	Not Applicable	Not Applicable
p. Your death or disability	General Release Section 8.4	The General Release is binding on and inures to the benefit of the parties and their respective heirs, successors and permitted assigns.
q. Non-competition covenants during term of franchise	Not Applicable	Not Applicable (subject to state law)

<b>Provision</b>	<b>Sections In General Release</b>	<b>Summary</b>
r. Non-competition covenants after franchise is terminated or expires	Not Applicable	Not Applicable (subject to state law)
s. Modification of the agreement	General Release Section 8.1	The General Release cannot be modified, altered or otherwise amended except by an agreement in writing.
t. Integration/merger clause	General Release Section 8.2	Only the terms of the Release Agreement is binding (subject to state law). Other promises and representations are not enforceable.
u. Dispute resolution by arbitration or mediation	General Release Sections 6 and 8.8	All disputes must be arbitrated in Los Angeles, California, according to the rules of the American Arbitration Association (subject to state law). Failure to appear may cause a judgment of money to be awarded.
v. Choice of forum	General Release Sections 8.7 and 8.8	All claims, except as precluded by applicable law, must be arbitrated in Los Angeles, California and are subject to state law.
w. Choice of law	General Release Section 8.7	California law applies, except that if any provision of the Agreement would not be enforceable under California law, and if the Food Service Counter is located outside of California and such provision would be enforceable under the laws of the state in which the Food Service Counter is located, then such provision will be interpreted and construed under the laws of the state where the Food Service Counter is located.

**This table lists certain important provisions of the Asset Sale and Purchase Agreement. You should read these provisions in the agreement attached to this Disclosure Document.**

<b>Provision</b>	<b>Sections In Asset Sale and Purchase Agreement</b>	<b>Summary</b>
a. Length of Franchise Term	Not Applicable	Not Applicable
b. Renewal or extension of the term	Not Applicable	Not Applicable
c. Requirements for you to renew or extend	Not Applicable	Not Applicable
d. Termination by you	Secs. 6 & 9.1	You can terminate the Asset Purchase Agreement if the parties do not comply with the Bulk Sales Laws and this requirement has not been waived by you (subject to state law).
e. Termination by us without cause	Sec. 2.1	If the parties are not able to close the sale by the agreed on date we can terminate the Agreement.
f. Termination by us with cause	Secs. 7 & 9.1	We can terminate the Asset Purchase Agreement if your representations and warranties in the Agreement are incorrect, if you have not complied with all requirements and conditions of the Agreement, if you fail to provide information we require prior to closing, or if there are any actions or proceedings pertaining to the transactions contemplated by the agreement, and not waived by us (subject to state law).

<b>Provision</b>	<b>Sections In Asset Sale and Purchase Agreement</b>	<b>Summary</b>
g. "Cause" defined – defaults which can be cured	Not Applicable	Not Applicable (subject to state law)
h. "Cause" defined – defaults which cannot be cured:	Not Applicable	Not Applicable (subject to state law)
i. Your obligations on termination/non-renewal	Not Applicable	Not Applicable
j. Assignment of contract by AFC	Not Applicable	Not Applicable
k. "Transfer" by you – defined	Not Applicable	Not Applicable
l. AFC's approval of your transfer	Not Applicable	Not Applicable
m. Conditions for AFC's approval of transfer	Not Applicable	Not Applicable
n. AFC's right of first refusal to buy your business	Not Applicable	Not Applicable
o. AFC's option to buy your business	Not Applicable	Not Applicable
p. Your death or disability	Not Applicable	Not Applicable
q. Non-competition covenants during term of franchise	Not Applicable	Not Applicable (subject to state law)
r. Non-competition covenants after franchise is terminated or expires	Not Applicable	Not Applicable (subject to state law)
s. Modification of the agreement	Sec. 10.9	No modification except in writing signed by you and us.
t. Integration/merger clause	Sec. 10.5	Only terms of the Agreement and Exhibits are binding, subject to state law. Other promises and representations are not enforceable. Nothing in the agreement is intended to disclaim our representations made in the franchise disclosure document.
u. Dispute resolution by arbitration or mediation	Sec. 10.3	All disputes must be arbitrated in Los Angeles, California, according to the rules of the American Arbitration Association (subject to state law).
v. Choice of forum	Sec. 10.3	Arbitration to be held in Los Angeles, California, subject to state law
w. Choice of law	Sec. 10.4	California law applies, subject to state law.

**This table lists certain important provisions of the Food Service Counter Transfer Agreement. You should read these provisions in the agreement attached to this Disclosure Document.**

<b>Provision</b>	<b>Sections In Food Service Counter Transfer Agreement</b>	<b>Summary</b>
a. Length of Franchise Term	Not Applicable	Not Applicable
b. Renewal or extension of the term	Not Applicable	Not Applicable
c. Requirements for you to renew or extend	Not Applicable	Not Applicable
d. Termination by you	Not Applicable	Not Applicable (subject to state law)
e. Termination by us without cause	Not Applicable	Not Applicable
f. Termination by us with cause	Not Applicable	Not Applicable (subject to state law)

<b>Provision</b>	<b>Sections In Food Service Counter Transfer Agreement</b>	<b>Summary</b>
g. "Cause" defined – defaults which can be cured	Not Applicable	Not Applicable (subject to state law)
h. "Cause" defined – defaults which cannot be cured:	Not Applicable	Not Applicable (subject to state law)
i. Your obligations on termination/non-renewal	Not Applicable	Not Applicable
j. Assignment of contract by AFC	Not Applicable	Not Applicable
k. "Transfer" by you – defined	Not Applicable	Not Applicable
l. AFC's approval of your transfer	Not Applicable	Not Applicable
m. Conditions for AFC's approval of transfer	Not Applicable	Not Applicable
n. AFC's right of first refusal to buy your business	Not Applicable	Not Applicable
o. AFC's option to buy your business	Not Applicable	Not Applicable
p. Your death or disability	Not Applicable	Not Applicable
q. Non-competition covenants during term of franchise	Not Applicable	Not Applicable (subject to state law)
r. Non-competition covenants after franchise is terminated or expires	Not Applicable	Not Applicable (subject to state law)
s. Modification of the agreement	Sec. 13	No modification except in writing signed by you and us.
t. Integration/merger clause	Sec. 13	Only terms of the Agreement are binding. Other promises and representations are not enforceable (subject to state law). Nothing in the agreement is intended to disclaim our representations made in the franchise disclosure document.
u. Dispute resolution by arbitration or mediation	Sec. 10	All disputes must be arbitrated in Los Angeles, California, according to the rules of the American Arbitration Association (subject to state law).
v. Choice of forum	Sec. 10	Arbitration to be held in Los Angeles, California (subject to state law).
w. Choice of law	Sec. 9	California law applies (subject to state law).

**This table lists certain important provisions of the Promissory Note. You should read these provisions in the agreement attached to this Disclosure Document.**

<b>Provision</b>	<b>Sections In Promissory Note</b>	<b>Summary</b>
a. Length of Note Term	Sec. 1	The repayment term varies. You may pay off the Note earlier than its term.
b. Renewal or extension of the term	Not Applicable	Not Applicable
c. Requirements for you to renew or extend	Not Applicable	Not Applicable
d. Termination by you	Sec. 2	The Note is pre-payable on 30 days' notice(subject to state law).
e. Termination by us without cause	Not Applicable	Not Applicable

<b>Provision</b>	<b>Sections In Promissory Note</b>	<b>Summary</b>
f. Termination by us with cause	Not Applicable	Not Applicable (subject to state law)
g. "Cause" defined – defaults which can be cured	Sec. 4	Failure to make any payment within 10 days after due date (subject to state law).
h. "Cause" defined – defaults which cannot be cured:	Sec. 4	Non-curable defaults are listed in the Franchise Agreement and in the Franchise Agreement chart above (subject to state law).
i. Your obligations on termination/non-renewal	Sec. 4	You must immediately pay remaining balance.
j. Assignment of contract by AFC	Sec. 13	No restrictions on our right to assign.
k. "Transfer" by you – defined	Sec. 13	You may not transfer or assign your obligations under the Note.
l. AFC's approval of your transfer	Sec. 13	You may not transfer or assign your obligations under the Note.
m. Conditions for AFC's approval of transfer	Sec. 13	You may not transfer or assign your obligations under the Note.
n. AFC's right of first refusal to buy your business	Not Applicable	Not Applicable
o. AFC's option to buy your business	Not Applicable	Not Applicable
p. Your death or disability	Not Applicable	Not Applicable
q. Non-competition covenants during term of franchise	Not Applicable	Not Applicable (subject to state law)
r. Non-competition covenants after franchise is terminated or expires	Not Applicable	Not Applicable (subject to state law)
s. Modification of the Note	Sec. 14	The Note cannot be modified or amended unless both parties agree in writing.
t. Integration/merger clause	Sec. 15	Only the terms of the Note are binding (subject to state law). You can't claim there are any other promises.
u. Dispute resolution by arbitration or mediation	Not Applicable	Not Applicable (subject to state law).
v. Choice of forum	Sec. 12	Litigation may be brought in Los Angeles, California (subject to state law). We are not precluded from bringing an action in another court.
w. Choice of law	Sec. 9	California law applies (subject to state law).
x. Acceleration	Sec. 4	If you fail to pay any installment within 10 days after its due date, or if you are in default under any of your other agreements or addendums with us, we can accelerate the Note and require you to pay entire unpaid balance and interest.

## **ITEM 18 PUBLIC FIGURES**

We do not use any public figure to promote the franchise.

## **ITEM 19 FINANCIAL PERFORMANCE REPRESENTATIONS**

The FTC's Franchise Rule permits a franchisor to provide information about the actual or potential financial performance of its franchised and/or franchisor-owned outlets, if there is a reasonable basis for the

information, and if the information is included in the disclosure document. Financial performance information that differs from that included in Item 19 may be given only if: (1) a franchisor provides the actual records of an existing outlet you are considering buying; or (2) a franchisor supplements the information provided in this Item 19, for example, by providing information about possible performance at a particular location or under particular circumstances.

We do not make any representations about a franchisee’s future financial performance or the past financial performance of company-owned or franchised outlets. We also do not authorize our employees or representatives to make any such representations either orally or in writing. If you are purchasing an existing outlet, however, we may provide you with the actual records of that outlet. If you receive any other financial performance information or projections of your future income, you should report it to the franchisor’s management by contacting Jeff Seiler, 19700 Mariner Avenue, Torrance, California 90503, Telephone: (310) 604-3200, the Federal Trade Commission, and the appropriate state regulatory agencies.

**ITEM 20 OUTLETS AND FRANCHISEE INFORMATION**

**Table No. 1**  
**Systemwide Outlet Summary**  
**Zenshi Counters**  
**for the years ended March 31 2022, 2023 and 2024<sup>1</sup>**

<u>Outlet Type</u>	<u>Year</u>	<u>Outlets at the Start of the Year</u>	<u>Outlets and the End of the Year</u>	<u>Net Change</u>
<u>Franchised</u>	<u>2022</u>	<u>0</u>	<u>0</u>	<u>0</u>
	<u>2023</u>	<u>0</u>	<u>0</u>	<u>0</u>
	<u>2024</u> <del>2023</del>	<u>0</u>	<u>2,217</u> <del>0</del>	<u>0</u> <del>+2,217</del>
<u>Company Owned</u>	<u>2022</u>	<u>0</u>	<u>0</u>	<u>0</u>
	<u>2023</u>	<u>0</u>	<u>0</u>	<u>0</u>
	<u>2024</u> <del>2023</del>	<u>0</u>	<u>57</u> <del>0</del>	<u>0</u> <del>+57</del>
<u>Total Outlets</u>	<u>2022</u>	<u>0</u>	<u>0</u>	<u>0</u>
	<u>2023</u>	<u>0</u>	<u>0</u>	<u>0</u>
	<u>2024</u> <del>2023</del>	<u>0</u>	<u>2,274</u> <del>0</del>	<u>0</u> <del>+2,274</del>

1. We are in the process of rebranding our AFC Counters to “Zenshi”. As a result, the number of outlets listed as open as of March 31, 2024 is abnormally high.

**Table No. 2**  
**Transfers of Outlets from Franchisees to New Owners (other than the franchisor)**  
**Zenshi Counters**  
**For the years ended March 31 2022, 2023 and 2024**

<u>State</u>	<u>Year</u>	<u>Number of Transfers</u>
<u>All States</u> <u>Alabama</u>	<u>2022</u>	<u>0</u>
	<u>2023</u>	<u>0</u>
	<u>2024</u> <del>2023</del>	<u>1</u> <del>0</del>
<u>California</u>	<u>2022</u>	<u>0</u>
	<u>2023</u>	<u>0</u>
	<u>2024</u>	<u>1</u>
<u>Colorado</u>	<u>2022</u>	<u>0</u>
	<u>2023</u>	<u>0</u>
	<u>2024</u>	<u>1</u>

<u>State</u>	<u>Year</u>	<u>Number of Transfers</u>
<u>Florida</u>	<u>2022</u>	<u>0</u>
	<u>2023</u>	<u>0</u>
	<u>2024</u>	<u>3</u>
<u>Georgia</u>	<u>2022</u>	<u>0</u>
	<u>2023</u>	<u>0</u>
	<u>2024</u>	<u>11</u>
<u>Indiana</u>	<u>2022</u>	<u>0</u>
	<u>2023</u>	<u>0</u>
	<u>2024</u>	<u>1</u>
<u>Kansas</u>	<u>2022</u>	<u>0</u>
	<u>2023</u>	<u>0</u>
	<u>2024</u>	<u>2</u>
<u>Washington</u>	<u>2022</u>	<u>0</u>
	<u>2023</u>	<u>0</u>
	<u>2024</u>	<u>1</u>
<u>TOTALS:</u>	<u>2022</u>	<u>0</u>
	<u>2023</u>	<u>0</u>
	<u>2024</u>	<u>21</u>

**Table No. 3**  
**Status of Franchised Outlets**  
**Zenshi Counters**  
**For years ended March 31 2022<sup>1</sup>, 2023<sup>2</sup> and 2024<sup>1,2</sup>**

<u>State</u>	<u>Year</u>	<u>Outlets at Start of Year</u>	<u>Outlets Opened</u>	<u>Terminations</u>	<u>Non – Renewals</u>	<u>Reacquired by Franchisor</u>	<u>Ceased Operations / Other Reasons</u>	<u>Outlets at End of Year</u>
<u>Alabama</u>	<u>2022</u>	<u>0</u>	<u>0</u>	<u>0</u>	<u>0</u>	<u>0</u>	<u>0</u>	<u>0</u>
	<u>2023</u>	<u>0</u>	<u>0</u>	<u>0</u>	<u>0</u>	<u>0</u>	<u>0</u>	<u>0</u>
	<u>2024</u>	<u>0</u>	<u>90</u>	<u>0</u>	<u>0</u>	<u>0</u>	<u>0</u>	<u>90</u>
<u>Alaska</u>	<u>2022</u>	<u>0</u>	<u>0</u>	<u>0</u>	<u>0</u>	<u>0</u>	<u>0</u>	<u>0</u>
	<u>2023</u>	<u>0</u>	<u>0</u>	<u>0</u>	<u>0</u>	<u>0</u>	<u>0</u>	<u>0</u>
	<u>2024</u>	<u>0</u>	<u>18</u>	<u>1</u>	<u>0</u>	<u>0</u>	<u>0</u>	<u>17</u>
<u>Arizona</u>	<u>2022</u>	<u>0</u>	<u>0</u>	<u>0</u>	<u>0</u>	<u>0</u>	<u>0</u>	<u>0</u>
	<u>2023</u>	<u>0</u>	<u>0</u>	<u>0</u>	<u>0</u>	<u>0</u>	<u>0</u>	<u>0</u>
	<u>2024</u>	<u>0</u>	<u>12</u>	<u>0</u>	<u>0</u>	<u>0</u>	<u>0</u>	<u>12</u>
<u>California</u>	<u>2022</u>	<u>0</u>	<u>0</u>	<u>0</u>	<u>0</u>	<u>0</u>	<u>0</u>	<u>0</u>
	<u>2023</u>	<u>0</u>	<u>0</u>	<u>0</u>	<u>0</u>	<u>0</u>	<u>0</u>	<u>0</u>
	<u>2024</u>	<u>0</u>	<u>255</u>	<u>0</u>	<u>0</u>	<u>0</u>	<u>0</u>	<u>255</u>
<u>Colorado</u>	<u>2022</u>	<u>0</u>	<u>0</u>	<u>0</u>	<u>0</u>	<u>0</u>	<u>0</u>	<u>0</u>
	<u>2023</u>	<u>0</u>	<u>0</u>	<u>0</u>	<u>0</u>	<u>0</u>	<u>0</u>	<u>0</u>
	<u>2024</u>	<u>0</u>	<u>33</u>	<u>0</u>	<u>0</u>	<u>0</u>	<u>0</u>	<u>33</u>
<u>Florida</u>	<u>2022</u>	<u>0</u>	<u>0</u>	<u>0</u>	<u>0</u>	<u>0</u>	<u>0</u>	<u>0</u>
	<u>2023</u>	<u>0</u>	<u>0</u>	<u>0</u>	<u>0</u>	<u>0</u>	<u>0</u>	<u>0</u>
	<u>2024</u>	<u>0</u>	<u>549</u>	<u>0</u>	<u>0</u>	<u>0</u>	<u>1</u>	<u>548</u>
<u>Georgia</u>	<u>2022</u>	<u>0</u>	<u>0</u>	<u>0</u>	<u>0</u>	<u>0</u>	<u>0</u>	<u>0</u>
	<u>2023</u>	<u>0</u>	<u>0</u>	<u>0</u>	<u>0</u>	<u>0</u>	<u>0</u>	<u>0</u>
	<u>2024</u>	<u>0</u>	<u>343</u>	<u>0</u>	<u>0</u>	<u>0</u>	<u>1</u>	<u>342</u>

<u>State</u>	<u>Year</u>	<u>Outlets at Start of Year</u>	<u>Outlets Opened</u>	<u>Terminations</u>	<u>Non – Renewals</u>	<u>Reacquired by Franchisor</u>	<u>Ceased Operations / Other Reasons</u>	<u>Outlets at End of Year</u>
<b>Hawaii</b>	2022	<u>0</u>	<u>0</u>	<u>0</u>	<u>0</u>	<u>0</u>	<u>0</u>	<u>0</u>
	2023	<u>0</u>	<u>0</u>	<u>0</u>	<u>0</u>	<u>0</u>	<u>0</u>	<u>0</u>
	2024	<u>0</u>	<u>24</u>	<u>0</u>	<u>0</u>	<u>0</u>	<u>0</u>	<u>24</u>
<b>Idaho</b>	2022	<u>0</u>	<u>0</u>	<u>0</u>	<u>0</u>	<u>0</u>	<u>0</u>	<u>0</u>
	2023	<u>0</u>	<u>0</u>	<u>0</u>	<u>0</u>	<u>0</u>	<u>0</u>	<u>0</u>
	2024	<u>0</u>	<u>25</u>	<u>0</u>	<u>0</u>	<u>0</u>	<u>0</u>	<u>25</u>
<b>Illinois</b>	2022	<u>0</u>	<u>0</u>	<u>0</u>	<u>0</u>	<u>0</u>	<u>0</u>	<u>0</u>
	2023	<u>0</u>	<u>0</u>	<u>0</u>	<u>0</u>	<u>0</u>	<u>0</u>	<u>0</u>
	2024	<u>0</u>	<u>142</u>	<u>3</u>	<u>1</u>	<u>0</u>	<u>0</u>	<u>138</u>
<b>Indiana</b>	2022	<u>0</u>	<u>0</u>	<u>0</u>	<u>0</u>	<u>0</u>	<u>0</u>	<u>0</u>
	2023	<u>0</u>	<u>0</u>	<u>0</u>	<u>0</u>	<u>0</u>	<u>0</u>	<u>0</u>
	2024	<u>0</u>	<u>78</u>	<u>0</u>	<u>0</u>	<u>0</u>	<u>0</u>	<u>78</u>
<b>Kansas</b>	2022	<u>0</u>	<u>0</u>	<u>0</u>	<u>0</u>	<u>0</u>	<u>0</u>	<u>0</u>
	2023	<u>0</u>	<u>0</u>	<u>0</u>	<u>0</u>	<u>0</u>	<u>0</u>	<u>0</u>
	2024	<u>0</u>	<u>8</u>	<u>0</u>	<u>0</u>	<u>0</u>	<u>0</u>	<u>8</u>
<b>Kentucky</b>	2022	<u>0</u>	<u>0</u>	<u>0</u>	<u>0</u>	<u>0</u>	<u>0</u>	<u>0</u>
	2023	<u>0</u>	<u>0</u>	<u>0</u>	<u>0</u>	<u>0</u>	<u>0</u>	<u>0</u>
	2024	<u>0</u>	<u>69</u>	<u>0</u>	<u>0</u>	<u>0</u>	<u>0</u>	<u>69</u>
<b>Massachusetts</b>	2022	<u>0</u>	<u>0</u>	<u>0</u>	<u>0</u>	<u>0</u>	<u>0</u>	<u>0</u>
	2023	<u>0</u>	<u>0</u>	<u>0</u>	<u>0</u>	<u>0</u>	<u>0</u>	<u>0</u>
	2024	<u>0</u>	<u>18</u>	<u>0</u>	<u>0</u>	<u>0</u>	<u>0</u>	<u>18</u>
<b>Maryland</b>	2022	<u>0</u>	<u>0</u>	<u>0</u>	<u>0</u>	<u>0</u>	<u>0</u>	<u>0</u>
	2023	<u>0</u>	<u>0</u>	<u>0</u>	<u>0</u>	<u>0</u>	<u>0</u>	<u>0</u>
	2024	<u>0</u>	<u>9</u>	<u>0</u>	<u>0</u>	<u>0</u>	<u>0</u>	<u>9</u>
<b>Michigan</b>	2022	<u>0</u>	<u>0</u>	<u>0</u>	<u>0</u>	<u>0</u>	<u>0</u>	<u>0</u>
	2023	<u>0</u>	<u>0</u>	<u>0</u>	<u>0</u>	<u>0</u>	<u>0</u>	<u>0</u>
	2024	<u>0</u>	<u>1</u>	<u>0</u>	<u>0</u>	<u>0</u>	<u>0</u>	<u>1</u>
<b>Missouri</b>	2022	<u>0</u>	<u>0</u>	<u>0</u>	<u>0</u>	<u>0</u>	<u>0</u>	<u>0</u>
	2023	<u>0</u>	<u>0</u>	<u>0</u>	<u>0</u>	<u>0</u>	<u>0</u>	<u>0</u>
	2024	<u>0</u>	<u>4</u>	<u>0</u>	<u>0</u>	<u>0</u>	<u>0</u>	<u>4</u>
<b>Montana</b>	2022	<u>0</u>	<u>0</u>	<u>0</u>	<u>0</u>	<u>0</u>	<u>0</u>	<u>0</u>
	2023	<u>0</u>	<u>0</u>	<u>0</u>	<u>0</u>	<u>0</u>	<u>0</u>	<u>0</u>
	2024	<u>0</u>	<u>20</u>	<u>0</u>	<u>0</u>	<u>0</u>	<u>0</u>	<u>20</u>
<b>Nevada</b>	2022	<u>0</u>	<u>0</u>	<u>0</u>	<u>0</u>	<u>0</u>	<u>0</u>	<u>0</u>
	2023	<u>0</u>	<u>0</u>	<u>0</u>	<u>0</u>	<u>0</u>	<u>0</u>	<u>0</u>
	2024	<u>0</u>	<u>4</u>	<u>0</u>	<u>0</u>	<u>0</u>	<u>0</u>	<u>4</u>
<b>New Mexico</b>	2022	<u>0</u>	<u>0</u>	<u>0</u>	<u>0</u>	<u>0</u>	<u>0</u>	<u>0</u>
	2023	<u>0</u>	<u>0</u>	<u>0</u>	<u>0</u>	<u>0</u>	<u>0</u>	<u>0</u>
	2024	<u>0</u>	<u>3</u>	<u>0</u>	<u>0</u>	<u>0</u>	<u>0</u>	<u>3</u>
<b>North Carolina</b>	2022	<u>0</u>	<u>0</u>	<u>0</u>	<u>0</u>	<u>0</u>	<u>0</u>	<u>0</u>
	2023	<u>0</u>	<u>0</u>	<u>0</u>	<u>0</u>	<u>0</u>	<u>0</u>	<u>0</u>
	2024	<u>0</u>	<u>126</u>	<u>0</u>	<u>0</u>	<u>0</u>	<u>0</u>	<u>126</u>
<b>Ohio</b>	2022	<u>0</u>	<u>0</u>	<u>0</u>	<u>0</u>	<u>0</u>	<u>0</u>	<u>0</u>
	2023	<u>0</u>	<u>0</u>	<u>0</u>	<u>0</u>	<u>0</u>	<u>0</u>	<u>0</u>
	2024	<u>0</u>	<u>2</u>	<u>0</u>	<u>0</u>	<u>0</u>	<u>0</u>	<u>2</u>
<b>Oregon</b>	2022	<u>0</u>	<u>0</u>	<u>0</u>	<u>0</u>	<u>0</u>	<u>0</u>	<u>0</u>

<u>State</u>	<u>Year</u>	<u>Outlets at Start of Year</u>	<u>Outlets Opened</u>	<u>Terminations</u>	<u>Non – Renewals</u>	<u>Reacquired by Franchisor</u>	<u>Ceased Operations / Other Reasons</u>	<u>Outlets at End of Year</u>
	2023	<u>0</u>	<u>0</u>	<u>0</u>	<u>0</u>	<u>0</u>	<u>0</u>	<u>0</u>
	2024	<u>0</u>	<u>41</u>	<u>0</u>	<u>0</u>	<u>0</u>	<u>0</u>	<u>41</u>
<u>South Carolina</u>	2022	<u>0</u>	<u>0</u>	<u>0</u>	<u>0</u>	<u>0</u>	<u>0</u>	<u>0</u>
	2023	<u>0</u>	<u>0</u>	<u>0</u>	<u>0</u>	<u>0</u>	<u>0</u>	<u>0</u>
	2024	<u>0</u>	<u>79</u>	<u>0</u>	<u>0</u>	<u>0</u>	<u>0</u>	<u>79</u>
<u>South Dakota</u>	2022	<u>0</u>	<u>0</u>	<u>0</u>	<u>0</u>	<u>0</u>	<u>0</u>	<u>0</u>
	2023	<u>0</u>	<u>0</u>	<u>0</u>	<u>0</u>	<u>0</u>	<u>0</u>	<u>0</u>
	2024	<u>0</u>	<u>3</u>	<u>0</u>	<u>0</u>	<u>0</u>	<u>0</u>	<u>3</u>
<u>Tennessee</u>	2022	<u>0</u>	<u>0</u>	<u>0</u>	<u>0</u>	<u>0</u>	<u>0</u>	<u>0</u>
	2023	<u>0</u>	<u>0</u>	<u>0</u>	<u>0</u>	<u>0</u>	<u>0</u>	<u>0</u>
	2024	<u>0</u>	<u>102</u>	<u>0</u>	<u>0</u>	<u>0</u>	<u>0</u>	<u>102</u>
<u>Texas</u>	2022	<u>0</u>	<u>0</u>	<u>0</u>	<u>0</u>	<u>0</u>	<u>0</u>	<u>0</u>
	2023	<u>0</u>	<u>0</u>	<u>0</u>	<u>0</u>	<u>0</u>	<u>0</u>	<u>0</u>
	2024	<u>0</u>	<u>39</u>	<u>0</u>	<u>0</u>	<u>0</u>	<u>0</u>	<u>39</u>
<u>Virginia</u>	2022	<u>0</u>	<u>0</u>	<u>0</u>	<u>0</u>	<u>0</u>	<u>0</u>	<u>0</u>
	2023	<u>0</u>	<u>0</u>	<u>0</u>	<u>0</u>	<u>0</u>	<u>0</u>	<u>0</u>
	2024	<u>0</u>	<u>55</u>	<u>0</u>	<u>0</u>	<u>0</u>	<u>0</u>	<u>55</u>
<u>Washington</u>	2022	<u>0</u>	<u>0</u>	<u>0</u>	<u>0</u>	<u>0</u>	<u>0</u>	<u>0</u>
	2023	<u>0</u>	<u>0</u>	<u>0</u>	<u>0</u>	<u>0</u>	<u>0</u>	<u>0</u>
	2024	<u>0</u>	<u>52</u>	<u>2</u>	<u>0</u>	<u>0</u>	<u>0</u>	<u>50</u>
<u>West Virginia</u>	2022	<u>0</u>	<u>0</u>	<u>0</u>	<u>0</u>	<u>0</u>	<u>0</u>	<u>0</u>
	2023	<u>0</u>	<u>0</u>	<u>0</u>	<u>0</u>	<u>0</u>	<u>0</u>	<u>0</u>
	2024	<u>0</u>	<u>22</u>	<u>0</u>	<u>0</u>	<u>0</u>	<u>0</u>	<u>22</u>
<u>TOTALS:</u>	2022	<u>0</u>	<u>0</u>	<u>0</u>	<u>0</u>	<u>0</u>	<u>0</u>	<u>0</u>
	2023	<u>0</u>	<u>0</u>	<u>0</u>	<u>0</u>	<u>0</u>	<u>0</u>	<u>0</u>
	2024 <del>2</del> <del>023</del>	<u>00</u>	<u>2,2260</u>	<u>06</u>	<u>01</u>	<u>00</u>	<u>02</u>	<u>02,217</u>

1. Our fiscal year end is March 31.

2. We are in the process of rebranding our AFC Counters to “Zenshi”. As a result, the number of outlets listed as open as of March 31, 2024 is abnormally high.

**Table No. 4**  
**Status of Company-Owned Outlets**  
**Zenshi Counters**  
**For the years ended March 31 2021~~2~~, 2022~~3~~ and 2023~~4~~**

<u>State</u>	<u>Year</u>	<u>Outlets at Start of Year</u>	<u>Outlets Opened</u>	<u>Outlets Reacquired From Franchisees</u>	<u>Outlets Closed</u>	<u>Outlets Sold To Franchisee</u>	<u>Outlets at End of the Year</u>
<u>All States</u> <u>Alabama</u>	2022	<u>0</u>	<u>0</u>	<u>0</u>	<u>0</u>	<u>0</u>	<u>0</u>
	2023	<u>0</u>	<u>0</u>	<u>0</u>	<u>0</u>	<u>0</u>	<u>0</u>
	2024	<u>0</u>	<u>1</u>	<u>3</u>	<u>0</u>	<u>0</u>	<u>4</u>
<u>Alaska</u>	2022	<u>0</u>	<u>0</u>	<u>0</u>	<u>0</u>	<u>0</u>	<u>0</u>
	2023	<u>0</u>	<u>0</u>	<u>0</u>	<u>0</u>	<u>0</u>	<u>0</u>

<u>State</u>	<u>Year</u>	<u>Outlets at Start of Year</u>	<u>Outlets Opened</u>	<u>Outlets Reacquired From Franchisees</u>	<u>Outlets Closed</u>	<u>Outlets Sold To Franchisee</u>	<u>Outlets at End of the Year</u>
	<u>2024</u>	<u>0</u>	<u>0</u>	<u>1</u>	<u>0</u>	<u>0</u>	<u>1</u>
<u>California</u>	<u>2022</u>	<u>0</u>	<u>0</u>	<u>0</u>	<u>0</u>	<u>0</u>	<u>0</u>
	<u>2023</u>	<u>0</u>	<u>0</u>	<u>0</u>	<u>0</u>	<u>0</u>	<u>0</u>
	<u>2024</u>	<u>0</u>	<u>0</u>	<u>1</u>	<u>0</u>	<u>0</u>	<u>1</u>
<u>Colorado</u>	<u>2022</u>	<u>0</u>	<u>0</u>	<u>0</u>	<u>0</u>	<u>0</u>	<u>0</u>
	<u>2023</u>	<u>0</u>	<u>0</u>	<u>0</u>	<u>0</u>	<u>0</u>	<u>0</u>
	<u>2024</u>	<u>0</u>	<u>0</u>	<u>2</u>	<u>0</u>	<u>0</u>	<u>2</u>
<u>Delaware</u>	<u>2022</u>	<u>0</u>	<u>0</u>	<u>0</u>	<u>0</u>	<u>0</u>	<u>0</u>
	<u>2023</u>	<u>0</u>	<u>0</u>	<u>0</u>	<u>0</u>	<u>0</u>	<u>0</u>
	<u>2024</u>	<u>0</u>	<u>0</u>	<u>2</u>	<u>0</u>	<u>0</u>	<u>2</u>
<u>Georgia</u>	<u>2022</u>	<u>0</u>	<u>0</u>	<u>0</u>	<u>0</u>	<u>0</u>	<u>0</u>
	<u>2023</u>	<u>0</u>	<u>0</u>	<u>0</u>	<u>0</u>	<u>0</u>	<u>0</u>
	<u>2024</u>	<u>0</u>	<u>1</u>	<u>0</u>	<u>0</u>	<u>0</u>	<u>1</u>
<u>Idaho</u>	<u>2022</u>	<u>0</u>	<u>0</u>	<u>0</u>	<u>0</u>	<u>0</u>	<u>0</u>
	<u>2023</u>	<u>0</u>	<u>0</u>	<u>0</u>	<u>0</u>	<u>0</u>	<u>0</u>
	<u>2024</u>	<u>0</u>	<u>1</u>	<u>1</u>	<u>0</u>	<u>0</u>	<u>2</u>
<u>Illinois</u>	<u>2022</u>	<u>0</u>	<u>0</u>	<u>0</u>	<u>0</u>	<u>0</u>	<u>0</u>
	<u>2023</u>	<u>0</u>	<u>0</u>	<u>0</u>	<u>0</u>	<u>0</u>	<u>0</u>
	<u>2024</u>	<u>0</u>	<u>1</u>	<u>11</u>	<u>0</u>	<u>0</u>	<u>12</u>
<u>Indiana</u>	<u>2022</u>	<u>0</u>	<u>0</u>	<u>0</u>	<u>0</u>	<u>0</u>	<u>0</u>
	<u>2023</u>	<u>0</u>	<u>0</u>	<u>0</u>	<u>0</u>	<u>0</u>	<u>0</u>
	<u>2024</u>	<u>0</u>	<u>1</u>	<u>0</u>	<u>0</u>	<u>0</u>	<u>1</u>
<u>Massachusetts</u>	<u>2022</u>	<u>0</u>	<u>0</u>	<u>0</u>	<u>0</u>	<u>0</u>	<u>0</u>
	<u>2023</u>	<u>0</u>	<u>0</u>	<u>0</u>	<u>0</u>	<u>0</u>	<u>0</u>
	<u>2024</u>	<u>0</u>	<u>2</u>	<u>3</u>	<u>0</u>	<u>0</u>	<u>5</u>
<u>Maryland</u>	<u>2022</u>	<u>0</u>	<u>0</u>	<u>0</u>	<u>0</u>	<u>0</u>	<u>0</u>
	<u>2023</u>	<u>0</u>	<u>0</u>	<u>0</u>	<u>0</u>	<u>0</u>	<u>0</u>
	<u>2024</u>	<u>0</u>	<u>0</u>	<u>2</u>	<u>0</u>	<u>0</u>	<u>2</u>
<u>Montana</u>	<u>2022</u>	<u>0</u>	<u>0</u>	<u>0</u>	<u>0</u>	<u>0</u>	<u>0</u>
	<u>2023</u>	<u>0</u>	<u>0</u>	<u>0</u>	<u>0</u>	<u>0</u>	<u>0</u>
	<u>2024</u>	<u>0</u>	<u>1</u>	<u>0</u>	<u>0</u>	<u>0</u>	<u>1</u>
<u>Oregon</u>	<u>2022</u>	<u>0</u>	<u>0</u>	<u>0</u>	<u>0</u>	<u>0</u>	<u>0</u>
	<u>2023</u>	<u>0</u>	<u>0</u>	<u>0</u>	<u>0</u>	<u>0</u>	<u>0</u>
	<u>2024</u>	<u>0</u>	<u>3</u>	<u>2</u>	<u>0</u>	<u>0</u>	<u>5</u>
<u>South Carolina</u>	<u>2022</u>	<u>0</u>	<u>0</u>	<u>0</u>	<u>0</u>	<u>0</u>	<u>0</u>
	<u>2023</u>	<u>0</u>	<u>0</u>	<u>0</u>	<u>0</u>	<u>0</u>	<u>0</u>
	<u>2024</u>	<u>0</u>	<u>1</u>	<u>0</u>	<u>0</u>	<u>0</u>	<u>1</u>
<u>Virginia</u>	<u>2022</u>	<u>0</u>	<u>0</u>	<u>0</u>	<u>0</u>	<u>0</u>	<u>0</u>
	<u>2023</u>	<u>0</u>	<u>0</u>	<u>0</u>	<u>0</u>	<u>0</u>	<u>0</u>
	<u>2024</u>	<u>0</u>	<u>0</u>	<u>1</u>	<u>0</u>	<u>0</u>	<u>1</u>
<u>Washington</u>	<u>2022</u>	<u>0</u>	<u>0</u>	<u>0</u>	<u>0</u>	<u>0</u>	<u>0</u>
	<u>2023</u>	<u>0</u>	<u>0</u>	<u>0</u>	<u>0</u>	<u>0</u>	<u>0</u>
	<u>2024</u>	<u>0</u>	<u>8</u>	<u>8</u>	<u>0</u>	<u>0</u>	<u>16</u>
<u>TOTALS:</u>	<u>2022</u>	<u>0</u>	<u>0</u>	<u>0</u>	<u>0</u>	<u>0</u>	<u>0</u>
	<u>2023</u>	<u>0</u>	<u>0</u>	<u>0</u>	<u>0</u>	<u>0</u>	<u>0</u>

<u>State</u>	<u>Year</u>	<u>Outlets at Start of Year</u>	<u>Outlets Opened</u>	<u>Outlets Reacquired From Franchisees</u>	<u>Outlets Closed</u>	<u>Outlets Sold To Franchisee</u>	<u>Outlets at End of the Year</u>
	<u>2024</u>	<u>0</u>	<u>20</u>	<u>37*</u>	<u>0</u>	<u>0</u>	<u>57</u>
	<u>2023</u>	<u>0</u>	<u>0</u>	<u>0</u>	<u>0</u>	<u>0</u>	<u>0</u>

\* All 37 “Zenshi” outlets listed as reacquired from franchisees are former AFC Food Service Counters we required from franchisees and rebranded as company-owned Zenshi Counters.

**Table No. 5**  
**Zenshi Counters**  
**Projected Openings as of March 31, 2023~~4~~**

<u>State</u>	<u>Franchise Agreements Signed But Outlet Not Opened</u>	<u>Projected New Franchised Outlet in the Next Fiscal Year</u>	<u>Projected New Company-Owned Outlets in the Next Fiscal Year</u>
<u>Arizona</u>	<u>0</u>	<u>2</u>	<u>0</u>
<u>Arkansas</u>	<u>0</u>	<u>1</u>	<u>0</u>
<u>California</u>	<u>0</u>	<u>10</u>	<u>0</u>
<u>Colorado</u>	<u>0</u>	<u>2</u>	<u>0</u>
<u>Connecticut</u>	<u>0</u>	<u>1</u>	<u>0</u>
<u>Georgia</u>	<u>0</u>	<u>1</u>	<u>0</u>
<u>Idaho</u> <u>Massachusetts</u>	<u>0</u>	<u>+2</u>	<u>0</u>
<u>Louisiana</u> <u>Ohio</u>	<u>0</u>	<u>+1</u>	<u>0</u>
<u>New York</u> <u>Oklahoma</u>	<u>0</u>	<u>+2</u>	<u>0</u>
<u>Oregon</u> <u>Texas</u>	<u>0</u>	<u>+12</u>	<u>0</u>
<u>Utah</u>	<u>0</u>	<u>2</u>	<u>0</u>
<u>Washington</u>	<u>0</u>	<u>2</u>	<u>0</u>
<b>TOTALS</b>	<u>0</u>	<u>384</u>	<u>0</u>

**Table No. 1**  
**Systemwide Outlet Summary**  
**AFC Food Service Counters**  
**for the years ended March 31 ~~2021~~2022, 2022-2023 and 2023~~2024~~<sup>1</sup>**

<u>Outlet Type</u>	<u>Year</u>	<u>Outlets at the Start of the Year</u>	<u>Outlets and the End of the Year</u>	<u>Net Change</u>
<b>Franchised</b>	<del>2022</del> 2021	<u>3,973</u> <u>3,973</u>	<u>4,019</u> <u>3,973</u>	<u>+460</u>
	<del>2023</del> 2022	<u>4,019</u> <u>3,973</u>	<u>4,069</u> <u>4,020</u>	<u>+50</u> <u>+47</u>
	<del>2024</del> 2023	<u>4,020</u> <u>4,069</u>	<u>1,857</u> <u>4,070</u>	<u>+50</u> <u>-2,212</u>
<b>Company Owned</b>	<del>2022</del> 2021	<u>144</u> <u>159</u>	<u>151</u> <u>144</u>	<u>+7</u> <u>-15</u>
	<del>2023</del> 2022	<u>151</u> <u>144</u>	<u>205</u> <u>151</u>	<u>+54</u> <u>+7</u>
	<del>2024</del> 2023	<u>+5</u> <u>205</u>	<u>140</u> <u>205</u>	<u>+54</u> <u>-65</u>
<b>Total Outlets</b>	<del>2022</del> 2021	<u>4,117</u> <u>4,132</u>	<u>4,171</u> <u>4,117</u>	<u>+54</u> <u>-15</u>
	<del>2023</del> 2022	<u>4,171</u> <u>4,117</u>	<u>4,275</u> <u>4,171</u>	<u>+104</u> <u>+54</u>
	<del>2024</del> 2023	<u>4,171</u> <u>4,275</u>	<u>1,997</u> <u>4,275</u>	<u>-2,278</u> <u>+104</u>

1. — We are in the process of rebranding our AFC Counters to “Zenshi”. As a result, the number of AFC outlets that ceased operations in the above table increased exponentially as of March 31, 2024. While many outlets ceased operating as AFC Counters, the majority are continuing to operate as Zenshi Counters.

**Table No. 2**  
**Transfers of Outlets from Franchisees to New Owners (other than the franchisor)**  
**AFC Food Service Counters**  
**For the years ended March 31 ~~2021~~2022, ~~2022~~2023 and ~~2023~~2024**

State	Year	Number of Transfers
Alaska	<del>2022</del> 2021	<u>3</u> 0
	<del>2023</del> 2022	<u>1</u> 3
	<del>2024</del> 2023	<u>2</u> 1
Alabama	<del>2022</del> 2021	<u>7</u> 6
	<del>2023</del> 2022	<u>3</u> 7
	<del>2024</del> 2023	<u>7</u> 3
Arkansas	<del>2022</del> 2021	<u>1</u> 0
	<del>2023</del> 2022	<u>0</u> 1
	<del>2024</del> 2023	<u>0</u> 0
Arizona	<del>2022</del> 2021	<u>5</u> 0
	<del>2023</del> 2022	<u>5</u> 5
	<del>2024</del> 2023	<u>8</u> 5
California	<del>2022</del> 2021	<u>43</u> 33
	<del>2023</del> 2022	<u>55</u> 43
	<del>2024</del> 2023	<u>48</u> 55
Colorado	<del>2022</del> 2021	<u>3</u> 1
	<del>2023</del> 2022	<u>9</u> 3
	<del>2024</del> 2023	<u>14</u> 9
Connecticut	<del>2022</del> 2021	<u>0</u> 1
	<del>2023</del> 2022	<u>4</u> 0
	<del>2024</del> 2023	<u>2</u> 4
Florida	<del>2022</del> 2021	<u>70</u> 45
	<del>2023</del> 2022	<u>74</u> 70
	<del>2024</del> 2023	<u>52</u> 74
Georgia	<del>2022</del> 2021	<u>30</u> 18
	<del>2023</del> 2022	<u>32</u> 30
	<del>2024</del> 2023	<u>38</u> 32
Hawaii	<del>2022</del> 2021	<u>1</u> 7
	<del>2023</del> 2022	<u>4</u> 1
	<del>2024</del> 2023	<u>4</u> 4
Idaho	<del>2022</del> 2021	<u>1</u> 1
	<del>2023</del> 2022	<u>4</u> 1
	<del>2024</del> 2023	<u>4</u> 4
Iowa	<del>2022</del> 2021	<u>0</u> 0
	<del>2023</del> 2022	<u>0</u> 0
	<del>2024</del> 2023	<u>1</u> 0
Illinois	<del>2022</del> 2021	<u>7</u> 3
	<del>2023</del> 2022	<u>5</u> 7
	<del>2024</del> 2023	<u>10</u> 5
Indiana	<del>2022</del> 2021	<u>16</u> 9

State	Year	Number of Transfers
	<del>2023</del> 2022	<del>20</del> 16
	<del>2024</del> 2023	<del>10</del> 20
<b>Iowa</b>	<del>2022</del>	<del>0</del>
	<del>2023</del>	<del>0</del>
	<del>2024</del>	<del>1</del>
<b>Kansas</b>	<del>2022</del> 2021	<del>8</del> 2
	<del>2023</del> 2022	<del>4</del> 8
	<del>2024</del> 2023	<del>7</del> 4
<b>Kentucky</b>	<del>2022</del> 2021	<del>7</del> 4
	<del>2023</del> 2022	<del>2</del> 7
	<del>2024</del> 2023	<del>9</del> 2
<b>Louisiana</b>	<del>2022</del> 2021	<del>6</del> 6
	<del>2023</del> 2022	<del>10</del> 6
	<del>2024</del> 2023	<del>4</del> 10
<b>Massachusetts</b>	<del>2022</del> 2021	<del>7</del> 1
	<del>2023</del> 2022	<del>2</del> 7
	<del>2024</del> 2023	<del>1</del> 2
<b>Maryland</b>	<del>2022</del> 2021	<del>2</del> 0
	<del>2023</del> 2022	<del>2</del> 2
	<del>2024</del> 2023	<del>4</del> 2
<b>Maine</b>	<del>2021</del>	<del>0</del>
	<del>2022</del>	<del>0</del>
	<del>2023</del>	<del>0</del>
<b>Michigan</b>	<del>2022</del> 2021	<del>3</del> 0
	<del>2023</del> 2022	<del>1</del> 3
	<del>2024</del> 2023	<del>0</del> 1
<b>Minnesota</b>	<del>2022</del> 2021	<del>2</del> 2
	<del>2023</del> 2022	<del>2</del> 2
	<del>2024</del> 2023	<del>2</del> 2
<b>Missouri</b>	<del>2022</del> 2021	<del>1</del> 0
	<del>2023</del> 2022	<del>3</del> 1
	<del>2024</del> 2023	<del>4</del> 3
<b>Mississippi</b>	<del>2022</del> 2021	<del>1</del> 0
	<del>2023</del> 2022	<del>0</del> 1
	<del>2024</del> 2023	<del>0</del> 0
<b>Montana</b>	<del>2022</del> 2021	<del>1</del> 2
	<del>2023</del> 2022	<del>3</del> 1
	<del>2024</del> 2023	<del>1</del> 3
<b>North Carolina</b>	<del>2022</del> 2021	<del>27</del> 13
	<del>2023</del> 2022	<del>34</del> 27
	<del>2024</del> 2023	<del>31</del> 34
<b>North Dakota</b>	<del>2022</del> 2021	<del>1</del> 0
	<del>2023</del> 2022	<del>0</del> 1
	<del>2024</del> 2023	<del>0</del> 0
<b>Nebraska</b>	<del>2022</del> 2021	<del>0</del> 0
	<del>2023</del> 2022	<del>2</del> 0
	<del>2024</del> 2023	<del>4</del> 2
<b>New Jersey</b>	<del>2022</del> 2021	<del>0</del> 1

State	Year	Number of Transfers
	<del>2023</del> 2022	<del>0</del> 0
	<del>2024</del> 2023	<del>0</del> 0
New Mexico	<del>2022</del> 2021	<del>1</del> 1
	<del>2023</del> 2022	<del>6</del> 6
	<del>2024</del> 2023	<del>3</del> 6
	<del>2022</del> 2021	<del>3</del> 0
Nevada	<del>2023</del> 2022	<del>2</del> 3
	<del>2024</del> 2023	<del>1</del> 2
	<del>2022</del> 2021	<del>0</del> 1
New York	<del>2023</del> 2022	<del>6</del> 0
	<del>2024</del> 2023	<del>5</del> 6
	<del>2022</del> 2021	<del>0</del> 1
Ohio	<del>2023</del> 2022	<del>1</del> 0
	<del>2024</del> 2023	<del>0</del> 1
	<del>2022</del> 2021	<del>0</del> 1
<u>Oklahoma</u>	<del>2022</del>	<del>0</del>
	<del>2023</del>	<del>0</del>
	<del>2024</del>	<del>1</del>
Oregon	<del>2022</del> 2021	<del>4</del> 6
	<del>2023</del> 2022	<del>10</del> 4
	<del>2024</del> 2023	<del>4</del> 10
Pennsylvania	<del>2022</del> 2021	<del>1</del> 3
	<del>2023</del> 2022	<del>0</del> 1
	<del>2024</del> 2023	<del>0</del> 0
Rhode Island	<del>2022</del> 2021	<del>0</del> 1
	<del>2023</del> 2022	<del>1</del> 0
	<del>2024</del> 2023	<del>0</del> 1
South Carolina	<del>2022</del> 2021	<del>6</del> 7
	<del>2023</del> 2022	<del>6</del> 6
	<del>2024</del> 2023	<del>7</del> 6
Tennessee	<del>2022</del> 2021	<del>17</del> 4
	<del>2023</del> 2022	<del>4</del> 17
	<del>2024</del> 2023	<del>1</del> 24
Texas	<del>2022</del> 2021	<del>16</del> 8
	<del>2023</del> 2022	<del>17</del> 16
	<del>2024</del> 2023	<del>10</del> 17
Virginia	<del>2022</del> 2021	<del>11</del> 3
	<del>2023</del> 2022	<del>8</del> 11
	<del>2024</del> 2023	<del>7</del> 8
Washington	<del>2022</del> 2021	<del>0</del> 8
	<del>2023</del> 2022	<del>11</del> 0
	<del>2024</del> 2023	<del>14</del> 11
West Virginia	<del>2022</del> 2021	<del>2</del> 0
	<del>2023</del> 2022	<del>1</del> 2
	<del>2024</del> 2023	<del>1</del> 1
<u>Wyoming</u>	<del>2022</del>	<del>0</del>
	<del>2023</del>	<del>0</del>
	<del>2024</del>	<del>1</del>
<b>TOTALS:</b>	<del>2022</del> 2021	<del>315</del> 197

State	Year	Number of Transfers
	<del>2023</del> 2022	<del>354</del> 315
	<del>2024</del> 2023	<del>334</del> 354

**Table No. 3**  
**Status of Franchised Outlets**  
**AFC Food Service Counters**  
For years ended March 31 ~~2021~~2022, ~~2022~~2023 and ~~2023~~2024 <sup>1,3</sup>

State	Year	Outlets at Start of Year	Outlets Opened <sup>2</sup>	Terminations <sup>2</sup>	Non – Renewals <sup>2</sup>	Reacquired by Franchisor	Ceased Operations / Other Reasons <sup>2</sup>	Outlets at End of Year <sup>2</sup>
Alaska	<del>2022</del> 021	<del>2927</del>	<del>15</del>	<del>02</del>	<del>00</del>	<del>00</del>	<del>04</del>	<del>3029</del>
	<del>2023</del> 022	<del>3029</del>	<del>34</del>	<del>10</del>	<del>00</del>	<del>00</del>	<del>100</del>	<del>2230</del>
	<del>2024</del> 023	<del>3022</del>	<del>33</del>	<del>42</del>	<del>00</del>	<del>00</del>	<del>4017</del>	<del>226</del>
Alabama	<del>2022</del> 021	<del>9994</del>	<del>1615</del>	<del>119</del>	<del>00</del>	<del>00</del>	<del>04</del>	<del>10499</del>
	<del>2023</del> 022	<del>10499</del>	<del>2316</del>	<del>1141</del>	<del>20</del>	<del>30</del>	<del>20</del>	<del>109104</del>
	<del>2024</del> 023	<del>109104</del>	<del>1423</del>	<del>445</del>	<del>22</del>	<del>33</del>	<del>290</del>	<del>10923</del>
Arkansas	<del>2022</del> 021	<del>24</del>	<del>10</del>	<del>10</del>	<del>00</del>	<del>10</del>	<del>02</del>	<del>12</del>
	<del>2023</del> 022	<del>12</del>	<del>14</del>	<del>04</del>	<del>00</del>	<del>04</del>	<del>00</del>	<del>24</del>
	<del>2024</del> 023	<del>24</del>	<del>14</del>	<del>01</del>	<del>00</del>	<del>00</del>	<del>00</del>	<del>22</del>
Arizona	<del>2022</del> 021	<del>9482</del>	<del>2619</del>	<del>97</del>	<del>00</del>	<del>00</del>	<del>40</del>	<del>10794</del>
	<del>2023</del> 022	<del>10794</del>	<del>2026</del>	<del>179</del>	<del>00</del>	<del>40</del>	<del>04</del>	<del>106407</del>
	<del>2024</del> 023	<del>106407</del>	<del>2120</del>	<del>4713</del>	<del>01</del>	<del>45</del>	<del>012</del>	<del>10696</del>
California	<del>2022</del> 021	<del>601596</del>	<del>4536</del>	<del>3818</del>	<del>03</del>	<del>90</del>	<del>1240</del>	<del>587601</del>
	<del>2023</del> 022	<del>587601</del>	<del>8045</del>	<del>4738</del>	<del>30</del>	<del>59</del>	<del>1842</del>	<del>594587</del>
	<del>2024</del> 023	<del>594587</del>	<del>2680</del>	<del>4716</del>	<del>33</del>	<del>55</del>	<del>18275</del>	<del>594321</del>
Colorado	<del>2022</del> 021	<del>7069</del>	<del>344</del>	<del>140</del>	<del>00</del>	<del>00</del>	<del>00</del>	<del>7270</del>
	<del>2023</del> 022	<del>7270</del>	<del>33</del>	<del>24</del>	<del>00</del>	<del>00</del>	<del>00</del>	<del>7372</del>
	<del>2024</del> 023	<del>7372</del>	<del>113</del>	<del>26</del>	<del>04</del>	<del>02</del>	<del>033</del>	<del>7339</del>
Connecticut	<del>2022</del> 021	<del>3944</del>	<del>1243</del>	<del>444</del>	<del>04</del>	<del>03</del>	<del>00</del>	<del>4739</del>
	<del>2023</del> 022	<del>4739</del>	<del>442</del>	<del>34</del>	<del>10</del>	<del>10</del>	<del>10</del>	<del>4547</del>
	<del>2024</del> 023	<del>4547</del>	<del>104</del>	<del>36</del>	<del>41</del>	<del>42</del>	<del>40</del>	<del>4546</del>

State	Year	Outlets at Start of Year	Outlets Opened <sup>2</sup>	Terminations <sup>2</sup>	Non – Renewals <sup>2</sup>	Reacquired by Franchisor	Ceased Operations / Other Reasons <sup>2</sup>	Outlets at End of Year <sup>2</sup>
District Of Columbia (Wash, D.C.)	<del>2022</del> 2021	1214	10	00	00	01	41	912
	<del>2023</del> 2022	912	11	10	00	20	04	79
	<del>2024</del> 2023	79	11	10	00	20	00	78
Delaware	<del>2022</del> 2021	44	00	00	00	00	10	34
	<del>2023</del> 2022	34	00	00	00	00	01	33
	<del>2024</del> 2023	33	00	00	02	00	00	31
Florida	<del>2022</del> 2021	836826	4532	138	10	01	1513	852836
	<del>2023</del> 2022	852836	4345	1313	01	00	1415	868852
	<del>2024</del> 2023	868852	3743	1313	00	00	14555	868337
Georgia	<del>2022</del> 2021	313305	4631	2418	14	50	33	326313
	<del>2023</del> 2022	326313	4346	1824	01	05	43	347326
	<del>2024</del> 2023	347326	1943	184	00	00	4342	34720
Hawaii	<del>2022</del> 2021	4146	33	31	00	00	57	3641
	<del>2023</del> 2022	3641	23	03	00	00	05	3836
	<del>2024</del> 2023	3836	32	00	00	00	024	3817
Idaho	<del>2022</del> 2021	2632	24	02	00	00	08	2826
	<del>2023</del> 2022	2826	22	20	00	50	00	2328
	<del>2024</del> 2023	2328	92	23	00	51	025	233
Iowa	<del>2022</del> 2021	13	00	00	00	00	02	11
	<del>2023</del> 2022	11	00	00	00	00	00	11
	<del>2024</del> 2023	11	00	00	00	00	00	11
Illinois	<del>2022</del> 2021	186161	3843	2614	44	00	20	192186
	<del>2023</del> 2022	192186	1938	1526	04	60	52	185192
	<del>2024</del> 2023	185192	1019	157	03	62	5139	18544

State	Year	Outlets at Start of Year	Outlets Opened <sup>2</sup>	Terminations <sup>2</sup>	Non – Renewals <sup>2</sup>	Reacquired by Franchisor	Ceased Operations / Other Reasons <sup>2</sup>	Outlets at End of Year <sup>2</sup>
Indiana	<del>2022</del> 021	108101	1012	03	01	00	11	117108
	<del>2023</del> 022	117108	410	20	00	00	21	117117
	<del>2024</del> 023	117117	134	29	00	00	280	11741
Kansas	<del>2022</del> 021	4237	55	20	10	00	00	4442
	<del>2023</del> 022	4442	25	22	01	20	00	4244
	<del>2024</del> 023	4244	12	20	00	20	08	4235
Kentucky	<del>2022</del> 021	7066	910	55	00	10	11	7270
	<del>2023</del> 022	7270	19	05	00	01	01	7372
	<del>2024</del> 023	7372	31	01	00	00	069	736
Louisiana	<del>2022</del> 021	7475	65	33	20	10	13	7374
	<del>2023</del> 022	7374	66	63	02	41	11	6873
	<del>2024</del> 023	6873	86	64	00	44	122	6846
Massachusetts	<del>2022</del> 021	7575	1112	49	01	02	10	8175
	<del>2023</del> 022	8175	1211	74	10	00	11	8481
	<del>2024</del> 023	8481	1212	711	10	00	119	8466
Maryland	<del>2022</del> 021	2731	14	13	01	03	01	2727
	<del>2023</del> 022	2727	21	01	00	00	20	2727
	<del>2024</del> 023	2727	52	05	00	02	29	2716
Maine	<del>2022</del> 021	22	30	00	00	00	00	52
	<del>2023</del> 022	52	13	10	00	10	00	45
	<del>2024</del> 023	45	01	10	00	10	00	44
Michigan	<del>2022</del> 021	77	20	20	00	00	20	57
	<del>2023</del> 022	57	02	02	00	00	12	45
	<del>2024</del> 023	45	00	00	00	00	11	43

State	Year	Outlets at Start of Year	Outlets Opened <sup>2</sup>	Terminations <sup>2</sup>	Non – Renewals <sup>2</sup>	Reacquired by Franchisor	Ceased Operations / Other Reasons <sup>2</sup>	Outlets at End of Year <sup>2</sup>
Minnesota	<del>2022</del> 2021	2123	31	11	20	01	21	1921
	<del>2023</del> 2022	1921	13	11	02	30	02	1619
	<del>2024</del> 2023	1619	31	11	00	31	01	1616
Missouri	<del>2022</del> 2021	4038	133	101	00	50	00	3840
	<del>2023</del> 2022	3840	713	110	00	05	00	4438
	<del>2024</del> 2023	4438	27	13	00	02	04	4437
Mississippi	<del>2022</del> 2021	1010	21	01	20	10	20	710
	<del>2023</del> 2022	710	12	00	12	01	02	77
	<del>2024</del> 2023	77	11	00	10	00	01	77
Montana	<del>2022</del> 2021	2020	33	22	00	01	00	2120
	<del>2023</del> 2022	2120	43	42	00	10	00	2021
	<del>2024</del> 2023	2021	44	43	00	10	020	201
North Carolina	<del>2022</del> 2021	209204	1218	910	00	01	02	212209
	<del>2023</del> 2022	212209	812	49	10	30	20	210212
	<del>2024</del> 2023	210212	28	43	10	31	2126	21082
North Dakota	<del>2022</del> 2021	22	00	00	00	00	00	22
	<del>2023</del> 2022	22	00	00	00	00	00	22
	<del>2024</del> 2023	22	10	01	00	01	00	21
Nebraska	<del>2022</del> 2021	14	101	00	00	00	03	111
	<del>2023</del> 2022	111	110	10	00	00	00	1111
	<del>2024</del> 2023	1111	11	11	00	00	00	1111
New Hampshire	<del>2022</del> 2021	88	20	20	20	00	10	58
	<del>2023</del> 2022	58	52	12	42	10	11	36
	<del>2024</del> 2023	36	15	10	40	10	10	41

State	Year	Outlets at Start of Year	Outlets Opened <sup>2</sup>	Terminations <sup>2</sup>	Non – Renewals <sup>2</sup>	Reacquired by Franchisor	Ceased Operations / Other Reasons <sup>2</sup>	Outlets at End of Year <sup>2</sup>
New Jersey	<del>2022</del> <del>021</del>	45	<del>02</del>	<del>00</del>	<del>01</del>	<del>11</del>	<del>01</del>	<del>34</del>
	<del>2023</del> <del>022</del>	34	<del>00</del>	<del>00</del>	<del>00</del>	<del>01</del>	<del>00</del>	<del>33</del>
	<del>2024</del> <del>023</del>	33	<del>00</del>	<del>00</del>	<del>00</del>	<del>00</del>	<del>02</del>	<del>31</del>
New Mexico	<del>2022</del> <del>021</del>	2725	<del>32</del>	<del>10</del>	<del>00</del>	<del>00</del>	<del>00</del>	<del>2927</del>
	<del>2023</del> <del>022</del>	2927	<del>13</del>	<del>11</del>	<del>00</del>	<del>00</del>	<del>00</del>	<del>2929</del>
	<del>2024</del> <del>023</del>	2929	<del>31</del>	<del>12</del>	<del>00</del>	<del>00</del>	<del>03</del>	<del>2927</del>
Nevada	<del>2022</del> <del>021</del>	2121	<del>51</del>	<del>30</del>	<del>00</del>	<del>30</del>	<del>21</del>	<del>1821</del>
	<del>2023</del> <del>022</del>	1821	<del>35</del>	<del>03</del>	<del>00</del>	<del>03</del>	<del>102</del>	<del>1118</del>
	<del>2024</del> <del>023</del>	1118	<del>03</del>	<del>00</del>	<del>00</del>	<del>00</del>	<del>104</del>	<del>117</del>
New York	<del>2022</del> <del>021</del>	6382	<del>1015</del>	<del>43</del>	<del>17</del>	<del>37</del>	<del>317</del>	<del>6263</del>
	<del>2023</del> <del>022</del>	6263	<del>1810</del>	<del>44</del>	<del>01</del>	<del>03</del>	<del>53</del>	<del>7162</del>
	<del>2024</del> <del>023</del>	7162	<del>2218</del>	<del>49</del>	<del>02</del>	<del>02</del>	<del>54</del>	<del>7176</del>
Ohio	<del>2022</del> <del>021</del>	1847	<del>14</del>	<del>02</del>	<del>00</del>	<del>00</del>	<del>231</del>	<del>1718</del>
	<del>2023</del> <del>022</del>	1718	<del>21</del>	<del>20</del>	<del>00</del>	<del>30</del>	<del>12</del>	<del>1317</del>
	<del>2024</del> <del>023</del>	1317	<del>02</del>	<del>21</del>	<del>00</del>	<del>30</del>	<del>17</del>	<del>135</del>
Oklahoma	<del>2022</del> <del>021</del>	77	<del>00</del>	<del>00</del>	<del>00</del>	<del>00</del>	<del>00</del>	<del>77</del>
	<del>2023</del> <del>022</del>	77	<del>00</del>	<del>00</del>	<del>00</del>	<del>00</del>	<del>00</del>	<del>77</del>
	<del>2024</del> <del>023</del>	77	<del>10</del>	<del>00</del>	<del>00</del>	<del>00</del>	<del>02</del>	<del>76</del>
Oregon	<del>2022</del> <del>021</del>	7675	<del>78</del>	<del>13</del>	<del>21</del>	<del>00</del>	<del>13</del>	<del>7976</del>
	<del>2023</del> <del>022</del>	7976	<del>77</del>	<del>51</del>	<del>02</del>	<del>00</del>	<del>131</del>	<del>6879</del>
	<del>2024</del> <del>023</del>	6879	<del>157</del>	<del>59</del>	<del>01</del>	<del>03</del>	<del>1341</del>	<del>6829</del>

State	Year	Outlets at Start of Year	Outlets Opened <sup>2</sup>	Terminations <sup>2</sup>	Non – Renewals <sup>2</sup>	Reacquired by Franchisor	Ceased Operations / Other Reasons <sup>2</sup>	Outlets at End of Year <sup>2</sup>
Pennsylvania	<del>2022</del> 021	<del>2421</del>	<del>69</del>	<del>53</del>	<del>11</del>	<del>01</del>	<del>101</del>	<del>1424</del>
	<del>2023</del> 022	<del>1424</del>	<del>66</del>	<del>15</del>	<del>01</del>	<del>00</del>	<del>110</del>	<del>1814</del>
	<del>2024</del> 023	<del>1814</del>	<del>06</del>	<del>11</del>	<del>01</del>	<del>01</del>	<del>15</del>	<del>1810</del>
Puerto Rico	<del>2022</del> 021	<del>11</del>	<del>00</del>	<del>00</del>	<del>00</del>	<del>00</del>	<del>00</del>	<del>11</del>
	<del>2023</del> 022	<del>11</del>	<del>00</del>	<del>00</del>	<del>00</del>	<del>00</del>	<del>00</del>	<del>11</del>
	<del>2024</del> 023	<del>11</del>	<del>00</del>	<del>00</del>	<del>00</del>	<del>00</del>	<del>00</del>	<del>11</del>
Rhode Island	<del>2022</del> 021	<del>1411</del>	<del>04</del>	<del>01</del>	<del>00</del>	<del>00</del>	<del>00</del>	<del>1414</del>
	<del>2023</del> 022	<del>1414</del>	<del>00</del>	<del>00</del>	<del>00</del>	<del>20</del>	<del>00</del>	<del>1214</del>
	<del>2024</del> 023	<del>1214</del>	<del>10</del>	<del>00</del>	<del>00</del>	<del>20</del>	<del>00</del>	<del>1213</del>
South Carolina	<del>2022</del> 021	<del>107106</del>	<del>87</del>	<del>73</del>	<del>00</del>	<del>01</del>	<del>12</del>	<del>107107</del>
	<del>2023</del> 022	<del>107107</del>	<del>118</del>	<del>67</del>	<del>10</del>	<del>00</del>	<del>11</del>	<del>110107</del>
	<del>2024</del> 023	<del>110107</del>	<del>1311</del>	<del>65</del>	<del>13</del>	<del>00</del>	<del>180</del>	<del>11035</del>
South Dakota	<del>2022</del> 021	<del>44</del>	<del>20</del>	<del>00</del>	<del>00</del>	<del>00</del>	<del>00</del>	<del>64</del>
	<del>2023</del> 022	<del>64</del>	<del>02</del>	<del>00</del>	<del>00</del>	<del>00</del>	<del>00</del>	<del>66</del>
	<del>2024</del> 023	<del>66</del>	<del>20</del>	<del>02</del>	<del>00</del>	<del>00</del>	<del>03</del>	<del>63</del>
Tennessee	<del>2022</del> 021	<del>96116</del>	<del>1511</del>	<del>77</del>	<del>00</del>	<del>01</del>	<del>023</del>	<del>10496</del>
	<del>2023</del> 022	<del>10496</del>	<del>1215</del>	<del>57</del>	<del>00</del>	<del>20</del>	<del>10</del>	<del>108104</del>
	<del>2024</del> 023	<del>108104</del>	<del>1112</del>	<del>55</del>	<del>00</del>	<del>20</del>	<del>1102</del>	<del>10812</del>
Texas	<del>2022</del> 021	<del>151142</del>	<del>1315</del>	<del>55</del>	<del>10</del>	<del>00</del>	<del>41</del>	<del>154151</del>
	<del>2023</del> 022	<del>154151</del>	<del>1113</del>	<del>65</del>	<del>01</del>	<del>00</del>	<del>24</del>	<del>157154</del>
	<del>2024</del> 023	<del>157154</del>	<del>911</del>	<del>64</del>	<del>00</del>	<del>03</del>	<del>240</del>	<del>157119</del>
Utah	<del>2022</del> 021	<del>44</del>	<del>00</del>	<del>00</del>	<del>00</del>	<del>00</del>	<del>00</del>	<del>44</del>
	<del>2023</del> 022	<del>44</del>	<del>20</del>	<del>00</del>	<del>00</del>	<del>00</del>	<del>00</del>	<del>64</del>
	<del>2024</del> 023	<del>64</del>	<del>02</del>	<del>01</del>	<del>00</del>	<del>00</del>	<del>01</del>	<del>64</del>

State	Year	Outlets at Start of Year	Outlets Opened <sup>2</sup>	Terminations <sup>2</sup>	Non – Renewals <sup>2</sup>	Reacquired by Franchisor	Ceased Operations / Other Reasons <sup>2</sup>	Outlets at End of Year <sup>2</sup>
Virginia	<del>2022</del> 021	9796	44	10	10	01	92	9097
	<del>2023</del> 022	9097	64	61	01	20	09	8890
	<del>2024</del> 023	8890	156	611	00	24	056	8832
Vermont	<del>2022</del> 021	117	24	10	00	00	00	1211
	<del>2023</del> 022	1211	32	21	00	00	00	1312
	<del>2024</del> 023	1312	03	20	00	00	01	1312
Washington	<del>2022</del> 021	151168	1722	78	03	00	3228	129151
	<del>2023</del> 022	129151	4217	117	10	00	032	159129
	<del>2024</del> 023	159129	2742	1111	14	09	051	159111
Wisconsin	<del>2022</del> 021	34	01	00	00	00	01	33
	<del>2023</del> 022	33	00	00	00	00	00	33
	<del>2024</del> 023	33	00	00	00	00	02	31
West Virginia	<del>2022</del> 021	1413	132	50	00	00	11	2114
	<del>2023</del> 022	2114	213	15	00	30	01	1921
	<del>2024</del> 023	2119	42	10	00	30	022	191
Wyoming	<del>2022</del> 021	1111	02	00	02	00	00	1111
	<del>2023</del> 022	1111	20	10	00	00	00	1211
	<del>2024</del> 023	1211	52	10	00	00	05	1212
TOTALS:	<del>2022</del> 021	3,973,973	437,400	218,173	19,30	3025	122,172	4,019,3,973
	<del>2023</del> 022	4,019,973	427,437	211,218	15,19	5331	98,122	4,069,4,020
	<del>2024</del> 023	4,020,069	350,427	179,211	27,15	5353	2,303,98	1,857,4,070

1. Our fiscal year end is March 31.

2. For some entries in the above chart, after a franchisee stopped operating a location due to termination, nonrenewal or other reason, and without AFC taking over operation, another franchisee was granted a franchise for the location. The location may have operated continuously, without interruption, or only a brief closure. In

the table, these are counted as “Outlets Opened.” See Exhibit M for more detailed information on the number of new outlets (outlets not previously in existence) opened in our last fiscal year.

3. We are in the process of rebranding our AFC Counters to “Zenshi”. As a result, the number of AFC outlets that ceased operations in the above table increased exponentially as of March 31, 2024. While many outlets ceased operating as AFC Counters, the majority are continuing to operate as Zenshi Counters.

**Table No. 4**  
**Status of Company-Owned Outlets**  
**AFC Food Service Counters**  
**For the years ended March 31 ~~2021~~2022, ~~2022~~2023 and ~~2023~~2024**

State	Year	Outlets at Start of Year	Outlets Opened	Outlets Reacquired From Franchisees	Outlets Closed	Outlets Sold To Franchisee	Outlets at End of the Year
Alabama	<del>2022</del> 2021	44	00	00	00	20	24
	<del>2023</del> 2022	24	10	30	00	02	62
	<del>2024</del> 2023	62	14	33	00	08	62
Alaska	<del>2022</del> 2021	24	00	00	00	02	22
	<del>2023</del> 2022	22	10	00	00	20	12
	<del>2024</del> 2023	12	04	00	00	21	40
Arizona	<del>2022</del> 2021	74	00	00	00	17	67
	<del>2023</del> 2022	67	20	40	00	04	126
	<del>2024</del> 2023	126	12	45	00	05	1213
Arkansas	<del>2022</del> 2021	00	00	10	00	00	10
	<del>2023</del> 2022	10	00	04	00	10	04
	<del>2024</del> 2023	04	00	00	00	40	00
California	<del>2022</del> 2021	138	75	90	50	00	2413
	<del>2023</del> 2022	2413	137	59	65	00	3624
	<del>2024</del> 2023	3624	813	55	69	022	3618
Colorado	<del>2022</del> 2021	55	00	00	00	20	35
	<del>2023</del> 2022	35	10	00	00	22	23
	<del>2024</del> 2023	23	14	02	00	23	22
Connecticut	<del>2022</del> 2021	72	02	03	00	60	17
	<del>2023</del> 2022	17	10	10	10	06	24
	<del>2024</del> 2023	24	14	12	40	03	22
District Of Columbia (Wash, D.C.)	<del>2022</del> 2021	10	00	04	10	00	04
	<del>2023</del> 2022	04	20	20	04	00	40
	<del>2024</del> 2023	40	02	20	01	02	41
Florida	<del>2022</del> 2021	32	00	04	00	10	23
	<del>2023</del> 2022	23	10	00	10	14	12
	<del>2024</del> 2023	12	04	00	40	41	40
Georgia	<del>2022</del> 2021	14	04	50	10	04	54
	<del>2023</del> 2022	54	10	05	04	50	15
	<del>2024</del> 2023	15	04	00	00	51	40
Hawaii	<del>2022</del> 2021	04	00	00	00	04	00
	<del>2023</del> 2022	00	00	00	00	00	00
	<del>2024</del> 2023	00	00	00	00	00	00
Idaho	<del>2022</del> 2021	12	04	00	04	14	04

State	Year	Outlets at Start of Year	Outlets Opened	Outlets Reacquired From Franchisees	Outlets Closed	Outlets Sold To Franchisee	Outlets at End of the Year
	<del>2023</del> 2022	<u>0</u> <del>1</del>	<u>0</u> <del>0</del>	<u>5</u> <del>0</del>	<u>0</u> <del>0</del>	<u>0</u> <del>1</del>	<u>5</u> <del>0</del>
	<del>2024</del> 2023	<u>5</u> <del>0</del>	<u>3</u> <del>0</del>	<u>5</u> <del>1</del>	<u>0</u> <del>0</del>	<u>0</u> <del>6</del>	<u>5</u> <del>3</del>
Illinois	<del>2022</del> 2021	<u>1</u> <del>1</del> <del>9</del>	<u>3</u> <del>2</del>	<u>0</u> <del>0</del>	<u>5</u> <del>0</del>	<u>0</u> <del>1</del> <del>0</del>	<u>9</u> <del>1</del> <del>1</del>
	<del>2023</del> 2022	<u>9</u> <del>1</del> <del>1</del>	<u>1</u> <del>0</del> <del>3</del>	<u>6</u> <del>0</del>	<u>2</u> <del>5</del>	<u>0</u> <del>0</del>	<u>2</u> <del>3</del> <del>9</del>
	<del>2024</del> 2023	<u>2</u> <del>3</del> <del>9</del>	<u>0</u> <del>1</del> <del>0</del>	<u>6</u> <del>2</del>	<u>2</u> <del>0</del>	<u>0</u> <del>1</del> <del>8</del>	<u>2</u> <del>3</del> <del>7</del>
Indiana	<del>2022</del> 2021	<u>1</u> <del>2</del>	<u>0</u> <del>1</del>	<u>0</u> <del>0</del>	<u>0</u> <del>0</del>	<u>0</u> <del>2</del>	<u>1</u> <del>1</del>
	<del>2023</del> 2022	<u>1</u> <del>1</del>	<u>0</u> <del>0</del>	<u>0</u> <del>0</del>	<u>0</u> <del>0</del>	<u>1</u> <del>0</del>	<u>0</u> <del>1</del>
	<del>2024</del> 2023	<u>0</u> <del>1</del>	<u>0</u> <del>0</del>	<u>0</u> <del>0</del>	<u>0</u> <del>0</del>	<u>1</u> <del>0</del>	<u>0</u> <del>0</del>
Kansas	<del>2022</del> 2021	<u>1</u> <del>0</del>	<u>0</u> <del>1</del>	<u>0</u> <del>0</del>	<u>0</u> <del>0</del>	<u>1</u> <del>0</del>	<u>0</u> <del>1</del>
	<del>2023</del> 2022	<u>0</u> <del>1</del>	<u>0</u> <del>0</del>	<u>2</u> <del>0</del>	<u>0</u> <del>0</del>	<u>0</u> <del>1</del>	<u>2</u> <del>0</del>
	<del>2024</del> 2023	<u>2</u> <del>0</del>	<u>0</u> <del>0</del>	<u>2</u> <del>0</del>	<u>0</u> <del>0</del>	<u>0</u> <del>1</del>	<u>2</u> <del>1</del>
Kentucky	<del>2022</del> 2021	<u>0</u> <del>2</del>	<u>0</u> <del>0</del>	<u>1</u> <del>0</del>	<u>0</u> <del>0</del>	<u>0</u> <del>2</del>	<u>1</u> <del>0</del>
	<del>2023</del> 2022	<u>1</u> <del>0</del>	<u>0</u> <del>0</del>	<u>0</u> <del>1</del>	<u>0</u> <del>0</del>	<u>1</u> <del>0</del>	<u>0</u> <del>1</del>
	<del>2024</del> 2023	<u>0</u> <del>1</del>	<u>0</u> <del>0</del>	<u>0</u> <del>0</del>	<u>0</u> <del>0</del>	<u>1</u> <del>0</del>	<u>0</u> <del>0</del>
Louisiana	<del>2022</del> 2021	<u>0</u> <del>1</del>	<u>0</u> <del>0</del>	<u>1</u> <del>0</del>	<u>0</u> <del>1</del>	<u>0</u> <del>0</del>	<u>1</u> <del>0</del>
	<del>2023</del> 2022	<u>1</u> <del>0</del>	<u>0</u> <del>0</del>	<u>4</u> <del>1</del>	<u>1</u> <del>0</del>	<u>1</u> <del>0</del>	<u>3</u> <del>1</del>
	<del>2024</del> 2023	<u>3</u> <del>1</del>	<u>0</u> <del>0</del>	<u>4</u> <del>4</del>	<u>1</u> <del>0</del>	<u>1</u> <del>3</del>	<u>3</u> <del>4</del>
Maine	<del>2022</del> 2021	<u>4</u> <del>4</del>	<u>0</u> <del>0</del>	<u>0</u> <del>0</del>	<u>0</u> <del>0</del>	<u>3</u> <del>0</del>	<u>1</u> <del>4</del>
	<del>2023</del> 2022	<u>1</u> <del>4</del>	<u>0</u> <del>0</del>	<u>1</u> <del>0</del>	<u>0</u> <del>0</del>	<u>0</u> <del>3</del>	<u>2</u> <del>1</del>
	<del>2024</del> 2023	<u>2</u> <del>1</del>	<u>0</u> <del>0</del>	<u>1</u> <del>0</del>	<u>0</u> <del>0</del>	<u>0</u> <del>0</del>	<u>2</u> <del>2</del>
Maryland	<del>2022</del> 2021	<u>3</u> <del>0</del>	<u>0</u> <del>0</del>	<u>0</u> <del>3</del>	<u>1</u> <del>0</del>	<u>1</u> <del>0</del>	<u>1</u> <del>3</del>
	<del>2023</del> 2022	<u>1</u> <del>3</del>	<u>0</u> <del>0</del>	<u>0</u> <del>0</del>	<u>1</u> <del>1</del>	<u>0</u> <del>1</del>	<u>0</u> <del>1</del>
	<del>2024</del> 2023	<u>0</u> <del>1</del>	<u>1</u> <del>0</del>	<u>0</u> <del>2</del>	<u>1</u> <del>0</del>	<u>0</u> <del>2</del>	<u>0</u> <del>1</del>
Massachusetts	<del>2022</del> 2021	<u>2</u> <del>2</del> <del>18</del>	<u>0</u> <del>2</del>	<u>0</u> <del>2</del>	<u>5</u> <del>0</del>	<u>2</u> <del>0</del>	<u>1</u> <del>5</del> <del>22</del>
	<del>2023</del> 2022	<u>1</u> <del>5</del> <del>22</del>	<u>2</u> <del>0</del>	<u>0</u> <del>0</del>	<u>0</u> <del>5</del>	<u>2</u> <del>2</del>	<u>1</u> <del>5</del> <del>15</del>
	<del>2024</del> 2023	<u>1</u> <del>5</del> <del>15</del>	<u>0</u> <del>2</del>	<u>0</u> <del>0</del>	<u>0</u> <del>1</del>	<u>2</u> <del>1<del>0</del></del>	<u>1</u> <del>5</del> <del>4</del>
Minnesota	<del>2022</del> 2021	<u>3</u> <del>2</del>	<u>0</u> <del>0</del>	<u>0</u> <del>1</del>	<u>0</u> <del>0</del>	<u>0</u> <del>0</del>	<u>3</u> <del>3</del>
	<del>2023</del> 2022	<u>3</u> <del>3</del>	<u>0</u> <del>0</del>	<u>3</u> <del>0</del>	<u>1</u> <del>0</del>	<u>1</u> <del>0</del>	<u>4</u> <del>3</del>
	<del>2024</del> 2023	<u>4</u> <del>3</del>	<u>1</u> <del>0</del>	<u>3</u> <del>1</del>	<u>1</u> <del>1</del>	<u>1</u> <del>2</del>	<u>4</u> <del>3</del>
Missouri	<del>2022</del> 2021	<u>0</u> <del>1</del>	<u>2</u> <del>0</del>	<u>5</u> <del>0</del>	<u>0</u> <del>0</del>	<u>0</u> <del>1</del>	<u>7</u> <del>0</del>
	<del>2023</del> 2022	<u>7</u> <del>0</del>	<u>0</u> <del>2</del>	<u>0</u> <del>5</del>	<u>0</u> <del>0</del>	<u>7</u> <del>0</del>	<u>0</u> <del>7</del>
	<del>2024</del> 2023	<u>0</u> <del>7</del>	<u>2</u> <del>0</del>	<u>0</u> <del>0</del>	<u>0</u> <del>0</del>	<u>7</u> <del>0</del>	<u>0</u> <del>2</del>
Mississippi	<del>2022</del> 2021	<u>0</u> <del>1</del>	<u>0</u> <del>0</del>	<u>1</u> <del>0</del>	<u>1</u> <del>1</del>	<u>0</u> <del>0</del>	<u>0</u> <del>0</del>
	<del>2023</del> 2022	<u>0</u> <del>0</del>	<u>2</u> <del>0</del>	<u>0</u> <del>1</del>	<u>0</u> <del>1</del>	<u>0</u> <del>0</del>	<u>2</u> <del>0</del>
	<del>2024</del> 2023	<u>2</u> <del>0</del>	<u>0</u> <del>2</del>	<u>0</u> <del>0</del>	<u>0</u> <del>0</del>	<u>0</u> <del>1</del>	<u>2</u> <del>1</del>
Montana	<del>2022</del> 2021	<u>2</u> <del>1</del>	<u>0</u> <del>0</del>	<u>0</u> <del>1</del>	<u>0</u> <del>0</del>	<u>1</u> <del>0</del>	<u>1</u> <del>2</del>
	<del>2023</del> 2022	<u>1</u> <del>2</del>	<u>0</u> <del>0</del>	<u>1</u> <del>0</del>	<u>0</u> <del>0</del>	<u>0</u> <del>1</del>	<u>2</u> <del>1</del>
	<del>2024</del> 2023	<u>2</u> <del>1</del>	<u>0</u> <del>0</del>	<u>1</u> <del>2</del>	<u>0</u> <del>0</del>	<u>0</u> <del>4</del>	<u>2</u> <del>0</del>
Nevada	<del>2022</del> 2021	<u>0</u> <del>0</del>	<u>0</u> <del>0</del>	<u>3</u> <del>0</del>	<u>0</u> <del>0</del>	<u>0</u> <del>0</del>	<u>0</u> <del>0</del>
	<del>2023</del> 2022	<u>3</u> <del>0</del>	<u>0</u> <del>0</del>	<u>0</u> <del>3</del>	<u>3</u> <del>0</del>	<u>0</u> <del>0</del>	<u>0</u> <del>0</del>
	<del>2024</del> 2023	<u>0</u> <del>3</del>	<u>0</u> <del>0</del>	<u>0</u> <del>0</del>	<u>3</u> <del>0</del>	<u>0</u> <del>0</del>	<u>0</u> <del>0</del>
New Hampshire	<del>2022</del> 2021	<u>4</u> <del>4</del>	<u>0</u> <del>0</del>	<u>1</u> <del>0</del>	<u>0</u> <del>0</del>	<u>0</u> <del>0</del>	<u>5</u> <del>4</del>
	<del>2023</del> 2022	<u>5</u> <del>4</del>	<u>1</u> <del>0</del>	<u>1</u> <del>1</del>	<u>0</u> <del>0</del>	<u>0</u> <del>0</del>	<u>7</u> <del>5</del>
	<del>2024</del> 2023	<u>7</u> <del>5</del>	<u>0</u> <del>1</del>	<u>1</u> <del>0</del>	<u>0</u> <del>1</del>	<u>0</u> <del>0</del>	<u>7</u> <del>6</del>
New Jersey	<del>2022</del> 2021	<u>2</u> <del>2</del>	<u>0</u> <del>0</del>	<u>1</u> <del>1</del>	<u>3</u> <del>1</del>	<u>0</u> <del>0</del>	<u>0</u> <del>2</del>
	<del>2023</del> 2022	<u>0</u> <del>2</del>	<u>0</u> <del>0</del>	<u>0</u> <del>1</del>	<u>0</u> <del>3</del>	<u>0</u> <del>0</del>	<u>0</u> <del>0</del>

State	Year	Outlets at Start of Year	Outlets Opened	Outlets Reacquired From Franchisees	Outlets Closed	Outlets Sold To Franchisee	Outlets at End of the Year
	<del>2024</del> <del>2023</del>	<u>00</u>	<u>00</u>	<u>00</u>	<u>00</u>	<u>00</u>	<u>00</u>
New Mexico	<del>2022</del> <del>2021</del>	<u>01</u>	<u>00</u>	<u>00</u>	<u>00</u>	<u>01</u>	<u>00</u>
	<del>2023</del> <del>2022</del>	<u>00</u>	<u>00</u>	<u>00</u>	<u>00</u>	<u>00</u>	<u>00</u>
	<del>2024</del> <del>2023</del>	<u>00</u>	<u>20</u>	<u>00</u>	<u>00</u>	<u>02</u>	<u>00</u>
New York	<del>2022</del> <del>2021</del>	<u>12</u>	<u>10</u>	<u>37</u>	<u>38</u>	<u>00</u>	<u>21</u>
	<del>2023</del> <del>2022</del>	<u>21</u>	<u>131</u>	<u>03</u>	<u>03</u>	<u>10</u>	<u>142</u>
	<del>2024</del> <del>2023</del>	<u>142</u>	<u>1113</u>	<u>02</u>	<u>00</u>	<u>111</u>	<u>1416</u>
North Carolina	<del>2022</del> <del>2021</del>	<u>21</u>	<u>00</u>	<u>01</u>	<u>10</u>	<u>00</u>	<u>12</u>
	<del>2023</del> <del>2022</del>	<u>12</u>	<u>00</u>	<u>30</u>	<u>01</u>	<u>20</u>	<u>21</u>
	<del>2024</del> <del>2023</del>	<u>21</u>	<u>00</u>	<u>31</u>	<u>00</u>	<u>22</u>	<u>21</u>
North Dakota	<del>2022</del>	<u>0</u>	<u>0</u>	<u>0</u>	<u>0</u>	<u>0</u>	<u>0</u>
	<del>2023</del>	<u>0</u>	<u>0</u>	<u>0</u>	<u>0</u>	<u>0</u>	<u>0</u>
	<del>2024</del>	<u>0</u>	<u>0</u>	<u>1</u>	<u>0</u>	<u>0</u>	<u>1</u>
Ohio	<del>2022</del> <del>2021</del>	<u>12</u>	<u>00</u>	<u>00</u>	<u>00</u>	<u>01</u>	<u>11</u>
	<del>2023</del> <del>2022</del>	<u>11</u>	<u>00</u>	<u>30</u>	<u>20</u>	<u>00</u>	<u>21</u>
	<del>2024</del> <del>2023</del>	<u>21</u>	<u>00</u>	<u>30</u>	<u>22</u>	<u>00</u>	<u>20</u>
Oklahoma	<del>2021</del>	<u>0</u>	<u>0</u>	<u>0</u>	<u>0</u>	<u>0</u>	<u>0</u>
	<del>2022</del>	<u>0</u>	<u>0</u>	<u>0</u>	<u>0</u>	<u>0</u>	<u>0</u>
	<del>2023</del>	<u>0</u>	<u>0</u>	<u>0</u>	<u>0</u>	<u>0</u>	<u>0</u>
Oregon	<del>2022</del> <del>2021</del>	<u>69</u>	<u>00</u>	<u>00</u>	<u>10</u>	<u>03</u>	<u>56</u>
	<del>2023</del> <del>2022</del>	<u>56</u>	<u>30</u>	<u>00</u>	<u>01</u>	<u>00</u>	<u>85</u>
	<del>2024</del> <del>2023</del>	<u>85</u>	<u>13</u>	<u>03</u>	<u>00</u>	<u>08</u>	<u>84</u>
Pennsylvania	<del>2022</del> <del>2021</del>	<u>11</u>	<u>40</u>	<u>01</u>	<u>21</u>	<u>00</u>	<u>31</u>
	<del>2023</del> <del>2022</del>	<u>31</u>	<u>24</u>	<u>00</u>	<u>02</u>	<u>30</u>	<u>23</u>
	<del>2024</del> <del>2023</del>	<u>23</u>	<u>12</u>	<u>01</u>	<u>00</u>	<u>30</u>	<u>24</u>
Rhode Island	<del>2022</del> <del>2021</del>	<u>02</u>	<u>00</u>	<u>00</u>	<u>00</u>	<u>02</u>	<u>00</u>
	<del>2023</del> <del>2022</del>	<u>00</u>	<u>00</u>	<u>20</u>	<u>00</u>	<u>00</u>	<u>20</u>
	<del>2024</del> <del>2023</del>	<u>20</u>	<u>00</u>	<u>20</u>	<u>00</u>	<u>01</u>	<u>21</u>
South Carolina	<del>2022</del> <del>2021</del>	<u>10</u>	<u>00</u>	<u>01</u>	<u>00</u>	<u>00</u>	<u>11</u>
	<del>2023</del> <del>2022</del>	<u>11</u>	<u>10</u>	<u>00</u>	<u>00</u>	<u>00</u>	<u>21</u>
	<del>2024</del> <del>2023</del>	<u>21</u>	<u>01</u>	<u>00</u>	<u>00</u>	<u>02</u>	<u>20</u>
Tennessee	<del>2022</del> <del>2021</del>	<u>65</u>	<u>00</u>	<u>01</u>	<u>00</u>	<u>50</u>	<u>16</u>
	<del>2023</del> <del>2022</del>	<u>16</u>	<u>10</u>	<u>20</u>	<u>00</u>	<u>05</u>	<u>41</u>
	<del>2024</del> <del>2023</del>	<u>41</u>	<u>11</u>	<u>20</u>	<u>00</u>	<u>03</u>	<u>42</u>
Texas	<del>2022</del> <del>2021</del>	<u>65</u>	<u>01</u>	<u>00</u>	<u>10</u>	<u>00</u>	<u>56</u>
	<del>2023</del> <del>2022</del>	<u>56</u>	<u>00</u>	<u>00</u>	<u>11</u>	<u>10</u>	<u>35</u>
	<del>2024</del> <del>2023</del>	<u>35</u>	<u>140</u>	<u>03</u>	<u>10</u>	<u>13</u>	<u>317</u>
Utah	<del>2022</del> <del>2021</del>	<u>22</u>	<u>10</u>	<u>00</u>	<u>00</u>	<u>00</u>	<u>32</u>
	<del>2023</del> <del>2022</del>	<u>32</u>	<u>01</u>	<u>00</u>	<u>00</u>	<u>20</u>	<u>13</u>
	<del>2024</del> <del>2023</del>	<u>13</u>	<u>00</u>	<u>00</u>	<u>01</u>	<u>20</u>	<u>10</u>
Virginia	<del>2022</del> <del>2021</del>	<u>11</u>	<u>00</u>	<u>01</u>	<u>01</u>	<u>00</u>	<u>11</u>
	<del>2023</del> <del>2022</del>	<u>11</u>	<u>00</u>	<u>20</u>	<u>00</u>	<u>10</u>	<u>21</u>
	<del>2024</del> <del>2023</del>	<u>21</u>	<u>30</u>	<u>24</u>	<u>00</u>	<u>19</u>	<u>20</u>
Vermont	<del>2022</del> <del>2021</del>	<u>15</u>	<u>00</u>	<u>00</u>	<u>00</u>	<u>04</u>	<u>11</u>
	<del>2023</del> <del>2022</del>	<u>11</u>	<u>00</u>	<u>00</u>	<u>00</u>	<u>00</u>	<u>11</u>

State	Year	Outlets at Start of Year	Outlets Opened	Outlets Reacquired From Franchisees	Outlets Closed	Outlets Sold To Franchisee	Outlets at End of the Year
	<del>2024</del> <del>2023</del>	<del>1</del> <del>1</del>	<del>1</del> <del>0</del>	<del>0</del> <del>0</del>	<del>0</del> <del>0</del>	<del>0</del> <del>0</del>	<del>1</del> <del>2</del>
Washington	<del>2022</del> <del>2021</del>	<del>26</del> <del>23</del>	<del>18</del> <del>7</del>	<del>0</del> <del>0</del>	<del>11</del> <del>1</del>	<del>2</del> <del>3</del>	<del>31</del> <del>26</del>
	<del>2023</del> <del>2022</del>	<del>31</del> <del>26</del>	<del>9</del> <del>8</del>	<del>0</del> <del>0</del>	<del>0</del> <del>1</del>	<del>12</del> <del>2</del>	<del>28</del> <del>31</del>
	<del>2024</del> <del>2023</del>	<del>28</del> <del>31</del>	<del>7</del> <del>9</del>	<del>0</del> <del>0</del>	<del>0</del> <del>1</del>	<del>12</del> <del>23</del>	<del>28</del> <del>20</del>
West Virginia	<del>2022</del> <del>2021</del>	<del>0</del> <del>0</del>	<del>1</del> <del>0</del>	<del>0</del> <del>0</del>	<del>0</del> <del>0</del>	<del>0</del> <del>0</del>	<del>1</del> <del>0</del>
	<del>2023</del> <del>2022</del>	<del>1</del> <del>0</del>	<del>0</del> <del>1</del>	<del>3</del> <del>0</del>	<del>0</del> <del>0</del>	<del>0</del> <del>0</del>	<del>4</del> <del>1</del>
	<del>2024</del> <del>2023</del>	<del>4</del> <del>1</del>	<del>0</del> <del>0</del>	<del>3</del> <del>0</del>	<del>0</del> <del>0</del>	<del>0</del> <del>4</del>	<del>4</del> <del>0</del>
Wyoming	<del>2022</del> <del>2021</del>	<del>0</del> <del>0</del>	<del>1</del> <del>0</del>	<del>0</del> <del>0</del>	<del>0</del> <del>0</del>	<del>0</del> <del>0</del>	<del>1</del> <del>0</del>
	<del>2023</del> <del>2022</del>	<del>1</del> <del>0</del>	<del>0</del> <del>1</del>	<del>0</del> <del>0</del>	<del>0</del> <del>0</del>	<del>1</del> <del>0</del>	<del>0</del> <del>1</del>
	<del>2024</del> <del>2023</del>	<del>0</del> <del>1</del>	<del>0</del> <del>0</del>	<del>0</del> <del>0</del>	<del>0</del> <del>0</del>	<del>1</del> <del>0</del>	<del>0</del> <del>0</del>
TOTALS	<del>2022</del> <del>2021</del>	<del>144</del> <del>159</del>	<del>45</del> <del>16</del>	<del>31</del> <del>25</del>	<del>41</del> <del>15</del>	<del>28</del> <del>41</del>	<del>151</del> <del>144</del>
	<del>2023</del> <del>2022</del>	<del>151</del> <del>144</del>	<del>67</del> <del>45</del>	<del>53</del> <del>31</del>	<del>19</del> <del>41</del>	<del>47</del> <del>28</del>	<del>205</del> <del>151</del>
	<del>2024</del> <del>2023</del>	<del>151</del> <del>205</del>	<del>60</del> <del>67</del>	<del>53</del> <del>53</del>	<del>19</del> <del>17</del>	<del>47</del> <del>161</del>	<del>205</del> <del>140</del>

**Table No. 5**  
**AFC Food Service Counters**  
**Projected Openings as of March 31, ~~2023~~2024**

State	Franchise Agreements Signed But Outlet Not Opened	Projected New Franchised Outlet in the Next Fiscal Year	Projected New Company-Owned Outlets in the Next Fiscal Year
Alabama	0	3	0
Alaska	0	1	0
Arizona	0	5	0
California	0	7	0
Colorado	0	5	0
Connecticut	0	4	0
District Of Columbia (Wash, D.C.)	0	4	0
Florida	0	8	0
Georgia	0	7	0
Hawaii	0	3	0
Illinois	<del>0</del> <del>0</del>	<del>10</del> <del>5</del>	<del>0</del> <del>0</del>
Indiana	0	7	<del>0</del> <del>0</del>
Kentucky	0	2	<del>0</del> <del>0</del>
Massachusetts	0	5	<del>0</del> <del>0</del>
Maryland	0	2	<del>0</del> <del>0</del>
Michigan	0	1	<del>0</del> <del>0</del>
Minnesota	0	1	<del>0</del> <del>0</del>
Missouri	<del>0</del>	<del>1</del>	<del>0</del>
Nebraska	<del>0</del> <del>0</del>	1	<del>0</del> <del>0</del>
New Hampshire	<del>0</del> <del>0</del>	1	<del>0</del> <del>0</del>
New Jersey	<del>0</del> <del>0</del>	1	<del>0</del> <del>0</del>
New York	<del>0</del> <del>0</del>	5	<del>0</del> <del>0</del>
North Carolina	<del>0</del> <del>0</del>	3	<del>0</del> <del>0</del>

State	Franchise Agreements Signed But Outlet Not Opened	Projected New Franchised Outlet in the Next Fiscal Year	Projected New Company-Owned Outlets in the Next Fiscal Year
<u>Ohio</u>	<u>0</u>	<u>1</u>	<u>0</u>
<u>Oklahoma</u>	<u>0</u>	<u>2</u>	<u>0</u>
<u>Oregon</u>	<u>0</u>	<u>6</u>	<u>0</u>
<u>Pennsylvania</u>	<u>0</u>	<u>1</u>	<u>0</u>
<u>South Carolina</u>	<u>0</u>	<u>4</u>	<u>0</u>
<u>Tennessee</u>	<u>0</u>	<u>6</u>	<u>0</u>
<u>Texas</u>	<u>0</u>	<u>9</u>	<u>0</u>
<u>Virginia</u>	<u>0</u>	<u>2</u>	<u>0</u>
<u>Washington</u>	<u>0</u>	<u>6</u>	<u>0</u>
<u>West Virginia</u>	<u>0</u>	<u>2</u>	<u>0</u>
<u>Wisconsin</u>	<u>0</u>	<u>1</u>	<u>0</u>
<b>TOTALS</b>	<u>0</u>	<u>31</u>	<u>0</u>

**Table No. 1**  
**Systemwide Outlet Summary**  
**Wild Blue Counters**  
for the years ended March 31 ~~2021~~2022, ~~2022~~2023 and ~~2023~~2024

Outlet Type	Year	Outlets at the Start of the Year	Outlets and the End of the Year	Net Change
<b>Franchised</b>	<del>2022</del> <u>2021</u>	<u>0</u>	<u>380</u>	<u>+380</u>
	<del>2023</del> <u>2022</u>	<u>380</u>	<u>6638</u>	<u>+28+38</u>
	<del>2024</del> <u>2023</u>	<u>3866</u>	<u>12666</u>	<u>+60+28</u>
<b>Company Owned</b>	<del>2022</del> <u>2021</u>	<u>60</u>	<u>266</u>	<u>+20+6</u>
	<del>2023</del> <u>2022</u>	<u>266</u>	<u>926</u>	<u>-17+20</u>
	<del>2024</del> <u>2023</u>	<u>269</u>	<u>419</u>	<u>-17+32</u>
<b>Total Outlets</b>	<del>2022</del> <u>2021</u>	<u>60</u>	<u>646</u>	<u>+58+6</u>
	<del>2023</del> <u>2022</u>	<u>646</u>	<u>7564</u>	<u>+11+58</u>
	<del>2024</del> <u>2023</u>	<u>6475</u>	<u>20175</u>	<u>+11+126</u>

**Table No. 2**  
**Transfers of Outlets from Franchisees to New Owners (other than the franchisor)**  
**Wild Blue Counters**  
For the years ended March 31 ~~2021~~2022, ~~2022~~2023 and ~~2023~~2024

State	Year	Number of Transfers
<u>California</u>	<u>2022</u>	<u>0</u>
	<u>2023</u>	<u>0</u>
	<u>2024</u>	<u>1</u>
<b>Florida</b>	<del>2022</del> <u>2021</u>	<u>0</u>
	<del>2023</del> <u>2022</u>	<u>10</u>
	<del>2024</del> <u>2023</u>	<u>0</u>
<b>New York</b>	<del>2022</del> <u>2021</u>	<u>0</u>
	<del>2023</del> <u>2022</u>	<u>10</u>
	<del>2024</del> <u>2023</u>	<u>1</u>

State	Year	Number of Transfers
North Carolina	<del>2022</del> 2021	<u>0</u>
	<del>2023</del> 2022	<u>1</u>
	<del>2024</del> 2023	<u>1</u>
Virginia	<del>2022</del> 2021	<u>0</u>
	<del>2023</del> 2022	<u>1</u>
	<del>2024</del> 2023	<u>0</u>
Texas	<del>2022</del> 2021	<u>0</u>
	<del>2023</del> 2022	<u>1</u>
	<del>2024</del> 2023	<u>3</u>
<u>Utah</u>	<del>2022</del>	<u>0</u>
	<del>2023</del>	<u>0</u>
	<del>2024</del>	<u>1</u>
TOTALS:	<del>2022</del> 2021	<u>0</u>
	<del>2023</del> 2022	<u>5</u>
	<del>2024</del> 2023	<u>9</u>

**Table No. 3**  
**Status of Franchised Outlets**  
**Wild Blue Counters**  
For years ended March 31 ~~2021~~2022, ~~2022~~2023 and ~~2023~~2024 <sup>1</sup>

State	Year	Outlets at Start of Year	Outlets Opened	Terminations	Non – Renewals	Reacquired by Franchisor	Ceased Operations / Other Reasons	Outlets at End of Year
Alabama	<del>2022</del> 2021	<u>0</u>	<u>1</u>	<u>0</u>	<u>0</u>	<u>0</u>	<u>0</u>	<u>1</u>
	<del>2023</del> 2022	<u>1</u>	<u>0</u>	<u>0</u>	<u>0</u>	<u>0</u>	<u>0</u>	<u>1</u>
	<del>2024</del> 2023	<u>1</u>	<u>0</u>	<u>0</u>	<u>0</u>	<u>0</u>	<u>0</u>	<u>1</u>
Arizona	<del>2022</del> 2021	<u>0</u>	<u>3</u>	<u>0</u>	<u>0</u>	<u>0</u>	<u>0</u>	<u>3</u>
	<del>2023</del> 2022	<u>3</u>	<u>0</u>	<u>0</u>	<u>0</u>	<u>0</u>	<u>0</u>	<u>3</u>
	<del>2024</del> 2023	<u>3</u>	<u>2</u>	<u>0</u>	<u>0</u>	<u>0</u>	<u>0</u>	<u>3</u>
California	<del>2022</del> 2021	<u>0</u>	<u>10</u>	<u>0</u>	<u>0</u>	<u>0</u>	<u>0</u>	<u>10</u>
	<del>2023</del> 2022	<u>10</u>	<u>8</u>	<u>0</u>	<u>0</u>	<u>0</u>	<u>1</u>	<u>17</u>
	<del>2024</del> 2023	<u>17</u>	<u>13</u>	<u>0</u>	<u>0</u>	<u>0</u>	<u>1</u>	<u>17</u>
<u>Colorado</u>	<del>2022</del>	<u>0</u>	<u>0</u>	<u>0</u>	<u>0</u>	<u>0</u>	<u>0</u>	<u>0</u>
	<del>2023</del>	<u>0</u>	<u>0</u>	<u>0</u>	<u>0</u>	<u>0</u>	<u>0</u>	<u>0</u>
	<del>2024</del>	<u>0</u>	<u>1</u>	<u>0</u>	<u>0</u>	<u>0</u>	<u>0</u>	<u>1</u>
<u>Connecticut</u>	<del>2022</del>	<u>0</u>	<u>0</u>	<u>0</u>	<u>0</u>	<u>0</u>	<u>0</u>	<u>0</u>
	<del>2023</del>	<u>0</u>	<u>0</u>	<u>0</u>	<u>0</u>	<u>0</u>	<u>0</u>	<u>0</u>
	<del>2024</del>	<u>0</u>	<u>1</u>	<u>0</u>	<u>0</u>	<u>0</u>	<u>0</u>	<u>1</u>

State	Year	Outlets at Start of Year	Outlets Opened	Terminations	Non – Renewals	Reacquired by Franchisor	Ceased Operations / Other Reasons	Outlets at End of Year
District Of Columbia (Wash, D.C.)	<del>2022</del> <del>021</del>	<del>00</del>	<del>10</del>	<del>00</del>	<del>00</del>	<del>00</del>	<del>00</del>	<del>10</del>
	<del>2023</del> <del>022</del>	<del>10</del>	<del>01</del>	<del>00</del>	<del>00</del>	<del>00</del>	<del>00</del>	<del>11</del>
	<del>2024</del> <del>023</del>	<del>11</del>	<del>20</del>	<del>01</del>	<del>00</del>	<del>01</del>	<del>00</del>	<del>11</del>
Florida	<del>2022</del> <del>021</del>	<del>00</del>	<del>20</del>	<del>00</del>	<del>00</del>	<del>00</del>	<del>00</del>	<del>20</del>
	<del>2023</del> <del>022</del>	<del>20</del>	<del>02</del>	<del>00</del>	<del>00</del>	<del>00</del>	<del>00</del>	<del>22</del>
	<del>2024</del> <del>023</del>	<del>22</del>	<del>30</del>	<del>00</del>	<del>00</del>	<del>00</del>	<del>00</del>	<del>25</del>
Georgia	<del>2022</del> <del>021</del>	<del>00</del>	<del>10</del>	<del>00</del>	<del>00</del>	<del>00</del>	<del>00</del>	<del>10</del>
	<del>2023</del> <del>022</del>	<del>10</del>	<del>01</del>	<del>00</del>	<del>00</del>	<del>00</del>	<del>10</del>	<del>01</del>
	<del>2024</del> <del>023</del>	<del>01</del>	<del>10</del>	<del>00</del>	<del>00</del>	<del>00</del>	<del>10</del>	<del>01</del>
Illinois	<del>2022</del> <del>021</del>	<del>00</del>	<del>20</del>	<del>00</del>	<del>00</del>	<del>00</del>	<del>00</del>	<del>20</del>
	<del>2023</del> <del>022</del>	<del>20</del>	<del>32</del>	<del>10</del>	<del>00</del>	<del>00</del>	<del>00</del>	<del>42</del>
	<del>2024</del> <del>023</del>	<del>42</del>	<del>43</del>	<del>11</del>	<del>00</del>	<del>01</del>	<del>00</del>	<del>46</del>
<u>Indiana</u>	<del>2022</del>	<del>0</del>	<del>0</del>	<del>0</del>	<del>0</del>	<del>0</del>	<del>0</del>	<del>0</del>
	<del>2023</del>	<del>0</del>	<del>2</del>	<del>1</del>	<del>0</del>	<del>0</del>	<del>0</del>	<del>1</del>
	<del>2024</del>	<del>1</del>	<del>1</del>	<del>0</del>	<del>0</del>	<del>0</del>	<del>1</del>	<del>1</del>
Kentucky	<del>2022</del> <del>021</del>	<del>00</del>	<del>10</del>	<del>00</del>	<del>00</del>	<del>00</del>	<del>00</del>	<del>10</del>
	<del>2023</del> <del>022</del>	<del>10</del>	<del>01</del>	<del>00</del>	<del>00</del>	<del>00</del>	<del>00</del>	<del>11</del>
	<del>2024</del> <del>023</del>	<del>11</del>	<del>00</del>	<del>00</del>	<del>00</del>	<del>00</del>	<del>00</del>	<del>11</del>
<u>Louisiana</u>	<del>2022</del>	<del>0</del>	<del>0</del>	<del>0</del>	<del>0</del>	<del>0</del>	<del>0</del>	<del>0</del>
	<del>2023</del>	<del>0</del>	<del>0</del>	<del>0</del>	<del>0</del>	<del>0</del>	<del>0</del>	<del>0</del>
	<del>2024</del>	<del>0</del>	<del>3</del>	<del>0</del>	<del>0</del>	<del>0</del>	<del>0</del>	<del>3</del>
Maryland	<del>2022</del> <del>021</del>	<del>00</del>	<del>10</del>	<del>00</del>	<del>00</del>	<del>00</del>	<del>00</del>	<del>10</del>
	<del>2023</del> <del>022</del>	<del>10</del>	<del>41</del>	<del>20</del>	<del>00</del>	<del>00</del>	<del>00</del>	<del>31</del>
	<del>2024</del> <del>023</del>	<del>31</del>	<del>24</del>	<del>22</del>	<del>00</del>	<del>01</del>	<del>01</del>	<del>13</del>
<u>Massachusetts</u>	<del>2022</del>	<del>0</del>	<del>0</del>	<del>0</del>	<del>0</del>	<del>0</del>	<del>0</del>	<del>0</del>
	<del>2023</del>	<del>0</del>	<del>3</del>	<del>0</del>	<del>0</del>	<del>0</del>	<del>0</del>	<del>3</del>
	<del>2024</del>	<del>3</del>	<del>7</del>	<del>0</del>	<del>0</del>	<del>0</del>	<del>0</del>	<del>10</del>
Michigan	<del>2022</del> <del>021</del>	<del>00</del>	<del>10</del>	<del>00</del>	<del>00</del>	<del>00</del>	<del>00</del>	<del>10</del>

State	Year	Outlets at Start of Year	Outlets Opened	Terminations	Non – Renewals	Reacquired by Franchisor	Ceased Operations / Other Reasons	Outlets at End of Year
	<del>2023</del> <del>2022</del>	<del>10</del>	<del>04</del>	<del>00</del>	<del>00</del>	<del>00</del>	<del>00</del>	<del>14</del>
	<del>2024</del> <del>2023</del>	<del>14</del>	<del>10</del>	<del>00</del>	<del>00</del>	<del>00</del>	<del>00</del>	<del>12</del>
Minnesota	<del>2022</del> <del>2021</del>	<del>00</del>	<del>00</del>	<del>00</del>	<del>00</del>	<del>00</del>	<del>00</del>	<del>00</del>
	<del>2023</del> <del>2022</del>	<del>00</del>	<del>30</del>	<del>10</del>	<del>00</del>	<del>00</del>	<del>00</del>	<del>20</del>
	<del>2024</del> <del>2023</del>	<del>20</del>	<del>03</del>	<del>40</del>	<del>00</del>	<del>00</del>	<del>00</del>	<del>22</del>
Missouri	<del>2022</del> <del>2021</del>	<del>00</del>	<del>00</del>	<del>00</del>	<del>00</del>	<del>00</del>	<del>00</del>	<del>00</del>
	<del>2023</del> <del>2022</del>	<del>00</del>	<del>10</del>	<del>00</del>	<del>00</del>	<del>00</del>	<del>00</del>	<del>10</del>
	<del>2024</del> <del>2023</del>	<del>10</del>	<del>14</del>	<del>00</del>	<del>00</del>	<del>00</del>	<del>00</del>	<del>12</del>
New Hampshire	<del>2022</del> <del>2021</del>	<del>00</del>	<del>10</del>	<del>00</del>	<del>00</del>	<del>00</del>	<del>00</del>	<del>10</del>
	<del>2023</del> <del>2022</del>	<del>10</del>	<del>04</del>	<del>00</del>	<del>00</del>	<del>00</del>	<del>10</del>	<del>04</del>
	<del>2024</del> <del>2023</del>	<del>04</del>	<del>00</del>	<del>00</del>	<del>00</del>	<del>00</del>	<del>40</del>	<del>00</del>
New Jersey	<del>2022</del>	<del>0</del>	<del>0</del>	<del>0</del>	<del>0</del>	<del>0</del>	<del>0</del>	<del>0</del>
	<del>2023</del>	<del>0</del>	<del>1</del>	<del>0</del>	<del>0</del>	<del>0</del>	<del>0</del>	<del>1</del>
	<del>2024</del>	<del>1</del>	<del>2</del>	<del>0</del>	<del>0</del>	<del>0</del>	<del>0</del>	<del>3</del>
New Mexico	<del>2022</del>	<del>0</del>	<del>0</del>	<del>0</del>	<del>0</del>	<del>0</del>	<del>0</del>	<del>0</del>
	<del>2023</del>	<del>0</del>	<del>0</del>	<del>0</del>	<del>0</del>	<del>0</del>	<del>0</del>	<del>0</del>
	<del>2024</del>	<del>0</del>	<del>1</del>	<del>0</del>	<del>0</del>	<del>0</del>	<del>0</del>	<del>1</del>
New York	<del>2022</del> <del>2021</del>	<del>00</del>	<del>10</del>	<del>00</del>	<del>00</del>	<del>00</del>	<del>00</del>	<del>10</del>
	<del>2023</del> <del>2022</del>	<del>10</del>	<del>24</del>	<del>00</del>	<del>00</del>	<del>00</del>	<del>00</del>	<del>34</del>
	<del>2024</del> <del>2023</del>	<del>34</del>	<del>52</del>	<del>01</del>	<del>00</del>	<del>01</del>	<del>00</del>	<del>36</del>
North Carolina	<del>2022</del> <del>2021</del>	<del>00</del>	<del>10</del>	<del>00</del>	<del>00</del>	<del>00</del>	<del>00</del>	<del>10</del>
	<del>2023</del> <del>2022</del>	<del>10</del>	<del>34</del>	<del>00</del>	<del>00</del>	<del>00</del>	<del>00</del>	<del>34</del>
	<del>2024</del> <del>2023</del>	<del>34</del>	<del>53</del>	<del>00</del>	<del>00</del>	<del>00</del>	<del>01</del>	<del>37</del>
Ohio	<del>2022</del>	<del>0</del>	<del>0</del>	<del>0</del>	<del>0</del>	<del>0</del>	<del>0</del>	<del>0</del>
	<del>2023</del>	<del>0</del>	<del>0</del>	<del>0</del>	<del>0</del>	<del>0</del>	<del>0</del>	<del>0</del>
	<del>2024</del>	<del>0</del>	<del>4</del>	<del>0</del>	<del>0</del>	<del>0</del>	<del>0</del>	<del>4</del>
Oklahoma	<del>2022</del>	<del>0</del>	<del>0</del>	<del>0</del>	<del>0</del>	<del>0</del>	<del>0</del>	<del>0</del>
	<del>2023</del>	<del>0</del>	<del>0</del>	<del>0</del>	<del>0</del>	<del>0</del>	<del>0</del>	<del>0</del>
	<del>2024</del>	<del>0</del>	<del>1</del>	<del>0</del>	<del>0</del>	<del>0</del>	<del>0</del>	<del>1</del>
Oregon	<del>2022</del> <del>2021</del>	<del>00</del>	<del>10</del>	<del>00</del>	<del>00</del>	<del>00</del>	<del>00</del>	<del>10</del>

State	Year	Outlets at Start of Year	Outlets Opened	Terminations	Non – Renewals	Reacquired by Franchisor	Ceased Operations / Other Reasons	Outlets at End of Year
	<u>2023</u> <u>2022</u>	<u>10</u>	<u>1+</u>	<u>00</u>	<u>00</u>	<u>00</u>	<u>00</u>	<u>2+</u>
	<u>2024</u> <u>2023</u>	<u>2+</u>	<u>0+</u>	<u>00</u>	<u>00</u>	<u>00</u>	<u>01</u>	<u>21</u>
Pennsylvania	<u>2022</u> <u>2021</u>	<u>00</u>	<u>60</u>	<u>00</u>	<u>00</u>	<u>00</u>	<u>00</u>	<u>60</u>
	<u>2023</u> <u>2022</u>	<u>60</u>	<u>26</u>	<u>10</u>	<u>00</u>	<u>00</u>	<u>10</u>	<u>66</u>
	<u>2024</u> <u>2023</u>	<u>66</u>	<u>82</u>	<u>10</u>	<u>00</u>	<u>00</u>	<u>12</u>	<u>612</u>
Rhode Island	<u>2022</u>	<u>0</u>	<u>0</u>	<u>0</u>	<u>0</u>	<u>0</u>	<u>0</u>	<u>0</u>
	<u>2023</u>	<u>0</u>	<u>0</u>	<u>0</u>	<u>0</u>	<u>0</u>	<u>0</u>	<u>0</u>
	<u>2024</u>	<u>0</u>	<u>1</u>	<u>0</u>	<u>0</u>	<u>0</u>	<u>0</u>	<u>1</u>
South Carolina	<u>2022</u> <u>2021</u>	<u>00</u>	<u>10</u>	<u>00</u>	<u>00</u>	<u>00</u>	<u>00</u>	<u>10</u>
	<u>2023</u> <u>2022</u>	<u>10</u>	<u>0+</u>	<u>00</u>	<u>00</u>	<u>00</u>	<u>10</u>	<u>0+</u>
	<u>2024</u> <u>2023</u>	<u>0+</u>	<u>00</u>	<u>00</u>	<u>00</u>	<u>00</u>	<u>10</u>	<u>00</u>
Tennessee	<u>2022</u>	<u>0</u>	<u>0</u>	<u>0</u>	<u>0</u>	<u>0</u>	<u>0</u>	<u>0</u>
	<u>2023</u>	<u>0</u>	<u>0</u>	<u>0</u>	<u>0</u>	<u>0</u>	<u>0</u>	<u>0</u>
	<u>2024</u>	<u>0</u>	<u>1</u>	<u>0</u>	<u>0</u>	<u>0</u>	<u>0</u>	<u>1</u>
Texas	<u>2022</u> <u>2021</u>	<u>00</u>	<u>30</u>	<u>00</u>	<u>00</u>	<u>00</u>	<u>00</u>	<u>30</u>
	<u>2023</u> <u>2022</u>	<u>30</u>	<u>13</u>	<u>00</u>	<u>00</u>	<u>00</u>	<u>00</u>	<u>43</u>
	<u>2024</u> <u>2023</u>	<u>43</u>	<u>5+</u>	<u>00</u>	<u>00</u>	<u>00</u>	<u>00</u>	<u>49</u>
Utah	<u>2022</u>	<u>0</u>	<u>0</u>	<u>0</u>	<u>0</u>	<u>0</u>	<u>0</u>	<u>0</u>
	<u>2023</u>	<u>0</u>	<u>0</u>	<u>0</u>	<u>0</u>	<u>0</u>	<u>0</u>	<u>0</u>
	<u>2024</u>	<u>0</u>	<u>2</u>	<u>0</u>	<u>0</u>	<u>0</u>	<u>0</u>	<u>2</u>
Vermont	<u>2022</u>	<u>0</u>	<u>0</u>	<u>0</u>	<u>0</u>	<u>0</u>	<u>0</u>	<u>0</u>
	<u>2023</u>	<u>0</u>	<u>0</u>	<u>0</u>	<u>0</u>	<u>0</u>	<u>0</u>	<u>0</u>
	<u>2024</u>	<u>0</u>	<u>1</u>	<u>0</u>	<u>0</u>	<u>0</u>	<u>0</u>	<u>1</u>
Virginia	<u>2022</u> <u>2021</u>	<u>00</u>	<u>10</u>	<u>00</u>	<u>00</u>	<u>00</u>	<u>00</u>	<u>10</u>
	<u>2023</u> <u>2022</u>	<u>10</u>	<u>6+</u>	<u>20</u>	<u>00</u>	<u>00</u>	<u>00</u>	<u>5+</u>
	<u>2024</u> <u>2023</u>	<u>5+</u>	<u>26</u>	<u>20</u>	<u>00</u>	<u>02</u>	<u>00</u>	<u>55</u>
Washington	<u>2022</u> <u>2021</u>	<u>00</u>	<u>00</u>	<u>00</u>	<u>00</u>	<u>00</u>	<u>00</u>	<u>00</u>
	<u>2023</u> <u>2022</u>	<u>00</u>	<u>20</u>	<u>00</u>	<u>00</u>	<u>00</u>	<u>00</u>	<u>20</u>
	<u>2024</u> <u>2023</u>	<u>20</u>	<u>22</u>	<u>00</u>	<u>01</u>	<u>01</u>	<u>00</u>	<u>22</u>
Wisconsin	<u>2022</u>	<u>0</u>	<u>0</u>	<u>0</u>	<u>0</u>	<u>0</u>	<u>0</u>	<u>0</u>
	<u>2023</u>	<u>0</u>	<u>0</u>	<u>0</u>	<u>0</u>	<u>0</u>	<u>0</u>	<u>0</u>

State	Year	Outlets at Start of Year	Outlets Opened	Terminations	Non – Renewals	Reacquired by Franchisor	Ceased Operations / Other Reasons	Outlets at End of Year
	<u>2024</u>	<u>0</u>	<u>1</u>	<u>0</u>	<u>0</u>	<u>0</u>	<u>0</u>	<u>1</u>
TOTALS:	<u>2022</u> <u>2021</u>	<u>00</u>	<u>380</u>	<u>00</u>	<u>00</u>	<u>00</u>	<u>00</u>	<u>380</u>
	<u>2023</u> <u>2022</u>	<u>380</u>	<u>4138</u>	<u>80</u>	<u>00</u>	<u>00</u>	<u>50</u>	<u>6638</u>
	<u>2024</u> <u>2023</u>	<u>6638</u>	<u>8341</u>	<u>87</u>	<u>01</u>	<u>09</u>	<u>56</u>	<u>66126</u>

1. Our fiscal year end is March 31.

**Table No. 4**  
**Status of Company-Owned Outlets**  
**Wild Blue Counters**  
**For the years ended March 31 ~~2021~~2022, ~~2022~~2023 and ~~2023~~2024**

State	Year	Outlets at Start of Year	Outlets Opened	Outlets Reacquired From Franchisees	Outlets Closed	Outlets Sold To Franchisee	Outlets at End of the Year
Alaska	<del>2022</del> 2021	<u>00</u>	<u>00</u>	<u>00</u>	<u>00</u>	<u>00</u>	<u>00</u>
	<del>2023</del> 2022	<u>00</u>	<u>10</u>	<u>00</u>	<u>00</u>	<u>00</u>	<u>10</u>
	<u>2024</u> 2023	<u>10</u>	<u>04</u>	<u>00</u>	<u>00</u>	<u>00</u>	<u>41</u>
California	<del>2022</del> 2021	<u>50</u>	<u>05</u>	<u>00</u>	<u>10</u>	<u>00</u>	<u>45</u>
	<del>2023</del> 2022	<u>45</u>	<u>00</u>	<u>00</u>	<u>04</u>	<u>30</u>	<u>14</u>
	<u>2024</u> 2023	<u>14</u>	<u>50</u>	<u>02</u>	<u>00</u>	<u>30</u>	<u>48</u>
<u>District of Columbia</u> <u>(Wash, D.C.)</u>	<u>2022</u>	<u>0</u>	<u>0</u>	<u>0</u>	<u>0</u>	<u>0</u>	<u>0</u>
	<u>2023</u>	<u>0</u>	<u>0</u>	<u>0</u>	<u>0</u>	<u>0</u>	<u>0</u>
	<u>2024</u>	<u>0</u>	<u>0</u>	<u>1</u>	<u>0</u>	<u>0</u>	<u>1</u>
Illinois	<del>2022</del> 2021	<u>20</u>	<u>32</u>	<u>00</u>	<u>00</u>	<u>00</u>	<u>52</u>
	<del>2023</del> 2022	<u>52</u>	<u>03</u>	<u>00</u>	<u>00</u>	<u>40</u>	<u>15</u>
	<u>2024</u> 2023	<u>15</u>	<u>70</u>	<u>01</u>	<u>00</u>	<u>40</u>	<u>49</u>
Louisiana	<del>2022</del> 2021	<u>00</u>	<u>00</u>	<u>00</u>	<u>00</u>	<u>00</u>	<u>00</u>
	<del>2023</del> 2022	<u>00</u>	<u>10</u>	<u>00</u>	<u>00</u>	<u>00</u>	<u>10</u>
	<u>2024</u> 2023	<u>10</u>	<u>04</u>	<u>00</u>	<u>00</u>	<u>01</u>	<u>40</u>
Massachusetts	<del>2022</del> 2021	<u>00</u>	<u>10</u>	<u>00</u>	<u>00</u>	<u>00</u>	<u>10</u>
	<del>2023</del> 2022	<u>10</u>	<u>04</u>	<u>00</u>	<u>00</u>	<u>10</u>	<u>04</u>
	<u>2024</u> 2023	<u>04</u>	<u>00</u>	<u>00</u>	<u>00</u>	<u>40</u>	<u>00</u>
Maryland	<del>2022</del> 2021	<u>00</u>	<u>10</u>	<u>00</u>	<u>00</u>	<u>00</u>	<u>10</u>
	<del>2023</del> 2022	<u>10</u>	<u>04</u>	<u>00</u>	<u>00</u>	<u>10</u>	<u>04</u>
	<u>2024</u> 2023	<u>04</u>	<u>00</u>	<u>01</u>	<u>00</u>	<u>40</u>	<u>01</u>
<u>Michigan</u>	<u>2022</u>	<u>0</u>	<u>0</u>	<u>0</u>	<u>0</u>	<u>0</u>	<u>0</u>
	<u>2023</u>	<u>0</u>	<u>0</u>	<u>0</u>	<u>0</u>	<u>0</u>	<u>0</u>
	<u>2024</u>	<u>0</u>	<u>1</u>	<u>0</u>	<u>0</u>	<u>0</u>	<u>1</u>
New Jersey	<del>2022</del> 2021	<u>00</u>	<u>10</u>	<u>00</u>	<u>00</u>	<u>00</u>	<u>10</u>
	<del>2023</del> 2022	<u>10</u>	<u>04</u>	<u>00</u>	<u>00</u>	<u>00</u>	<u>14</u>
	<u>2024</u> 2023	<u>14</u>	<u>00</u>	<u>00</u>	<u>00</u>	<u>00</u>	<u>14</u>
New York	<u>2022</u> 2021	<u>00</u>	<u>10</u>	<u>00</u>	<u>00</u>	<u>00</u>	<u>10</u>

State	Year	Outlets at Start of Year	Outlets Opened	Outlets Reacquired From Franchisees	Outlets Closed	Outlets Sold To Franchisee	Outlets at End of the Year
	<del>2023</del> 2022	<u>10</u>	<u>11</u>	<u>00</u>	<u>00</u>	<u>00</u>	<u>21</u>
	2024 <del>2023</del>	<u>21</u>	<u>01</u>	<u>01</u>	<u>00</u>	<u>00</u>	<u>23</u>
Oregon	<del>2022</del> 2021	<u>00</u>	<u>10</u>	<u>00</u>	<u>00</u>	<u>00</u>	<u>10</u>
	2023 <del>2022</del>	<u>10</u>	<u>01</u>	<u>00</u>	<u>00</u>	<u>10</u>	<u>01</u>
	2024 <del>2023</del>	<u>01</u>	<u>00</u>	<u>00</u>	<u>00</u>	<u>10</u>	<u>00</u>
Pennsylvania	<del>2022</del> 2021	<u>00</u>	<u>20</u>	<u>00</u>	<u>00</u>	<u>00</u>	<u>20</u>
	2023 <del>2022</del>	<u>20</u>	<u>12</u>	<u>00</u>	<u>00</u>	<u>20</u>	<u>12</u>
	2024 <del>2023</del>	<u>12</u>	<u>11</u>	<u>00</u>	<u>00</u>	<u>20</u>	<u>12</u>
Virginia	<del>2022</del> 2021	<u>00</u>	<u>00</u>	<u>00</u>	<u>00</u>	<u>00</u>	<u>00</u>
	2023 <del>2022</del>	<u>00</u>	<u>10</u>	<u>00</u>	<u>00</u>	<u>00</u>	<u>10</u>
	2024 <del>2023</del>	<u>10</u>	<u>01</u>	<u>02</u>	<u>00</u>	<u>00</u>	<u>13</u>
Washington	<del>2022</del> 2021	<u>00</u>	<u>100</u>	<u>00</u>	<u>00</u>	<u>00</u>	<u>100</u>
	2023 <del>2022</del>	<u>100</u>	<u>010</u>	<u>00</u>	<u>00</u>	<u>100</u>	<u>010</u>
	2024 <del>2023</del>	<u>010</u>	<u>100</u>	<u>01</u>	<u>00</u>	<u>100</u>	<u>011</u>
TOTALS	<del>2022</del> 2021	<u>60</u>	<u>216</u>	<u>00</u>	<u>10</u>	<u>00</u>	<u>266</u>
	2023 <del>2022</del>	<u>266</u>	<u>521</u>	<u>00</u>	<u>01</u>	<u>220</u>	<u>926</u>
	2024 <del>2023</del>	<u>269</u>	<u>245</u>	<u>90</u>	<u>00</u>	<u>122</u>	<u>419</u>

**Table No. 5**  
**Wild Blue Counters**  
**Projected Openings as of March 31, ~~2023~~2024**

State	Franchise Agreements Signed But Outlet Not Opened	Projected New Franchised Outlet in the Next Fiscal Year	Projected New Company-Owned Outlets in the Next Fiscal Year
<del>Arkansas</del>	<u>0</u>	<u>1</u>	<u>0</u>
California	<u>00</u>	<u>16</u>	<u>00</u>
<del>Colorado</del> Connecticut	<u>00</u>	<u>1</u>	<u>00</u>
District of Columbia (Wash, D.C.)	<u>0</u>	<u>1</u>	<u>0</u>
Florida	<u>00</u>	<u>13</u>	<u>00</u>
Idaho	<u>0</u>	<u>1</u>	<u>0</u>
Illinois	<u>00</u>	<u>21</u>	<u>00</u>
Indiana	<u>00</u>	<u>11</u>	<u>00</u>
<del>Louisiana</del> Louisiana	<u>00</u>	<u>11</u>	<u>00</u>
Massachusetts	<u>00</u>	<u>11</u>	<u>00</u>
Maryland	<u>00</u>	<u>11</u>	<u>00</u>
Michigan	<u>00</u>	<u>11</u>	<u>00</u>
Minnesota	<u>00</u>	<u>11</u>	<u>00</u>
Mississippi	<u>0</u>	<u>1</u>	<u>0</u>
Missouri	<u>00</u>	<u>11</u>	<u>00</u>
Montana	<u>0</u>	<u>1</u>	<u>0</u>
Nevada	<u>00</u>	<u>11</u>	<u>00</u>
New Jersey	<u>00</u>	<u>11</u>	<u>00</u>

State	Franchise Agreements Signed But Outlet Not Opened	Projected New Franchised Outlet in the Next Fiscal Year	Projected New Company-Owned Outlets in the Next Fiscal Year
New Mexico	<u>00</u>	<u>1+</u>	<u>00</u>
New York	<u>00</u>	<u>12</u>	<u>00</u>
North Carolina	<u>00</u>	<u>1+</u>	<u>00</u>
Oklahoma	<u>00</u>	<u>1+</u>	<u>00</u>
Oregon	<u>00</u>	<u>1+</u>	<u>00</u>
Pennsylvania	<u>00</u>	<u>12</u>	<u>00</u>
Texas	<u>00</u>	<u>22</u>	<u>00</u>
Virginia	<u>00</u>	<u>43</u>	<u>00</u>
Washington	<u>00</u>	<u>1+</u>	<u>00</u>
<b>West Virginia</b>	<u>0</u>	<u>1</u>	<u>0</u>
<b>Wisconsin</b>	<u>0</u>	<u>1</u>	<u>0</u>
<b>TOTALS</b>	<u>00</u>	<u>3827</u>	<u>00</u>

**Table No. 1**  
**Systemwide Outlet Summary**  
**Zenshi Counters**  
~~for the years ended March 31 2021, 2022 and 2023~~

Outlet Type	Year	Outlets at the Start of the Year	Outlets and the End of the Year	Net Change
<b>Franchised</b>	<del>2021</del>	<del>0</del>	<del>0</del>	<del>0</del>
	<del>2022</del>	<del>0</del>	<del>0</del>	<del>0</del>
	<del>2023</del>	<del>0</del>	<del>0</del>	<del>0</del>
<b>Company Owned</b>	<del>2021</del>	<del>0</del>	<del>0</del>	<del>0</del>
	<del>2022</del>	<del>0</del>	<del>0</del>	<del>0</del>
	<del>2023</del>	<del>0</del>	<del>0</del>	<del>0</del>
<b>Total Outlets</b>	<del>2021</del>	<del>0</del>	<del>0</del>	<del>0</del>
	<del>2022</del>	<del>0</del>	<del>0</del>	<del>0</del>
	<del>2023</del>	<del>0</del>	<del>0</del>	<del>0</del>

**Table No. 2**  
**Transfers of Outlets from Franchisees to New Owners (other than the franchisor)**  
**Zenshi Counters**  
~~For the years ended March 31 2021, 2022 and 2023~~

State	Year	Number of Transfers
<b>All States</b>	<del>2021</del>	<del>0</del>
	<del>2022</del>	<del>0</del>
	<del>2023</del>	<del>0</del>
<b>TOTALS:</b>	<del>2021</del>	<del>0</del>
	<del>2022</del>	<del>0</del>

State	Year	Number of Transfers
	2023	0

**Table No. 3**  
**Status of Franchised Outlets**  
**Zenshi Counters**  
**For years ended March 31, 2021, 2022 and 2023<sup>1</sup>**

State	Year	Outlets at Start of Year	Outlets Opened	Terminations	Non-Renewals	Reacquired by Franchisor	Ceased Operations / Other Reasons	Outlets at End of Year
All States	2021	0	0	0	0	0	0	0
	2022	0	0	0	0	0	0	0
	2023	0	0	0	0	0	0	0
TOTALS:	2021	0	0	0	0	0	0	0
	2022	0	0	0	0	0	0	0
	2023	0	0	0	0	0	0	0

~~1. Our fiscal year end is March 31.~~

**Table No. 4**  
**Status of Company Owned Outlets**  
**Zenshi Counters**  
**For the years ended March 31, 2021, 2022 and 2023**

State	Year	Outlets at Start of Year	Outlets Opened	Outlets Reacquired From Franchisees	Outlets Closed	Outlets Sold To Franchisee	Outlets at End of the Year
All States	2021	0	0	0	0	0	0
	2022	0	0	0	0	0	0
	2023	0	0	0	0	0	0

**Table No. 5**  
**Zenshi Counters**  
**Projected Openings as of March 31, 2023**

State	Franchise Agreements Signed But Outlet Not Opened	Projected New Franchised Outlet in the Next Fiscal Year	Projected New Company Owned Outlets in the Next Fiscal Year
Idaho	0	1	0
Louisiana	0	1	0
New York	0	1	0
Oregon	0	1	0
TOTALS	0	4	0

Attached to this Disclosure Document as Exhibit M is a list of the names, addresses and phone numbers of all our existing U.S. franchisees as of March 31, ~~2023~~2024. Also enclosed as Exhibit M is a list of U.S. franchisees terminated, cancelled or not renewed or who otherwise voluntarily or involuntarily ceased to do

business in the year ending March 31, ~~2023-2024~~ or who have not communicated with us in the 10 weeks preceding the issuance date. If you buy this franchise, your contact information may be disclosed to other buyers when you leave the franchise system.

During the last three fiscal years, we have signed one confidentiality agreement with the estate of a former franchisee. In some instances, current, and former franchisees sign provisions restricting their ability to speak openly about their experience with us. You may wish to speak with current and former franchisees, but be aware that not all such franchisees will be able to communicate with you.

There are no trademark-specific franchisee organizations associated with the franchise system being offered which we have created, sponsored or endorsed. There are no independent franchisee organizations that have asked to be included in this disclosure document.

## **ITEM 21 FINANCIAL STATEMENTS**

Attached to this Disclosure Document as Exhibit A are our unaudited interim financial statements for the period of April 1, 2024 through June 30, 2024 and our audited financial statements for fiscal years ending March 31, ~~2023-2024~~, March 31, ~~2022-2023~~, and March 31, ~~2021-2022~~. Our fiscal year end is March 31<sup>st</sup>.

## **ITEM 22 CONTRACTS**

Attached as Exhibits B, C, D, E, F, G, H, I, J, ~~and K~~ and P is our Franchise Application, Franchise Agreement, Full-Time Location Franchise Addendum, Part-Time Location Addendum, Self-Service Location Addendum, General Release, Assignment of Franchise Agreement and Franchisor Consent, Asset Sale and Purchase Agreement, Food Service Counter Transfer Agreement, ~~and~~ Promissory Note and Confidentiality Agreement. Attached as Exhibit O are the State Specific Addenda which you may need to sign.

## **ITEM 23 RECEIPTS**

The Receipts to this Disclosure Document are attached as the last pages under Exhibit ~~Q~~ R, as separate and detachable pages (one to be signed by you and returned to us and the other to be kept by you).

**EXHIBIT A**  
**FINANCIAL STATEMENTS**

ADVANCED FRESH CONCEPTS FRANCHISE CORP.  
UNAUDITED INTERIM FINANCIAL STATEMENTS FOR  
THE PERIOD APRIL 1, 2024 THROUGH JUNE 30, 2024

THESE FINANCIAL STATEMENTS ARE PREPARED WITHOUT AN AUDIT. PROSPECTIVE FRANCHISEES OR SELLERS OF FRANCHISES SHOULD BE ADVISED THAT NO CERTIFIED PUBLIC ACCOUNTANT HAD AUDITED THESE FIGURES OR EXPRESSED HIS/HER OPINION WITH REGARD TO THE CONTENT OR FORM.

ADVANCED FRESH CONCEPTS FRANCHISE CORP.  
UNAUDITED INTERIM FINANCIAL STATEMENTS  
AS OF **JUNE 30, 2024**

**Advanced Fresh Concepts Franchise Corp.**  
**Financial Statements**  
**June 30, 2024**

Internally Prepared

**Advanced Fresh Concepts Franchise Corp.**  
**Balance Sheet**  
**June 30, 2024**

**Assets**

Current assets	
Cash and cash equivalents	\$ 9,724,489
Accounts receivable, net of allowance for credit losses of \$320,362	69,131,687
Due from related parties	44,040,943
Inventory	1,618,366
Prepaid expenses and other assets	740,926
Loans receivable - franchisees	447,148
Total current assets	<u>125,703,559</u>
Equipment, net	4,418,108
Operating lease right-of-use assets	135,963
Deposits and other asset	68,203
Deferred taxes	4,397,348
Total assets	<u>\$ 134,723,181</u>

**Liabilities and Stockholder's Equity**

Current liabilities	
Accounts payable	\$ 42,927,618
Due to related party	18,158,840
Accrued expenses and other liabilities	3,594,116
Income taxes payable	2,628,470
Operating lease liabilities, current portion	57,518
Current portion of deferred revenue	3,988,332
Total current liabilities	<u>71,354,894</u>
Operating lease liabilities, noncurrent portion	78,444
Deferred revenues, net of current portion	8,813,212
Total liabilities	<u>80,246,550</u>
Stockholder's equity	
Common stock, no par value, authorized 100,000 shares, issued and outstanding 5,000 shares	500,000
Retained earnings	54,683,756
Accumulated other comprehensive loss	(707,125)
Total stockholder's equity	<u>54,476,631</u>
Total liabilities and stockholder's equity	<u>\$ 134,723,181</u>

**Advanced Fresh Concepts Franchise Corp.**  
**Statement of Comprehensive Income**  
**For the period June 30, 2024**

**Revenues**

Franchise revenue	\$ 104,523,646
Product revenue	61,951,386
Retail revenue	<u>7,480,138</u>
Total revenues	<u>173,955,170</u>

**Costs and expenses**

Direct contract costs	65,350,158
Operating expenses	<u>104,355,426</u>
Total costs and expenses	<u>169,705,584</u>
Income from operations	<u>4,249,586</u>

**Other income**

Interest income	<u>24,455</u>
Net other income	<u>24,455</u>
Income before provision for income taxes	4,274,041
Provision for income taxes	<u>1,015,957</u>
Net income	3,258,084

**Other comprehensive income**

Foreign currency translation adjustment	<u>(71,371)</u>
Total comprehensive income	<u>\$ 3,186,713</u>

**Advanced Fresh Concepts Franchise Corp.  
Statement of Changes in Stockholder's Equity  
For the period June 30, 2024**

	Common Stock		Retained Earnings	Accumulated Other Comprehensive Loss	Total
	Shares	Amount			
<b>Balance at March 31, 2024</b>	5,000	\$ 500,000	\$ 51,425,672	\$ (635,754)	\$ 51,289,918
Net income	-	-	3,258,084	-	3,258,084
Other comprehensive income	-	-	-	(71,371)	(71,371)
<b>Balance at June 30, 2024</b>	<u>5,000</u>	<u>500,000</u>	<u>54,683,756</u>	<u>(707,125)</u>	<u>54,476,631</u>

**AUDITED FINANCIAL STATEMENTS  
FOR THE YEARS ENDED MARCH 31,  
~~2023~~2024, MARCH 31, ~~2022~~2023, AND  
MARCH 31, ~~2021~~2022**

**ADVANCED FRESH CONCEPTS FRANCHISE CORP.**  
**FINANCIAL REPORT**  
**MARCH 31, 2024**

**ADVANCED FRESH CONCEPTS FRANCHISE CORP.**  
**CONTENTS**

---

	Page
<b>INDEPENDENT AUDITOR'S REPORT</b>	1 – 2
<b>FINANCIAL STATEMENTS</b>	
Balance Sheets	3 – 4
Statements of Comprehensive Income	5
Statements of Changes in Stockholder's Equity	6
Statements of Cash Flows	7 – 8
Notes to Financial Statements	9 – 22

---

**A Division of SingerLewak**

**INDEPENDENT AUDITOR'S REPORT**

Board of Directors  
Advanced Fresh Concepts Franchise Corp.

**Opinion**

We have audited the financial statements of Advanced Fresh Concepts Franchise Corp. (the "Company"), which comprise the balance sheets as of March 31, 2024 and 2023, the related statements of comprehensive income, changes in stockholder's equity, and cash flows for each of the three years in the period ended March 31, 2024, and the related notes to the financial statements.

In our opinion, the accompanying financial statements present fairly, in all material respects, the financial position of the Company as of March 31, 2024 and 2023, and the results of its operations and its cash flows for each of the three years in the period ended March 31, 2024, in accordance with accounting principles generally accepted in the United States of America.

**Basis for Opinion**

We conducted our audits in accordance with auditing standards generally accepted in the United States of America (GAAS). Our responsibilities under those standards are further described in the Auditor's Responsibilities for the Audit of the Financial Statements section of our report. We are required to be independent of the Company and to meet our other ethical responsibilities, in accordance with the relevant ethical requirements relating to our audits. We believe that the audit evidence we have obtained is sufficient and appropriate to provide a basis for our audit opinion.

**Emphasis of Matter**

As disclosed in Notes 2, 5 and 8 to the financial statements, the Company and the results of its operations are dependent on transactions with the parent company and affiliates. Accordingly, the accompanying financial statements may not be indicative of the financial position or results of operations that would have occurred had the Company operated without such affiliation. Our opinion is not modified with respect to this matter.

**Responsibilities of Management for the Financial Statements**

Management is responsible for the preparation and fair presentation of the financial statements in accordance with accounting principles generally accepted in the United States of America, and for the design, implementation, and maintenance of internal control relevant to the preparation and fair presentation of financial statements that are free from material misstatement, whether due to fraud or error.

In preparing the financial statements, management is required to evaluate whether there are conditions or events, considered in the aggregate, that raise substantial doubt about the Company's ability to continue as a going concern within one year after the date that the financial statements are issued or available to be issued.

**Auditor's Responsibilities for the Audit of the Financial Statements**

Our objectives are to obtain reasonable assurance about whether the financial statements as a whole are free from material misstatement, whether due to fraud or error, and to issue an auditor's report that includes our opinion. Reasonable assurance is a high level of assurance but is not absolute assurance and therefore is not a guarantee that an audit conducted in accordance with GAAS will always detect a material misstatement when it exists. The risk of not detecting a material misstatement resulting from fraud is higher than for one resulting from error, as fraud may involve collusion, forgery, intentional omissions, misrepresentations, or the override of internal control. Misstatements are considered material if there is a substantial likelihood that, individually or in the aggregate, they would influence the judgment made by a reasonable user based on the financial statements.

In performing an audit in accordance with GAAS, we:

- Exercise professional judgment and maintain professional skepticism throughout the audit.
- Identify and assess the risks of material misstatement of the financial statements, whether due to fraud or error, and design and perform audit procedures responsive to those risks. Such procedures include examining, on a test basis, evidence regarding the amounts and disclosures in the financial statements.
- Obtain an understanding of internal control relevant to the audit in order to design audit procedures that are appropriate in the circumstances, but not for the purpose of expressing an opinion on the effectiveness of the Company's internal control. Accordingly, no such opinion is expressed.
- Evaluate the appropriateness of accounting policies used and the reasonableness of significant accounting estimates made by management, as well as evaluate the overall presentation of the financial statements.
- Conclude whether, in our judgment, there are conditions or events, considered in the aggregate, that raise substantial doubt about the Company's ability to continue as a going concern for a reasonable period of time.

We are required to communicate with those charged with governance regarding, among other matters, the planned scope and timing of the audit, significant audit findings, and certain internal control-related matters that we identified during the audit.

The image shows a handwritten signature in black ink that reads "Singer Lewak LLP". The signature is written in a cursive, flowing style.

June 26, 2024

# ADVANCED FRESH CONCEPTS FRANCHISE CORP.

## BALANCE SHEETS

March 31, 2024 and 2023

---

	2024	2023
<b>ASSETS</b>		
	<u>2024</u>	<u>2023</u>
<b>Current assets</b>		
Cash and cash equivalents	\$ 8,594,494	\$ 7,798,803
Accounts receivable, net of allowance for credit losses of \$320,362 and \$374,259, respectively	73,555,878	62,185,623
Due from related parties	38,867,212	39,176,734
Inventory	1,579,277	1,547,140
Prepaid expenses and other assets	1,570,012	1,579,266
Loans receivable – franchisees	424,984	307,058
Prepaid income taxes	<u>1,502,136</u>	<u>1,586,623</u>
Total current assets	126,093,993	114,181,247
<b>Equipment, net</b>	4,559,272	2,937,663
<b>Operating lease right-of-use assets</b>	150,631	80,062
<b>Deposits and other asset</b>	68,203	68,943
<b>Deferred taxes</b>	<u>4,397,348</u>	<u>3,943,988</u>
<b>Total assets</b>	<b><u>\$ 135,269,447</u></b>	<b><u>\$ 121,211,903</u></b>

(Continued)

See notes to financial statements.

# ADVANCED FRESH CONCEPTS FRANCHISE CORP.

## BALANCE SHEETS

March 31, 2024 and 2023

### LIABILITIES AND STOCKHOLDER'S EQUITY

	2024	2023
<b>Current liabilities</b>		
Accounts payable	\$ 44,181,823	\$ 41,150,482
Due to related party	19,299,097	18,582,630
Accrued expenses and other liabilities	4,457,895	4,094,029
Income taxes payable	3,491,089	3,462,107
Operating lease liabilities, current portion	57,818	39,238
Finance lease liabilities, current portion	-	1,746
Current portion of deferred revenue	3,868,534	3,559,001
	<u>75,356,256</u>	<u>70,889,233</u>
Total current liabilities	75,356,256	70,889,233
<b>Operating lease liabilities, noncurrent portion</b>	92,813	40,824
<b>Deferred revenue, net of current portion</b>	8,530,460	7,681,262
	<u>83,979,529</u>	<u>78,611,319</u>
Total liabilities	83,979,529	78,611,319
<b>Stockholder's equity</b>		
Common stock, no par value, authorized 100,000 shares, issued and outstanding 5,000 shares	500,000	500,000
Retained earnings	51,425,672	42,730,388
Accumulated other comprehensive loss	(635,754)	(629,804)
	<u>51,289,918</u>	<u>42,600,584</u>
Total stockholder's equity	51,289,918	42,600,584
<b>Total liabilities and stockholder's equity</b>	<b><u>\$ 135,269,447</u></b>	<b><u>\$ 121,211,903</u></b>

(Concluded)

See notes to financial statements.

# ADVANCED FRESH CONCEPTS FRANCHISE CORP.

## STATEMENTS OF COMPREHENSIVE INCOME Years Ended March 31, 2024, 2023 and 2022

	<u>2024</u>	<u>2023</u>	<u>2022</u>
<b>Revenues</b>			
Franchise revenue	\$ 410,865,584	\$ 405,225,599	\$ 377,991,889
Product revenue	240,193,646	219,136,610	191,180,414
Retail revenue	<u>26,501,503</u>	<u>23,894,287</u>	<u>19,073,738</u>
<b>Total revenues</b>	<u>677,560,733</u>	<u>648,256,496</u>	<u>588,246,041</u>
<b>Costs and expenses</b>			
Direct contract costs	250,609,777	228,685,015	198,762,058
Operating expenses	<u>409,950,618</u>	<u>402,034,468</u>	<u>370,759,020</u>
<b>Total costs and expenses</b>	<u>660,560,395</u>	<u>630,719,483</u>	<u>569,521,078</u>
<b>Income from operations</b>	<u>17,000,338</u>	<u>17,537,013</u>	<u>18,724,963</u>
<b>Financial income (expense)</b>			
Interest income	1,249,392	1,736,974	46,975
Interest expense	<u>(3,561)</u>	<u>(596)</u>	<u>(1,500)</u>
<b>Net financial income</b>	<u>1,245,831</u>	<u>1,736,378</u>	<u>45,475</u>
<b>Income before provision for income taxes</b>	18,246,169	19,273,391	18,770,438
<b>Provision for income taxes</b>	<u>4,550,885</u>	<u>4,410,321</u>	<u>4,441,212</u>
<b>Net income</b>	<u>13,695,284</u>	<u>14,863,070</u>	<u>14,329,226</u>
<b>Other comprehensive income (loss)</b>			
Foreign currency translation adjustment	<u>(5,950)</u>	<u>(366,744)</u>	<u>32,155</u>
<b>Total comprehensive income</b>	<u>\$ 13,689,334</u>	<u>\$ 14,496,326</u>	<u>\$ 14,361,381</u>

See notes to financial statements.

**ADVANCED FRESH CONCEPTS FRANCHISE CORP.**  
**STATEMENTS OF CHANGES IN STOCKHOLDER'S EQUITY**  
**Years Ended March 31, 2024, 2023 and 2022**

	Common Stock		Retained Earnings	Accumulated Other	Total
	Shares	Amount		Comprehensive Income (Loss)	
<b>Balance at March 31, 2021</b>	5,000	\$ 500,000	\$ 33,538,092	\$ (295,215)	\$ 33,742,877
Net income	-	-	14,329,226	-	14,329,226
Other comprehensive income	-	-	-	32,155	32,155
Dividend paid	-	-	(10,000,000)	-	(10,000,000)
<b>Balance at March 31, 2022</b>	5,000	500,000	37,867,318	(263,060)	38,104,258
Net income	-	-	14,863,070	-	14,863,070
Other comprehensive income	-	-	-	(366,744)	(366,744)
Dividend paid	-	-	(10,000,000)	-	(10,000,000)
<b>Balance at March 31, 2023</b>	5,000	500,000	42,730,388	(629,804)	42,600,584
Net income	-	-	13,695,284	-	13,695,284
Other comprehensive loss	-	-	-	(5,950)	(5,950)
Dividend paid	-	-	(5,000,000)	-	(5,000,000)
<b>Balance at March 31, 2024</b>	<b>5,000</b>	<b>\$ 500,000</b>	<b>\$ 51,425,672</b>	<b>\$ (635,754)</b>	<b>\$ 51,289,918</b>

See notes to financial statements.

# ADVANCED FRESH CONCEPTS FRANCHISE CORP.

## STATEMENTS OF CASH FLOWS

Years Ended March 31, 2024, 2023 and 2022

	2024	2023	2022
<b>Cash flows from operating activities</b>			
Net income	\$ 13,695,284	\$ 14,863,070	\$ 14,329,226
Adjustments to reconcile net income to net cash from operating activities:			
Deferred taxes	(451,070)	(447,775)	(446,437)
Depreciation expense	830,411	633,067	413,365
Bad debt expense	437,481	233,100	201,155
Noncash lease expense	56,723	50,189	-
Gain on disposition of equipment	(169,932)	(61,632)	(50,512)
Changes in operating assets and liabilities:			
Accounts receivable	(11,813,102)	(1,958,997)	(1,703,276)
Due from related parties	309,943	4,511,313	(16,233,898)
Inventory	(32,206)	(360,722)	(158,616)
Prepaid expenses and other assets	(108,835)	(129,245)	(426,777)
Prepaid income taxes	84,166	(212,681)	(304,971)
Deposits and other asset	(953)	(43,445)	(7,281)
Accounts payable	3,032,703	(6,998,380)	11,618,768
Due to related party	716,320	1,375,047	1,687,045
Accrued expenses and other liabilities	363,939	1,115,912	(96,975)
Income taxes payable	28,982	(108,801)	1,928,866
Operating lease liabilities	(56,723)	(50,189)	-
Deferred revenue	1,158,890	994,586	903,622
Net cash from operating activities	8,082,021	13,404,417	11,653,304
<b>Cash flows from investing activities</b>			
Purchases of equipment and for construction in progress	(2,462,809)	(1,748,785)	(1,206,063)
Proceeds from sales of equipment	182,355	175,883	164,054
Net cash from investing activities	(2,280,454)	(1,572,902)	(1,042,009)
<b>Cash flows from financing activities</b>			
Principal payments on finance lease	(1,746)	(3,941)	-
Dividends paid	(5,000,000)	(10,000,000)	(10,000,000)
Net cash from financing activities	(5,001,746)	(10,003,941)	(10,000,000)
<b>Effect of exchange rate changes on cash and cash equivalents</b>	(4,130)	(505,866)	13,669
<b>Net increase in cash and cash equivalents</b>	795,691	1,321,708	624,964
<b>Cash and cash equivalents – beginning of year</b>	7,798,803	6,477,095	5,852,131
<b>Cash and cash equivalents – end of year</b>	<b>\$ 8,594,494</b>	<b>\$ 7,798,803</b>	<b>\$ 6,477,095</b>

(Continued)

See notes to financial statements.

**ADVANCED FRESH CONCEPTS FRANCHISE CORP.**  
**STATEMENTS OF CASH FLOWS**  
**Years Ended March 31, 2024, 2023 and 2022**

---

	<u>2024</u>	<u>2023</u>	<u>2022</u>
<b>Supplemental disclosure of cash flow information:</b>			
Cash paid for interest	<u>\$ 3,561</u>	<u>\$ 596</u>	<u>\$ 1,500</u>
Cash paid for income taxes	<u>\$ 5,270,688</u>	<u>\$ 5,244,059</u>	<u>\$ 3,334,013</u>

(Concluded)

See notes to financial statements.

# ADVANCED FRESH CONCEPTS FRANCHISE CORP.

## NOTES TO FINANCIAL STATEMENTS

---

### NOTE 1 – ORGANIZATION AND SUMMARY OF SIGNIFICANT ACCOUNTING POLICIES

#### Organization

Advanced Fresh Concepts Franchise Corp. (the “Company”) was incorporated on April 30, 2002 in California. The Company is a wholly owned subsidiary of Advanced Fresh Concepts Corp. (the “Parent Company”). The principal business of the Company is to authorize and manage franchises for the operation of food service counters, primarily offering sushi, within supermarkets and other locations (collectively, the “facility owners”) pursuant to a certain system that was developed by the Parent Company. The food service counters began as outlets serving sushi and expanded into offering other Asian cuisine. While the Company primarily operates in the United States, beginning in September 2009, the Company initiated operations in Canada. In November 2018, the Parent Company was acquired by Zensho Holdings Co., Ltd. (“Zensho Holdings”) to become the ultimate parent of the Company. In April 2019, Zensho Holdings transferred its ownership in the Parent Company to Zensho USA Corporation, a wholly owned subsidiary of Zensho Holdings.

#### Basis of Accounting

The accompanying financial statements have been prepared in accordance with accounting principles generally accepted in the United States of America (U.S. GAAP).

#### Use of Estimates

The preparation of financial statements in conformity with U.S. GAAP requires management to make estimates and assumptions that affect the reported amounts of assets and liabilities and disclosure of contingent assets and liabilities at the date of the financial statements and the reported amounts of revenues and expenses during the reporting period. Actual results may differ from those estimates.

#### Cash and Cash Equivalents

Cash and cash equivalents include all cash balances and highly liquid investments with purchased maturities of three months or less.

#### Accounts Receivable

Accounts receivable represents the Company’s unconditional rights to considerations in exchange of goods and services transferred from franchise operations, sales of food and related products at the food service counter and product sales made to franchisees. Receivables are collectible from the facility owners and franchisees based on agreed payment terms. Amounts due from facility owners are dependent on the payment cycle which is generally on a weekly or monthly basis while payments on franchisee accounts are generally received on a monthly basis. Accounts receivable, net, opening balance at April 1, 2022 amounted to \$60,574,753.

The Company records accounts receivable at amortized cost less an allowance for credit losses. The Company measures its allowance for credit losses using an expected credit loss model utilizing a loss rate methodology which considers historical loss rates on its trade accounts receivable balances, adjusted for current economic and business conditions, and anticipated future economic events that may affect a customer’s ability to pay.

**ADVANCED FRESH CONCEPTS FRANCHISE CORP.**  
**NOTES TO FINANCIAL STATEMENTS**

---

**NOTE 1 – ORGANIZATION AND SUMMARY OF SIGNIFICANT ACCOUNTING POLICIES (Continued)**

Accounts Receivable (Continued)

Accounts receivable are written off when deemed uncollectible. Recoveries of accounts receivable previously written off are recorded when received.

Inventory

Inventory is stated at the lower of cost (first-in, first-out basis) or net realizable value.

Equipment

Equipment is stated at cost. Depreciation of equipment is calculated by using the straight-line method over the estimated useful lives of the respective assets, as follows:

Vehicles	5 to 6 years
Computer equipment	3 to 5 years
Furniture and fixtures	5 to 7 years

Impairment of Long-lived Assets

Impairment losses are recorded on long-lived assets when events or changes in circumstances indicate that the carrying amount of the asset may not be recoverable. When required, impairment losses on assets to be held and used are recognized based on the excess of each asset's carrying amount over the estimated fair value of the asset.

Revenue Recognition

Revenue is measured based on a transaction price specified in a contract with a customer. The transaction price is the amount of consideration to which the Company expects to be entitled in exchange for transferring products and services to the customer. The Company excludes sales, use, and similar taxes from the measurement of the transaction price. The Company does not have significant variable consideration in its contracts.

The Company recognizes revenue when it satisfies a performance obligation by transferring control over a product or service to a customer either at a point in time or over time. Total approximate revenue recognized over time and at a point in time was as follows for the years ended March 31, 2024, 2023 and 2022:

	<u>2024</u>	<u>2023</u>	<u>2022</u>
Revenue recognized at a point in time	\$ 672,532,519	\$ 643,583,805	\$ 583,669,037
Revenue recognized over time	<u>5,028,214</u>	<u>4,672,691</u>	<u>4,577,004</u>
<b>Total</b>	<b><u>\$ 677,560,733</u></b>	<b><u>\$ 648,256,496</u></b>	<b><u>\$ 588,246,041</u></b>

# ADVANCED FRESH CONCEPTS FRANCHISE CORP.

## NOTES TO FINANCIAL STATEMENTS

---

### NOTE 1 – ORGANIZATION AND SUMMARY OF SIGNIFICANT ACCOUNTING POLICIES (Continued)

#### Revenue Recognition (Continued)

The following is a description of the principal activities from which the Company generates its revenue, and the nature and timing of satisfaction of each performance obligation.

#### *Franchise Revenue*

The Company enters into a franchise agreement with franchisees and assesses the contract term as the period in which the parties to the contract have presently enforceable rights and obligations. The contract term is in line with the stated term in the contract at all times.

The specified promises that are licensed to the franchisee is the franchise right which includes use of the name, trademarks, and proprietary methods. The franchisee is granted the right to operate at the facility pursuant to the Company's license agreements with the facility owners.

The Company also provides certain pre-opening services to franchisees such as training and orientation, systems implementation, and the design of a quality control program. These services are highly interrelated and not considered distinct from the franchise right.

Upfront payments related to franchise fees and pre-opening services are initially recorded in deferred revenue and revenue is recognized over the contract term. The Company believes that the impact of the financing component on upfront payment related to initial franchise fee is not significant at the contract level.

Related to the grant of a franchise right, the Company receives a sales-based royalty which is determined by the gross sales from franchised stores less any commissions attributable to the franchisees. Revenue from sales-based royalties is recognized as the related sales occur at the franchised stores.

Revenue from services related to the franchise operations after the contract commencement such as laboratory, inspection and web/data services, is recognized when the service is performed based on a stand-alone selling price.

#### *Product Revenue*

The Company sells food and supplies to franchisees through the online purchase order system that dictates the price, quantity of goods, payment terms, delivery terms, and other terms and conditions of the transaction.

Product revenue is recognized when food and supplies are shipped (for shipments from a related party's warehouse) or when products are delivered (for shipments from a third-party vendor) which indicates the transfer of control from the Company to the franchisee.

As a practical expedient, shipping and handling costs associated with outbound freight after control over a product has transferred to a customer are accounted for as a fulfillment cost and are included under direct contract costs in the statement of comprehensive income.

**ADVANCED FRESH CONCEPTS FRANCHISE CORP.**  
**NOTES TO FINANCIAL STATEMENTS**

---

**NOTE 1 – ORGANIZATION AND SUMMARY OF SIGNIFICANT ACCOUNTING POLICIES (Continued)**

Revenue Recognition (Continued)

*Retail Revenue*

The Company generates revenue from the sale of food and related products to end customers, at its company-managed stores.

Company-managed store revenue is recognized when the sale is consummated, and control is transferred at the food service counter.

Costs and Expenses

Direct costs of sales and servicing of contracts with customers are recorded as direct contract costs as they are incurred. Direct costs also include costs incurred for shipping and handling of food and related products to franchisees. Operating expenses such as selling, general and administrative costs are charged in the statement of comprehensive income when incurred.

Advertising Costs

Advertising costs included in operating expenses are expensed as incurred. Advertising expense amounted to \$3,736,836, \$2,712,419, and \$1,248,861 for the years ended March 31, 2024, 2023 and 2022, respectively.

Leases

The Company adopted Topic 842 on April 1, 2022, using the optional transition method to the modified retrospective method. The adoption of ASC Topic 842 did not have an impact on the Company's Statement of Comprehensive Income; therefore, no cumulative adjustment to retained earnings as of April 1, 2022 was required as a result of adoption. Adoption of Topic 842 resulted in the recording of operating lease liabilities of approximately \$130,000 as of April 1, 2022. In addition, the Company recorded corresponding operating lease right-of-use assets of approximately \$130,000.

The Company elected the "package of practical expedients" under the transition guidance within Topic 842, in which the Company does not reassess (1) the historical lease classification, (2) whether any existing contracts at transition are or contain leases, or (3) the initial direct costs for any existing leases. In addition, the Company elected to apply the hindsight practical expedient in determining the lease term when considering options to extend the terms of the lease and in assessing impairment.

The Company determines if an arrangement is or contains a lease at inception, which is the date on which the terms of the contract are agreed to, and the agreement creates enforceable rights and obligations. A contract is or contains a lease when (i) explicitly or implicitly identified assets have been deployed in the contract and (ii) the Company obtains substantially all of the economic benefits from the use of that underlying asset and directs how and for what purpose the asset is used during the term of the contract. The Company also considers whether its service arrangements include the right to control the use of an asset.

**ADVANCED FRESH CONCEPTS FRANCHISE CORP.**  
**NOTES TO FINANCIAL STATEMENTS**

---

**NOTE 1 – ORGANIZATION AND SUMMARY OF SIGNIFICANT ACCOUNTING POLICIES (Continued)**

Leases (Continued)

The Company recognizes most leases on its balance sheet as a right-of-use asset representing the right to use an underlying asset and a lease liability representing the obligation to make lease payments over the lease term, measured on a discounted basis. Leases are classified as either finance leases or operating leases based on certain criteria. Classification of the lease affects the pattern of expense recognition in the income statement.

The Company made an accounting policy election available under Topic 842 not to recognize right-of-use assets and lease liabilities for leases with a term of 12 months or less. For all other leases, right-of-use assets and lease liabilities are measured based on the present value of future lease payments over the lease term at the commencement date of the lease. The right-of-use assets also include any initial direct costs incurred and lease payments made at or before the commencement date and are reduced by any lease incentives. To determine the present value of lease payments, the Company made an accounting policy election available to non-public companies to utilize a risk-free borrowing rate, which is aligned with the lease term at the lease commencement date.

The Company has made an accounting policy election to account for lease and non-lease components in their contracts as a single lease component for all asset classes.

Income Taxes

The Company is treated as a C corporation for federal and state income tax purposes. Income taxes are provided for the tax effects of transactions reported in the financial statements and consist of taxes currently due plus deferred taxes which relate to the temporary differences between financial and tax reporting.

The deferred tax assets and liabilities represent the future tax return consequences of those differences, which will either be taxable or deductible when the assets and liabilities are recovered and settled, respectively. Management records a valuation allowance to reduce its deferred taxes to the amount it believes is more likely than not to be realized. The amount of the deferred tax assets considered realizable, however, could be reduced in the near term if estimates of future income are reduced.

The Company recognizes the effect of income tax positions only if those positions are more likely than not of being sustained. The Company classifies interest and penalties related to unrecognized tax benefits, if incurred, as a component of income tax expense. To date, there have been no unrecognized tax positions.

# ADVANCED FRESH CONCEPTS FRANCHISE CORP.

## NOTES TO FINANCIAL STATEMENTS

---

### NOTE 1 – ORGANIZATION AND SUMMARY OF SIGNIFICANT ACCOUNTING POLICIES (Continued)

#### Foreign Currency Transactions/Translation

The functional currency for the Company's Canadian operations is the applicable local currency which is the Canadian dollar. The translation of the applicable foreign currency into U.S. dollars is performed for balance sheet accounts using the current exchange rate in effect at the balance sheet date and for revenue and expense accounts using a weighted-average exchange rate during the period. The gains or losses, net of applicable income taxes, resulting from such translation are included as a component of stockholder's equity and classified as other comprehensive income or loss. Gains and losses resulting from foreign currency transactions are recorded in the statement of comprehensive income.

#### Reclassifications

Certain reclassifications were made to the March 31, 2023 financial statements to conform to the March 31, 2024 financial statements presentation. Such reclassifications had no effect on the previously reported net income or retained earnings.

#### Recently Adopted Accounting Pronouncements

In June 2016, the FASB issued ASU 2016-13, *Financial Instruments—Credit Losses (Topic 326): Measurement of Credit Losses on Financial Instruments*, which creates a new credit impairment standard for financial assets measured at amortized cost and available-for-sale debt securities. The ASU requires financial assets measured at amortized cost (including loans, trade receivables and held-to-maturity debt securities) to be presented at the net amount expected to be collected, through an allowance for credit losses that are expected to occur over the remaining life of the asset, rather than incurred losses. The ASU requires that credit losses on available-for-sale debt securities be presented as an allowance rather than as a direct write-down. The measurement of credit losses for newly recognized financial assets (other than certain purchased assets) and subsequent changes in the allowance for credit losses are recorded in the statement of income as the amounts expected to be collected change. The ASU is effective for years beginning after December 15, 2022, including interim periods within those years. The Company adopted ASU 2016-13 on April 1, 2023. The adoption of this standard did not have a significant impact on the Company's financial statements.

#### Recent Accounting Pronouncements

In March 2023, the FASB issued ASU 2023-01, *Leases (Topic 842): Common-Control Arrangements*, related to the accounting for leases between entities under common control. This ASU provides a practical expedient for private companies to consider only the written terms and conditions of a common-control arrangement for determination of whether a lease exists and the subsequent accounting for the lease. In addition, the ASU amends the accounting for leasehold improvements in common-control arrangements by requiring a lessee in a common-control lease arrangement to amortize leasehold improvements that it owns over the improvements' useful life to the common control group, regardless of the lease term, if the lessee continues to control the use of the underlying asset through a lease. The amendments in this ASU are effective for fiscal years beginning after December 15, 2023, including interim periods within those fiscal years. The Company is currently evaluating the impact of adopting this new guidance on its financial statements.

# ADVANCED FRESH CONCEPTS FRANCHISE CORP.

## NOTES TO FINANCIAL STATEMENTS

---

### NOTE 1 – ORGANIZATION AND SUMMARY OF SIGNIFICANT ACCOUNTING POLICIES (Continued)

#### Recent Accounting Pronouncements (Continued)

In December 2023, the FASB issued ASU No. 2023-09, *Income Taxes (Topic 740): Improvements to Income Tax Disclosures*, which requires that an entity, on an annual basis, disclose additional income tax information, primarily related to the rate reconciliation and income taxes paid. The amendment in the ASU is intended to enhance the transparency and decision usefulness of income tax disclosures. The provisions of this standard are effective for annual periods beginning after December 15, 2025. The Company is currently evaluating the impact of this new guidance on its financial statements.

### NOTE 2 – RELATED PARTY TRANSACTIONS

In recognition of certain benefits and services the Parent Company has provided the Company, the Company paid the Parent Company amounts totaling \$18,246,168, \$19,273,390, and \$18,770,438 for the years ended March 31, 2024, 2023, and 2022, respectively. On June 29, 2023, the Company, as approved by the Board of Directors, declared dividends of \$1,000 per share of outstanding common stock of 5,000 shares to the Parent Company; dividends paid amounted to \$5,000,000. On September 15, 2022 and August 4, 2021, the Company declared dividends of \$2,000 per share of outstanding common stock of 5,000 shares to the Parent Company; for each declaration, dividends paid amounted to \$10,000,000.

On July 1, 2016, the Company entered into an “Agreement for Franchise Operations” with Advanced Fresh Concepts Pty Ltd (AFCPL), a wholly owned Australian subsidiary of the Parent Company. Pursuant to the agreement, the Company granted AFCPL certain rights and privileges related to the franchising of food service counter operations in Australia and New Zealand. In recognition of the rights and privileges conveyed and administrative expenses not directly reimbursed, the Company will receive an annual service fee from AFCPL as stipulated in the agreement. The initial term is for five years, absent notification by either party, will renew for an additional five-year period. Service fee income related to this agreement amounted to \$2,376,942, \$2,887,446, and \$2,559,012 for the years ended March 31, 2024, 2023, and 2022, respectively.

Effective July 1, 2016, the Company began purchasing substantially all of their products from AFC Distribution Corp., a wholly owned subsidiary of the Parent Company. Prior to this, the Company had purchased most of their products from the Parent Company.

**ADVANCED FRESH CONCEPTS FRANCHISE CORP.**  
**NOTES TO FINANCIAL STATEMENTS**

---

**NOTE 2 – RELATED PARTY TRANSACTIONS**

The following is a summary of significant transactions and balances with the Parent Company and affiliates as of and for the years ended March 31, 2024, 2023, and 2022:

	2024	2023	2022
Due from Parent Company (see Note 5)	\$ 36,490,270	\$ 36,289,288	\$ 41,072,465
Due from affiliates	2,376,942	2,887,446	2,561,212
Due to affiliate	19,299,097	18,582,630	17,206,276
Purchases	229,046,919	206,428,162	179,839,080
Service fee expense	18,246,168	19,273,390	18,770,438
Service fee/management fee income	2,376,942	2,887,446	2,559,012
Dividend	5,000,000	10,000,000	10,000,000

**NOTE 3 – CONCENTRATION OF CREDIT RISK AND OTHER RISKS**

Risks

The Company maintains its cash accounts in two banks located in California and two banks in Canada. Management believes that the Company is not exposed to any significant risk related to cash and cash equivalents because of the high quality of the financial institutions where cash and cash equivalents are deposited.

For the year ended March 31, 2024, receipts processed by the top two supermarket chains represented approximately 43% of total facility owner gross receipts; as of March 31, 2024, approximately 37% of the accounts receivable from facility owners are associated with three supermarket chains.

For the year ended March 31, 2023, receipts processed by the top two supermarket chains represented approximately 42% of total facility owner gross receipts; as of March 31, 2023, approximately 30% of the accounts receivable from facility owners are associated with these two supermarket chains.

For the year ended March 31, 2022, receipts processed by the top two supermarket chains represented approximately 42% of total facility owner gross receipts; as of March 31, 2022, approximately 26% of the accounts receivable from facility owners are associated with these two supermarket chains.

**ADVANCED FRESH CONCEPTS FRANCHISE CORP.**  
**NOTES TO FINANCIAL STATEMENTS**

**NOTE 4 – EQUIPMENT**

At March 31, 2024 and 2023, equipment is summarized by major classifications as follows:

	2024	2023
Vehicles	\$ 3,376,436	\$ 2,412,332
Computer equipment	1,662,574	1,609,379
Furniture and fixtures	797,339	677,485
	5,836,349	4,699,196
Accumulated depreciation	(2,564,023)	(2,222,001)
	3,272,326	2,477,195
Construction in progress	1,286,946	460,468
	<b>\$ 4,559,272</b>	<b>\$ 2,937,663</b>

**NOTE 5 – INCOME TAXES**

The Company is included in the consolidated income tax returns of the Parent Company as a member of an affiliate group for U.S. federal and certain state income taxes. For financial reporting purposes, the provision for income taxes is computed as if the Company were filing on a separate return basis. The Parent Company pays federal and certain state income taxes on behalf of the Company. Federal income tax payable is determined based on the consolidated taxable income and allocated based on the individual taxable income of the members of the group. State income tax payable is calculated based on standalone taxable income for each state that the Company files a separate income tax return and combined taxable income of the group for each state a consolidated income tax return is filed with the payable amount allocated according to the filing requirement of each member of the group.

Outstanding income tax balances related to the Company's share in income tax liability that have been offset against due from Parent Company as of March 31, 2024 and 2023 amounted to \$3,287,547 and \$3,143,489, respectively. The components of the provision for income taxes for the years ended March 31, 2024, 2023, and 2022 are as follows:

	2024	2023	2022
Current taxes:			
Federal	\$ 3,556,076	\$ 3,316,665	\$ 3,197,653
State	1,321,642	1,356,769	1,514,142
Foreign	124,237	184,662	175,854
	5,001,955	4,858,096	4,887,649
Deferred taxes:			
Federal	(253,801)	(267,895)	(213,932)
State	(197,269)	(179,880)	(232,505)
	(451,070)	(447,775)	(446,437)
	<b>\$ 4,550,885</b>	<b>\$ 4,410,321</b>	<b>\$ 4,441,212</b>

**ADVANCED FRESH CONCEPTS FRANCHISE CORP.**  
**NOTES TO FINANCIAL STATEMENTS**

**NOTE 5 – INCOME TAXES (Continued)**

The provisions for income taxes for the years ended March 31, 2024, 2023, and 2022 are different from the amounts computed by applying the statutory U.S. federal income tax rate to net income before income taxes primarily due to state/foreign income taxes, change in valuation allowance, foreign-derived intangible income deduction, foreign tax credits and certain non-deductible items.

The components of the Company's deferred tax assets and liabilities at March 31, 2024 and 2023 are stated below:

	2024	2023
Deferred tax assets:		
Accrued vacation	\$ 264,000	\$ 258,000
Accrued bonus	297,000	240,000
Allowance for doubtful accounts	95,000	109,000
State taxes	36,348	73,988
Deferred revenue	3,669,000	3,270,000
Lease liabilities	45,000	-
Foreign tax credits	188,000	47,000
Translation adjustments	258,000	251,000
Total deferred tax assets	4,852,348	4,248,988
Deferred tax liabilities:		
Right-of-use assets	(45,000)	-
Research and development	(24,000)	-
Equipment basis	(386,000)	(305,000)
Total deferred tax liabilities	(455,000)	(305,000)
Net deferred tax assets	<b>\$ 4,397,348</b>	<b>\$ 3,943,988</b>

The Company believes that its deferred tax assets are more likely than not to be realizable based on estimates of future taxable income.

**NOTE 6 – FACILITY LICENSING CHARGES**

The Company enters into license agreements with facility owners which allow the Company or franchisees to operate food service counters as separate departments within supermarkets and other venues. As provided in the license agreements, the facility owners are entitled to receive consideration equivalent to a certain percentage of gross receipts collected at franchised stores and company-managed stores. Facility licensing charges constitute a cost of the Company in granting the franchise rights to franchisees and cost of selling food and related products at the company-managed stores.

**ADVANCED FRESH CONCEPTS FRANCHISE CORP.**  
**NOTES TO FINANCIAL STATEMENTS**

---

**NOTE 6 – FACILITY LICENSING CHARGES (Continued)**

Total gross receipts at franchised stores and company-managed stores collected by facility owners amounted to \$1,207,837,708, \$1,213,324,433, and \$1,149,348,937 for the years ended March 31, 2024, 2023, and 2022, respectively.

The facility licensing charges presented under operating expenses in the statement of comprehensive income amounted to \$318,498,056, \$320,391,751, and \$304,359,911 for the years ended March 31, 2024, 2023, and 2022, respectively.

**NOTE 7 – FRANCHISE OPERATIONS**

The Company executes franchise agreements that set the terms of its arrangement with each franchisee for five years. If fully compliant with all requirements, a franchisee may generally renew their agreement upon the expiration of the agreement, which is usually for another period of five years.

Franchise revenue for the years ended March 31, 2024, 2023 and 2022 is as follows:

	<u>2024</u>	<u>2023</u>	<u>2022</u>
Sales-based royalty	\$ 400,795,516	\$ 396,642,891	\$ 369,746,890
Franchise fees	5,351,042	4,863,067	4,675,460
Others	<u>4,719,026</u>	<u>3,719,641</u>	<u>3,569,539</u>
	<b><u>\$ 410,865,584</u></b>	<b><u>\$ 405,225,599</u></b>	<b><u>\$ 377,991,889</u></b>

Others consists of mainly training fee and additional services that are being provided to franchisees.

As of March 31, 2024, the number of franchisees in the United States and Canada amounted to approximately 3,206 and 70, respectively. The number of franchisee-operated locations in the United States and Canada approximated 4,200 and 81, respectively.

As of March 31, 2023, the number of franchisees in the United States and Canada amounted to approximately 3,135 and 67, respectively. The number of franchisee-operated locations in the United States and Canada approximated 4,135 and 78, respectively.

In certain instances, the Company may temporarily operate a food service counter until a franchisee is found. The number of company-managed locations as of March 31, 2024 and 2023, is approximately 241 (United States – 238; Canada – 3) and 217 (United States – 214; Canada – 3), respectively.

**ADVANCED FRESH CONCEPTS FRANCHISE CORP.**  
**NOTES TO FINANCIAL STATEMENTS**

**NOTE 7 – FRANCHISE OPERATIONS (Continued)**

As provided in the franchise agreement, franchisees are entitled to receive commissions based on a certain percentage of gross receipts from franchised stores as agreed by the Company and the franchisee. These franchisee commissions amounted to \$780,540,690, \$792,787,254, and \$760,528,308 for the years ended March 31, 2024, 2023, and 2022, respectively. Amounts owed by the franchisees for food purchases, related products, and other charges are deducted from their commission.

**NOTE 8 – 401(K) SAVINGS PLAN**

The Company belongs to the AFC 401(k) Retirement Plan (the “Plan”) in which eligible employees of the Company can participate. The Plan is currently sponsored by the Parent Company. Under the Plan, eligible participants can elect to defer up to 100% of their wages, subject to statutory limitations. The Plan allowed for a matching contribution equal to 50% (25% prior to July 1, 2022) of the first 6% contributed by the employees. Employees are eligible to participate if the employee has one year of service with 1,000 hours of service completed. The Company’s contributions totaled \$222,222, \$172,656, and \$94,418 for the years ended March 31, 2024, 2023, and 2022, respectively.

**NOTE 9 – LEASES**

The Company leases central kitchen space and copy machines under operating lease agreements that expire in May 2024 to February 2028. The central kitchen space leases include an option to extend the lease term. The Company considers such an extension option in determining the lease term, when it is reasonably certain to exercise the extension option. As of March 31, 2024, all central kitchen space leases are considered short-term leases.

The Company had a vehicle lease classified as a finance lease with an interest rate of 0.73% which expired in August 2023. At March 31, 2023, this finance lease was included in other assets and amounted to \$1,692.

Operating lease cost is recognized on a straight-line basis over the lease term. The components of lease expense are as follows for the years ended March 31, 2024 and 2023:

	2024	2023
Operating lease cost	\$ 62,633	\$ 52,848
Variable lease cost	18,865	-
Finance lease cost – amortization of right of use assets	423	5,075
Finance lease cost – interest on lease liabilities	34	596
Short-term lease cost	368,964	205,146
Total lease expense	<b>\$ 450,919</b>	<b>\$ 263,665</b>

**ADVANCED FRESH CONCEPTS FRANCHISE CORP.**  
**NOTES TO FINANCIAL STATEMENTS**

**NOTE 9 – LEASES (Continued)**

Supplemental cash flow information related to leases is as follows for the years ended March 31, 2024 and 2023:

	2024	2023
Cash paid for amounts included in measurement of lease liabilities:		
Operating cash outflows – payments on operating leases	\$ 56,723	\$ 50,189
Operating cash outflows – payments on finance leases	34	596
Financing cash outflows – payments on finance leases	1,746	3,941
Right-of-use assets obtained in exchange for lease obligations:		
Operating lease	127,292	-

As of March 31, 2024 and 2023, the lease term and discount rate for leases are as follows:

	2024	2023
Weighted-average remaining lease term:		
Operating lease	2.95 years	2.26 years
Finance lease	-	0.37 years
Weighted-average discount rate:		
Operating lease	3.93%	2.52%
Finance lease	-	0.73%

Future undiscounted cash flows for each of the next five years and thereafter and a reconciliation to the operating lease liabilities recognized on the balance sheet are as follows as of March 31, 2024:

<u>Years Ending</u> <u>March 31,</u>	
2025	\$ 62,764
2026	48,428
2027	34,764
2028	14,174
Total lease payments	160,130
Less imputed interest	9,499
<b>Total present value of lease liabilities</b>	<b><u>\$ 150,631</u></b>

**ADVANCED FRESH CONCEPTS FRANCHISE CORP.**  
**NOTES TO FINANCIAL STATEMENTS**

---

**NOTE 10 – CONTINGENCIES**

The Company is exposed to various asserted and unasserted legal claims, actions and complaints in the ordinary course of business including disputes regarding franchise agreement provisions or terminations, unfair business practices, product quality and trademark infringement. It is the opinion of management that the resolution of such claims will not have a material adverse effect on the financial position or results of operations of the Company.

**NOTE 11 – SUBSEQUENT EVENTS**

The Company has evaluated subsequent events through June 26, 2024, the date on which the financial statements were available to be issued.

**EXHIBIT B**

**FRANCHISE APPLICATION**



# Advanced Fresh Concepts Franchise Corp.

Fax: 310-604-6449 Franchise Application Form Attn: \_\_\_\_\_

AFCFC welcomes and considers applicants for franchises without regard to race, color, religion, ancestry, national origin, age, disability, medical condition, genetic information, marital status, sexual orientation or other protected characteristics. AFCFC is an Equal Opportunity Franchisor.

Application # \_\_\_\_\_ Date of Application: \_\_\_\_\_

## Applicant Information

Name \_\_\_\_\_  
(Print) Last First Middle Other name SSN or any other identifying number

Current Address \_\_\_\_\_

City State Zip Code

Physical U.S. Residence, if different from above \_\_\_\_\_

City State Zip Code

Home Phone ( ) \_\_\_\_\_ Work Phone ( ) \_\_\_\_\_

Mobile ( ) \_\_\_\_\_ E Mail \_\_\_\_\_

Where did you hear about us? \_\_\_\_\_

## Location

### Potential Franchisee

Location Preference \_\_\_\_\_

Anywhere Location 1 Location 2 Location 3

Education			
	Print the name and city of each school	Graduated Yes or No	Degree Awarded
High School			
College			
Vocational			

**Employment Record**

Are you currently working as a sushi chef or helper at an AFC Food Service Counter? Yes  No   
 If yes, where and who is your employer? \_\_\_\_\_

Have you ever worked at an AFC Food Service Counter before? Yes  No   
 If yes, when and where? \_\_\_\_\_

Have you ever worked at any Sushi Bar before? Yes  No   
 If yes, when and where? \_\_\_\_\_

Have you ever worked at a food service establishment before? Yes  No   
 If yes, when and where? \_\_\_\_\_  
 (Continued on other side)

**Are you now employed?** Yes  No

Can we contact your **present** employers for references? Yes  No  \_\_\_\_\_  
 (Sign Here)

If you checked no, please explain \_\_\_\_\_

Can we contact your **former** employer(s) for references? Yes  No  \_\_\_\_\_  
 (Sign Here)

If you checked no, please explain \_\_\_\_\_

**List present and all former Employers or Personal Business (use additional sheets if necessary)**

Dates Employed	Employer Name, Address and Phone #		Position	Reason for leaving

**Other Information**

Have you ever been convicted of a criminal offense (felony or misdemeanor)? Yes  No   
 (Convictions for marijuana-related offenses that are more than two years old need not be listed.)

If yes, state nature of the crime(s), when and where convicted, and disposition of the case? \_\_\_\_\_  
 \_\_\_\_\_  
 \_\_\_\_\_

A conviction does not automatically disqualify you from consideration for an AFC franchise.

Are you legally eligible to work in the United States? Yes  No

Proof of Eligibility documentation must be provided before signing a franchise agreement as required by law.

Are you at least 18 years of age? Yes  No

Are you now or have you been subject to any judgments, liens or garnishments within the last 5 years? Yes  No

**Real Estate Investments** (list all real estate held)

Description or street address of property \_\_\_\_\_  
\_\_\_\_\_

Date of purchase \_\_\_\_\_ Cost \_\_\_\_\_

Monthly/Mortgage Payment \_\_\_\_\_ Balance \_\_\_\_\_

**Emergency Contact**

	Name	Address & Phone Number	Relationship
I			
II			

**Name of friends and relatives who are employed by or are franchisees for AFC or AFCFC.**

	Name	Relationship	Address & Phone No.
I			
II			

**Name of family or friends who are currently operating other Sushi or Food Service Businesses.**

	Name	Relationship	Address & Phone numbers
I			
II			

**Personal, and Professional References**

	Name	Phone	Address
I			
II			

**Please read carefully and sign:**

By signing below, I certify, represent and warrant that:

1. The undersigned personally completed this application;
2. The information provided in this application and any accompanying resume or documentation, is all true and correct;
3. I understand that any omission or false or misleading information on this application or in any document produced by me in connection with this application may disqualify me from further consideration and may lead to immediate termination of my franchise when discovered later, regardless of the time elapsed before discovery;
4. I authorize the investigation of all information, references, work records, education and all other matters related to my suitability to be a franchise owner. I further authorize the references listed above to disclose to AFCFC any and all letters, reports, and other information related to my work records, without providing me prior notice of such disclosure. I hereby release AFCFC, my former employers, and all other persons, corporations, partnerships, and associations from any and all claims, demands and/or liabilities arising out of or in any way related to such investigation or disclosure. I authorize AFCFC to conduct a background check on me and have signed the Disclosure and Authorization for Business Relationship form.
5. No representative of AFCFC has any authority to enter into any agreement for any specified period of time, or to make any agreement contrary to the foregoing, unless it is in writing and signed by an authorized company representative. No representative of AFCFC is authorized to provide me information or make any representation to me about actual or potential sales, profits or earnings. However, we may provide actual sales information for a specific outlet being offered to you for sale.
6. The information contained in this application is not confidential. I authorize AFCFC to provide this Application or any of its contents to the owner or management of any location(s) where it is possible I may operate an AFC food service counter.
7. I understand this is an Application, not an agreement. There is no promise to consider this Application or to grant me a franchise.

**Applicant's Signature** \_\_\_\_\_ **Date** \_\_\_\_\_

**For Office use only**

Interviewer Location	Action Taken	Position/Dept.	Starting Date	Store

**EXHIBIT C**

**FRANCHISE AGREEMENT**

## FRANCHISE AGREEMENT

This Franchise Agreement (this “Agreement”) is made and entered into on \_\_\_\_\_, 20\_\_ between Advanced Fresh Concepts Franchise Corp. a California corporation whose address is 19700 Mariner Avenue, Torrance, California 90503 (“Franchisor”), and \_\_\_\_\_ whose address is \_\_\_\_\_ (“Franchisee”), with reference to the following facts:

### RECITALS

Franchisor is the owner of certain intellectual property comprised of trademarks, know-how, trade secrets and other intangible property and a licensee of other marks, all comprising a system (the “AFC System”) for developing and operating food service counters in grocery stores, retail stores and other locations. Franchisee desires to be granted a franchise to establish and operate food service counter(s) using the AFC System. Franchisor is willing to grant a franchise to Franchisee on the terms in this Agreement. Accordingly, the parties now agree as follows:

### AGREEMENT

#### 1. Appointment.

Franchisor grants to Franchisee, and Franchisee accepts, the right to operate one or more Zenshi Counter(s), AFC Food Service Counter(s), or Wild Blue Counter(s) ~~or Zenshi Counter(s)~~ (the “Food Service Counter(s)”) as indicated in and at the location(s) identified in the Franchise Addendum(s) attached to this Agreement (the “Franchise Addendum(s)”) using the AFC System as it may be modified or further developed by Franchisor, all according to the terms in this Agreement. Franchisee acknowledges that the Franchise Addendum(s) may be comprised of one or more of the following: Full-Time Location Franchise Addendum, Part-Time Location Franchise Addendum and/or Self-Service Location Addendum. Franchisee shall use Franchisee’s best efforts to develop and expand the market for the goods and services offered by the Food Service Counter(s) and shall cooperate with Franchisor in accomplishing the purposes of this Agreement.

#### 2. Term.

The term of this Agreement shall be five years starting on the date stated in the introductory paragraph of this Agreement and ending on the fifth anniversary of that date, notwithstanding any start date stated in any Franchise Addendum between Franchisee and Franchisor. Regardless of the term, this Agreement shall terminate earlier on the date this Agreement is terminated as provided in Sections 15.1 through 15.5. Further, at any time during the five year term, Franchisee may apply to Franchisor in writing to terminate this Agreement early, with the termination to be effective on the 90th day following delivery of written notice, or such earlier time as the parties mutually agree in writing. Franchisor shall have 30 days to accept Franchisee’s early termination request. Franchisor’s failure to accept Franchisee’s request within such 30 day period shall be deemed Franchisor’s election to reject Franchisee’s early termination request.

#### 3. Location(s).

3.1. Initial Location(s). Franchisee shall operate the Food Service Counter(s) only at the location(s) identified in the Franchise Addendum(s).

3.2. Relocation. In the event of the loss of the right or consent to operate at any of Franchisee's location(s), or the location owner's or manager's objection to Franchisee, without fault of Franchisee, Franchisor shall attempt to identify a new location for Franchisee, and shall consent to relocation of the affected Food Service Counter to an alternate location and site acceptable to Franchisor. Any such relocation shall be at Franchisee's sole expense. Franchisee acknowledges that relocation may not be possible before expiration of the term of this Agreement, or at all; that any new location may not be comparable to the old; and that relocation, if possible, could involve a substantial interruption in operating the Food Service Counter until a new location is identified and prepared. Franchisee releases Franchisor and its affiliates, and each of their respective officers, directors, agents and employees from any loss of right or consent to operate at the location, and further agrees not to hold Franchisor liable for any such event during the term of this Agreement or thereafter.

3.3. Acknowledgment. Franchisee acknowledges that the right to locate any Food Service Counter at a particular location, may be derived from an agreement between Franchisor (or an entity affiliated with Franchisor, such as Advanced Fresh Concepts Corp.) and the owner or lessee of the location where the Food Service Counter is located; that the agreement may be modified or terminable by the owner and/or manager of the location at any time and on short notice; and/or the owner or facility manager may object to Franchisee operating there; and that modification, termination or objection by the owner or facility manager may therefore result in the need for relocation and resulting disruption and interruption to Franchisee or adjustment to the franchise operations (such as if the facility owner requests that the operations be converted from a full time location to a self-service, or part time location, and vice versa). Franchisee also acknowledges that the owner or facility manager may require changes to the type of food products offered at the Food Service Counter and other changes. Franchisee acknowledges that the choice of location (identified in the Franchise Addendum(s)), types of food offered at the location, types of operations (full time, part time or self-service) and right to continue operating at the location is subject to the location owner's and/or manager's consent.

3.4. No Exclusivity. This Agreement does not include any territory or marketing exclusivity. Franchisor shall have the right to operate or grant franchises or licenses to others to operate food service counters under the marks "Zenshi," "AFC," "Wild Blue," "~~Zenshi~~" or any other mark anywhere, regardless of how close they are to the Food Service Counter(s) that Franchisee operates; to sell products and other items to anyone and anywhere (even in the facilities where Franchisee operates), including pre-packaged products identified by the Marks (as defined below) or other marks, whether or not such marks are authorized for use by Franchisee, as well as other products or services under the Marks and other trademarks and service marks. Furthermore, Franchisor shall have the right to use other channels of distribution, such as the Internet, telemarketing, catalog sales, other direct marketing sales and other means to advertise, sell and distribute products to anyone and anywhere; and other Zenshi/AFC/Wild Blue/Zenshi Food Service Counters (regardless of who owns or operates them) may advertise to and solicit prospective customers regardless of geographic location. Franchisor shall have no obligation to compensate Franchisee for any sales made through these methods or any other methods.

3.5. Restrictions on Distribution Methods. Franchisee shall only sell products to end customers who are physically present at Franchisee's Food Service Counter(s). Franchisee shall not engage in the resale of any product or supply at wholesale, retail or otherwise without Franchisor's express written consent. Franchisee shall not use any other channels of distribution such as the Internet, catalog sales, telemarketing or otherwise to conduct sales.

#### 4. Trademarks.

4.1. Ownership. Franchisee acknowledges that Franchisee owns no right, title, interest or goodwill in the trademarks “Zenshi,” “Advanced Fresh,” the oval AFC logo, “Wild Blue,” “Zenshi,” “Hybrid Sushi,” “Southern Tsunami,” the Southern Tsunami logo, or any other marks or trade dress that Franchisor adopts and permits Franchisee to use from time to time (collectively, the “Marks”); that as between Franchisee and Franchisor all right, title and interest in and to the Marks shall be deemed to be owned by Franchisor; that all usage of the Marks and goodwill established by that use is exclusively for Franchisor’s benefit; and that this Agreement does not confer any goodwill or other interests in the Marks on Franchisee.

4.2. Use. Franchisee shall not use any Mark or portion of any Mark as part of the name of any business entity. Franchisee shall not use any Mark in selling any unauthorized product or service or in any manner not expressly authorized in writing by Franchisor. Franchisee shall not establish an email address or an Internet web site or the like using any domain name containing the words “Zenshi,” “Advanced Fresh,” “AFC,” “Wild Blue,” “Zenshi,” “Hybrid Sushi,” “Southern Tsunami,” or any variation without Franchisor’s prior written consent. Franchisee shall only use the Marks associated with the Food Service Counter concept Franchisee is permitted to operate. Franchisee shall give notices of trademark and service mark registration that Franchisor specifies and obtain fictitious or assumed name registrations as may be required by applicable law. Franchisee shall restrict use of the Marks as may be required by each owner of the facility where the Food Service Counter(s) is/are located.

4.3. Notice. Franchisee shall notify Franchisor immediately of any claim or demand arising from any attempt by any other person or entity to use the Marks or any similar marks or if Franchisee discovers anyone else is infringing the Marks. Franchisor shall have the sole right and obligation to decide what action, if any, to take with regard to any such matter and Franchisee shall cooperate with Franchisor and execute any and all documents and take all actions that Franchisor requests with regard to the matter.

4.4. Change. If it becomes advisable at any time, in Franchisor’s sole discretion, for Franchisor to modify or discontinue use of any Mark, and/or use one or more additional or substitute trade names, trademarks, service marks or other commercial symbols, Franchisee shall comply with Franchisor’s directions to do so at Franchisee’s cost and expense.

4.5. Inspection. To preserve the validity and integrity of the Marks and to assist Franchisor in steps seeking to assure that Franchisee operates according to this Agreement and uses the Marks properly in operating the Food Service Counter(s), Franchisor or its agents shall have the right to enter and inspect the Food Service Counter(s), and to interview customers, suppliers or others, at all reasonable times. Franchisee shall fully cooperate with Franchisor in any inspection or visit Franchisor conducts and shall provide Franchisor’s personnel full access to the Food Service Counter(s) for this purpose. Any obstruction, interference or prohibition by Franchisee of Franchisor’s right to inspect the Food Service Counter(s), including, without limitation, to investigate threats or dangers to public health and safety, shall constitute a material breach of this Agreement. If Franchisor, in its sole discretion, determines that a lab test is required to test the quality, safety and freshness of the foods sold at any Food Service Counter operated by Franchisee, Franchisor shall have the right to assess Franchisee a lab fee of up to \$500 for each sample tested.

4.6. Location Exceptions. Franchisee acknowledges that at certain locations, Franchisee may not be able to use the Marks due to agreements with the facility owner. Franchisee shall abide by such requirements.

## 5. Confidential Operations Manuals.

5.1. Loan of Operations Manuals. Franchisor shall loan to Franchisee during the term of this Agreement one copy of Franchisor's confidential Operations Manual, one copy of Franchisor's Standard Sanitation Operating Procedure and Methods Manual, Recipe Manual(s) applicable to the franchise and one Steam Table Operating Manual, if applicable to Franchisee's business (collectively the "Manuals") for each Food Service Counter operated by Franchisee, except, no Manuals shall be provided for a Self Service location. The Manuals shall contain mandatory and suggested specifications, standards, operating procedures and rules prescribed from time to time by Franchisor for Food Service Counters. Franchisor shall have the right to modify the Manuals from time to time. Franchisee shall comply with the Manuals, as modified by Franchisor. Franchisee shall pay Franchisor's then current manual lease fee for each Manual received from Franchisor. The manual lease fee paid by Franchisee shall be refunded to Franchisee when Franchisee returns the Manuals to Franchisor within 30 days of the termination or expiration of this Agreement or any applicable addendum. For purpose of clarification, there shall be no refund if Franchisee fails to return the Manual(s) or returns any manual more than 30 days after expiration or termination of this Agreement or any applicable addendum.

5.2. Ownership. The Manuals shall be at all times the sole property of Franchisor. Franchisee shall return the Manuals immediately on expiration or termination of this Agreement. Franchisee shall not make and shall not let Franchisee's personnel make any copy of all or part of the Manuals.

5.3. Confidentiality. Franchisee acknowledges that the Manuals contains confidential information and that its loss or disclosure would cause substantial damage to Franchisor. Franchisee shall protect the Manuals as a trade secret of Franchisor.

## 6. Confidential Information.

6.1. Secrets. Franchisee acknowledges that Franchisor's product recipes, methods of preparing the products, and operating procedures for a Food Service Counter are valuable and secret in the sense that they are not generally known to competitors of Franchisor. Other information that Franchisor designates as confidential shall be deemed confidential for this Agreement, except information that Franchisee proves he or it knew before disclosure from Franchisor; or lawfully entered the public domain, through publication by others.

6.2. Protection. Franchisee shall maintain the confidentiality of all trade secrets during and after the term of this Agreement. Franchisee shall not use this information in any other business or in any manner not specifically authorized or approved in writing by Franchisor. Franchisee shall reveal the trade secrets to employees only to the extent they need the information to perform their jobs. Franchisee shall use reasonable precautions to require employees to keep the information confidential; and shall take any additional steps to protect confidentiality that Franchisor requests from time to time.

6.3. Acknowledgments. Franchisee acknowledges that (a) the trade secrets also include information that cannot be removed from Franchisee's knowledge and memory and that would inevitably be used and disclosed if Franchisee held interests in any competitive business; (b) Franchisor could not protect the trade secrets against unauthorized use or disclosure, could not readily assure compliance with Sections 6.1 through 6.2 if Franchisee held interests in any competitive business; and that (c) involvement by Franchisee in any competitive business would create a high level of temptation and opportunity to use Franchisor's trade secrets.

6.4. Exclusive Dealing. Franchisee acknowledges that Franchisor enters into this Agreement in consideration of, and reliance on Franchisee's agreement to deal exclusively with Franchisor and to refrain

from using any of Franchisor's trade secrets in any activity competitive with Franchisor, and to refrain from transferring the goodwill associated with the Marks to any other business. Therefore, during the term of this Agreement, Franchisee and, collectively and individually all directors, officers and holders of any direct or indirect beneficial ownership interest of five percent (5%) or more of the securities or other equity interests of Franchisee, or of any corporation, limited liability company, partnership or other form of entity affiliated with or directly or indirectly controlling or controlled by Franchisee, and each relative of each such person who is an individual, including each such person's mother, father, husband, wife, brother, sister, son or daughter (collectively "Covered Persons"), shall not have any interest as an owner, investor, partner, lender, director, officer, member, manager, employee, consultant, representative or agent or in any other capacity in any business selling Asian style foods, sushi or fresh fish products, steamed foods or any other retail food business without Franchisor's prior written consent. For 2 years after this Agreement expires without renewal or terminates, Franchisee and all Covered Persons shall not have any interest as an owner, investor, partner, lender, director, officer, member, manager, employee, consultant, representative or agent or in any other capacity in any business selling Asian style foods, sushi or fresh fish products, steamed foods or other food items developed or sold in the AFC System without Franchisor's prior written consent within:

A. 5 miles of any food service counter operated by Franchisor or by any franchisee or licensee or other affiliate of Franchisor in a major city (as defined below);

B. 10 miles of any food service counter operated by Franchisor or by any franchisee or licensee or other affiliate of Franchisor in a metropolitan area (as defined below);

C. 15 miles of any food service counter operated by Franchisor or by any franchisee or licensee or other affiliate of Franchisor in a rural area (as defined below).

D. For this Agreement, a "major city" means any of the top 25 cities in the U.S. measured by population; a "metropolitan city" means any city other than a major city where the population density is greater than 1,000 people per square mile; and a "rural area" means an area whose population density is 1,000 people per square miles or less. These figures shall be measured at the time of expiration or termination.

E. On written request from Franchisee, Franchisor will provide Franchisee a list of locations within a reasonable geographic area, to assist Franchisee in complying with this obligation.

6.5. Exceptions. The restrictions in Section 6.1 through 6.4 shall not apply to ownership of (a) securities listed on a stock exchange or traded on the over the counter market that represent two percent (2%) or less of the number of shares of the class of securities issued and outstanding; or (b) other food service counters that Franchisee has an interest in pursuant to a written agreement with Franchisor.

6.6. Separate Covenants. Each of the covenants in Sections 6.1 through 6.4 and each portion thereof, shall be construed as independent of any other covenant or provision. If all or any portion of a covenant is unenforceable due to its scope in terms of geography, duration, or activity covered or otherwise, but could be enforced if reduced in scope, then the parties agree to be bound by any lesser covenant subsumed within the terms of such covenant imposing the maximum duty permitted by law, as if the resulting covenant were separately stated in and made a part of the applicable provision within Sections 6.1 through 6.4.

## 7. System Changes.

7.1. Changes by Franchisor. Franchisee acknowledges that periodically Franchisor may modify any aspect of the AFC System, including, but not limited to, as required by law. Franchisor reserves the right to expand food offerings available at Food Service Counter(s), including hot foods and other food types. Franchisor shall communicate modifications through the Manuals or other ways. Franchisee shall comply with all modifications that Franchisor makes from time to time, at Franchisee's expense.

7.2. No Changes by Franchisee; Improvements to the AFC System. Franchisee shall not modify or deviate from any aspect of the AFC System without Franchisor's prior written consent. Franchisee shall notify Franchisor in writing of any proposed improvement to the AFC System ("Improvement") and provide to Franchisor such information as Franchisor requests regarding the Improvement. Any Improvement to the AFC System made by Franchisee for any purpose will be deemed to be a "work made for hire" under U.S. copyright law for the benefit of Franchisor, and therefore, Franchisor shall own the intellectual property rights in and to the improvements and may use the same for any and all purposes. To the extent any Improvement does not qualify as a work made for hire, Franchisee hereby assigns those Improvements to Franchisor for no additional consideration and with no further action required. Franchisee shall sign all further assignments or instruments, as Franchisor may request to effectuate the parties' agreement hereunder. If Franchisee should fail to do so, Franchisee hereby appoints Franchisor as Franchisee's attorney-in-fact with full power and authority for the sole purpose of executing and filing all assignments and other instruments necessary to obtain title to the Improvements in the name of Franchisor. This appointment shall be deemed to be coupled with an interest and shall continue in full force and effect following the termination or expiration of this Agreement. Franchisor shall have the right to incorporate the Improvements into the AFC System and into any other businesses in which Franchisor or its Affiliates have an interest without compensation to Franchisee. If the foregoing provisions of this Section 7.2 are found to be invalid or otherwise unenforceable, Franchisee hereby grants Franchisor a worldwide, perpetual, non-exclusive, fully paid license to use and sublicense the use of the Improvement to the extent Franchisor's use or sublicense would, absent this Agreement, directly or indirectly infringe Franchisee's rights therein.

## 8. Advertising.

8.1. Approval. Franchisee shall submit to Franchisor for prior approval, all advertising and promotion that Franchisee proposes to use, whether for print, broadcast, electronic or other media (including on the Internet), as well as novelty items, signs and containers. Franchisee shall use those materials only after receiving Franchisor's written consent, and shall not use any material without first obtaining Franchisor's written consent. Franchisor may withhold or later revoke consent, or may condition consent on modifications or other restrictions. Delay by Franchisor to require compliance or cure does not waive Franchisor's rights under this Section 8.1.

8.2. Advertising Restrictions. Franchisor shall have the right to impose geographic and/or other restrictions on advertising that Franchisee conducts or proposes to conduct. Franchisee shall include trademark and copyright notices and notices of independent ownership in advertising as Franchisor requests from time to time.

8.3. Phone Directory. Franchisor shall have the right to require Franchisee to maintain a listing in local telephone directories, according to standards set by Franchisor.

8.4. Cooperative Advertising. Franchisor reserves the right, in the future, to designate a geographic region that includes Franchisee's Food Service Counter(s) and at least one other Zenshi/AFC/Wild Blue/Zenshi food service counter as a local, regional or national cooperative area, for the purpose of developing a cooperative program. Franchisee shall participate in and contribute its share to the cooperative

designated by Franchisor, as determined according to the cooperative's operating procedures. The cooperative shall operate according to written governing documents prepared by or consented to by Franchisor. Franchisor shall have the right to veto any decision of the cooperative. Franchisor shall have the power to form, change, dissolve or merge cooperatives, at Franchisor's discretion.

8.5. Grocery Store Objection. Franchisee shall not conduct any advertising that is objectionable to the owner or manager of the premises where the Food Service Counter is located.

## 9. Fees and Compensation.

9.1 Initial Fee. Franchisee shall pay to Franchisor Franchisor's then current initial franchise fee for each Full Time Location to be operated by Franchisee under this Agreement. The initial fee shall be specified in the applicable Full Time Location Addendum. Franchisee acknowledges that Franchisor does not currently charge initial fees for Part-Time or Self Service location(s), however, Franchisee must have at least one operating Full Time location to be granted rights to a Part Time or Self Service location. While Franchisor does not currently charge initial fees for Part Time and Self Service locations, Franchisor reserves the right to implement such fees in the future. Franchisee shall pay the initial fee(s) in a lump sum on signing each Full Time Location Addendum. The fee is deemed to be fully earned on signing each addendum, and is nonrefundable. There shall be no refunds or prorations if a location starts as a Full Time location and later is transformed into a Self Service or Part-Time location. However, if a location starts as a Self Service or Part-Time location and is transformed into a Full Time location, then Franchisee shall pay Franchisor's then current initial franchise fee for such Full Time location.

9.2. Customer Payments. Franchisee acknowledges that under the AFC System's initial structure, Franchisee shall not receive payments for sales of goods and services of the Food Service Counter(s); and that those payments will be made directly or indirectly from customers to the facility (for example, a grocery store) where the Food Service Counter(s) is/are located, which shall then direct all payments to Franchisor, less an amount to be retained by the facility owner, pursuant to the facility owner's separate agreement with Franchisor. Franchisee acknowledges that under the AFC System, all sales will be sold by and through cash registers owned or operated by the owner of the facility where the Food Service Counter(s) is/are located. Franchisee shall not make any sales through cash registers of Franchisee without prior written consent of Franchisor. Franchisor shall have the right, but no obligation, to modify this payment structure from time to time.

9.3. Payments to Franchisee. Franchisor shall return to Franchisee the percentage amounts stated in the applicable Franchise Addendums attached to this Agreement. Franchisor shall have the right to deduct all amounts owed by Franchisee to Franchisor from the payments to Franchisee provided for in the applicable Franchise Addendum, or elsewhere, either as lump sum deductions or partial deductions made over time, until such deductions equal the full amounts owed to Franchisor. Franchisee acknowledges that Franchisor's sole responsibility shall be to remit to Franchisee the agreed commission percentage on amounts actually received from the facility owner. Franchisor shall have no responsibility to pay any commission to Franchisee on amounts not received from the facility owner. If Franchisor pays Franchisee's commission in any given month before receiving payment from the facility owner, and the facility owner does not pay Franchisor as required, Franchisee shall reimburse Franchisor the commissions paid. Franchisee shall reimburse Franchisor any amounts paid to Franchisee, that Franchisor discovers were paid in error. At Franchisor's discretion, Franchisor shall have the right (in lieu of Franchisee reimbursement) to withhold from future payments due to Franchisee such amounts paid in error. Franchisor shall send payments to Franchisee via direct deposit. Franchisee shall pay Franchisor's then current direct deposit fee for this purpose.

9.4. Payment Responsibility. Franchisee shall be solely responsible to pay when due all costs and expenses of the Food Service Counter(s), including but not limited to the purchase price of food items and inventory, utilities, employee compensation, sales and any other taxes imposed on, required to be collected, or paid on account of goods or services furnished by Franchisee. Franchisee acknowledges and agrees that if the facility owner, due to labor contracts or otherwise, requires Food Service Counter(s) employees to be employed directly by the facility owner, and Franchisor is asked to reimburse the facility owner for these employment costs, that Franchisor shall have the right to and shall deduct such payments from the amounts due to Franchisee pursuant to Section 9.3 of the Franchise Agreement.

9.5. Royalty. Franchisor shall have the right at any time to revise the AFC System so that Franchisee collects revenues from sales, and pays Franchisor royalties on a basis approximately equivalent in amount or rate to amounts or rates that Franchisor receives and retains pursuant to this Agreement. Any such revisions made from time to time shall be deemed to occur pursuant to this Agreement and shall not constitute a modification of the Franchise or of this Agreement.

9.6. Gross Sales. “Gross Sales” shall mean revenues derived from Franchisee’s sales. Gross Sales does not include sales tax, credits or refunds.

9.7 Customer Satisfaction Fee. Franchisor shall have the right to assess Franchisee up to One Thousand Dollars (\$1,000) for each customer complaint received, whether the complaint has any merit or not. This fee is not a penalty but to compensate Franchisor for the efforts the Franchisor must take to address the complaint. Franchisor’s assessment of the customer satisfaction fee shall not constitute a waiver by Franchisor of its rights to seek damages and/or other relief against Franchisee due to Franchisee’s conduct.

9.8 Default Charge Fee. Franchisor shall have the right to assess Franchisee up to \$1,000 per violation of any term, obligation or requirement of the Manuals or this Agreement. Franchisor’s assessment of this fee shall not constitute a waiver by Franchisor of its rights to seek damages and/or other relief against Franchisee arising from the violation.

9.9 Web and Data Charges. To gain access to Franchisor’s website pages which enable Franchisee to submit purchase orders online, and obtain information on new products, product specifications and other information, updates to Franchisee’s tablet data, and access to Franchisor’s inventory tracking software, Franchisor shall charge Franchisee a monthly fee of up to \$100 per Food Service Counter operated by Franchisee.

9.10 Bankruptcy By Facility Owner. If the facility owner where Franchisee’s Food Service Counter(s) is/are located files for bankruptcy, or other similar proceeding, Franchisor’s sole responsibility shall be to remit to Franchisee the agreed percentage on amounts actually received from the facility owner. Franchisor shall have no responsibility to pay any commission to Franchisee on amounts not received from the facility owner. If Franchisor pays Franchisee’s commission in any given month before receiving payment from the facility owner, and the facility owner does not pay Franchisor as required, Franchisee shall reimburse Franchisor the commissions paid.

9.11 Early Termination Fee. If this Agreement or any Franchise Addendum is terminated and/or if Franchisee abandons any Food Service Counter before the end of the term of this Agreement, Franchisor shall have the right, in addition to all other rights and remedies available to Franchisor in law and/or equity, to assess Franchisee an early termination fee of \$1,500 for each location terminated and/or abandoned. Such fee shall be payable at the earlier of (1) the time Franchisee notifies Franchisor of the desire to terminate/abandon, or (2) actual termination or abandonment of any location. Franchisor’s assessment of the early termination fee shall not constitute a waiver by Franchisor of its rights to seek damages and/or other relief against Franchisee due to the early termination and/or breach.

9.12 Administrative Fee. Franchisee shall reimburse Franchisor for Franchisor's costs and expenses in complying with tax levies and wage garnishments issued against Franchisee or Franchisee's owners, up to \$100 per garnishment/levy request.

9.13 Third Party Audits and Charges. Franchisee shall reimburse Franchisor for amounts paid by Franchisor to third parties (including, but not limited to, government agencies and facility owner(s)) for audits, inspections, fines and/or charges imposed or levied against the Food Service Counter, including food safety, facility audits and customer service.

9.14 Shipping Administrative Fee. Franchisor shall have the right to charge and Franchisee shall pay Franchisor's administrative charges, to ship products to Franchisee's Food Service Counter, in an amount up to two and one-half percent (2 ½%) of the purchase price. The administrative fee is in addition to actual shipping costs to ship products to Franchisee's Food Service Counter.

9.15 Account Broker Fee. If Franchisor pays a fee for the right to locate the Food Service Counter in the facility or store, Franchisee shall reimburse Franchisor for the amounts paid, not to exceed \$500 per quarter for each Food Service Counter subject to this fee.

9.16 Third-Party Delivery Fee. Franchisor may deduct from amounts owing to Franchisee any third-party delivery fees charged to Franchisor by the facility or store on account of purchases from the Food Service Counter. The third-party delivery fee charged to Franchisee will be in Franchisor's sole determination as follows: (i) the amounts charged to Franchisor by the facility or store on account of food delivered from the Food Service Counter or (ii) at Franchisor's discretion, Franchisor may agree to share a portion of the third-party delivery fee cost with Franchisee and deduct the agreed upon amount from the amounts due to Franchisee. Alternatively, the facility or store may charge the third-party delivery fee to Franchisee directly.

9.17 Local Store Marketing Expense. If the facility or store charges Franchisor for local marketing initiatives for the Food Service Counter, such as on-site advertisements, coupon offers, social media promotions, mailers and other advertising programs, Franchisor may deduct such amounts from amounts due to Franchisee.

## **10. Accounting.**

10.1. Recordkeeping. Franchisee shall maintain full, complete and accurate books, records and accounts of the sales and expenses of the Food Service Counter(s). Franchisee shall conform these records to any accounting system that Franchisor may prescribe in the Manuals or otherwise in writing. Franchisee shall retain all books and records relating to the Food Service Counter(s) for at least four years.

10.2. Reports. Franchisee shall provide Franchisor each week on or at other frequencies that Franchisor specifies from time to time, in the form approved by Franchisor, a report of sales for the week ending the prior day (Sunday). Franchisee shall provide Franchisor at frequencies that Franchisor requests, profit and loss statements and balance sheets for months, quarters and years, all as Franchisor specifies. These financial statements shall be certified to be true and correct by Franchisee. Franchisee shall provide Franchisor copies of all federal and state income tax returns and sales tax returns. Franchisee shall submit to Franchisor other periodic reports, forms and records as Franchisor requests from time to time.

10.3. Discrepancies. In any discrepancy between data as reported by Franchisee and as reported by the owner or lessee of the premises where the Food Service Counter is located, the data reported by the premises owner or lessee shall control. Franchisee shall notify Franchisor in writing within 30 days of

receipt of the statement from the store premises of any alleged discrepancy. Franchisee shall have no right to seek adjustments for any discrepancy after such 30 day period.

10.4. Audit. Franchisor or its designated agents shall have the right at reasonable times to examine and copy books, records and tax returns of Franchisee. Franchisor shall also have the right, at any time, to have an independent audit made of books and records of Franchisee at Franchisor's expense. If an inspection reveals a discrepancy or underreporting of sales of one percent (1%) or more for any period, then Franchisee shall take corrective action, including but not limited to paying Franchisor the amounts that would have been paid but for any underreporting, all as Franchisor specifies; and interest at the rate of 1% per month (12% per year) from the date the amount would have been due until paid; and Franchisee shall, in addition, reimburse Franchisor for all costs and expenses connected with the inspection. These remedies shall be in addition to any other remedies Franchisor may have.

## **11. Training, Quality and Performance Standards.**

11.1. Compliance with System/Reports. Franchisee shall comply with the Manuals and all other written policies provided to Franchisee by Franchisor. Franchisee shall not make any material changes to the operation or structure or facilities of the Food Service Counter(s) nor make any material replacement or alterations to equipment, fixtures, signs or decor without Franchisor's prior written consent. Franchisee shall submit to Franchisor such periodic reports, forms and records as Franchisor requests from time to time, including but not limited to, cleaning schedules, daily production reports, delivery logs, overnight rice cooling logs, pH logs, temperature logs and sushi cooling logs. Franchisee shall obtain and provide Franchisor an email address to which Franchisor may send written communications and sales reports to Franchisee.

11.2. Condition. Franchisee shall maintain the condition and appearance of the Food Service Counter(s) and all equipment consistent with Franchisor's standards. Franchisee shall maintain each Food Service Counter in a high level of cleanliness and first class appearance, including but not limited to, replacing worn or obsolete signs, fixtures, decor and equipment. Franchisee shall repair, at Franchisee's sole cost and expense, any equipment and/or worn or obsolete signs, fixtures and décor. If at any time in Franchisor's judgment the appearance of a Food Service Counter or equipment, fixtures, signs or decor does not meet Franchisor's standards, Franchisor shall have the right to notify Franchisee, specifying the corrective action to be taken by Franchisee. Franchisee shall correct the deficiency within 15 days after receipt of the notice, or such shorter period of time that Franchisor reasonably requests, provided that any deficiency that Franchisor believes could threaten public health or safety shall be corrected immediately.

11.3. No Other Purpose. Franchisee shall not conduct any business or activity from the location(s) of the Food Service Counter(s) other than the operation of the Food Service Counter according to the AFC System. All food items prepared at the Food Service Counter shall be sold at the Food Service Counter only and at no other location without the prior written consent of Franchisor. Under no circumstances are the premises of the Food Service Counter to be used for the preparation of food items to be sold other than on the premises, except Franchisee may prepare and deliver prepared foods to Self Service locations owned by Franchisee, if operated pursuant to an addendum to this Agreement.

11.4. Proprietary Products. Franchisor has developed and may continue to develop other proprietary food products, sauces and spices. To protect Franchisor's trade secrets and maintain quality control, Franchisor shall have the right to require Franchisee to purchase such proprietary items only from Franchisor or third parties that Franchisor designates.

11.5. Full Menu. Franchisee shall offer for sale and sell at the Food Service Counter(s) all food items that Franchisor authorizes from time to time; and shall not offer for sale or sell at the Food Service

Counter(s) any other category of products. Franchisee shall have the right to offer additional prepared food items from time to time on a special or market test basis, provided that Franchisee shall notify Franchisor in writing at least 30 days in advance and shall comply with any request by Franchisor to refrain from offering any one or more such items.

11.6. New Products. From time to time, Franchisor may introduce new products, or reintroduce previously introduced new products. Franchisee shall purchase, maintain and display reasonable inventories of such new products for at least 120 days. Franchisor may require Franchisee to again purchase, maintain and display the products regardless of prior compliance with this section 11.6. Franchisee shall not introduce, offer or sell any new items that have not been approved by franchisor in writing.

11.7. Samples. Franchisee shall comply with sampling policies that Franchisor establishes from time to time. These may include requirements to provide free samples to customers and potential customers.

11.8. Preparation. To ensure that all items produced by Franchisee meet Franchisor's standards, and to protect Franchisor's goodwill and Marks, all food products shall be prepared only by properly trained personnel according to Franchisor's recipes, preparation techniques and processes as designated in the Manuals, and shall be sold only at retail to customers in conformity with Franchisor's marketing plan and concept.

11.9. Proposed Suppliers. If Franchisee proposes to offer at the Food Service Counter(s) any brand of product, or to use any item not then approved by Franchisor or to purchase from a supplier not then designated by Franchisor as an approved supplier, Franchisee shall first notify Franchisor and on Franchisor's request, submit samples and other information that Franchisor requires for examination and/or testing or to otherwise determine if the product, or proposed supplier meets Franchisor's specifications and quality standards. Franchisee shall pay Franchisor a reasonable charge for the cost of inspection and evaluation, including a reasonable amount for Franchisor's costs of personnel to conduct the inspection and evaluation. Franchisor reserves the right to re-inspect facilities and products of any supplier and to revoke approval of any item that does not continue to meet Franchisor's standards. Franchisor reserves the right to approve any and all supplies, suppliers, brands and other products and services, whether currently approved or submitted for approval.

11.10. Suppliers. From time to time, Franchisor may provide Franchisee a list of approved products, brands, and/or suppliers for food products and other items necessary to operate the Food Service Counter(s), identifying manufacturers, brands, suppliers, and products and services that Franchisor has approved to be carried or used in the AFC System. Franchisor may revise the list from time to time. If Franchisee wishes to purchase a product or use a supplier not on the list, Franchisee shall submit Franchisee's request in writing to Franchisor before making any purchase and shall pay Franchisor's then current fees, costs and expenses to investigate the product or supplier. Franchisor is not under any obligation to approve the requested product or supplier and Franchisee shall comply with Franchisor's decision. Franchisor shall have the right to revoke any approval previously given.

11.11. Use of Approved Items. All goods and services used in operating the Food Service Counter(s) that are not specifically required to be purchased according to Franchisor's approved suppliers list, shall conform to specifications and standards that Franchisor establishes from time to time. Franchisee shall also comply with any source restrictions imposed by the facility owner to maintain quality control or an identifiable source for products in the event of product recalls.

11.12. Inventory. Franchisee shall always maintain an inventory of food and other products, materials and supplies to permit operation of the Food Service Counter(s) at maximum capacity.

11.13. Private Label. Franchisor may develop proprietary or private-labeled products for the Food Service Counter(s). To monitor the manufacture, packaging, processing and sale of these products Franchisor shall: (a) manufacture, supply and sell the proprietary or private labeled products to franchisees; and/or (b) disclose the designs or specifications of these products to a limited number of suppliers who Franchisor will authorize to make them to Franchisor's specifications and to sell them to franchisees. Franchisee acknowledges that Franchisee shall be required to purchase the proprietary or private labeled products from Franchisor, or from a limited number of suppliers designated by Franchisor.

11.14. Charges for Purchases. From time to time Franchisee may purchase food and other items from Franchisor or Franchisor's Affiliate. Franchisor shall have the right to charge, and Franchisee shall pay, freight, and other ancillary charges for such items, as well as Franchisor's and/or Franchisor's Affiliate's prices for such items. Franchisor shall have the right to deduct product purchases from payments owed to Franchisee.

11.15. Product Purchases.

(a) Franchisee shall reimburse Franchisor and/or Franchisor's Affiliate for product purchases from third party suppliers shipped to Franchisee on Franchisee's behalf.

(b) For Franchisee's convenience, Franchisor may ship routine shipments of products, including but not limited to, ingredients, product supplies and retail items, to Franchisee for use at the Food Service Counter(s). Franchisee may cancel such shipment(s) by providing Franchisor written notice of Franchisee's desire to do so at least one week prior to the scheduled delivery date.

11.16. Licenses. Franchisee shall obtain and maintain all required licenses, permits and certificates needed to operate the Food Service Counter(s) and provide copies of such licenses and permits to Franchisor. At Franchisor's election, Franchisor shall have the right, but no obligation, to obtain any required licenses and permits in Franchisee's name. Franchisee hereby grants Franchisor a power of attorney to apply for any required licenses, permits and any renewals of these for Franchisee's Food Service Counter(s). Franchisee shall reimburse Franchisor for any costs and fees incurred by Franchisor in applying for these licenses and/or permits on Franchisee's behalf. Franchisee shall operate the Food Service Counter(s) in full compliance with all applicable laws, ordinances and regulations, including but not limited to health, safety and sanitation laws.

11.17. Personal Involvement. Franchisee, or Franchisee's manager, or if Franchisee is an entity, Franchisee's principal owner (or such other person/manager), shall participate in day-to-day operation of the Food Service Counter(s), and shall directly supervise the operation of the Food Service Counter(s) and its employees. If Franchisee operates more than one location, then at least one trained employee with ServSafe Manager certification shall act as manager for those other locations. To assure Franchisor is aware of whom to contact in the event of Franchisee's absence, Franchisee shall provide to Franchisor a written list of every manager employed by Franchisee. Franchisee shall update and provide a revised manager list to Franchisor in writing within 24 hours of: (1) any new manager being hired; and/or (2) any manager leaving Franchisee's employment. Franchisee shall abide by lawful requests of the business owner or manager of the premises regarding any employee or prospective employee. Before start of employment, Franchisee shall train each manager and require each manager to sign a confidentiality and non-disclosure agreement in a form satisfactory to Franchisor requiring the manager to protect Franchisor's trade secrets and any other item Franchisor specifies in writing from time to time. Franchisee shall ensure each manager is trained before start of employment.

11.18. Uniforms. Franchisee shall purchase and Franchisee's employees shall at all times wear uniforms imprinted with the Marks and conforming to other specifications prescribed by Franchisor.

11.19. Computer and Software Requirements. Franchisee shall purchase a computer system meeting Franchisor's specifications with Internet connectivity capabilities to permit Franchisee to submit purchase orders online and to obtain information on new products, product specifications and other information Franchisor designates from time to time. Franchisee shall be solely responsible for the computer system, including maintaining and repairing it when necessary. Franchisor may require Franchisee to provide Franchisor independent access to the information generated or stored on Franchisee's computer system. Franchisee shall keep the computer system current. Franchisor may, in the future, develop or designate additional and/or alternate hardware and/or software for performing various functions for the Food Service Counter(s). Franchisee shall implement and use the hardware and software in operating the Food Service Counter(s) and comply with all standards prescribed by Franchisor regarding such hardware and software.

11.20. Tablet and Inventory Scanner. Franchisee shall purchase a tablet, inventory scanner and printer ("Tablet System") meeting Franchisor's specifications with Internet connectivity capabilities to permit Franchisee to print labels, track daily products made at the Food Service Counter(s) and conduct other functions prescribed by Franchisor. Franchisee shall be solely responsible for the Tablet System, including maintaining and repairing it when necessary. Franchisor may require Franchisee to upgrade and/or update the Tablet System and to provide Franchisor independent access to the information generated or stored on Franchisee's tablet, including inventory tracking logs. Franchisee shall keep the Tablet System current. Franchisor may, in the future, develop or designate computer application software for use with the Tablet System for performing various functions for the Food Service Counter(s). Franchisee shall purchase, implement and use the software in operating the Food Service Counter(s) and comply with all standards prescribed by Franchisor regarding the software, including upgrade and maintenance requirements.

11.21. Quality. Franchisee shall use only fresh ingredients and products of the highest quality, as determined by Franchisor in its reasonable discretion.

11.22. Operating Hours; Staffing. Franchisee or Franchisee's approved manager shall operate each Food Service Counter every day that the location where the Food Service Counter is located is open for business and subject to any additional requirements in any applicable Franchise Addendum attached to this Agreement. Franchisee shall ensure each Food Service Counter is adequately staffed and managed. In locations operated by a manager, Franchisee shall remain personally and actively involved in the Food Service Counter(s) operations and shall remain responsible for operating the Food Service Counter(s) and supervising employees. The personnel Franchisee retains to work at Franchisee's Food Service Counter(s) shall be Franchisee's agents and employees and Franchisor shall not be a joint employer of those persons. Franchisee alone shall determine who to retain, how many personnel to retain (subject to any minimum staffing requirements Franchisor may prescribe), compensation terms, employment terms and working conditions for Franchisee's personnel, and when and how to discipline or terminate the employment of Franchisee's personnel.

11.23. Store's Rules. Franchisee shall comply with the rules, policies and guidelines of the facility where the Food Service Counter(s) is/are located and sign any code of conduct or equivalent document required by the facility owner. If required by the facility owner, Franchisee shall obtain proof of employability for each prospective employee by completing the Department of Homeland Security's electronic employee verification system (E-Verify) before hiring.

11.24. Complaints. Franchisee shall promptly notify Franchisor in writing of any complaints from the owner(s) or manager(s) of the facility where any Food Service Counter is located, or from the public of problems relating to operation of the Food Service Counter or its products. Franchisee shall be primarily responsible to resolve and remedy all complaints to the satisfaction of the complaining person or entity.

11.25. Pricing. Franchisor may recommend resale prices or pricing schedules to Franchisee and may provide pricing labels conforming to these recommendations. Franchisee shall have the right to determine prices that Franchisee charges for products sold from the Food Service Counter(s). If Franchisee desires to charge a price or prices that differ from a price or price schedule recommended by Franchisor, then Franchisee shall pay or reimburse any additional reasonable costs that Franchisor incurs to prepare price labels containing the pricing determined by Franchisee. When allowed by law, Franchisor shall have the right to specify maximum and minimum prices for products sold at the Food Service Counter(s), and Franchisee shall abide by these specifications.

11.26 Initial Training. Franchisor shall provide Franchisee on one occasion, an initial training program in Franchisor's methods and techniques to prepare fresh sushi and/or other products and to operate a retail food service counter. If Franchisee is an entity, each of Franchisee's Principal Owners, shall be required to attend training. For this Section 11.26, the term "Principal Owner" shall mean any individual owning directly or indirectly thirty percent (30%) or more of Franchisee. The training program shall take place at Franchisor's headquarters, online or other location that Franchisor designates. The training program shall include classroom and on-the-job training and cover various aspects of the operation of a retail food service counter, with emphasis on techniques and examples used in the operation of food service counters bearing the Marks. Topics to be covered may include, but are not limited to legal compliance, sanitation, sushi and other food preparation and evaluation, steam table menu, cooking and evaluation (if applicable to the franchise), franchise management, including, basic accounting, operations, business insurance, inventory control, employee management, marketing, license and permitting requirements. Before starting operations, Franchisee and Franchisee's manager shall also take and pass the ServSafe Manager certification offered by Franchisor and the ServSafe Allergen Awareness Training provided online by ServSafe. Franchisor shall have the right to reduce the scope of any training provided, if Franchisor, in its sole discretion, determines that Franchisee already has experience in these subjects. Each person attending Franchisor's training program(s) shall pay Franchisor's then current fee for this training. Franchisee shall be solely responsible for all travel and living expenses incurred for Franchisee, Franchisee's Principal Owners and other staff Franchisee elects to send to the training program. If Franchisee or any owner of Franchisee attending the training fails to complete the training to Franchisor's satisfaction, Franchisor may cancel this Agreement in Franchisor's sole judgment on written notice to Franchisee. There shall be no refunds of any sums paid to Franchisor if Franchisor cancels this Agreement under this Section 11.26. Franchisor reserves the right to waive the training requirement in Franchisor's absolute discretion where Franchisor is satisfied that Franchisee or Franchisee's principals have sufficient skill, knowledge and experience with both the operational requirements and Franchisor's prescribed and preferred procedures. Franchisor may also exempt Franchisee from some or all training (at Franchisor's sole discretion) if Franchisee or any affiliate of Franchisee already owns or operates a Food Service Counter or the Franchise Agreement is executed as a Renewal Franchise Agreement (as defined in Section 13.1). Franchisee acknowledges that all training is provided to protect the AFC System and the Marks and not to control the day-to-day of Franchisee's operations.

11.27 Post Opening Training. For Franchisee's initial location only, Franchisor shall provide Franchisee up to 3 days training at Franchisee's location. Franchisor shall not charge a fee for this post opening training. If Franchisee asks, or Franchisor decides that additional post opening training is needed, Franchisor shall have the right to charge its then current fee per additional day of training provided.

11.28. Additional Training. From time to time Franchisor may require Franchisee or Franchisee's manager to attend and satisfactorily complete additional training programs at Franchisor's headquarters, online or other location designated by Franchisor. Franchisor shall have the right to charge Franchisee Franchisor's then current fee for each person for whom Franchisor provides any additional training, even if that training was required by Franchisor. Franchisee shall be solely responsible for all travel and living expenses incurred to attend any training programs. If Franchisee fails to attend any mandatory additional

training, Franchisor shall have the right to assess Franchisee a \$250 penalty for the failure to attend. Franchisee acknowledges that all training is provided to protect the AFC System and the Marks and not to control the day-to-day of Franchisee's operations.

11.29 Mailing, Reproduction Costs and Handling Costs. Franchisor may charge Franchisee a reproduction, service and handling charge for written materials provided to Franchisee, such as manuals and marketing materials up to \$100 per shipment.

11.30 Testing and Criminal Background Checks. Whenever requested by Franchisor or the facility owner where Franchisee is located, Franchisee shall require specified personnel (which may also include Franchisee), to undergo drug, tuberculosis and other chemical and disease testing and/or criminal background investigation. The foregoing obligations are subject to the condition that the request is lawful in the jurisdiction where the Franchisee and Franchisee's personnel are located. Franchisee shall pay all costs of the testing and investigation, complete all forms and consents, and take all other action needed to comply with such request. If Franchisee fails any required test or background check, Franchisor may cancel this Agreement on written notice to Franchisee. There shall be no refunds of any sums paid to Franchisor if Franchisor cancels this Agreement under this Section 11.30.

11.31 Operational Communications. Franchisee agrees to receive notices and other communications from Franchisor on operations, recalls and other emergency communications via all available means, including, but not limited to, telephone calls, text messages, emails, instant messaging and other then current modes of communication.

11.32 Franchisee's Demeanor. Franchisee shall at all times act professionally and respectfully in dealing with customers, clients, the facility's personnel and Franchisor's employees.

## **12. Risk Management.**

12.1. Insurance. Franchisee shall obtain and maintain in effect all the following insurance coverage through insurance companies satisfactory to Franchisor for each location operated by Franchisee:

(a) Commercial General Liability coverage covering the premises and Franchisee's operations for bodily injury and property damage liability including contractual liability, personal injury and product liability coverage in amounts not less than \$1,000,000 per occurrence and \$2,000,000 aggregate;

(b) Worker's Compensation Insurance in statutory amounts as required in the state(s) where Franchisee's operations are conducted, including a Voluntary Worker's Compensation endorsement extending coverage to all employees exempted from coverage due to numerical employment requirements of the state;

(c) Employer's Liability Insurance with limits of \$1,000,000 per occurrence;

(d) Unemployment Insurance covering Franchisee's employees;

(e) Property Insurance in an amount adequate to replace contents in the event of an insured loss;

(f) Business Income Insurance with limits adequate to insure profits and continuing business expenses for one year;

(g) State disability insurance for Franchisee's employees (as required by law); and

(h) Automobile liability insurance including coverage for autos owned, leased, hired or borrowed by Franchisee or Franchisee's owners, with limits of at least five hundred thousand dollars (\$500,000) per occurrence of bodily injury and property damage combined, and any other or increased amounts of insurance that Franchisor may require from time to time for each vehicle used by Franchisee (whether principally or occasionally) in connection with the franchised business (for example, to drive to the franchised location(s), to deliver products to self service locations, or otherwise).

These coverages shall name Franchisor, Franchisor's parent and the facility owner where Franchisee operates as additional insureds (using such endorsements and endorsement forms approved by Franchisor); the additional insured must be primary and non-contributory; and the coverages must provide that Franchisor is entitled to receive at least 30 days prior written notice of any intent to reduce coverage or policy limits, cancel or otherwise amend the policy.

12.2. Changes. Franchisor shall have the right from time to time to establish and revise the minimum coverages, coverage amounts and required policy terms that Franchisee is required to obtain and maintain. Promptly after delivery of written notice to Franchisee of any revisions, Franchisee shall obtain and thereafter maintain insurance conforming to the revised requirements.

12.3. Proof. Franchisee shall provide Franchisor within 30 days of the date of this Agreement, certificates of insurance proving the coverages required above as well as a copy of Franchisee's insurance declaration pages with all endorsements. Franchisee shall deliver a complete copy of Franchisee's then prevailing insurance policies within 30 days after delivery of the certificates of insurance. Immediately on renewal or the purchase of replacement insurance, Franchisee shall deliver to Franchisor a certificate of insurance and declaration pages for the new or renewal policy.

12.4. Failure to Maintain. If Franchisee fails to purchase and maintain insurance required by Section 12.1 then Franchisor will have the right, but no obligation, to obtain that insurance through agents and insurers Franchisor chooses, or other insurance that Franchisor is able to obtain for such purpose. Franchisee shall, at Franchisor's election, pay all premiums for such insurance or reimburse premium payments made by Franchisor. Franchisor will also have the right to offset the amounts of those premiums against any amounts due from Franchisor to Franchisee. Franchisee hereby grants Franchisor a power of attorney to obtain any required insurance and any renewals thereof on Franchisee's behalf.

12.5. Insurance Disclaimer. Franchisor has no obligation to obtain or maintain any insurance for or on behalf of Franchisee.

12.6. Indemnity. Franchisee shall defend, indemnify and hold harmless Franchisor, Franchisor's affiliated entities, and the owner(s) and lessee(s) of the location(s) where the Food Service Counter(s) is/are located, and each of their respective members, shareholders, managers, partners, directors, officers, employees, agents, and representatives and other personnel (collectively "Indemnified Parties") from all losses, costs and expenses incurred in connection with any claim, action, suit or other proceeding or government demand (including any state and/or federal agency imposed charges, fines, penalties and taxes), based on actual or alleged acts or omissions of Franchisee, Franchisee's personnel, or others, arising from or related to the operation of the Food Service Counter(s). Franchisee shall also defend, indemnify and hold harmless the Indemnified Parties from any liability or claims by Franchisee's employees against the Indemnified Parties for wage and hour and/or other labor and employment law violations arising from such employees' employment or work at the Food Service Counter(s).

12.7. Disclaimers. The parties acknowledge that this Agreement pertains to establishing and operating food service counter(s) where Franchisee will make prepared food products for sale to the public; and is not a vending machine, rack, display case or amusement machine business.

### **13. Renewal.**

13.1. Renewal. If Franchisee fully complied with all conditions to renewal in Sections 13.2 through 13.3, and if this Agreement has not previously terminated, then Franchisee shall have the right, but no obligation, on expiration of this Agreement, to enter into a renewal Franchise Agreement (the “Renewal Agreement”) for one consecutive term of five years (the “Renewal Term”). Each of the conditions stated in Sections 13.2 through 13.3 shall be conditions precedent to Franchisee’s right to enter into a Renewal Agreement.

13.2. Conditions to Renewal. As conditions to the right to enter into a Renewal Agreement, Franchisee shall have (a) complied with all provisions of this Agreement and any applicable Addendum during its entire term, including the time when Franchisee gives notice of intent to renew; (b) the ability to maintain possession of all Food Service Counter locations operated by Franchisee under this Agreement; (c) brought the Food Service Counter(s) into full compliance with the specifications and standards then applicable for new or renewing Zenshi/AFC/Wild Blue/Zenshi Food Service Counters; (d) given written notice of renewal to Franchisor as provided in Section 13.3; (e) signed Franchisor’s then-current form of Franchise Agreement and applicable addendum(s) at least 30 days before the expiration date (with appropriate modifications to reflect the fact that the Franchise Agreement relates to the grant of a renewal franchise), and that agreement shall supersede this Agreement. The terms of that Agreement may differ materially from the terms in this Agreement including, without limitation, different payment amounts or arrangements; (f) complied with Franchisor’s then-current qualifications and training requirements; and (g) paid a non-refundable renewal fee which shall equal Franchisor’s then current initial franchise fee charged by Franchisor to new franchisees for each location to be renewed. Franchisee’s failure to provide the notice in Section 13.3 or otherwise comply with each obligation under this Section 13.2 by the applicable deadline shall be deemed Franchisee’s desire not to renew this Agreement.

13.3. Notice. If Franchisee desires to enter into a Renewal Agreement, then before expiration of this Agreement, Franchisee shall give Franchisor written notice of its desire at least 180 days but not more than 360 days prior to the expiration of the initial term of this Agreement. Renewal shall also be conditioned on Franchisee’s compliance with this Agreement through termination of the initial term and Franchisee retaining all Food Service Counter locations operated by Franchisee under this Agreement.

13.4 Month-to-Month. If Franchisee does not sign Franchisor’s then-current Franchise Agreement prior to the expiration date and Franchisee continues to accept the benefits of this Agreement after it expires, then at Franchisor’s option, this Agreement may be treated either as (i) expired as of the expiration date with Franchisee then operating without a license to do so and in violation of Franchisor’s rights; or (ii) continued on a month-to-month basis (“Month-to-Month Agreement”) until one party provides the other with written notice of such party’s intent to terminate the Month-to-Month Agreement, in which case the Month-to-Month Agreement will terminate thirty (30) days after receipt of the notice to terminate the Month-to-Month Agreement, or such longer notice period as is required by Applicable Law. In the latter case, all of Franchisee’s obligations shall remain in full force and effect during the Month-to-Month Agreement as if this Agreement had not expired, and all obligations and restrictions imposed on Franchisee upon expiration of this Agreement shall be deemed to take effect upon termination of the Month-to-Month Agreement.

### **14. Transfer Restrictions.**

14.1. Assignment by Franchisor. Franchisor shall have the right to transfer or assign any or all rights and obligations under this Agreement in whole or in part, on one or more occasions, to any person, corporation or other entity.

14.2. Assignment by Franchisee. Franchisee acknowledges that Franchisor entered into this Agreement and each Franchise Addendum in reliance on characteristics personal to Franchisee, Franchisee's principal owners and officers, and personal to the entity constituting Franchisee. Therefore, Franchisee shall have no right or power to, and shall not purport to sell, transfer, assign, sublicense, give, mortgage, pledge or encumber any interest in this Agreement, in any Franchise Addendum, in the business contemplated by this Agreement, or if Franchisee is an entity, a majority of the shares of stock or ownership interests in that entity (collectively, "Transfer"), without the prior written consent of Franchisor. Franchisor shall have the right to withhold consent to any sale or transfer proposed to be entered into within 2 years of the date of the applicable addendum for the location proposed to be sold or transferred. Franchisor shall also have the right to withhold approval to any proposed sale or transfer, at Franchisor's discretion, if such sale or transfer involves the sale/transfer of some but not all of Franchisee's locations operated under this Agreement.

14.3. Entity Documents. If Franchisee or any assignee of Franchisee is an entity, then Franchisee and the assignee shall provide Franchisor a copy of its charter documents (operating agreement, regulations, articles of incorporation; partnership agreement, bylaws; and other governing documents designated by Franchisor), list of owners including the ownership interest of each, managers, directors and officers, all amendments to these documents, and all other information about the organization, structure and personnel that Franchisor requests from time to time. Franchisee shall promptly notify Franchisor in writing of any change in any information provided under this Section 14.3.

14.4 Notice of Restrictions. Franchisee shall place on the face of each certificate, agreement and other instrument evidencing ownership of the entity constituting Franchisee, the following statement in conspicuous typeface:

The transfer of the interest in [name of Franchisee] evidenced by this certificate [or instrument] is subject to the terms of a Franchise Agreement with Advanced Fresh Concepts Franchise Corp. dated [state date of this Agreement]. Any purported transfer made without complying with those terms is void and of no effect.

14.5 Transfer to Entity. Franchisor will not unreasonably withhold consent to a written request by Franchisee to transfer/assign Franchisee's interest in this Agreement to a corporation, limited liability company or equivalent entity, provided that Franchisee satisfies all the following conditions precedent: (a) the entity is newly organized and its activities will be limited to acting as an AFC franchisee; (b) the entity's name shall not include the words "Zenshi," "AFC," "Advanced Fresh Concepts," "Wild Blue," "Zenshi," "Southern Tsunami," "Hybrid Sushi" or any variant, or words confusingly similar thereto without Franchisor's prior written consent; (c) Franchisee shall be the sole owner of at least 51% of the ownership of the entity and any remaining ownership is owned only by Franchisee's spouse or children; (d) if Franchisee is two or more individuals, then each owns the same percentage of the entity as his or her interest in the business prior to the transfer/assignment; (e) the entity's articles of incorporation, articles of organization and bylaws state that the issuance and transfer of any interest in the entity are restricted by this Agreement; (f) all the entity's ownership certificates provide the notice stated in Section 14.4; and (g) Franchisee pays Franchisor's then current transfer to entity fee. A transfer/assignment made pursuant to this Section 14.5 shall not be subject to Franchisor's rights of first refusal in Section 14.6 of this Agreement.

14.6. Right of First Refusal. Franchisor shall have a right of first refusal itself to accept the terms of any sale, transfer or assignment of any interest in any Food Service Counter operated by Franchisee, this Agreement or in Franchisee, offered by Franchisee or offered to and proposed to be accepted by Franchisee, whether voluntarily, by operation of law or otherwise. If Franchisor exercises the right of first refusal, then Franchisor will also have the right but no obligation to substitute cash for any form of payment proposed in the offer; and will have 60 days after notifying Franchisee of its election to exercise the right of first refusal to prepare for closing. If a proposed transaction would involve more than 20% of the stock or other

ownership interest of Franchisee then Franchisor will also have the right, but no obligation, to purchase not only the interest involved but also all the remaining interests, to acquire up to 100% of the interest in Franchisee, at a price proportionate to the price of the interests initially involved. If Franchisor exercises the right of first refusal, then at Franchisor's request, Franchisee shall also take all action necessary to cause the lease for the location(s) affected, and any other agreements designated by Franchisor, to be assigned to Franchisor.

14.7. Exercise of First Refusal. To provide Franchisor the opportunity to exercise the right of first refusal, Franchisee shall deliver to Franchisor a written notice stating all the terms of any proposed sale, transfer or assignment covered by the right of first refusal and shall provide any additional information that Franchisor requests about the proposed transaction. Franchisee shall require its owners to provide Franchisee sufficient information to enable Franchisee to comply with this obligation with regard to a transaction proposed by any of the owners of Franchisee. Within 45 days after Franchisor receives the notice and the additional information requested by Franchisor, Franchisor will notify Franchisee whether Franchisor accepts for itself or its nominee the terms in the notice.

14.8. Waiver. If Franchisor elects not to exercise the right of first refusal and consents to the proposed sale, assignment or transfer, then Franchisee will be authorized to complete the proposed transaction with the proposed assignee on the terms in the original notice to Franchisor. Any change to the terms constitutes a new proposal which again requires compliance with the procedures in Sections 14.6 through 14.7 (and this Section 14.8, if applicable). Franchisor's election not to exercise the right of first refusal for any proposed transaction does not affect Franchisor's right of first refusal for any other transaction and does not constitute approval of the proposed transferee or assignee or of the transaction. Franchisee and any proposed transferee or assignee shall comply with all provisions in this Agreement relating to transfer and assignment.

14.9. Sale To Third Party. If Franchisor elects not to exercise the right of first refusal, then Franchisor's consent to a proposed sale, transfer and/or assignment by Franchisee shall not be unreasonably withheld. It shall be deemed to be reasonable for Franchisor to require, as conditions precedent to consenting to the proposed sale, transfer and/or assignment, among other requirements, that (a) Franchisee first comply with the right of first refusal provisions in Sections 14.6 through 14.7; (b) the proposed transferee/assignee apply to Franchisor to become a franchisee; provide information that Franchisor requests to assess the proposed transferee's/assignee's skills, qualifications, integrity, honesty and resources (financial and otherwise) sufficient in Franchisor's judgment to operate the Food Service Counter(s) in a manner that Franchisor expects to be satisfactory; (c) the proposed transferee/assignee cooperates in arranging one or more personal interviews at times and places designated by Franchisor; (d) consent is obtained, of the owner(s) of the location(s) where the Food Service Counter(s) is/are located if such owner(s) has/have the right to consent pursuant to an agreement with such owner; (e) the proposed transferee/assignee attends and successfully completes Franchisor's initial training program and any other training Franchisor requires, all at the proposed transferee's/assignee's expense; (f) at Franchisor's option, the proposed transferee/assignee, either: (i) signs Franchisor's then current form of Franchise Agreement, modified to delete any initial fee, and to expire on the expiration date of this Agreement or (ii) signs Franchisor's then current form of Franchise Agreement for a full term and pays Franchisor's then current initial franchise fee; (g) Franchisee pays all moneys owed to Franchisor and to any affiliated entities of Franchisor and in addition pays Franchisor a transfer fee of \$1,500 for each location to be transferred; (h) Franchisee and the principal owners of Franchisee execute a general release in a form satisfactory to Franchisor of all claims against Franchisor, its owners, directors, officers, members, managers and employees; (i) Franchisee agrees not to retain any security interest in any assets of the franchise or business following the transfer; (j) that the terms of the sale and/or assignment not be unduly burdensome to the transferee/assignee in Franchisor's judgment; and (k) that the sale, transfer and/or assignment close within 90 days of Franchisor's election not to exercise the right of first refusal.

14.10. Transfer On Death or Incapacity. If Franchisee is an individual who dies, or becomes permanently incapacitated, then Franchisor shall allow the deceased's surviving spouse, heirs, or estate or the incapacitated person's legal representative, the opportunity to participate in ownership of Franchisee during 180 days after the death or incapacity, provided that during that time the surviving spouse, heirs or estate or legal representative (a) maintains all standards of the franchise, performs all obligations of Franchisee and satisfies all then current qualifications for a purchaser of a franchise or, (b) in accordance with the requirements of Sections 14.2 and 14.6 through 14.9 sells that person's ownership interest in Franchisee and the Food Service Counter(s) to a person who satisfies Franchisor's then current standards for new franchisees.

14.11. Death or Incapacity of Individual Affiliated with Entity. If Franchisee is an entity, then the death or incapacity of a shareholder, owner, director, manager, officer or partner of Franchisee shall not constitute an assignment or transfer of this Agreement under Section 14.2, provided that during 180 days after the death or incapacity the surviving spouse, heirs or estate or the incapacitated person's legal representative (a) maintains all standards of the franchise, performs all obligations of Franchisee and satisfies all then current qualifications for a purchaser of a franchise or, (b) in accordance with the requirements of Sections 14.2 and 14.6 through 14.9 sells that person's ownership interest in Franchisee and the Food Service Counter(s) to a person who satisfies Franchisor's then current standards for new franchisees.

14.12. Operation by Franchisor. From the date of death or incapacity until satisfied that a qualified and trained individual assumed full-time operational supervision of the Food Service Counter(s), Franchisor shall have the right, but no obligation, to enter and operate the Food Service Counter(s). Any decision by Franchisor to do so shall be deemed to be an accommodation to assist Franchisee. Franchisor makes no representation or warranty regarding its ability to operate the Food Service Counter(s) profitably, and Franchisor shall not be responsible for results of operation. Franchisee shall reimburse all Franchisor's expenses incurred to operate the Food Service Counter(s) pursuant to this Section 14.12, including but not limited to travel, lodging, meals, and personnel compensation; and shall pay Franchisor, in addition to all other amounts provided for in this Agreement, a management fee of up to \$450 per day per person Franchisor sends for the period of operation by Franchisor. Franchisor shall have the right to increase this daily rate effective on delivery of written notice to Franchisee. Franchisor shall have the right to cause itself to be paid and reimbursed any or all these amounts from revenues of the Food Service Counter(s), as well as all other amounts required to be paid under this Agreement.

14.13. Operation for Cause. If Franchisor determines that operation of the Food Service Counter(s) may be in jeopardy or if a default occurs, then in addition to all Franchisor's other rights and remedies, Franchisor shall have the right to operate the Food Service Counter(s) in the manner and on the terms provided in Section 14.12, for as long as Franchisor believes necessary or practical.

## **15. Default and Termination.**

15.1. Immediate Termination Without Opportunity to Cure. Franchisee shall be deemed to be in default and Franchisor shall have the right to terminate this Agreement and/or any applicable addendum, without allowing Franchisee any opportunity to cure the default, effective immediately on delivery to Franchisee of written notice of termination, on the occurrence of any of the following events:

A. Franchisee is adjudicated bankrupt or insolvent or any substantial part of Franchisee's assets is assigned to or for the benefit of any creditor, or a petition in bankruptcy is filed by or against Franchisee and not immediately contested and dismissed within 60 days after filing, or a bill in equity or other proceeding for appointment of a receiver or other custodian of Franchisee or any assets of Franchisee is filed and consented to by Franchisee, or a court appoints a receiver or other temporary or

permanent custodian of all or part of Franchisee's assets, or proceedings for a composition or arrangement with creditors under any federal or state law are instituted by or against Franchisee;

B. Franchisee is voluntarily or involuntarily dissolved;

C. Execution is levied against Franchisee or any real or personal property of Franchisee is sold after levy by a government body or official.

D. Franchisee stops operating or abandons the franchise by failing to operate at any Food Service Counter for three (3) consecutive days when Franchisee is required to operate, or any shorter period of time in which it is reasonable in the circumstances for Franchisor to conclude that Franchisee does not intend to continue to operate the Food Service Counter(s).

E. Any material complaint or subjective dissatisfaction expressed by the owner(s) or managers of the facility where any Food Service Counter operated by Franchisee is located, regardless of the reason for such complaint or subjective dissatisfaction; or the owner(s) or managers of the facility object for any reason to the continued operation of the Food Service Counter at the facility.

F. Franchisee (or, if Franchisee is an entity, any owner, member, partner, director, manager or officer of Franchisee) is convicted of or pleads no contest to a felony, fraud, crime involving moral turpitude, or other crime or offense which Franchisor reasonably believes is related to Franchisee's operation of the Food Service Counter(s) or is likely to have an adverse effect on the AFC System, the Marks or the goodwill associated with the Marks.

G. Franchisor determines that a threat or danger to public health or safety may result from Franchisee's continued operation of any Food Service Counter and/or Franchisee fails to cure any health and safety violation within 24 hours after notice of the violation.

H. Franchisee engages in any unlawful act, form of harassment or discrimination.

I. Franchisee (or, if Franchisee is an entity, any owner, member, partner, director, manager, or officer of Franchisee) purports to transfer any rights or obligations under this Agreement or any interest in Franchisee or any Food Service Counter operated by Franchisee, or any security interest, to any third party in violation of any terms or without satisfying any of the conditions within Sections 14.2 through 14.11.

J. There occurs any breach of any of the covenants in Sections 5.3, 6.1 through 6.4 or 14.2 through 14.11.

K. Franchisee makes any material misrepresentations relating to the acquisition of the franchise or engages in conduct which reflects materially and unfavorably on the operation and reputation of the franchise or franchise system.

L. Franchisor discovers that Franchisee knowingly or with reckless disregard maintained false books or records, or submitted a false report to Franchisor; intentionally concealed revenues; attempted to defraud Franchisor; misdirected or appropriated for Franchisee's own use any funds withheld from wages of employees; failed to properly withhold taxes, FICA, insurance or other benefits from employee wages; appropriated for Franchisee's own use any funds or other property of Franchisor; or knowingly permitted or, having discovered the facts, failed to take action against or discharge any employee who embezzled funds or other property of any customer of Franchisor, or anyone else.

M. Franchisee interferes or attempts to interfere with Franchisor's contractual relations with any third party, including but not limited to other franchisees, or interferes or attempts to interfere with Franchisor's ability or right to grant franchises or licenses to others to use the Marks or AFC System.

N. Franchisee repeatedly fails to comply with one or more provisions of this Agreement, whether or not cured after notice.

O. Franchisee fails to cure any default under this Agreement that materially impairs the goodwill associated with the Marks within 48 hours after delivery of written notice to cure;

P. Franchisee fails to satisfactorily complete initial training in Franchisor's sole judgment or to pass any required criminal background check and/or drug, tuberculosis or other chemical and disease testing;

Q. Any act of dishonesty or moral turpitude, either in Franchisee's operations, or in dealings with the facility owner where Franchisee's Food Service Counter(s) is/are located or in Franchisee's interactions with Franchisor.

15.2. Termination After Notice and Opportunity to Cure. Except as stated in Section 15.1, Franchisee shall have 15 calendar days after delivery by Franchisor of written notice to cure the breach or default under this Agreement and/or any applicable addendum, or if it cannot be cured in that time, to take within that time, and continue, all available steps to cure and to provide proof of those steps to Franchisor. Failure to cure in this time, or within this time to take and continue all available steps to cure, shall at Franchisor's election, result in termination of this Agreement and/or the applicable Franchise Addendum, effective on expiration of the period allowed for cure as specified in the notice of default. However, if applicable law requires Franchisor to allow a larger period of time, then Franchisee shall have the period of time required by law to cure the breach or default.

15.3 Cross Default. Franchisee's breach of one agreement/addendum with Franchisor shall, at Franchisor's election also constitute a breach of every other agreement/addendum between Franchisee and Franchisor. A breach by franchisee of this Agreement shall also constitute, at Franchisor's election, a breach of all other agreements/addendums between Franchisee and Franchisor. Franchisor's election to enforce or not enforce this provision shall not constitute a waiver of any of Franchisor's rights or remedies against Franchisee hereunder.

15.4 Acts of Others. Franchisee shall be responsible for all acts and/or omissions of Franchisee's employees, managers, independent contractors and family members, regardless of whether Franchisee had actual notice of such actions/omissions.

15.5. Notice Required By Law. If any applicable law or regulation limits Franchisor's right to terminate this Agreement or requires greater notice or time to cure than stated in this Agreement, then Franchisor may allow additional time to conform to the minimum notice or cure period or restriction on termination required by that law or regulation. This Section 15.5 does not waive any right of Franchisor to challenge the validity or application of such law or regulation.

15.6. Effects of Termination or Expiration. On termination or expiration of this Agreement without renewal, Franchisee shall do all of the following:

A. Immediately pay all amounts due and owing to Franchisor and all sums due and owing to any third party relating to the operation of each of Franchisee's Food Service Counter(s);

B. Immediately stop using the Marks, and permanently refrain from doing business using any name or in any way that could tend to give the public the impression that Franchisee is or previously was operating a Food Service Counter associated with Franchisor; and refrain from using, in any manner, or for any purpose, any confidential information or trade secrets of Franchisor;

C. Immediately take all action needed to cancel any assumed name or equivalent registration pertaining to the Food Service Counter(s);

D. Revise all websites and social media pages controlled by Franchisee to remove references to the Food Service Counter(s) and Franchisor's Marks and System; and at Franchisor's request, assign to Franchisor all Internet domain names and social media accounts owned by Franchisee relating to the Food Service Counter(s).

E. Pay Franchisor all expenses incurred by Franchisor as a result of any breach or default by Franchisee, including, but not limited to, expenses Franchisor incurs on account of travel, lodging, meals, personnel compensation and operational costs;

F. At Franchisor's request, assign to Franchisor all of Franchisee's possessory interest in the Food Service Counter(s) operated by Franchisee; vacate the premises and provide all necessary assistance to enable Franchisor to take possession thereof;

G. Immediately return to or, as applicable, deliver to Franchisor the Manuals, all customer lists, all promotion material, all materials, signs and related items bearing the Marks; all forms and other materials or property of Franchisor, and any copies of these, in Franchisee's possession or control. Franchisee shall also return to the facility owner, all property of the facility owner including, but not limited to, the facility owner's manuals, equipment, assets and any other items owned by the facility owner in Franchisee's possession;

H. Assign to Franchisor or its designee, all right, title and interest in and to the phone numbers of the Food Service Counter(s), notify the phone company and all listing agencies that Franchisee's right to use the phone numbers ended, and authorize the transfer of the phone numbers to Franchisor or its designee;

I. Cooperate with Franchisor in providing records of the Food Service Counter(s) and disclosing all other pertinent information;

J. Sign all documents which Franchisor may reasonably require to evidence and further accomplish termination of this Agreement and of Franchisee's rights to use the Marks and AFC System; and

K. Refrain from destroying, damaging, hiding or taking any equipment or inventory from the Food Service Counter(s) without Franchisor's written consent.

**15.7 Option to Purchase.** On termination or expiration of this Agreement, Franchisor shall have the option (but not the obligation), exercisable by delivering notice to Franchisee during the thirty (30) days following termination or expiration, to purchase the Assets of the Food Service Counter(s). For this Section 15.7, "Assets" means equipment, supplies, signage and non-perishable inventory.

A. The purchase price for the Assets will be the fair market value as reasonably determined by Franchisor. Any amounts Franchisee owes to Franchisor or its affiliates shall be applied to reduce the purchase price.

B. The balance of the purchase price, after the deductions in Section 15.7(A), shall be payable by Franchisor to Franchisee, at the closing. The closing shall occur at a date stated by Franchisor in the notice to Franchisee of Franchisor's exercise of the purchase option. That date shall be no later than 30 days after delivery of the notice, provided that the date may be later as reasonably determined by Franchisor to allow time for compliance with bulk sales laws. At closing, the parties shall execute and deliver all documents necessary to vest title in the purchased assets in Franchisor, free and clear of liens and encumbrances. Franchisee shall provide Franchisor with all information necessary to close the transaction.

C. Franchisor shall also have the right (but not the obligation) to purchase non-expired approved perishable inventory at Franchisee's Food Service Counter(s) at the time of expiration or termination of this Agreement. The purchase price for the non-expired approved perishable inventory will be the product cost paid by franchisee to acquire these products from Franchisor or Franchisor's approved suppliers. Any amounts Franchisee owes to Franchisor or its affiliates shall be applied to reduce the purchase price.

15.8 Continuing Effect. All provisions which by their terms or nature survive expiration or termination of this Agreement shall continue in effect regardless of expiration or termination until fully performed or until they expire by their nature.

## 16. Additional Provisions.

16.1. Compliance With Law. Franchisee shall operate the Food Service Counter(s) in compliance with all applicable laws, rules and regulations of all government authorities, including but not limited to federal and state laws pertaining to wages, hours, working conditions, unlawful discrimination, employment verification, record keeping, workers compensation, leaves of absence, restrictions on employment of minors and other labor laws, social security and unemployment insurance contribution requirements, disability insurance, income tax and other withholdings, contributions, deposits and reporting as well as federal and state laws on operating a restaurant, health, safety and sanitation laws which also include health department inspections, menu and menu board labeling laws, food labeling laws, the Hazard Analysis and Critical Control Point ("HACCP") food safety program adopted by the U.S. Food & Drug Administration and rules on handling, preparing and serving foods by people with communicable or infectious diseases.

16.2. Interpretation. Headings and section numbers in this Agreement are for convenience only and are not part of this Agreement. References to the owner or lessee of the premises where a Food Service Counter is located also include the applicable operator with whom Franchisor has arrangements that permit the establishment of the franchise granted by this Agreement. The provisions of this Agreement shall be interpreted according to their fair meanings and not strictly for or against any party.

16.3. Entire Agreement. This Agreement is the entire agreement of the parties. All prior written agreements, discussions, negotiations, representations and understandings of the parties are merged into and superseded by this Agreement.

16.4. Amendment. No modification of this Agreement will be valid unless executed in writing and signed by both parties. This provision shall not restrict updates and revisions to the Manuals.

16.5. Relationship of the Parties. The parties shall be independent contractors and not partners, joint venturers, principal-agent, employer-employee, or other relationship with each other. Franchisee shall have no authority or power to and shall not purport to obligate Franchisor to any person or entity. In all public records, letterhead and on signage at the Food Service Counter, Franchisee shall indicate its independent ownership of the franchised business and that the Food Service Counter is independently owned and operated. Franchisee shall not interfere with or disrupt Franchisor's relationship with the owner(s) or

lessee(s) of the premises where the Food Service Counter(s) is/are located, and shall not communicate with such owner(s) or lessee(s) concerning the relationship with Franchisor or any other matter not involving regular day to day operations of the Food Service Counter(s), without first obtaining Franchisor's written consent. By way of example, and not limitation, Franchisee shall not communicate with the facility owner or its agents about pricing, menu changes, new concepts or other types of business opportunities involving the facility owner or otherwise. Franchisee shall never represent himself/ herself as an agent or employee of Advanced Fresh Concepts Franchise Corp. or Advanced Fresh Concepts Corp. Any complaint, petition and/or application that takes a position inconsistent with this Section, or other claim filed in violation of this Section shall be deemed a material breach of this Agreement.

16.6. No Waiver. Waiver of any breach or default on any occasion shall not constitute a waiver of any other or future breach or default.

16.7. Governing Law. This Agreement takes effect upon its acceptance and execution by Franchisor in California. This agreement shall be governed by and interpreted and construed according to the internal laws of California without regard for its principles of conflicts of law. However, (a) if a provision of this Agreement would not be enforceable under California law, and (b) if the Food Service Counter is located outside California; and (c) such provision would be enforceable under the laws of the state where the Food Service Counter is located; then such provision shall be interpreted and construed under the laws of the state where the Food Service Counter(s) is/are located. Where a California statute or rule of law provides that such statute or rule is inapplicable outside the state, for example, to a franchise located outside of California, or is inapplicable for another reason, such as an exemption, such law or rule shall not apply to Franchisee if located outside of California or if the circumstances of inapplicability apply. Nothing in this Section 16.7 is intended to subject this Agreement to any franchise or similar law, rule, or regulation of any state to which it would not otherwise be subject.

16.8. Arbitration

A. Scope Of Arbitration: Any dispute that arises out of or relates directly or indirectly to this Agreement, including, without limitation, any claimed breach of this Agreement or any claim that any part of this Agreement (including this Section 16.8 or any part thereof) is invalid, illegal, unenforceable, voidable or void, or the relationship of the parties hereto shall be resolved by arbitration in accordance with the Commercial Arbitration Rules of the American Arbitration Association (the "Rules" - available upon request and at [www.adr.org](http://www.adr.org)), except as provided for otherwise in paragraph I below. Sections 1281.4 and 1283.05 of the California Code of Civil Procedure are, by this reference, incorporated in and made a part of this Agreement and shall apply in connection with any arbitration under this Section 16.8. In the event the terms of this Agreement, (including Section 16.8), the Rules or any applicable arbitration statute differ or conflict with each other, the terms of this Agreement shall control over the Rules and the arbitration statute, and the Rules shall control over the arbitration statute. This arbitration provision shall be self-executing, and shall remain in effect after and regardless of expiration or termination of this Agreement.

B. Number Of Arbitrators: Should at any point the alleged damages exceed \$1,000,000 in total, exclusive of alleged interest, costs and/or attorney's fees, the dispute shall be heard and determined by a panel of three arbitrators. For all disputes, at least one arbitrator shall be a practicing attorney that specializes in franchise law.

C. Independent Arbitrations: The parties intend any dispute to be resolved as an independent arbitration, which is neither consolidated, classed, nor certified with any other claimant, arbitration or dispute. The parties waive all rights to resolving any dispute as consolidated, classed or certified with any other claimant, arbitration or dispute.

D. Location Of Arbitration: Arbitration shall occur in Los Angeles, California.

E. Discovery: After the appointment of the arbitrator(s), each side may commence discovery. Each side shall be limited to the following discovery: (a) no more than five (5) depositions of potential witnesses; (b) one set of written interrogatories; (c) one set of requests for production; and (d) one set of requests for admission. The aforementioned forms of written discovery shall not include more than 25 questions or requests within each set. The arbitrator(s) may permit requests for additional discovery for good cause. All objections are preserved for the arbitration hearing, except for objections based on privilege or proprietary/confidential information. All discovery shall be completed within eight months after the selection of the arbitrator(s), unless this period of time is shortened or extended by the arbitrator(s) for good cause or by stipulation of the parties.

F. Law And Motion: The arbitrator(s) shall set a briefing schedule, which sets a law and motion hearing date and the submission deadline for opposition and reply memoranda, no later than five days after the submission of any law and motion. The law and motion hearing date shall in no case be set more than 30 days after the original submission of any law and motion. Law and motion matters shall be decided, and a reasoned ruling issued as soon as practical, but in no case later than 15 business days after the scheduled law and motion hearing. Nothing in this subsection prevents any party from requesting ex parte relief as permitted by California law.

G. Pre-Award Costs of Arbitration: During the course of the arbitration proceeding, the costs of arbitration, including the fees and costs for the arbitrator(s) and for the alternative dispute center, and all transcript and similar court reporter charges incurred at a merits hearing (collectively the “Arbitration Costs”), shall be allocated equally between each side. Unless accommodated otherwise by the alternative dispute resolution center and/or the Rules, any party’s failure to pay its portion of the fees and costs for the arbitration within the due dates set by the alternative dispute center shall result in the immediate suspension of the arbitration. In the event a suspension for non-payment of arbitration fees and costs continues for 30 days, the alternative dispute resolution center shall either enter the default of the non-paying party or the arbitration shall be dismissed. At the conclusion of the arbitration proceeding, the arbitrator(s) shall award the prevailing party the prevailing party’s Arbitration Costs pursuant to Section 16.8(J).

H. Awards: All awards, including, without limitation, an interim or partial award, by the arbitrator(s) regarding the merits of the dispute shall be articulated in writing, signed by the arbitrator or a majority of the arbitrators (if applicable) and include a statement setting forth the reasons for the decision (a “reasoned award”) and shall be issued no later than 30 days after the merits hearing is closed as to any further evidence or briefs, notwithstanding post hearing motions, including, but not limited to, petitions for fees and bills of costs. All awards shall be based on established law and shall not be made on broad principles of justice and equity. An award may be appealed to a court of competent jurisdiction for any errors of law, errors of legal reasoning or determination of fact that are clearly erroneous. Judgment on the final award may be entered in any court with competent jurisdiction. Except as otherwise provided in Section 16.8, an award may be entered against any party that fails to appear, defend, advance, attend, participate in, prosecute or obtain a postponement after being afforded due notice of the arbitration.

I. Injunctive/Provisional Remedies: Nothing in Section 16.8 or elsewhere in this Agreement limits a party’s rights or remedies in connection with any action in any court of competent jurisdiction for injunctive or other provisional relief that a party deems necessary or appropriate to compel the other party to comply with the party’s obligations under this Agreement, to protect the trade secrets or other intellectual property of a party against disclosure, or to prevent any threatened conduct that may cause loss or damage to a party under rules of equity, pending completion of arbitration. The parties agree that any failure to immediately cease operation, vacate the location of the operation or cease the use of intellectual

property will cause irreparable injury and that money damages will not provide an adequate remedy. Both parties therefore consent to the issuance of an appropriate injunction.

J. Fees And Costs: The arbitrator(s) shall award to the prevailing party(ies), the prevailing party's fees and costs that were both incurred and relate directly to the claims allowing for an award of fees and costs. The arbitrator(s) shall consider the results of the entire arbitration and all claims filed, whether based in contract, statute or otherwise, in determining whether there is a prevailing party. The arbitrator(s) shall deny any motion/petition for fees that is not supported by a verified and detailed account of the time and expenses incurred. An award of fees and costs for all claims, including, without limitation, those based on a breach of this Agreement or for claims based on statute, may not exceed either: (a) in the event of a money award, one third the amount of compensatory damages awarded; or (b) in the event of a defense award, one third the greatest total amount claimed as damages at any point during the arbitration, including, without limitation, within any writing, testimony or argument. "Fees and costs" mean all reasonable pre-award expenses of the arbitration, including the prevailing party's Arbitration Costs (as defined in Section 16.8(G)), administrative fees, travel expenses, out of pocket expenses, such as copying and telephone, court costs, legal research costs, expert witness fees, and attorney's fees. Except as otherwise provided above, a court of competent jurisdiction shall award fees and costs to the party that prevails on either a motion/petition for injunctive relief, as provided for in paragraph I above, or on a motion/petition to compel arbitration pursuant to this Section 16.8.

K. Severability Of Section 16.8: Should any part of Section 16.8 be ruled invalid, illegal, unenforceable, voidable or void, then the remainder of Section 16.8 shall still remain in effect. Should any part of Section 16.8 conflict with any non-waivable or non-modifiable statutory rights, Section 16.8 shall be interpreted and applied to the extent possible without conflicting with statutory rights.

16.9. Relief. Franchisee acknowledges that the breach or threatened breach of any provision within Sections 5.3, 6.1 through 6.4, 14.2 through 14.11 or 15.6 (B) through 15.6(K) would cause irreparable harm to Franchisor for which there is no adequate remedy at law. Therefore Franchisor shall be entitled to preliminary and permanent injunctive relief to enjoin actual or threatened violation of any such provision.

16.10 Severability. If any provision of this Agreement is held to be invalid, the remaining provisions of this Agreement shall remain in effect. Should any provision of this Agreement be held to conflict with any statutory rights, such provision shall be interpreted and applied to the extent possible without conflicting with such statutory rights.

16.11. Notices. Except as otherwise stated in this Agreement, all notices which are required by this Agreement shall be deemed to be delivered 3 days after being placed in the U.S. Mail, certified mail, return receipt requested or priority mail with delivery receipt confirmation, or one day after being sent by United Parcel Service or other receipted overnight courier service if addressed to a party at the address stated in the introductory paragraph of this Agreement, or other address of which a party has given notice to the other, or immediately by hand delivery to a party. Franchisee shall provide Franchisor Franchisee's physical address for notice purposes under this Section and shall keep Franchisor updated of any changes thereto.

16.12. Force Majeure. A party shall not be liable for delay in performance of up to 30 days, other than performance of an obligation to pay money to the other party, if the delay is due to terrorism, war, riot, strike or other labor trouble, utility failure, storm, fire, flood, earthquake, hurricane, explosion, embargo, blockade, insurrection, act of God or other similar event that is beyond the control of the parties. In the event of such delay, the time for performance will be extended by a period of time equal to the cause of the delay, but no longer than 30 days.

16.13. Opportunity to Review. Franchisee acknowledges having had an opportunity to review Franchisor's Franchise Disclosure Document for at least 14 calendar days before signing any agreement with Franchisor or making any payment to Franchisor, to consult with an attorney and other professional advisors of Franchisee's choice, and Franchisee has made the decision whether or not to consult with such advisors.

Executed as of the date first stated above:

FRANCHISEE

FRANCHISOR

\_\_\_\_\_

ADVANCED FRESH CONCEPTS FRANCHISE CORP.

Signature \_\_\_\_\_

Signature \_\_\_\_\_

Printed Name \_\_\_\_\_

Printed Name \_\_\_\_\_

Title \_\_\_\_\_

Title \_\_\_\_\_

GUARANTY

In exchange for Franchisor's execution of this Agreement, the undersigned unconditionally, absolutely and irrevocably guaranties and promises to pay and perform any and all indebtedness and obligations of Franchisee (an entity and/or operation in which the undersigned has an ownership interest) to Franchisor under this Agreement and all other Franchise Documents. If more than one person signs below, the obligations of the undersigned shall be joint and several.

Signature: \_\_\_\_\_

Print Name: \_\_\_\_\_

Signature: \_\_\_\_\_

Print Name: \_\_\_\_\_

Signature: \_\_\_\_\_

Print Name: \_\_\_\_\_

**EXHIBIT D**

**FULL-TIME LOCATION FRANCHISE  
ADDENDUM**

**FULL-TIME LOCATION FRANCHISE ADDENDUM**

This Full-Time Location Franchise Addendum (this "Addendum") is made this \_\_\_\_ day of \_\_\_\_\_, 20\_\_ between Advanced Fresh Concepts Franchise Corp. ("Franchisor") and \_\_\_\_\_ ("Franchisee") with reference to the following facts:

**RECITALS**

Franchisor and Franchisee entered into a Franchise Agreement dated \_\_\_\_\_, 20\_\_ (the "Franchise Agreement"). By this Addendum, Franchisee and Franchisor want to designate a location to be operated by Franchisee pursuant to Section 1 of the Franchise Agreement. Accordingly, the parties have agreed as follows:

**A G R E E M E N T**

The following provisions shall be deemed to be added to and made part of the Franchise Agreement:

A. **Grant.** Franchisor grants Franchisee the right to establish and operate a full-time Food Service Counter (the "Food Service Counter") using the AFC System and the Marks applicable to the selected \_\_\_\_\_ location, at the following \_\_\_\_\_ location:

\_\_\_\_\_  
\_\_\_\_\_  
\_\_\_\_\_ (the "Location").

B. **Food Service Counter Type.** (check or circle one):

       Zenshi Counter

       AFC Food Service Counter

       Wild Blue Counter

       Zenshi Counter

C. **Initial Fee.** On signing this Addendum, Franchisee shall pay to Franchisor an initial fee of \$\_\_\_\_\_ in lump sum. The fee shall be deemed to be fully earned on signing and is nonrefundable.

D. **Term.** The term of this Addendum starts immediately and shall expire or terminate at the same time as the Franchise Agreement. Franchisee shall start operating the Food Service Counter not later than \_\_\_\_\_, 20\_\_, unless Franchisor consents in writing to extend the date.

E. **Initial Inventory.** Before Franchisee starts operation, Franchisor may elect to provide the Food Service Counter with equipment, initial supplies and inventory that Franchisor considers necessary to start operating, and Franchisee shall pay Franchisor's charges for these items.

F. **Payments to Franchisee.** Subject to Section 9.3 of the Franchise Agreement, Franchisor shall return to Franchisee \_\_\_\_ % of the Gross Sales of the Food Service Counter, as reported by and received from the owner of the facility where the Food Service Counter is located. Franchisor shall pay the amounts due to Franchisee, within 30 days after receiving the sales report and payment for the applicable

period from the facility owner.

G. Operating Hours; Staffing. The Food Service Counter shall be operated on a full-time basis each day that the location where the Food Service Counter is located is open for business. The Food Service Counter shall have sufficient amount of food prepared and placed in the display case by 11:00 a.m. each day. The Food Service Counter shall be staffed during key trading hours. Franchisor shall have the right to revise these requirements on written notice to Franchisee. Franchisee shall ensure the Food Service Counter is adequately staffed and that the display case is adequately stocked during business hours.

H. Termination.

H.1. Franchisor may elect to terminate this Addendum for any grounds permitted in Section 15 of the Franchise Agreement. The parties mutually acknowledge that any termination of this Addendum shall not by itself be a termination of the Franchise Agreement or any other addendum between Franchisee and Franchisor. On termination of this Addendum, Franchisee shall comply with all the post termination provisions of Section 15.6 of the Franchise Agreement as applicable to the Food Service Counter.

H.2 Franchisor shall have the right to elect whether or not to terminate this Addendum either together with, or separate from the rest of the Franchise Agreement or any other addendum between Franchisee and Franchisor, according to the provisions of Sections 15.1 through 15.5 of the Franchise Agreement.

H.3. On termination or expiration of this Addendum, Franchisor shall have the option (but not the obligation), exercisable by delivering notice to Franchisee during the thirty (30) days following termination or expiration, to purchase the Assets of the Food Service Counter. "Assets" means equipment, supplies, signage and non-perishable inventory.

H.4. The purchase price for the Assets will be the fair market value as reasonably determined by Franchisor. Any amounts Franchisee owes to Franchisor or its affiliates shall be applied to reduce the purchase price.

H.5. The balance of the purchase price, after the deductions in Section H.4, shall be payable by Franchisor to Franchisee, at the closing. The closing shall occur at a date stated by Franchisor in the notice to Franchisee of Franchisor's exercise of the purchase option. That date shall be no later than 30 days after delivery of the notice, provided that the date may be later as reasonably determined by Franchisor to allow time for compliance with bulk sales laws. At closing, the parties shall execute and deliver all documents necessary to vest title in the purchased assets in Franchisor, free and clear of liens and encumbrances. Franchisee shall provide Franchisor with all information necessary to close the transaction.

H.6. Franchisor shall also have the right (but not the obligation) to purchase non-expired approved perishable inventory at the Food Service Counter at the time of expiration or termination of this Addendum. The purchase price for the non-expired approved perishable inventory will be the product cost paid by franchisee to acquire these products from Franchisor or Franchisor's approved suppliers. Any amounts Franchisee owes to Franchisor or its affiliates shall be applied to reduce the purchase price.

I. Miscellaneous.

I.1. Franchisee shall, with regard to the Food Service Counter, perform all the obligations, comply with all the restrictions, and be subject to all the provisions in the Franchise Agreement.

I.2. Defined terms not defined in this Addendum shall have the meaning provided in the Franchise Agreement.

I.3. This Addendum shall be deemed to be part of, and shall be subject to all other terms and conditions in, the Franchise Agreement.

I.4. In any conflict between the Franchise Agreement and this Addendum, the provisions in this Addendum shall control.

Signed as of the date first written above.

FRANCHISEE

\_\_\_\_\_

Signature: \_\_\_\_\_

Print Name: \_\_\_\_\_

FRANCHISOR

ADVANCED FRESH CONCEPTS  
FRANCHISE CORP.

By: \_\_\_\_\_

Print Name: \_\_\_\_\_

GUARANTY

In exchange for Franchisor's execution of this Agreement, the undersigned unconditionally, absolutely and irrevocably guaranties and promises to pay and perform any and all indebtedness and obligations of Franchisee (an entity and/or operation in which the undersigned has an ownership interest) to Franchisor under this Addendum and all other Franchise Documents. If more than one person signs below, the obligations of the undersigned shall be joint and several.

Signature: \_\_\_\_\_

Print Name: \_\_\_\_\_

Signature: \_\_\_\_\_

Print Name: \_\_\_\_\_

**EXHIBIT E**

**PART-TIME LOCATION ADDENDUM**

**PART-TIME LOCATION FRANCHISE ADDENDUM**

This Part-Time Location Franchise Addendum (this "Addendum") is made this \_\_\_\_ day of \_\_\_\_\_, 20\_\_ between Advanced Fresh Concepts Franchise Corp. ("Franchisor") and \_\_\_\_\_ ("Franchisee") with reference to the following facts:

**RECITALS**

Franchisor and Franchisee entered into a Franchise Agreement dated \_\_\_\_\_, 20\_\_ (the "Franchise Agreement"). By this Addendum, Franchisee and Franchisor want to designate a location to be operated by Franchisee pursuant to Section 1 of the Franchise Agreement. Accordingly, the parties have agreed as follows:

**A G R E E M E N T**

The following provisions shall be deemed to be added to and made part of the Franchise Agreement:

A. **Grant.** Franchisor grants Franchisee the right to establish and operate a part-time Food Service Counter (the "Food Service Counter") using the AFC System and the Marks applicable to the selected \_\_\_\_\_ location, \_\_\_\_\_ at \_\_\_\_\_ the \_\_\_\_\_ following \_\_\_\_\_ location:

\_\_\_\_\_  
\_\_\_\_\_  
\_\_\_\_\_ (the "Location").

B. **Food Service Counter Type.** (check or circle one):

- Zenshi Counter
- AFC Food Service Counter
- Wild Blue Counter

~~Zenshi Counter~~

C. **Term.** The term of this Addendum starts immediately and shall expire or terminate at the same time as the Franchise Agreement. Franchisee shall start operating the Food Service Counter not later than \_\_\_\_\_, 20\_\_, unless Franchisor consents in writing to extend the date.

D. **Initial Inventory.** Before Franchisee starts operation, Franchisor may elect to provide the Food Service Counter with equipment, initial supplies and inventory that Franchisor considers necessary to start operating, and Franchisee shall pay Franchisor's charges for these items.

E. **Payments to Franchisee.** Subject to Section 9.3 of the Franchise Agreement, Franchisor shall return to Franchisee \_\_\_\_ % of the Gross Sales of the Food Service Counter, as reported by and received from the owner of the facility where the Food Service Counter is located. Franchisor shall pay the amounts due to Franchisee, within 30 days after receiving the sales report and payment for the applicable period from the facility owner.

F. **Operating Hours; Staffing.** The Food Service Counter shall be operated on a part-time basis each day that the location where the Food Service Counter is located is open for business. The Food Service Counter shall have sufficient amount of food prepared and placed in the Food Service Counter's display case

before trading hours each day. As a part-time location, the Food Service Counter shall not be required to have personnel physically present more than four hours per day. Franchisor shall have the right to revise these requirements on written notice to Franchisee. Franchisee shall ensure the Food Service Counter is adequately staffed and that the display case is adequately stocked during business hours.

G. Termination.

G.1. Franchisor may elect to terminate this Addendum for any grounds permitted in Section 15 of the Franchise Agreement. The parties mutually acknowledge that any termination of this Addendum shall not by itself be a termination of the Franchise Agreement or any other addendum between Franchisee and Franchisor. On termination of this Addendum, Franchisee shall comply with all the post termination provisions of Section 15.6 of the Franchise Agreement as applicable to the Food Service Counter.

G.2 Franchisor shall have the right to elect whether or not to terminate this Addendum either together with, or separate from the rest of the Franchise Agreement or any other addendum between Franchisee and Franchisor, according to the provisions of Sections 15.1 through 15.5 of the Franchise Agreement.

G.3. On termination or expiration of this Addendum, Franchisor shall have the option (but not the obligation), exercisable by delivering notice to Franchisee during the thirty (30) days following termination or expiration, to purchase the Assets of the Food Service Counter. "Assets" means equipment, supplies, signage and non-perishable inventory.

G.4. The purchase price for the Assets will be the fair market value as reasonably determined by Franchisor. Any amounts Franchisee owes to Franchisor or its affiliates shall be applied to reduce the purchase price.

G.5. The balance of the purchase price, after the deductions in Section G.4, shall be payable by Franchisor to Franchisee, at the closing. The closing shall occur at a date stated by Franchisor in the notice to Franchisee of Franchisor's exercise of the purchase option. That date shall be no later than 30 days after delivery of the notice, provided that the date may be later as reasonably determined by Franchisor to allow time for compliance with bulk sales laws. At closing, the parties shall execute and deliver all documents necessary to vest title in the purchased assets in Franchisor, free and clear of liens and encumbrances. Franchisee shall provide Franchisor with all information necessary to close the transaction.

G.6. Franchisor shall also have the right (but not the obligation) to purchase non-expired approved perishable inventory at the Food Service Counter at the time of expiration or termination of this Addendum. The purchase price for the non-expired approved perishable inventory will be the product cost paid by franchisee to acquire these products from Franchisor or Franchisor's approved suppliers. Any amounts Franchisee owes to Franchisor or its affiliates shall be applied to reduce the purchase price.

H. Miscellaneous.

H.1. Franchisee shall, with regard to the Food Service Counter, perform all the obligations, comply with all the restrictions, and be subject to all the provisions in the Franchise Agreement.

H.2. Defined terms not defined in this Addendum shall have the meaning provided in the Franchise Agreement.

H.3. This Addendum shall be deemed to be part of, and shall be subject to all other terms and conditions in, the Franchise Agreement.

H.4. In any conflict between the Franchise Agreement and this Addendum, the provisions in this Addendum shall control.

Signed as of the date first written above.

FRANCHISEE

FRANCHISOR

\_\_\_\_\_

ADVANCED FRESH CONCEPTS  
FRANCHISE CORP.

Signature: \_\_\_\_\_

By: \_\_\_\_\_

Print Name: \_\_\_\_\_

Print Name: \_\_\_\_\_

**GUARANTY**

In exchange for Franchisor’s execution of this Agreement, the undersigned unconditionally, absolutely and irrevocably guaranties and promises to pay and perform any and all indebtedness and obligations of Franchisee (an entity and/or operation in which the undersigned has an ownership interest) to Franchisor under this Addendum and all other Franchise Documents. If more than one person signs below, the obligations of the undersigned shall be joint and several.

Signature: \_\_\_\_\_

Print Name: \_\_\_\_\_

Signature: \_\_\_\_\_

Print Name: \_\_\_\_\_

Signature: \_\_\_\_\_

Print Name: \_\_\_\_\_

# **EXHIBIT F**

## **SELF-SERVICE LOCATION ADDENDUM**

**SELF-SERVICE LOCATION ADDENDUM**

This Self-Service Location Addendum (this “Addendum”) is made this \_\_\_\_ day of \_\_\_\_\_, 20\_\_ between Advanced Fresh Concepts Franchise Corp. (“Franchisor”) and \_\_\_\_\_ (“Franchisee”) with reference to the following facts:

**RECITALS**

Franchisor and Franchisee entered into a Franchise Agreement dated \_\_\_\_\_, 20\_\_ (the “Franchise Agreement”). Franchisee wants to establish a self-service food service counter, to be operated pursuant to the Franchise Agreement. Franchisor is willing to let Franchisee do so on the terms in this Addendum. Accordingly, the parties have agreed as follows:

**A G R E E M E N T**

The following provisions shall be deemed to be added to and made part of the Franchise Agreement:

A. **Grant.** Franchisor grants Franchisee the right to establish and operate a self-service food service counter (the “Self-Service Food Service Counter”) using the AFC System and the Marks applicable to the selected location, at the following location \_\_\_\_\_ (the “Self-Service Location”).

B. **Self-Service Food Service Counter Type.** (check or circle one):

       **Zenshi Counter**

       AFC Food Service Counter

       Wild Blue Counter

       **Zenshi Counter**

C. **Term.** The term of this Addendum starts immediately and shall expire or terminate at the same time as the Franchise Agreement. Franchisee shall start operating the Self-Service Food Service Counter not later than \_\_\_\_\_, 20\_\_ , unless Franchisor consents in writing to extend the date.

D. **Initial Inventory.** Before Franchisee starts operation, Franchisor may elect to provide the Self-Service Food Service Counter with equipment, initial supplies and inventory that Franchisor considers necessary to start operating, and Franchisee shall pay Franchisor’s charges for these items.

E. **Payments to Franchisee.** Subject to Section 9.3 of the Franchise Agreement, Franchisor shall return to Franchisee \_\_\_\_ % of the Gross Sales of the Self-Service Food Service Counter, as reported by and received from the owner of the facility where the Self-Service Food Service Counter is located. Franchisor shall pay the amounts due to Franchisee, within 30 days after receiving the sales report and payment for the applicable period from the facility owner.

F. **Operation.**

F.1. Franchisee shall have the right to operate at the Self-Service Location, but only a Self-

Service Food Service Counter operating pursuant to the Franchise Agreement, as amended by this Addendum.

F.2. Franchisee shall perform all food preparation for the Self-Service Food Service Counter only at the following facility: \_\_\_\_\_

\_\_\_\_\_ and shall deliver the products to and place them for display at the Self-Service Food Service Counter.

F.3. Franchisee or Franchisee's personnel shall inspect the Self-Service Food Service Counter at least once daily and cause a sufficient amount of sushi and other food products to be placed in the display case before trading hours each day. Franchisor shall have the right to revise these requirements on written notice to Franchisee. The Self-Service Food Service Counter shall be adequately stocked during business hours.

G. Termination.

G.1. Franchisor may elect to terminate this Addendum at any time and for any reason or no reason on 30 day written notice. The parties mutually acknowledge that any termination of this Addendum shall not by itself be termination of the Franchise Agreement. On termination of this Addendum, Franchisee shall comply with all the post termination provisions of Section 15.6 of the Franchise Agreement as applicable to the Self-Service Food Service Counter.

G.2. Franchisor shall have the right to elect whether or not to terminate this Addendum either together with, or separate from the rest of the Franchise Agreement or any other addendum between Franchisee and Franchisor, according to the provisions of Sections 15.1 through 15.5 of the Franchise Agreement.

G.3. On termination or expiration of this Addendum, Franchisor shall have the option (but not the obligation), exercisable by delivering notice to Franchisee during the thirty (30) days following termination or expiration, to purchase the Assets of the Self-Service Food Service Counter. "Assets" means equipment, supplies, signage and non-perishable inventory.

G.4. The purchase price for the Assets will be the fair market value as reasonably determined by Franchisor. Any amounts Franchisee owes to Franchisor or its affiliates shall be applied to reduce the purchase price.

G.5. The balance of the purchase price, after the deductions in Section G.4, shall be payable by Franchisor to Franchisee, at the closing. The closing shall occur at a date stated by Franchisor in the notice to Franchisee of Franchisor's exercise of the purchase option. That date shall be no later than 30 days after delivery of the notice, provided that the date may be later as reasonably determined by Franchisor to allow time for compliance with bulk sales laws. At closing, the parties shall execute and deliver all documents necessary to vest title in the purchased assets in Franchisor, free and clear of liens and encumbrances. Franchisee shall provide Franchisor with all information necessary to close the transaction.

G.6. Franchisor shall also have the right (but not the obligation) to purchase non-expired approved perishable inventory at the Self-Service Food Service Counter at the time of expiration or termination of this Addendum. The purchase price for the non-expired approved perishable inventory will be the product cost paid by franchisee to acquire these products from Franchisor or Franchisor's approved suppliers. Any amounts Franchisee owes to Franchisor or its affiliates shall be applied to reduce the purchase

price.

H. Miscellaneous.

H.1. Franchisee shall, with regard to the Self-Service Food Service Counter, perform all the obligations, comply with all the restrictions, and be subject to all the provisions in the Franchise Agreement.

H.2. Defined terms not defined in this Addendum shall have the meaning provided in the Franchise Agreement.

H.3. This Addendum shall be deemed to be part of, and shall be subject to all other terms and conditions in, the Franchise Agreement.

H.4. In any conflict between the Franchise Agreement and this Addendum, the provisions in this Addendum shall control.

Signed as of the date first written above.

FRANCHISEE

FRANCHISOR

\_\_\_\_\_

ADVANCED FRESH CONCEPTS  
FRANCHISE CORP.

Signature: \_\_\_\_\_

By: \_\_\_\_\_

Print Name: \_\_\_\_\_

Print Name: \_\_\_\_\_

Title: \_\_\_\_\_

Title: \_\_\_\_\_

## GUARANTY

In exchange for Franchisor's execution of this Agreement, the undersigned unconditionally, absolutely and irrevocably guaranties and promises to pay and perform any and all indebtedness and obligations of Franchisee (an entity and/or operation in which the undersigned has an ownership interest) to Franchisor under this Addendum and all other Franchise Documents. If more than one person signs below, the obligations of the undersigned shall be joint and several.

Signature: \_\_\_\_\_

Print Name: \_\_\_\_\_

Signature: \_\_\_\_\_

Print Name: \_\_\_\_\_

Signature: \_\_\_\_\_

Print Name: \_\_\_\_\_

**EXHIBIT G**

**GENERAL RELEASE**

**ADVANCED FRESH CONCEPTS FRANCHISE CORP.  
GENERAL RELEASE AGREEMENT**

THIS GENERAL RELEASE AGREEMENT (this “**Release Agreement**”) is made and entered into as of \_\_\_\_\_ (the “**Effective Date**”), by and among **ADVANCED FRESH CONCEPTS FRANCHISE CORP.**, a California corporation (“**Franchisor**”), on the one hand, and \_\_\_\_\_ a \_\_\_\_\_ (“**Franchisee**”), and \_\_\_\_\_ (“**Owner**”), on the other hand, who are collectively referred to in this Release Agreement as the “**Releasing Parties**”, with reference to the following facts:

A. Franchisor and Franchisee are parties to that certain Franchise Agreement and related ancillary agreements dated \_\_\_\_\_ (collectively, the “**Franchise Agreement**”) pursuant to which Franchisor granted Franchisee a license (the “**License**”) to use the service marks and trade names “**Zenshi**,” “**AFC**,” “**Wild Blue**,” “~~“Zenshi,”~~ “**Hybrid Sushi**,” “**Southern Tsunami**,” and other related trademarks, service marks, logos and commercial symbols (the “**AFC Marks**”) and the “**AFC System**” (the “**System**”) in connection with the operation of one or more AFC Food Service Counter(s)/Wild Blue Counter(s) (collectively, the “**Food Service Counter(s)**”) located at \_\_\_\_\_ (the “**Franchised Location**”).

B. Franchisee desires to enter into a \_\_\_\_\_.

C. This Release Agreement has been requested at a juncture in the relationship of the parties where Franchisor is considering either a change or an expansion of the relationship between the parties and/or their affiliates. Franchisor is unwilling to make the anticipated change or expansion in the relationship of the parties unless it is certain that it is proceeding with a “clean slate” and that there are no outstanding grievances or Claims against it. Releasing Parties are willing to enter into this Release Agreement in consideration for receiving the agreement of Franchisor to an anticipated change or expansion of the relationship between the parties. Releasing Parties acknowledge that this Release Agreement is intended to wipe the slate clean.

**NOW, THEREFORE, IT IS AGREED:**

1. **DEFINITIONS.** As used in this Release Agreement, the following capitalized terms have the meanings ascribed to them.

1.1 “**Claims**” means all actual and alleged claims, demands, Losses, charges, agreements (whether written or oral), covenants, responsibilities, warranties, obligations, contracts (whether oral or written), debts, violations, suits, counterclaims, cross claims, third party claims, accounts, liabilities, costs, expenses (including attorneys’ fees and court costs), rights to terminate and rescind, rights of action and causes of action of any kind or nature, whatsoever, whether known or unknown, matured or unmatured, accrued or unaccrued, suspected or unsuspected, contingent or non-contingent, liquidated or unliquidated, choate or inchoate, and whether or not asserted, threatened, alleged, or litigated, at law, equity, or otherwise.

1.2 “**Constituents**” means past, present and future affiliates, subsidiaries, parent companies, divisions, partners, members, trustees, receivers, executors, representatives, administrators, owners, shareholders, distributors, predecessors, officers, directors, agents, managers, principals, employees, insurers, successors, assigns, representatives and attorneys and the past, present and future officers, directors, agents, managers, principals, members, employees, insurers, successors, assigns, representatives and attorneys of each of the foregoing.

1.3 “**Excluded Matters**” means Franchisor’s continuing contractual obligations which arise or continue under and pursuant to the Franchise Agreement on and after the date of this Release Agreement.

1.4 “**Franchisor Released Parties**” means Franchisor, Advanced Fresh Concepts Franchise Corp., a California corporation, and each of its Constituents.

1.5 “**Losses**” means all damages, debts, liabilities, accounts, suits, awards, judgments, payments, diminutions in value and other losses, costs and expenses, however suffered or characterized, all interest thereon, all costs and expenses of investigating any Claim, reference proceeding, lawsuit or arbitration and any appeal therefrom, all actual attorneys’ fees incurred in connection therewith, whether or not such Claim, reference proceeding, lawsuit or arbitration is ultimately defeated and, all amounts paid incident to any compromise or settlement of any such Claim, reference proceeding, lawsuit or arbitration.

2. **GENERAL RELEASE AGREEMENT**. Releasing Parties, for themselves and their Constituents, hereby release and forever discharge Franchisor Released Parties from any and all Claims, whether known or unknown, based upon anything that has occurred or existed, or failed to occur or exist, from the beginning of time to the Effective Date, including, without limitation any and all Claims which relate to the Franchise Agreement, any addendum thereto, the Food Service Counter(s), the System, the License, the Marks, and the Franchised Location, and any other agreement entered into prior to the Effective Date between Franchisor Released Parties, on the one hand, and Releasing Parties, on the other hand, except for the Excluded Matters and obligations under this Release Agreement. This waiver, release and discharge is effective immediately in its fullest and most comprehensive sense.

3. **WAIVER OF SECTION 1542 OF THE CALIFORNIA CIVIL CODE**.

3.1 **Section 1542 of the California Civil Code**. Releasing Parties, for themselves and their Constituents, acknowledge that they are familiar with Section 1542 of the California Civil Code, which reads as follows:

A GENERAL RELEASE DOES NOT EXTEND TO CLAIMS THAT THE CREDITOR OR RELEASING PARTY DOES NOT KNOW OR SUSPECT TO EXIST IN HIS OR HER FAVOR AT THE TIME OF EXECUTING THE RELEASE, AND THAT IF KNOWN BY HIM OR HER WOULD HAVE MATERIALLY AFFECTED HIS OR HER SETTLEMENT WITH THE DEBTOR OR RELEASING PARTY.

3.2 **Waiver**. With respect to those Claims being released pursuant to Section 2, Releasing Parties, for themselves and their Constituents, acknowledge that they are releasing unknown Claims and waive all rights they have or may have under Section 1542 of the California Civil Code or any other statute or common law principle of similar effect. For purposes of this Section 3, Releasing Parties shall be considered to be creditors of the Franchisor Released Parties, and each of them.

4. **UNKNOWN CLAIMS**. Releasing Parties acknowledge and agree that among the wide and comprehensive range of Claims being waived, released, and discharged by this Release Agreement, they are waiving, releasing, and discharging unknown and unsuspected Claims which, if known or suspected by Releasing Parties to exist in their favor at the time of executing this Release Agreement, may have materially affected Releasing Parties’ decision to enter into this Release Agreement. It is understood by Releasing Parties that, after the Effective Date, the facts under which this Release Agreement is entered into may turn out to be other than or different from the facts Releasing Parties knew or believed to be true on the Effective Date. Releasing Parties, therefore, expressly assume the risk of the facts turning out to be so different and agree that

this Release Agreement shall be in all respects final and effective and not subject to termination or rescission by any such difference in facts.

5. **REPRESENTATIONS AND WARRANTIES.** Releasing Parties hereby represent and warrant that, in entering into this Release Agreement, Releasing Parties: (i) are doing so freely and voluntarily, either upon the advice of counsel and business advisors of Releasing Parties' own choosing, or without such advice because Releasing Parties, free from coercion, duress or fraud, declined to obtain such advice; (ii) have read and fully understand the terms and scope of this Release Agreement; (iii) understand that this Release Agreement is final and conclusive, and intends to be final and conclusive, as to the matters set forth in this Release Agreement; and (iv) have not assigned, transferred, or conveyed to any third party all or any part of their interest, or any contingent interest, in any of the Claims released by this Release Agreement now or in the future, and are aware of no third party who contends or claims otherwise, and shall not purport to assign, transfer, or convey any interest in any such Claim after the Effective Date.

6. **COVENANTS NOT TO SUE.** Releasing Parties hereby irrevocably covenant that they will not, directly or indirectly: (i) commence, initiate, or cause to be commenced or initiated any proceeding, claim, or demand of any kind against Franchisor Released Parties based upon any Claims released under this Release Agreement; or (ii) assist or encourage any person or entity to investigate, inquire into, commence, initiate, or cause to be commenced or initiated any proceeding, claim, or demand of any kind against Franchisor Released Parties based upon any Claims released under this Release Agreement.

7. **INDEMNITY.** Without in any way limiting any of the rights and remedies otherwise available to the Franchisor Released Parties, Releasing Parties shall defend, indemnify and hold harmless each Franchisor Released Party from and against all Claims whether or not involving third-party Claims, arising directly or indirectly from or in connection with: (i) the assertion by or on behalf of Releasing Parties or their Constituents of any Claim or other matter released pursuant to this Release Agreement; (ii) the assertion by any third party of any Claim or demand against any Franchisor Released Party which Claim or demand arises directly or indirectly from, or in connection with, any Claim or other matter released pursuant to this Release Agreement; (iii) any breach of representations, warranties or covenants hereunder by Releasing Parties or its Constituents; or (iv) the Franchise Agreement, the Food Service Counter(s), the Franchised Location, and/or any and all claims of creditors, customers, vendors, suppliers or invitees of the Food Service Counter(s), or other third parties, for obligations incurred and/or acts or omissions to act by Franchisee, both prior to and following the Effective Date.

8. **GENERAL PROVISIONS.**

8.1 **Amendment.** This Release Agreement cannot be modified, altered or otherwise amended except by an agreement in writing signed by all of the parties.

8.2 **Entire Agreement.** This Release Agreement, together with the agreements referenced in this Release Agreement, constitute the entire understanding between and among the parties with respect to the subject matter of this Release Agreement and supersedes any prior negotiations and agreements, oral or written, with respect to the subject matter of this Release Agreement. The Recitals set forth in Paragraphs A through C of this Release Agreement are true and correct and are incorporated into this Release Agreement as part of this Release Agreement.

8.3 **Counterparts and Electronic Transmission; Electronic Signatures.** This Release Agreement may be executed in any number of counterparts, each of which shall be deemed to be an original and all of which together shall be deemed to be one and the same instrument. Copies of this Release Agreement with signatures that have been transmitted by email or by facsimile shall constitute and be deemed original copies of this Release Agreement for all purposes, provided that the copies are fully executed, dated and

identical in form to the original hard copy version of this Release Agreement. In addition, this Release Agreement may be signed electronically by the parties and electronic signatures appearing on this Release Agreement shall be deemed to be the same as handwritten signatures for the purposes of the validity, enforceability and admissibility of this Release Agreement.

8.4 **Heirs, Successors and Assigns.** This Release Agreement shall be binding upon and inure to the benefit of the parties and their respective heirs, successors and permitted assigns. In addition, each of Franchisor Released Parties that is not a party shall be a third party beneficiary of this Release Agreement, with the right to enforce this Release Agreement for his, her, or its benefit, whether acting alone or in combination with any other Franchisor Released Party.

8.5 **Interpretation.** The rule that an agreement is to be construed against the party drafting the agreement is hereby waived by the parties, and shall have no applicability in construing this Release Agreement or any of its terms. The headings used in this Release Agreement are for purposes of convenience only and shall not be used in construing the provisions of this Release Agreement. As used in this Release Agreement, the male gender shall include the female and neuter genders, the singular shall include the plural and the plural, the singular.

8.6 **Severability and Validity.** Any provision of this Release Agreement which is prohibited, unenforceable or not authorized in any jurisdiction shall, as to such jurisdiction, be ineffective to the extent of such prohibition, unenforceability or non-authorization without invalidating the remaining provisions of this Release Agreement or affecting the validity, enforceability or legality of such provision in any other jurisdiction.

8.7 **Governing Law and Venue.** This Release Agreement shall be interpreted and construed under the laws of California. In the event of any conflict of law, the law of California shall prevail, without regard to the application of California conflict of law rules. If, however, any provision of this Release Agreement would not be enforceable under the laws of California, and if the Food Service Counter(s) is/are located outside of California and such provision would be enforceable under the laws of the state in which the Food Service Counter(s) is/are located, then such provision shall be interpreted and construed under the laws of that state. Nothing in this Section 8.7 is intended by the parties to subject this Release Agreement to any franchise or similar law, rules, or regulation of the state of California to which it would not otherwise be subject.

8.8 **Arbitration.** Except as precluded by applicable law, any controversy or claim that arises out of or relates to this Release Agreement, or any breach of this Release Agreement, including without limitation any claim that any of this Release Agreement (including this Paragraph 8.8) is invalid, illegal, voidable or void, shall be submitted to arbitration in accordance with the rules of the American Arbitration Association and judgment on the award may be entered in any court with jurisdiction thereof. Unless applicable law requires otherwise, arbitration shall occur in Los Angeles, California. This arbitration provision shall be self-executing, and shall remain in effect after and regardless of expiration or termination of this Release Agreement. If a party fails to appear at any properly noticed arbitration proceeding, an award may be entered against such party regardless of such failure to appear. The prevailing party in any arbitration or other proceeding shall be entitled to recover its reasonable attorneys' fees and costs.

8.9 **Authority of Franchisor.** Franchisor represents and warrants that (i) Franchisor has the power and authority to enter into this Release Agreement and to perform its obligations under this Release Agreement without the approval or consent of any other person or entity, and (ii) the individual who executes this Release Agreement on Franchisor's behalf is duly authorized to do so without the approval or consent of any other person or entity.

8.10 **Authority of Releasing Parties.** Releasing Parties represent and warrant that (i) they have the power and authority to enter into this Release Agreement and to perform their obligations under this Release Agreement without the approval or consent of any other person or entity, and (ii) the individuals who execute this Release Agreement on Releasing Parties' behalfs are duly authorized to do so without the approval or consent of any other person or entity.

8.11 **No Waiver.** No delay, waiver, omission, or forbearance on the part of any party to exercise any right, option, duty, or power arising out of any breach or default by any other party of any of the terms, provisions, or covenants of this Release Agreement, and no custom or practice by the parties at variance with the terms of this Release Agreement, shall constitute a waiver by any party to enforce any such right, option, or power as against the other parties, or as to a subsequent breach or default by the other parties.

8.12 **Attorneys' Fees.** If any legal action is brought to enforce the terms of this Release Agreement, the prevailing party shall be entitled to reasonable attorneys' fees and costs, and any and all costs of collection, in addition to any other relief to which that party may be entitled.

8.13 **Further Acts.** The parties agree to execute, acknowledge and deliver to any requesting party, and to procure the execution, acknowledgment and delivery to any requesting party, of any additional documents or instruments which the requesting party may reasonably require to fully effectuate and carry out the provisions of this Release Agreement.

**IN WITNESS WHEREOF**, the parties to this Release Agreement have executed this Release Agreement as of the Effective Date.

**FRANCHISOR:**

ADVANCED FRESH CONCEPTS FRANCHISE  
CORP., A California corporation

By: \_\_\_\_\_  
Name: \_\_\_\_\_  
Title: \_\_\_\_\_

**FRANCHISEE:**

\_\_\_\_\_  
A \_\_\_\_\_

By: \_\_\_\_\_  
Name: \_\_\_\_\_  
Title: \_\_\_\_\_

**OWNER:**

\_\_\_\_\_  
\_\_\_\_\_, an individual  
  
\_\_\_\_\_  
\_\_\_\_\_, an individual

# **EXHIBIT H**

## **ASSIGNMENT OF FRANCHISE AGREEMENT AND FRANCHISOR CONSENT**

**Assignment of Franchise Agreement and Franchisor Consent**

This Assignment of Franchise Agreement (this “Assignment”) is executed on **DATE** by and between **FRANCHISEE NAME** an individual (“Franchisee”), and **COMPANY NAME** a **STATE** corporation (“Assignee Entity”).

Recitals

On **FRANCHISE AGREEMENT DATE** Franchisee entered into a franchise agreement (the “Franchise Agreement”) with Advanced Fresh Concepts Franchise Corp. (“Franchisor”) for the operation of a sushi bar or food service counter at the following location: **STORE NAME AND LOCATION** (the “Food Service Counter”).

Franchisee owns a majority of the outstanding stock or membership interests of Assignee Entity. Franchisee desires to assign his or her Franchise Agreement to the Assignee Entity according to the terms of this Assignment. Accordingly:

Assignment

For Value Received, Franchisee sells, assigns and transfers to Assignee Entity all right, title and interest in and to the Franchise Agreement between Franchisee and Franchisor, concerning the Food Service Counter.

Franchisee Signature: \_\_\_\_\_

Printed Name: \_\_\_\_\_

This Assignment is Accepted. Assignee Entity agrees to abide by all terms, conditions and obligations of Franchisee under the Franchise Agreement.

**COMPANY NAME**  
[Assignee Entity Name]

**EIN #**  
[EIN Number]

Signature: \_\_\_\_\_

Printed Name: \_\_\_\_\_

Title: \_\_\_\_\_

Franchisor Consent

By signing below, Advanced Fresh Concepts Franchise Corp., a California corporation, consents to the foregoing assignment, effective on \_\_\_\_\_.

ADVANCED FRESH CONCEPTS FRANCHISE CORP.  
a California corporation

Signature \_\_\_\_\_

Printed Name \_\_\_\_\_

Title \_\_\_\_\_

**Guaranty**

In exchange for Franchisor’s execution of this Agreement, Franchisee absolutely and irrevocably guaranties and promises to pay and perform any and all indebtedness and obligations of Assignee Entity (an entity and/or operation in which the undersigned has an ownership interest) to Franchisor under the Franchise Agreement and all other franchise documents between Assignee Entity and Franchisor.

Signature: \_\_\_\_\_

Print Name: \_\_\_\_\_

Date: \_\_\_\_\_

**EXHIBIT I**

**ASSET SALE AND PURCHASE  
AGREEMENT**

**Notice to Buyer and Seller**  
**This is a streamlined, basic form of Agreement**  
**It may not cover all circumstances of your transaction.**  
**You can edit, add to or delete from this Agreement to fit your transaction.**

**PLEASE REMOVE THIS SENTENCE AND ABOVE PARAGRAPH BEFORE SIGNING**

**ASSET SALE AND PURCHASE AGREEMENT**

This ASSET SALE AND PURCHASE AGREEMENT is entered into this \_\_\_\_ day of \_\_\_\_\_, 20\_\_, by and between \_\_\_\_\_ (“Buyer”), and Advanced Fresh Concepts Corp, a California corporation, its Designee or Affiliate (“Seller”).

**RECITALS**

Seller owns assets of an ~~Zenshi Counter~~/AFC Food Service Counter/Wild Blue Counter/~~Zenshi Counter~~ (the “**Food Service Counter**”) located at \_\_\_\_\_ (the “Location”). These include the assets listed on Exhibit A to this Agreement. Seller desires to sell, assign and transfer to Buyer, and Buyer desires to purchase and acquire from Seller, the assets listed on Exhibit A to this Agreement. Accordingly, the parties have agreed as follows:

**AGREEMENT**

**1. Purchase and Sale**

1.1 **Purchase and Sale.** Seller agrees to sell, transfer, assign and convey to Buyer, and Buyer agrees to purchase and acquire from Seller, on the Closing Date (as hereinafter defined), all the assets listed in Exhibit A attached to this Agreement and incorporated here by this reference (the “Assets”).

1.2 **Purchase Price.** The total purchase price for the Assets will be of the sum of \$ \_\_\_\_\_, together with the assumption by Buyer of the following liabilities and obligations \_\_\_\_\_.

1.3 **Payment.** The purchase price stated in Section ~~1.21.2~~ shall be payable in cash or cashier’s check on the Closing Date.

1.4 **Allocation of Purchase Price.** The allocation of the purchase price among the Assets for purposes of federal and state income and franchise tax shall be as follows:  
\$ \_\_\_\_\_ to Equipment; \$ \_\_\_\_\_ to Food Products; \$ \_\_\_\_\_ to Value of Established Market; and \$ \_\_\_\_\_ Other.

1.5 **Further Assurances.** From time to time at a party’s request, whether at or after the Closing Date, the other party shall execute and deliver such instruments and documents and take such other action as the requesting party reasonably requests to more completely convey and transfer the Assets intended to be transferred hereunder.

1.6 **Limitation.** Buyer shall have no obligation to assume any obligation of Seller, whether under any contract, lease or other instrument, or arising by law or otherwise, other than as expressly stated in this Agreement.

## 2. Closing

2.1 Closing Date. The closing will take place at the offices of \_\_\_\_\_, on \_\_\_\_\_, 20\_\_ at \_\_\_\_\_m., or at such other time and place as may be agreed by Seller and Buyer, provided, however at Seller's sole discretion, that this Agreement shall terminate and be of no force and effect if the closing Date shall not have occurred prior to \_\_\_\_\_, 20\_\_\_\_; and provided, further, that such termination shall not affect the rights or remedies of either party under this Agreement with respect to a breach of, or default under, this Agreement by the other party. On consummation, the closing shall be deemed to take place as of the close of business on the closing date. The time and date of the closing are herein referred to as the "Closing Date."

2.2 Deliveries. At the closing, Seller will deliver to Buyer, against receipt of the purchase price referred to in Section ~~1.2~~1.2.2, a bill of sale and other instruments of transfer and conveyance as reasonably requested by Buyer. At the closing, Buyer will deliver to Seller such instruments of assumption as reasonably requested by Seller.

## 3. Seller's Representations and Warranties.

Seller represents and warrants to Buyer as follows:

3.1 Organization and Good Standing. Seller is duly organized, validly existing and in good standing under the laws of the State of California and has all requisite power and authority to own, operate and lease its properties and to carry on its business as now being conducted.

3.2 Ownership. Seller owns all right, title and interest in and to the Assets, free and clear of liens and encumbrances other than as provided herein, and has the full right and power to transfer and assign the Assets to Buyer pursuant to this Agreement.

3.3 Authorization. Seller has full power and authority to sign, deliver and perform this Agreement and sell the Assets to Buyer. The signing, delivery and performance by Seller of this Agreement and the transactions contemplated by this Agreement have been duly authorized by all necessary and proper corporate action. This Agreement is a legal, valid and binding obligation of Seller, and each instrument contemplated by this Agreement when executed and delivered by Seller in accordance with the provisions hereof, will be a legal, valid and binding obligation of Seller, in each case enforceable against Seller in accordance with its terms.

## 4. Buyer's Representations and Warranties.

Buyer represents and warrants to Seller as follows:

4.1 Organization and Good Standing. If Buyer is identified in this Agreement as a corporation or limited liability company or other form of entity, Buyer is duly organized, validly existing and in good standing under the laws of the State of \_\_\_\_\_, has all requisite power and authority to own, operate and lease its properties and to carry on its business as now being conducted.

4.2 Authorization. Buyer has full power and authority to sign, deliver and perform this Agreement and buy the Assets from Seller. The signing, delivery and performance by Buyer of this Agreement and the transactions contemplated by this Agreement have been, duly authorized by all necessary and proper corporate action. This Agreement is a legal, valid and binding obligation of Buyer and each instrument contemplated by this Agreement when signed and delivered by Buyer in accordance with the

provisions hereof, will be a legal, valid and binding obligation of Buyer, in each case enforceable against Buyer in accordance with its terms.

4.3 No Breach or Violation. Neither the signing nor delivery of this Agreement nor the consummation of the transactions contemplated hereby will conflict with or result in a violation or breach of, or constitute a default under, any mortgage, lease or agreement, pursuant to which Buyer is a party or violate any judgment, order, permit, or decree binding on Buyer.

4.4 Documents and Records. Any documents and records being delivered to Seller are true, complete and correct.

5. Covenants.

5.1 Sales Tax. Buyer shall be responsible for the payment to the \_\_\_\_\_ of any sales tax which may become due by virtue of the sale of the Assets contemplated by this Agreement.

5.2 Bulk Transfer Laws. [\_\_\_\_\_] [\_\_\_\_\_] [Both parties initial if applicable or delete if not applicable. If neither initialed nor deleted, this provision shall apply.] The parties mutually agree to waive compliance with the bulk sales provisions of the Uniform Commercial Code of the State of \_\_\_\_\_, or any other applicable “bulk transfer” law in connection with the sale of the Assets, and Seller agrees to indemnify Buyer against all claims, losses, expenses, obligations, damages or liabilities occurring or arising from such waiver of compliance. Nothing herein contained shall be construed as an acknowledgment by any person that any such law is applicable to such sale.

5.3 Obligations to Personnel. Seller shall be solely responsible for payment of and shall pay all compensation and benefits due or to become due to personnel of the Food Service Counter operated at the Location for services performed through the Closing Date.

6. Conditions to Buyer’s Obligations. Buyer’s obligations to consummate the transactions contemplated by this Agreement are subject to the performance or satisfaction of the following condition on the Closing Date:

6.1 Bulk Transfer Law. If Section ~~5.25-2~~ has been deleted then Buyer and Seller shall have taken all such action as may be required to comply with all provisions of the Uniform Commercial Code - Bulk Transfer Law applicable to the transactions contemplated by this Agreement.

7. Conditions to Seller’s Obligations. Seller’s obligation to consummate the transactions contemplated by this Agreement are subject to the performance or satisfaction of the following conditions on or before the Closing Date:

7.1 Representations and Warranties. Buyer’s representations and warranties in this Agreement or in any certificate, document or instrument delivered pursuant hereto or in connection with the transactions contemplated hereby shall be true and correct in all material respects as of the Closing Date as if made on and as of the Closing Date.

7.2 Covenants. Buyer shall have performed and complied with all the covenants, agreements and conditions required by this Agreement to be performed or complied with by Buyer, on or before the Closing Date.

7.3 Officers’ Certificate. Seller shall have been furnished with a certificate executed on behalf of Buyer by its President or a Vice President, and its Secretary or Assistant Secretary, and by each other

person constituting the Buyer, dated the Closing Date, representing and certifying in such detail as Seller may reasonably request, as to the satisfaction of the conditions set forth in Sections ~~7.17-1~~ and ~~7.27-2~~.

7.4 No Actions or Proceedings. There will not be pending or threatened any action or proceeding before any court of governmental body or agency which would seek to restrain, prohibit or invalidate any transaction contemplated by this Agreement.

8. Survival and Indemnification.

8.1 Survival. The representations and warranties of Seller and Buyer in this Agreement and any provision of this Agreement intended, by its terms, to be observed and performed after the closing, shall survive the execution of this Agreement and the Closing Date.

8.2 Buyer's Indemnification. Buyer shall indemnify and hold Seller harmless from and against any damages, losses, liabilities, claims or expenses (including court costs and reasonable attorneys' fees) (the "Damages") arising from the use of the Assets or operation of the Food Service Counter located at \_\_\_\_\_ after the Closing Date.

9. Termination.

9.1 Events of Termination. This Agreement and the transactions contemplated hereby may be terminated at any time prior to the Closing Date: (a) by Buyer, if any of the conditions in Section 6 shall have become incapable of satisfaction or shall not have been satisfied or performed in the manner and within the time required on or before the Closing Date; and shall not have been waived by Buyer; or (b) by Seller, if any of the conditions in Section 7 shall have become incapable of satisfaction or shall not have been satisfied or performed in the manner and within the time required on or before the Closing Date; and shall not have been waived by Seller.

9.2 Effects of Termination. In the event of termination pursuant to this Section 9, or by virtue of the closing not having occurred by \_\_\_\_\_, 20\_\_\_\_, other than as a result of a breach by Seller or Buyer of its covenants contained herein, or the non-fulfillment by Seller or Buyer of a condition in Section 6 or 7 to be fulfilled by Seller or Buyer, in each case solely within its control, this Agreement shall thereafter become void and of no further force and effect.

10. Miscellaneous.

10.1 Headings; Meanings. Section numbers and headings in this Agreement are for convenience only and shall not affect in any way the meaning or interpretation of this Agreement. The provisions of this Agreement shall be interpreted in accordance with their fair meanings, and shall not be strictly construed for or against either party.

10.2 Severability. The invalidity or unenforceability of any particular provision of this Agreement shall not affect the other provisions, and this Agreement shall be construed in all respects as if any invalid or unenforceable provision were omitted.

10.3 Arbitration: Except as precluded by applicable law, any controversy or claim that arises out of or relates to this Agreement, or any breach of this Agreement, including without limitation any claim that any of this Agreement (including this Paragraph 10.3) is invalid, illegal, voidable or void, shall be submitted to arbitration in accordance with the rules of the American Arbitration Association and judgment on the award may be entered in any court with jurisdiction thereof. Unless applicable law requires otherwise, arbitration shall occur in Los Angeles, California. This arbitration provision shall be

self-executing, and shall remain in effect after and regardless of expiration or termination of this Agreement. If a party fails to appear at any properly noticed arbitration proceeding, an award may be entered against such party regardless of such failure to appear. The prevailing party in any arbitration or other proceeding shall be entitled to recover its reasonable attorneys' fees and costs.

10.4 Governing Law. The validity, construction and performance of this Agreement shall be governed by the laws, without regard to the laws as to choice or conflict of laws, of the State of California.

10.5 Entire Agreement. This Agreement, including its Exhibits is the entire agreement between the parties on its subject matter, and supersede all prior agreements, understandings, negotiations, representations and discussions, whether verbal or written pertaining to the subject. There are no promises, terms, conditions or obligations of the parties pertaining to that subject matter other than as contained in this Agreement. Nothing in this Agreement is intended to disclaim the representations made to Buyer in the Franchise Disclosure Document.

10.6 Binding Effect. This Agreement shall bind and benefit the parties and their successors and permitted assigns.

10.7 Parties in Interest. Nothing in this Agreement, expressed or implied, is intended to confer on any person or entity other than the parties any right or remedy under or by reason of this Agreement.

10.8 Notices. Any notice or communication required or permitted by this Agreement shall be deemed sufficiently given if in writing and when delivered personally or 48 hours after deposit with the U.S. Postal Service as registered or certified mail, postage prepaid, and addressed as follows:

If to Buyer:

\_\_\_\_\_  
\_\_\_\_\_  
\_\_\_\_\_

Attention: \_\_\_\_\_

If to Seller:

Advanced Fresh Concepts Corp.  
19700 Mariner Avenue  
Torrance, California 90503  
Attention: Jeff Seiler

or such other address as a party to whom notice is to be given has furnished to the other party in the manner provided above.

10.9 Amendments and Waiver. This Agreement may be amended, modified or supplemented only by a writing executed by each of the parties.

Signed as of the date first written above.

*BUYER*

\_\_\_\_\_

\_\_\_\_\_  
Signature

\_\_\_\_\_  
Title

*SELLER*

ADVANCED FRESH CONCEPTS CORP.

By \_\_\_\_\_

Its \_\_\_\_\_

**EXHIBIT A**

**ASSETS**

**EXHIBIT J**

**FOOD SERVICE COUNTER TRANSFER  
AGREEMENT**

## FOOD SERVICE COUNTER TRANSFER AGREEMENT

This FOOD SERVICE COUNTER TRANSFER AGREEMENT is entered into this \_\_\_\_ day of \_\_\_\_\_, 20\_\_, by and between \_\_\_\_\_ (“Buyer”), and Advanced Fresh Concepts Franchise Corp., a California corporation, or its Designee or Affiliate (“Seller”).

### RECITALS

Seller operates an ~~Zenshi Counter~~/AFC Food Service Counter/Wild Blue Counter/~~Zenshi Counter~~ (the “Food Service Counter”) at \_\_\_\_\_ (the “Location”). Buyer wants to purchase from Seller, and operate, the business of, the Food Service Counter. Seller is willing to sell and transfer the business of the Food Service Counter to Buyer according to the terms of this Agreement. Accordingly, the parties have agreed as follows:

### AGREEMENT

1. Transfer. Seller transfers to Buyer the business of the Food Service Counter, other than its tangible assets, effective \_\_\_\_\_, 20\_\_ (“Effective Date”).
2. Price. Buyer shall pay Seller \$\_\_\_\_\_, and assume and be responsible for the following liabilities and obligations \_\_\_\_\_.
3. Payment. Buyer shall pay the purchase price stated in Section 2 in cash or cashier’s check on signing this Agreement.
4. Obligations to Personnel. Seller shall be responsible to pay all compensation and benefits due to personnel of the Food Service Counter for services before the Effective Date.
5. Indemnification. Buyer shall indemnify, defend and hold Seller harmless from and against all damages, losses, liabilities, claims or expenses, also including court costs and attorneys’ fees, arising from use and operation of the Food Service Counter after the Effective Date.
6. Buyer Acknowledgements. Buyer acknowledges being aware that:
  - A. the transfer accomplished by this Agreement does not include any tangible assets, equipment or inventory of the Food Service Counter. The sale, transfer and assignment of any assets, equipment and/or inventory to operate the Food Service Counter shall be accomplished by a separate Bill of Sale, on terms agreed by the parties;
  - B. Buyer will be required to sign and comply with other agreements and instruments to be permitted to operate the Food Service Counter, including but not limited to a Franchise Agreement and other ancillary agreements;
  - C. the transfer accomplished by this Agreement is conditioned on the property owner or landlord’s consent to the transfer; permission to operate the Food Service Counter at the Location is derived from an agreement between Seller (or an entity affiliated with Seller, such as Advanced Fresh Concepts Corp.) and the owner or lessor of the Location; that agreement may be modified or terminable by the owner and/or manager of the Location at any time and on short notice; the owner or facility manager may object to Buyer operating there; and modification, termination or objection by the owner or facility manager may result in the need for relocation and resulting disruption and interruption to Buyer or adjustment to the franchise operations (such as if the facility

owner requests that operations be converted from a full time location to a self-service, or part time location, or vice versa).

D. Seller makes no warranty or representation about the length of time Buyer may be permitted to operate the Food Service Counter at the Location or any other warranty or representation of any kind.

7. Interpretation. Section numbers and headings in this Agreement are for convenience only and shall not affect the meaning or interpretation of this Agreement. The provisions of this Agreement shall be interpreted according to their fair meanings, and shall not be strictly construed for or against either party.

8. Severability. The invalidity or unenforceability of any provision of this Agreement shall not affect the other provisions; they shall remain in effect and this Agreement shall be construed as if any invalid or unenforceable provision were omitted.

9. Governing Law. The validity, construction and performance of this Agreement shall be governed by California law, without regard to rules on choice or conflict of laws.

10. Arbitration: Any controversy or claim that arises out of or relates to this Agreement, or any breach of this Agreement, including without limitation any claim that any of this Agreement (including this Section 10) is invalid, illegal, voidable or void, shall be submitted to arbitration in accordance with the rules of the American Arbitration Association and judgment on the award may be entered in any court having jurisdiction. Arbitration shall occur in Los Angeles, California. This arbitration provision shall be self-executing, and shall remain in effect after and regardless of expiration or termination of this Agreement. If a party fails to appear at any properly noticed arbitration proceeding, an award may be entered against such party regardless of such failure to appear. The prevailing party in any arbitration or other proceeding shall be entitled to recover its reasonable attorney's fees and costs.

11. Parties in Interest. This Agreement shall bind and benefit the parties and their successors and permitted assigns. Nothing in this Agreement, expressed or implied, is intended to confer on any person or entity other than the parties any right or remedy under or by reason of this Agreement.

12. Notices. Any notice or communication required or permitted by this Agreement shall be deemed sufficiently given if in writing and when delivered personally or 48 hours after deposit with the U.S. Postal Service as registered or certified mail, postage prepaid, and addressed as follows:

To Buyer:  
\_\_\_\_\_  
\_\_\_\_\_  
\_\_\_\_\_  
Attention: \_\_\_\_\_

To Seller:  
Advanced Fresh Concepts Franchise Corp.  
19700 Mariner Avenue  
  
Torrance, California 90503  
Attention: Jeff Seiler

or other address that a party to whom notice is to be given has notified the other party as provided above.

13. Entire Agreement. This Agreement is the entire agreement between the parties on its subject matter, and supersedes all prior agreements, understandings, negotiations, representations and discussions, whether verbal or written pertaining to the subject. There are no promises, terms, conditions or obligations of the parties pertaining to that subject matter other than as contained in this Agreement. Nothing in this Agreement is intended to disclaim the representations made to Buyer in the Franchise Disclosure Document. This Agreement may be amended, modified or supplemented only by a writing executed by each of the parties.

Signed as of the date first written above.

*BUYER*

*SELLER*

\_\_\_\_\_

ADVANCED FRESH CONCEPTS  
FRANCHISE CORP.

\_\_\_\_\_  
Signature

By \_\_\_\_\_

\_\_\_\_\_  
Title

Its \_\_\_\_\_

**EXHIBIT K**

**PROMISSORY NOTE**

## PROMISSORY NOTE

\$ \_\_\_\_\_, 20\_\_

FOR VALUE RECEIVED, \_\_\_\_\_ (“Maker”), hereby promises to pay to ADVANCED FRESH CONCEPTS FRANCHISE CORP., a California corporation (“Holder”), or order, at \_\_\_\_\_, or at such other place as Holder may from time to time designate in writing, the principal sum of \_\_\_\_\_ Dollars (\$ \_\_\_\_\_), with interest on the unpaid principal balance of this Promissory Note (“Note”) from the date of this Note until paid in full at the rate of zero percent (0%) per annum (“Interest Rate”).

1. Payment. Principal under this Note is payable as follows:
  - (i) On the \_\_\_\_\_ day of each month following the date of this Note, Maker shall pay to Holder monthly installments of principal in the amount of \_\_\_\_\_ Dollars (\$ \_\_\_\_\_).
  - (ii) On \_\_\_\_\_, the entire unpaid principal balance of this Note shall be due and payable.
  - (iii) Maker shall pay the sums due either by cashier’s check, money order, credit card or at Holder’s option, via deduction from commissions due to Maker.
2. Prepayment. This Note is prepayable, in whole or in part, at any time by Maker upon thirty (30) days’ written notice to Holder.
3. Late Charge and Default Rate. Maker recognizes that any default in the payment of any installment of principal due hereunder will result in losses and additional expenses to Holder in servicing the indebtedness evidenced hereby, handling such delinquent payments and meeting its financial obligations, and that the damages caused thereby would be extremely difficult and impractical to ascertain. Therefore, if any installment of principal due hereunder becomes overdue for a period more than ten (10) days, a late charge of one percent (1%) of the delinquent amount may be charged by Holder, at its option, to defray such losses and expenses. If applicable law requires a lesser charge, the maximum rate permitted by law may be charged. Any late charge that accrues during a month shall be payable on the next monthly payment date. Maker agrees that the payment of the late charge set forth in this Paragraph 3 is a reasonable estimate of the damage to Holder in the event of a late payment. The late fee provided in this Paragraph shall be payable in addition to all other remedies of Holder hereunder, at law or in equity.
4. Acceleration. If Maker fails to pay any installment within ten (10) days after the same is due, or if any other default occurs under this Note, or any other Franchise Agreement or addendum between the parties, the entire unpaid principal balance and other sums payable hereunder shall, at the option of Holder, become immediately due and payable without demand or notice.
5. Application of Payments; No Setoffs. All sums payable hereunder shall be payable without offset, demand, abatement or counterclaim of any kind or nature whatsoever, all of which are hereby waived by Maker. Principal shall be payable in lawful money of the United States of America.
6. Waiver. Maker and all other parties who may be directly or indirectly liable hereunder waive (a) presentment, protest and demand, diligence in collection and notice of protest, presentment,

demand, dishonor and nonpayment of this Note and (b) any release or discharge arising from any extension of time, discharge of any party liable for payment of this Note, release of any or all of the security for this Note, or other cause of release or discharge other than actual payment in full of this Note.

7. No Waiver. Holder shall not be deemed, by any act or omission, to have waived any of its rights or remedies hereunder unless such waiver is in writing and signed by Holder and then only to the extent specifically set forth in such writing. A waiver with reference to one event shall not be construed as a bar to or waiver of any right or remedy as to any subsequent event. No delay or omission of Holder to exercise any right, whether before or after a default hereunder, shall impair any such right or shall be construed to be a waiver of any right or default, and the acceptance at any time by Holder of any past-due amount shall not be deemed to be a waiver of the right to require prompt payment when due of any other amounts then or thereafter due and payable.

8. Severability. Any provision of this Note which may be prohibited by law or otherwise held invalid shall be ineffective only to the extent of such prohibition or invalidity and shall not invalidate or otherwise render ineffective the remaining provisions of this Note.

9. Choice of Law. This Note, and the rights and obligations hereunder of each of the parties hereto, shall be governed by and construed in accordance with the laws of the State of California, without reference to principles of conflicts of law.

10. Successors and Assigns. The terms, covenants and conditions contained herein shall be binding upon the heirs and successors of Maker and shall inure to the benefit of the successors and assigns of Holder.

11. Costs and Expenses. If any amount under this Note is not paid when due, Maker promises to pay immediately upon demand all costs and expenses of collection, including without limitation actual attorneys' fees, incurred by Holder to enforce the terms of this Note.

12. Venue and Jurisdiction. Maker agrees that any suit, action or proceeding arising out of or relating to this Note, or the interpretation, performance or breach of this Note, may be instituted in the United States District Court for the Central District of California or any court of the State of California located in Los Angeles County, and Maker irrevocably submits to the jurisdiction of those courts and waives any and all objections to jurisdiction or venue that it may have under the laws of the State of California or otherwise in those courts in any such suit, action or proceeding. The provisions of this paragraph shall not be deemed to preclude Holder from filing any suit, action or proceeding in any other appropriate forum.

13. Assignment. Holder may assign this Note and any security for this Note without notice to Maker or the consent of Maker. Maker shall have no right or power to assign or delegate any obligations under this Note.

14. Entire Agreement. This Note contains all of the terms and conditions agreed on by Maker and Holder with respect to the subject matter of this Note. This Note supersedes all prior negotiations, discussions, correspondence and agreements between Maker and Holder on its subject. This Note cannot be modified or changed except by written instrument signed by Maker and Holder.

15. Miscellaneous. If this Note is executed by more than one person or entity as Maker, the obligations of each such person or entity shall be joint and several. Each right, power and remedy of Holder provided in this Note, any other document securing this Note or at law, in equity or otherwise shall be

cumulative and may be pursued singularly, successively or together at the sole discretion of Holder, and the failure to exercise any such right, power or remedy shall in no event be construed as a waiver or a release thereof.

Time is of the essence with respect to each and every provision hereof in which time is a factor.

MAKER

---

---

Signature

---

Print Name

---

Title

## **EXHIBIT L**

# **TABLE OF CONTENTS OF OPERATING MANUAL, SSOP MANUAL, STEAM TABLE MANUAL AND RECIPE GUIDES**

# TABLE OF CONTENTS

## STANDARD OPERATION MANUAL



### BOD BUSINESS OPERATION DEPARTMENT

	BOD	PAGE
A. Sushi Bar Business Hours .....	BOD	1
B. Store Relationship .....	BOD	1
C. Sushi Bar Personnel .....	BOD	1
D. AFC Supervision .....	BOD	2
E. Supervision Report .....	BOD	2
Inspection Reports .....	BOD	2
Retraining .....	BOD	2
F. LABELING .....	BOD	3
DISPOSAL OF LEFTOVER SUSHI .....	BOD	3
G. Fish, Seafood, Vegetables and Spicy Sauce .....	BOD	3 – 4
Thawing Procedure .....		
Preparing Seafood .....		
Shrimp .....		
Vegetables .....		
Carrots .....		
Spicy Sauce .....		
Sushi Specification Charts .....	BOD	5 – 9
Sushi Layout Charts .....	BOD	10 – 17
H. Daily Production Report (DPR) .....	BOD	18 – 22
Sample DPR (R-1 & R-2)B .....	BOD	20
Sample DPR (R-2)B .....	BOD	21
Sample DPR (NA1) .....	BOD	22
I. How to Use Sushi Related Products Movement Log .....	BOD	23
Sushi Related Products Item Movement Log .....		25
J. Delivery to Self Service Sushi Bars .....	BOD	26
Equipment .....	BOD	
Instructions .....	BOD	
Care for Equipment .....	BOD	
DELIVERY SUSHI TEMPERATURE LOG .....	BOD	27
K. Glossary of Terms .....	BOD	28
L. Sushi Rice Procedure .....	BOD	29
M. Short Grain Rice .....	BOD	30
N. Musenmai-Premium .....	BOD	30
O. Packaging and Cooling .....	BOD	31
P. Over night chilled cooling procedure .....	BOD	31
SUSHI .....	BOD	33

# TABLE OF CONTENTS

---

## STANDARD OPERATION MANUAL

---



BOD (continued)		PAGE
CUSTOMER SERVICE		
SALES PROMOTION	.....	BOD 34
DEMO/SAMPLING	.....	BOD 35
Preparation	.....	BOD 36
Sushi Related Products	.....	BOD 36
Other Materials		
HOW TO DEMO	.....	BOD 37 – 38
Introduction to AFC		
The Secret of Good Sushi		
Sushi Rice		
Roll Size	.....	BOD 39
How to Make Rolls	.....	BOD 40 – 42
Presentation	.....	BOD 43
Variations of Maki Sushi		BOD 43
HAND ROLL	.....	BOD 44 – 45
Variations		
SUSHI CHEFS	.....	BOD 46
Frequency of Demos		
Timing		
Natural and Sushi Related		
DEMO/SAMPLING Data Sheet	.....	BOD 47
Roll'n Wrap	.....	BOD 48 – 65
Hot Bowl Instruction	.....	BOD 65 – 77

---

# TABLE OF CONTENTS

---

## STANDARD OPERATION MANUAL

---



### ACT ACCOUNTING DEPARTMENT

		PAGE
ACCOUNTING PROCEDURE .....	ACT	1 - 2
Personal Information		
Your Name		
Sales Reporting and Remittance		
IMPORTANT TAX INFORMATION .....	ACT	3
IDENTIFICATION NUMBER AND .....	ACT	4
CERTIFICATION W-9 FORM .....		
SALES REPORT FORM (SAMPLE) .....	ACT	5
STATEMENT (model) .....	ACT	6
EXPLANATION ON SAMPLE COMMISSION .....	ACT	7
STATEMENT		
MONTHLY CLOSING DATE .....	ACT	8
CHANGE OF ADDRESS AND .....	ACT	9
INFORMATION		
SALES DISCREPANCIES CLAIM .....	ACT	10
REFERENCE		
SALES DISCREPANCIES CLAIM FORM .....	ACT	11
(SAMPLE)		

# TABLE OF CONTENTS

---

## STANDARD OPERATION MANUAL

---



### MKT MARKETING DEPARTMENT

		PAGE
INTRODUCTION .....	MKT	1
CUSTOMER SERVICE .....	MKT	2
Be Friendly .....		
Be Knowledgeable About Your Products .....	MKT	2
Establish Relationship with Your Customer .....	MKT	3
Be Helpful .....		
Be Clean and Neat .....		
Adjust your Working Hours .....	MKT	4
DEMOS .....	MKT	5
CUSTOMER COMPLAINT .....	MKT	6
Product Dissatisfaction .....		
Food Poisoning .....		
MERCHANDISING .....	MKT	7
Sushi .....		
Natural Products .....	MKT	8
Display Case .....		
Shrink .....		
For the Customers .....	MKT	9
Advertising .....		
SUMMARY .....	MKT	10

# TABLE OF CONTENTS

---

## STANDARD OPERATION MANUAL



### LEG LEGAL DEPARTMENT

		PAGE
LABELS & LOGS .....	LEG	1
PRICE LABELS .....	LEG	2
Bar Code		
Ingredients		
Net Weight		
Positioning		
HARRASSMENT POLICY .....	LEG	3 – 4
ACCIDENT PREVENTION & ACTION for EMERGENCIES MANUAL .....	LEG	5 – 14

### DISTRIBUTION CENTER

		PAGE
ORDER PROCEDURE .....	DC	1
RECEIVING INSTRUCTIONS		
URGENT ORDERS		
BACK ORDER .....	DC	2
RECEIVING PROCEDURE		
QUALITY ASSURANCE		
FIFO (First In First Out)		
BILL OF LADING (SAMPLE) .....	DC	3
AFC MISSING / DAMAGED ITEM CLAIM REPORT (form) .....	DC	4
Missing Items .....	DC	5
Damaged Items		
Frozen Items		

# TABLE OF CONTENTS

---

## STANDARD OPERATION MANUAL



### AFC LABEL MACHINE POLICY

		PAGE
GENERAL INFORMATION .....	Policy	1
Who Must Have The Label Machine? What is Included?		
Costs and Charges .....		2
Payment .....		3
Two-year Warranty Terms .....		3
Precautions / Warnings		
Sushi Chef's Responsibilities .....		3 – 4
Hot-Spares / Replacements .....		4 – 5
Label Machine Service Warranty Renewal .....		6 – 7
How the Label Machine Works .....		7
Label Revisions		
Adding New Items		
Out of Box defects/ Missing Items .....		8
RETURN POLICY .....		9 - 10
Credit Process		
LABEL MACHINE CREDIT FORM .....		11
LABEL MACHINE INSTRUCTION GUIDE .....	Guide	12 – 38

### APPENDIX (Forms and Logs)

		PAGE
ITEM MOVEMENT LOG .....	APX	1
DEMO / SAMPLING DATA SHEET .....	APX	2
SALES REPORT .....	APX	3
SALES DISCREPENCY FORM .....	APX	4
CHANGE OF ADDRESS .....	APX	5
MISSING / DAMAGED ITEMS FORM .....	APX	6
ILLNESS POLICY .....	APX	7
FRANCHISEE COMMUNICATION FORM .....	APX	8



# Table of Contents

Page	Content
<b>5</b>	Kitchen Setup
<b>6-10</b>	Recommended Equipment
<b>11</b>	Ingredient Shelf Life
<b>12-13</b>	Ingredient Size Specifications
<b>14-15</b>	Approved Ingredients
<b>16-21</b>	Menu Planograms
	Recipes
<b>22</b>	- Garlic Ginger Mix
<b>23</b>	- Sushi Rice Procedure
<b>24</b>	- Rice Cooking Procedure
<b>25-31</b>	- Fried Rice/Noodles
<b>32-65</b>	- Entrées
<b>66-75</b>	- Appetizers
<b>76-78</b>	- Soups
<b>79-84</b>	- Marinades



# TABLE OF CONTENTS

## Sushi Recipe Book

Page	Content
IV	What is Sushi?
V-VI	Sushi Variations
VII-VIII	Ingredients and their Japanese Names
IX	Sushi Knives
X-XIV	Ingredient Shelf Life
XV	Ingredient Preparation
XVI	Approved Brands for Specified Ingredients Purchased Locally
XVII	Sushi Product and Trays Disclaimer
XVIII	Alternate Product Names
	Recipes
1-17	- Classic
18-31	- Combo
32-50	- One Roll
51-67	- Hybrid
68-83	- Wraps
84-100	- Samplers
101-110	- Party Trays
111-119	- Bowls
120-125	- Appetizers

# TABLE OF CONTENTS

## Sushi Recipe Book

Page	Content
IV	What is Sushi?
V-VI	Sushi Variations
VII-VIII	Ingredients and their Japanese Names
IX	Sushi Knives
X-XIV	Ingredient Shelf Life
XV	Ingredient Preparation
XVI	Approved Brands for Specified Ingredients Purchased Locally
XVII	Sushi Product and Trays Disclaimer
	<b>Recipes</b>
1-4	- Classic
5-19	- Nigiri
20-44	- 10 pcs
45-53	- 15 pcs
54-70	- Hybrid
71-88	- Wraps
89-133	- Combo
134-143	- Party Trays
144-157	- Bowls
158-162	- Appetizers

Franchisee Name: \_\_\_\_\_

Franchisee ID: \_\_\_\_\_

Store Name/Number: \_\_\_\_\_



OXOXOX

# Standard Sanitation Operating Procedure

& Methods Manual

*pH 135*

# Table of Contents

Introduction .....	1
AFC Manuals .....	1
T.T.C. vs. pH Controlled Locations .....	1
Daily Logs .....	2
Rules for Providing Safe Food .....	2
Personal Hygiene & Personal Cleanliness .....	2
Handling Employee Illnesses .....	4
Storage of Personal Belongings .....	6
Equipment .....	7
Thermometers .....	8
Purchasing Food and Supplies .....	9
Letters of Guarantee .....	9
Flow of Food .....	10
Food Storage .....	10
Receiving .....	12
Food Allergens .....	13
Food Preparation .....	14
Cooling Food .....	16
Defrosting .....	17
Protecting Food During Service .....	17
Food Sampling .....	18
Proper Labeling .....	20
Shelf Life .....	21
Cleaning & Sanitizing .....	22
Chemical Storage .....	24
Maintenance of Shared Spaces .....	25
Pest Control .....	25
HACCP .....	26
Laboratory Analysis of Sushi .....	27
Consumer Advisory .....	27
ServSafe® & Food Handler's Certificate .....	27
Food Service - Business License / Health Permit to Operate .....	28
The Helper .....	28
Inspection Reports from Enforcement Agencies .....	28
AFC Internal Audits .....	28
Delivery Locations .....	29
Additional Store Requirements .....	29
Questions? .....	29

## **EXHIBIT M**

# **LIST OF U.S. FRANCHISEES, U.S. COMPANY OWNED LOCATIONS, TRANSFERS, TERMINATIONS, NON- RENEWALS, CEASED OPERATIONS/OTHER IN OUR LAST FISCAL YEAR**

Zenshi Food Service Counters  
Franchisee List  
As of March 31, 2024

Franchisee Name	Address	City	State	Zip	Phone
DEANO, Leilanie Asuncion	5600 Debarr Road	Anchorage	AK	99504	(907) 339-0900
GALINDO, Mario Ildefonso, Jr.	1725 Abbott Rd	Anchorage	AK	99507	(907) 339-2800
TANGBOU, Zaugun	4000 W. Diamond Blvd	Anchorage	AK	99502	(907) 339-1200
NGEWTONG, Nampuong	7731 E. Northern Lights Blvd	Anchorage	AK	99504	(907) 339-1700
PINMANEE, Chanaporn	1501 Huffmann Rd.	Anchorage	AK	99515	(907) 339-1300
KEOKHAMPHOUY, Anouxa	1650 W. Northern Lights Blvd.	Anchorage	AK	99517	(907) 339-0500
TANGBOU, Zaugun	11409 Business Park Blvd	Eagle River	AK	99577	(907) 696-9400
GALINDO, Kim Allen De Guzman	3627 Airport Way	Fairbanks	AK	99709	(907) 374-4000
VIAL, Tuan Sung	30 College Rd.	Fairbanks	AK	99701	(907) 374-4100
PAU, Sawm	90 Sterling Hwy	Homer	AK	99603	(907) 226-1000
KIM, Dai Khan	3033 Vintage Blvd	Juneau	AK	99801	(907) 523-2000
LIAN TAWNG, David	10576 Kenai Spur Hwy	Kenai	AK	99611	(907) 283-6300
MACAPINLAC, Jessel Co	2685 Mill Bay Rd.	Kodiak	AK	99615	(907) 481-1500
GALINDO, Kim Allen De Guzman	301 N. Santa Claus Lane	North Pole	AK	99705	(907) 490-2700
TADAUNG, Nattikarn	664 West Evergreen Ave	Palmer	AK	99645	(907) 761-1400
LIAN TAWNG, David	44428 Sterling Highway South	Soldotna	AK	99669	(907) 714-5400
VILORIA, Izy Gayle	595 E. Parks Hwy	Wasilla	AK	99654	(907) 352-1100
HLA, Kyaw Tun	9200 Highway 119 Ste 1400	Alabaster	AL	35007	(205) 663-3443
BIK, Jonathan Thawngluai	22031 US Highway 72	Athens	AL	35613-2614	(256) 230-2076
BIK, Jonathan Thawngluai	165 US Hwy 31 N.	Athens	AL	35611	(800) 242-1227
KAP, Thang Sian	300 Deans Rd. Suite F	Auburn	AL	36830	(334) 821-1325
MYINT, Phyu Phyu	2900 E University Dr.	Auburn	AL	36830	(334) 502-2416
TUANG, Suan Thawn	2415 Moores Mill Rd	Auburn	AL	36830	(334) 502-8667
LE, Phuong	138 South Gay Street,	Auburn	AL	36830	(334) 502-3616
HTWE, Hla	4965 Promenade Parkway	Bessemer	AL	35022	(205) 426-7100
NGAI, Ling	1325 Montclair Rd.	Birmingham	AL	35210	(205) 951-6626
LUN, Magdalene Thang Zam	3040 Healthy Way	BIRMINGHAM	AL	35243	(205) 970-7501
SHEIN, Kyawt Kyawt	1944 Montgomery Hwy S	Birmingham	AL	35244	(205) 987-3401
SHEIN, Kyawt Kyawt	410 Doug Baker Blvd	Birmingham	AL	35242	(205) 981-7415
LANGLE, Billy K	6219 Tattersall Blvd.	Birmingham	AL	35242	(205) 778-5381
MANG, Lian	2860 Lakeshore Pkwy	Birmingham	AL	35211	(205) 945-2741
LWIN, Zin Mar	5188 Coldwell Mill	Birmingham	AL	35244	(205) 980-7500
LWIN, Zin Mar	230 20th Street South	Birmingham-Jefferson	AL	35233	(205) 250-7170
MANG, Anthony Khaalza	90 Marketplace Cir	Calera	AL	35040	(205) 668-3585
ZASIAH, Stephen Vantiam	501 Chelsea Crossroads	Chelsea	AL	35043	(205) 678-5600
PAU, Thang Vum	1104 Cullman Shopping Center NW	Cullman	AL	35055	(256) 736-7000
MANG, Thang Suan	27955 US Highway 98	Daphne	AL	36526	(251) 626-1305
LING, Tuang Thang	1605 Beltline Rd. SW	Decatur	AL	35601	(256) 301-0023
NANG, James	2934 Point Mallard Pkwy, SE	Decatur-Morgan	AL	35603	(256) 351-5261
MUANG, Thian Pek	1620 Ross Clark Circle	Dothan	AL	36301	(334) 673-1200
HNIEM, Biak	4650 West Main Street Ste 700	Dothan	AL	36305	(334) 792-6801
MUNG, Thawng Ngaih	3525 Ross Clark Circle	Dothan	AL	36303	(334) 792-4281
KHUP, Phung Go	847 Boll Weevil Cir	Enterprise	AL	36330	(334) 348-1489
MANG, Thang Suan	22530 U.S.Highway 98	Fairhope	AL	36532	(251) 929-7355
LIN, Cung Hu	18125 Wright Blvd	Fairhope	AL	36532	(251) 279-6442
THANG, Ting Zung	322 Cox Creek Pkwy	Florence	AL	35630	(256) 718-1790
AUNG, Wai Phyo	2614 S. McKenzie St.	Foley	AL	36535	(251) 943-3329
Hnin, Wai Wai	655 Fieldstown Road	Gardendale	AL	35071	(205) 608-4677
LIAN, Pau Deik	160 Cotton Creek Drive	Gulf Shores	AL	36542	(251) 948-1281
MUNG, Thawng Za	2300 Gunter Avenue	Guntersville	AL	35976	(256) 571-2501
Thang, Kham Lian	5850 Highway 53	Harvest	AL	35749	(256) 851-5958
SHEIN, Kyawt Kyawt	4730 Highway 17	Helena	AL	35080	(205) 620-0199
MANG, Hau Lan	411 Green Springs Hwy	Homewood	AL	35209	(205) 944-1101
MAUNG, Salai K	2543 John Hawkins Pkwy	Hoover	AL	35244-3533	(205) 982-8506
Ji, Roi	1584 Montgomery Highway	Hoover	AL	35216	(205) 824-7218
MANG, Lian	4289 South Shades Crest Road	Hoover	AL	35244	(205) 428-4923
VUNG, Hrang	7090 University Drive	Huntsville	AL	35806	(256) 726-0600
THANG, Za Len	9040 Memorial Pkwy SW	Huntsville	AL	35802	(256) 650-6086
NYEIN, Ei Ei	2246 Winchester Rd NE	Huntsville	AL	35811	(256) 851-5807
CHANG, Elle	12796 Bailey Cove Rd SE	Huntsville	AL	35803	(256) 885-0002
CHANG, Elle	310 Pelham Ave SW	Huntsville	AL	35801	(256) 534-2330
Thang, Kham Lian	1660 Old Monrovia Rd. NW	Huntsville	AL	35806	(256) 430-5443
MAUNG, Tun	4851 Whitesburg Dr.	Huntsville	AL	35802	(256) 650-2390
HMUNG, Biak Nuai	2286 Zierdt Rd.	Huntsville	AL	35824	(256) 774-3888
JONES, Jinyan Y.	12070 County Line Road	Madison	AL	35756	(256) 230-2626
TUANG, Khup Lam	7129 Wall Triana Hwy	Madison	AL	35757	(256) 722-3786
NUNG, Joseph	8847 US-72 E	Madison	AL	35758	(800) 576-4377
CHANG, Elle	350 Hughes Rd	Madison	AL	35758	(256) 464-3422
NGUNHEI, Tan Thay Aung	4579 Wall Triana Highway	Madison	AL	35758	(256) 461-0914
LIAN, Thang Cin	417 John Henry Way	Madison	AL	35757	(256) 325-0540
HMUNG, Biak Nuai	8000 Madison Blvd	Madison	AL	35758	(256) 461-1860
MAUNG, Tun	12290 Highway 231-431 N.	Meridianville	AL	35759	(256) 829-3488
Qader, Matthew M	100 N Florida Street	Mobile	AL	36607	(251) 471-4860

Zenshi Food Service Counters  
Franchisee List  
As of March 31, 2024

Franchisee Name	Address	City	State	Zip	Phone
KHUAL, Gin Sian	9124 Cottage Hill Road	Mobile	AL	36695	(800) 242-1227
MANG, Vungh Suan	4628 Airport Blvd.	Mobile	AL	36608	(251) 341-5727
KHAN, Pau Za	2370 Hillcrest Rd, Unit J	Mobile	AL	36695	(251) 661-5361
OU, Ying	4045 Atlanta Hwy	Montgomery	AL	36109	(334) 260-7782
OU, Ying	3026 Zelda Rd.	Montgomery	AL	36106	(334) 244-4481
THIT, Jun Hnine Thin M	7076 Atlanta Hwy	Montgomery	AL	36117	(334) 290-4501
THIT, Jun Hnine Thin M	7700 Vaughn Rd.	Montgomery	AL	36117	(334) 290-4920
WANG, Yinghong	2200 Village Drive	Moody	AL	35004	(205) 640-3230
LWIN, Zin Mar	3141 Overton Rd	Mountain Brk	AL	35223	(205) 967-2188
NHKUM, Ring Tey	3220 Woodward Ave.	Muscle Shoals	AL	35661	(256) 389-0080
TUN, Thu Zar	2300 McFarland Blvd	Northport	AL	35476	(205) 339-4232
TUN, Thu Zar	13556 Highway 69 N	Northport	AL	35475	(205) 330-7653
PIANG, Cin Dain	2450 Enterprise Dr.	Opelika	AL	36801	(334) 737-2643
LIN, Gin Sawn	25771 Perdido Beach Blvd	Orange Beach	AL	36561	(251) 980-1404
SINT, Ye Htut Win	6707 HWY 431 S	Owens Cross Roads	AL	35763	(256) 512-0990
SHRING, Salai	115 Commons Way	Oxford	AL	36203	(256) 835-4075
TUN, Kyaw Kyaw Naing	365 Huntley Pkwy	Pelham	AL	35124	(205) 620-0102
NEI, Van	2040 Martin St S	Pell City	AL	35128	(205) 338-3472
LE, Phuong	5408 Summerville Rd	Phenix City	AL	36867	(334) 291-8525
AUNG, Pyone Moh Moh	9515 Vaughn Road	Pike Road	AL	36064	(334) 694-5802
KHAI, Hang Lian	5150 Old Springville Rd	Pinson	AL	35126	(205) 815-5224
AUNG, Pyone Moh Moh	2451 Cobbs Ford Road	Prattville	AL	36066	(334) 285-0227
TIN, Tha	128 W Grand Ave	Rainbow City	AL	35906	(256) 442-2581
Qader, Matthew M	21 Shell Rd	Saraland	AL	36571	(251) 661-5361
AUNG, Nay Win	24540 John T Reid Parkway	Scottsboro	AL	35768	(256) 672-6056
MANG, Thang Suan	10179 Eastern Shore Drive	Spanish Fort	AL	36527	(251) 621-9065
ZAMANG, Avan	165 MCS Boulevard	Sylacauga	AL	35150	(800) 242-1227
TAANG, Pau Sian	1147 U.S Highway 231 South	Troy	AL	36081	(334) 807-5761
KHAI, Hang Lian	7272 Gadsden Hwy	Trussville	AL	35173	(205) 661-1415
SAW, Steven	1101 Southview Lane	Tuscaloosa	AL	35405	(205) 247-7710
CHUNG, Ngun	1190 University Blvd	Tuscaloosa	AL	35401	(205) 247-5044
CHUNG, Ngun	4851 Rice Mine Rd NE Ste 200	Tuscaloosa,	AL	35406	(205) 247-7666
Jl, Roi	784 Montgomery Highway	Vestavia Hills	AL	35216	(205) 824-6005
ZASIAH, Stephen Vantiam	3350 Morgan Drive	Vestavia Hills	AL	35216	(205) 978-9842
THANG, Hrang Lian	3655 W. Anthem Way	Anthem	AZ	85086	(623) 745-3800
PAKATA, Naing	2727 N. Power Road	Mesa	AZ	85215	(480) 396-9282
THA, Biak	4316 S. Signal Butte Rd.	Mesa	AZ	85212	(480) 296-7953
SUUM, Thang Khan	3132 East Camelback Road	Phoenix	AZ	85016	(480) 273-7871
THAWN, Tuan Pian	520 W. Osborn Road	Phoenix	AZ	85013	(602) 274-7422
TUANG, Cin Vel	810 East Glendale Ave	Phoenix	AZ	85020	(602) 331-0134
HAU, Ling Sian	550 E Bell Rd	Phoenix	AZ	85022	(602) 863-4194
HAU, Ling Sian	13440 N. 7th St	Phoenix	AZ	85022	(602) 547-1288
PAR, Tha Neih	4747 East Greenway Road	Phoenix	AZ	85032	(602) 996-5635
NYI, Nyi	4750 E. Indian School Rd	Phoenix	AZ	85018	(602) 840-2161
ABDALLAH, Rawda Hussein	18495 E. Queen Creek Rd.	Queen Creek	AZ	85142	(480) 279-2733
OH, Chris Youngran	40950 N. Ironwood Drive	Queen Creek	AZ	85140	(480) 758-3320
KIM, Yu	2652 Jamacha Rd	El Cajon	CA	92019	(619) 670-0101
YOUNG, Hyon Suk	5727 Kanan Rd	Agoura Hills	CA	91301	(818) 889-5429
WAI, San San	867 Island Dr.	Alameda	CA	94502	(510) 523-4788
HUANG, Mei Ting	2227 South Shore Center	Alameda	CA	94501	(510) 863-9000
BAO, Ye	2600 Fifth Street	Alameda	CA	94501	(510) 523-1804
FAN, Yinwei	200 Alamo Plaza	Alamo	CA	94507	(925) 820-8022
KO, Sandar Aye	103 American Canyon Rd.	American Canyon	CA	94503	(707) 649-5150
Lamigo, Jerry Jansen	3365 Deer Valley Rd	Antioch	CA	94531	(925) 706-4150
GARNER, Porsche	16 Rancho Del Mar	Aptos	CA	95003	(831) 688-2775
MYINT, Ohn M	2550 Bell Road	Auburn	CA	95603	(530) 887-3230
SAN, Tin Tin	2100 Ralston Ave.	Belmont	CA	94002	(650) 591-0235
LWIN, Wai	1100 El Camino Real	Belmont	CA	94002	(650) 596-1730
MAR, Saw Myat	50 Solano Square	Benicia	CA	94510	(707) 745-4047
MARAN, Zau Dan Aung	1444 Shattuck Ave.	Berkeley	CA	94709	(510) 526-3086
HLA, Ye	9467 West Olympic Blvd	Beverly Hills	CA	90212	(310) 553-5734
HUANG, Shun Qin	1450 Howard Ave	Burlingame	CA	94010	(650) 343-3488
CHAE, Chang Hoon	4754 Commons Way	Calabasas	CA	91302	8182230284
KYAINC, Myint	3380 Coach In	Cameron Park	CA	95682	(530) 676-6930
HEIN, Tun Min	950 West Hamilton	Campbell	CA	95008	(408) 871-1272
TUN, Nay	2341 So. Winchester	Campbell	CA	95008	(408) 364-6880
GI, James	22333 Sherman Way	Canoga Park	CA	91303	(818) 883-1230
MYINT, Nyunt Win	16550 Soledad Canyon Rd.	Canyon Country	CA	91387	(661) 252-3838
ZEINALI, Namsoon	7140 Avenida Encinas	Carlsbad	CA	92011	(760) 431-1060
THU YA, Myat	5 Crossroads Blvd	Carmel	CA	93923	(831) 625-8820
DAKHUM, Changbe	4040 Manzanita Ave	Carmichael	CA	95608	(916) 371-5205
CHEN, Sam Wencan	20629 Redwood Road	Castro Valley	CA	94546	(510) 538-3088
KIM, Jin Young	13321 South St.	Cerritos	CA	90701	(562) 860-5635

Zenshi Food Service Counters  
Franchisee List  
As of March 31, 2024

Franchisee Name	Address	City	State	Zip	Phone
MARAN, Margaret	21431 Devonshire St.	Chatsworth	CA	91311	(818) 341-0950
CHEN, Jin Hua	659 E. Palomar St.	Chula Vista	CA	91911	(619) 397-0019
KIM, Joanne W	780 Otay Lakes Rd	Chula Vista	CA	91910	(619) 421-4822
CHO, Htin	5431 Clayton Rd	Clayton	CA	94517	(925) 672-2135
CHOI, Ungdo	2600 Willow Pass Rd	Concord	CA	94519	(925) 689-3240
MA, Oiling	4309 Clayton Road	Concord	CA	94521	(925) 356-2710
ZHAO, Yeying	137 Corte Madera Town Center	Corte Madera	CA	94925	(415) 927-1960
FELIX, Eka	10772 Jefferson Blvd	Culver City	CA	90230	(310) 839-4107
KANG, MyungHye	3827 Culver Ctr	Culver City	CA	90232	(310) 558-4027
CHO, Aung	11030 Jefferson Blvd.	Culver City	CA	90230	(310) 398-1945
WIN, Nay Hlaing	20620 Homestead Road	Cupertino	CA	95014	(408) 253-0112
THEIN, Han	4033 Ball Rd.	Cypress	CA	90630	(714) 827-7947
AUNG, Swai Nandar	85 Westlake Mall	Daly City	CA	94015	(650) 755-0576
MARAN, Ja Shan	3496 Camino Tassajara	Danville	CA	94506	(925) 736-0298
FAN, Yinwei	3496 Camino Tassajara	Danville	CA	94506	(925) 736-0298
OO, Aung Kyaw	2121 Cowell Blvd.	Davis	CA	95618	(530) 792-8500
XU, Hong Yan	1451 W. Covell Blvd	Davis	CA	95616	(530) 757-4540
KAVIPIYA, Shin	815 Canyon Del Rey Blvd.	Del Rey Oaks	CA	93940	(831) 393-2090
MOO, Saw Lan Lar	1235 Stratford Ave	Dixon	CA	95620	(707) 678-7400
LUO, Hui Yu	8626 Firestone Blvd	Downey	CA	90241	(562) 869-2733
KIM, Un H.	9200 Lakewood Blvd	Downey	CA	90240	(562) 869-2042
YA, Zaw Thu	4440 Tassajara Road	Dublin	CA	94568	(925) 551-4710
PAIK, Chung Ja	7499 Dublin Blvd.	Dublin	CA	94568	(925) 556-4034
HLAWN, Ngun	11450 San Pablo Ave.	El Cerrito	CA	94530	(510) 233-8400
WUDOAN, Xiuzhen	11450 San Pablo Ave.	El Cerrito	CA	94530	(510) 233-8400
SHIN, Hyungak	500 N Sepulveda Blvd	El Segundo	CA	90245	(310) 615-0537
LEE, Yeon	125 N. El Camino Real	Encinitas	CA	92024	(760) 942-5472
MO, Wei Lan	17840 Ventura Blvd.	Encino	CA	91316	8183456882
UK, Bual Zahre	2417 E Valley Pkwy	Escondido	CA	92027	(760) 740-0334
ALBERTO, Walter Ramiro	2555 Harris Street	Eureka	CA	95503	(707) 269-0133
SHWE, Mya Thida	5450 Dewey Dr.	Fair Oaks	CA	95628	(916) 904-5356
HONG, Yuri	8925 Madison Ave	Fair Oaks	CA	95628	(916) 965-1034
MAW, Win Min	2401 Waterman Drive	Fairfield	CA	94533	(707) 427-5640
ANDAYA, John Emerson	5051 Business Center Drive	Fairfield	CA	94534	(707) 863-4160
XIA, Lu	1850 Prairie City Road	Folsom	CA	95630	(916) 608-2450
AYE, Kyi Kyi	1850 Prairie City Road	Folsom	CA	95630	(916) 608-2450
BARRON, Carolina Reando	660 South Main St.	Fort Bragg	CA	95437	(707) 964-4079
ALBERTO, Walter Ramiro	701 S Fortuna Blvd	Fortuna	CA	95540	(707) 725-5104
TARANA, No Name Given	921 E. Hillsdale Boulevard	Foster City	CA	94404	(650) 377-0711
BAILEY, Stephen Michael	2010 Freedom Blvd	Freedom	CA	95019	(831) 728-2640
TUN, Myo Min	39100 Argonaut Way	Fremont	CA	94538	(510) 794-1666
CHANG, Hsien-Kuei	3902 Washington Blvd	Fremont	CA	94538	(510) 657-1625
MOE, Alice K.	46848 Mission Blvd.	Fremont	CA	94539	(510) 497-1003
WIN, Si Thu	2201 W Redondo Beach Blvd	Gardena	CA	90247	(310) 538-9008
TUN, Aung Kyaw	905 First St.	Gilroy	CA	95020	(408) 842-6446
THAR, Nyein Aye Kyi	1200 N. Central Ave.	Glendale	CA	91202	8182461752
YI, Carrie Joo	1416 E Colorado St.	Glendale	CA	91205	(818) 548-0945
YI, Carrie Joo	211 N Glendale Ave	Glendale	CA	91202	(818) 549-0035
NAING, Thein	16405 Highway 116	Guerneville	CA	95446	(707) 869-9433
YEE, Bewin	70 North Cabrillo Hwy	Half Moon Bay	CA	94019	(650) 726-1143
SAN, Roi	11873 S. Hawthorne Blvd	Hawthorne	CA	90250	(310) 679-9164
WAI, Thiri	22280 Foothill Blvd	Hayward	CA	94541	(510) 582-0700
NGEH, Eh	1115 Vine Street	Healdsburg	CA	95448	(707) 431-7102
ER, Zaang	4080 San Pablo Ave	Hercules	CA	94547	(510) 322-9030
KUN, Saw Be	715 Pier Ave.	Hermosa Beach	CA	90254	(310) 374-4484
OO, Ne Tun	591 Tres Pinos Road	Hollister	CA	95023	(831) 638-3240
SOE, Min	500 E Manchester Blvd	Inglewood	CA	90301	(310) 677-0286
MAUNG, Lwin Maung	12110 Industry Blvd.	Jackson	CA	95642	(209) 257-0779
YUN, Eric	521 W. Foothill Blvd.	La Canada	CA	91011	(818) 790-0584
LEE, Dong Gu	3233 Foothill Blvd	La Crescenta	CA	91214	(818) 658-1018
YUN, Eric	2675 Foothill Blvd	La Crescenta	CA	91214	(818) 249-5448
LEE, Eunjin	8657 Villa La Jolla Drive	La Jolla	CA	92037	(858) 597-1550
MO, Aiqun	3540 Mt. Diablo Blvd.	Lafayette	CA	94549	(925) 283-0228
THU, Nay Myo	1071 11th Street	Lakeport	CA	95453	(707) 263-8072
LI, Zhi Fu	5951 Del Amo Blvd	Lakewood	CA	90713	(562) 867-7282
HTUN, Mie Mie	67 Lincoln Blvd	Lincoln	CA	95648	(916) 408-0800
LEW, Myint Kyi	4495 First St.	Livermore	CA	94551	(925) 455-2520
AUNG, Htin	2449 W Kettleman Lane	Lodi	CA	95242	(209) 367-7875
KIM, Jihun	6290 E. Pacific Cst Hwy	Long Beach	CA	90803	(562) 795-0167
LI, Zhi Fu	2250 E Carson St	Long Beach	CA	90807	(562) 424-2012
HEIN, Dae War	1930 Lakewood Blvd	Long Beach	CA	90815	(562) 494-4371
HAN, James Kyung Hee	2930 E 4th St.	Long Beach	CA	90814	(562) 434-3899
Sue, Nant	690 Fremont Ave	Los Altos	CA	94024	(650) 948-6648

Zenshi Food Service Counters  
Franchisee List  
As of March 31, 2024

Franchisee Name	Address	City	State	Zip	Phone
PHI, Tha Ra	160 First Street	Los Altos	CA	94022	(650) 941-1801
ZAW, Wunna	2600 S. Vermont Ave.	Los Angeles	CA	90007	(323) 732-3863
THEIN, Win Papa	260 S. La Brea Ave	Los Angeles	CA	90036	(323) 937-3264
MAW, Stephanie	2035 Hillhurst Ave	Los Angeles	CA	90027	(323) 660-0687
MAW, Stephanie	4520 Sunset Blvd	Los Angeles	CA	90027	(323) 662-8107
DOU, Zixin	645 West 9th Street	Los Angeles	CA	90015	(213) 452-0840
NAING, Win	7311 N. Figueroa St.	Los Angeles	CA	90041	(323) 254-5716
YOON, Haejin	8701 Lincoln Blvd	Los Angeles	CA	90045	(310) 649-1526
YOO, Mina	11727 Olympic Blvd.	Los Angeles	CA	90064	(310) 473-5238
LINN, Saw Simon	670 S. Western Ave	Los Angeles	CA	90005	(213) 383-5058
SIN, Peggy Seung Yeo	5245 West Centinela Avenue	Los Angeles	CA	90045	(310) 641-2813
LIN, Jiabin	5080 Rodeo Rd	Los Angeles	CA	90016	(323) 292-0633
Oo, Aung Ni	1730 W Manchester Ave	Los Angeles	CA	90047	(323) 750-3151
PARK, Il Soon	3461 W. Third Street	Los Angeles	CA	90020	(213) 384-6552
AUNG, Zaw Myo	5601 Wilshire Blvd.	Los Angeles	CA	90036	(323) 936-4954
AUNG, Zaw Myo	10861 Weyburn Ave	Los Angeles	CA	90024	(310) 824-5994
MUALIMAH, Mualimah	7257 W Sunset Blvd	Los Angeles	CA	90046	3235128382
MUALIMAH, Mualimah	5429 Hollywood Blvd	Los Angeles	CA	90027	(323) 957-9657
GO, Vonny L.	12057 Wilshire Blvd	Los Angeles	CA	90025	(310) 477-8746
HRANG, Daniel Bawi	3410 W 3rd St.	Los Angeles	CA	90020	(213) 480-1421
HE, Trinity Ying	4760 W Pico Blvd	Los Angeles	CA	90019	(323) 937-4107
PARTINAH, Partinah	10309 W. Olympic Blvd.	Los Angeles	CA	90064	(310) 553-8117
CHANG, Se Ho	11361 National Blvd	Los Angeles	CA	90064	(310) 479-4351
TUN, Jefferson William	8825 S Sepulveda Blvd	Los Angeles	CA	90045	(310) 645-2035
SWE, Thein Thein	470 N. Santa Cruz Ave.	Los Gatos	CA	95030	(408) 354-9708
SILWAL, Krishna Murari	15549 Union Ave.	Los Gatos	CA	95032	(408) 559-5750
DORJANMIL, Bat-Orgil	29211 Heather Cliff Drive	Malibu	CA	90265	(310) 457-2401
ALTANDUSH, Ariunchimeg	6688 Alhambra Ave	Martinez	CA	94553	(925) 933-0540
ALBERTO, Walter Ramiro	1503 City Center Road	Mckinleyville	CA	95519	(707) 840-9770
LIM, Alina Poe	525 El Camino Real	Menlo Park	CA	94025	(650) 847-2901
HUANG, Haiwei	525 El Camino Real	Menlo Park	CA	94025	(650) 847-2901
WIN, Tun Tun	325 S. Sharon Heights	Menlo Park	CA	94025	(650) 854-3056
SEIN, Naw Aye	800 Redwood Hwy Frontage Rd #110	Mill Valley	CA	94941	(415) 360-9016
SHEIN, Khaing Zin	1 Camino Alto Drive	Mill Valley	CA	94941	(415) 388-6216
AUNG, Min	525 El Camino Real	Millbrae	CA	94030	(650) 652-3416
SHEN, Ping	551E. Calavares blvd.	Milpitas	CA	95035	(408) 262-9850
AUNG THU, Su Myat	2001 McHenry ave	Modesto	CA	95350	(209) 571-6280
COLOMA, John Walden	900 Lighthouse Ave	Monterey	CA	93940	(831) 718-2405
TSAI, Peiyu	840 East Dunne Ave.	Morgan Hill	CA	95037	(408) 776-8720
HTUN, Moe Zaw	235 Tennant Station	Morgan Hill	CA	95037	(408) 776-9861
KHAING, War War	645 San Antonio Road	Mountain View	CA	94040	(650) 948-4533
MUN, Ban	570 N. Shoreline	Mountain View	CA	94043	(650) 961-4868
LANDAVERDE, Kemy Carmelina	1750 Miramonte	Mountain View	CA	94040	(650) 903-5850
HLAING, KoKo	580 North Rengstorff Ave	Mountain View	CA	94043	(650) 316-6321
KOKO, Hnin Nwe	3375 Jefferson Square	Napa	CA	94558	(707) 225-3037
NAING, Maung Myo	5877 Jarvis Ave.	Newark	CA	94560	(510) 713-3180
LWIN, Soe Myint	583 N Ventu Park Rd	Newbury Park	CA	91320	(805) 499-6743
Gi, James	19781 Rinaldi St.	Northridge	CA	91326	(818) 832-5955
HLAING, Maung Chit	900 Diablo Ave	Novato	CA	94947	(415) 898-1503
KYU, Pet Wah	5720 Nave Drive	Novato	CA	94949	(415) 881-9256
KOKO, Pye Phyo	6310 College Ave.	Oakland	CA	94618	(510) 985-0012
CHEN, Sam Wencan	5100 Broadway	Oakland	CA	94611	(510) 658-6612
THANG, Ngun	5100 Broadway	Oakland	CA	94611	(510) 658-6612
CI, John Lal	101 Old Grove Road	Oceanside	CA	92057	(760) 754-1035
DEL SOCORRO, Maria Irene	2 CAMINO SOBRANTE	Orinda	CA	94563	(925) 254-8792
YEE, Bewin	1380 Linda Mar Blvd.	Pacifica	CA	94044	(650) 359-6707
WIN, Tin Cho	709 Hickey Blvd	Pacifica	CA	94044	(650) 290-5014
MU, San	12 Manor Plaza	Pacifica	CA	94044	(650) 359-2751
OO, Kristine	2811 Middlefield Road	Palo Alto	CA	94306	(650) 321-8400
HAUSER, Richard	701 Sonoma Mountain Parkway	Petaluma	CA	94954	(707) 765-1198
AYE, May Saw	389 South McDowell Road	Petaluma	CA	94954	(707) 766-9097
LONE, Nai Saikie	3955 Missouri Flat Rd.	Placerville	CA	95667	(530) 295-2972
HUANG, Shaona	707 Contra Costa Blvd.	Pleasant Hill	CA	94523	(925) 689-2044
CHO, Htin	1978 Contra Costa Blvd.	Pleasant Hill	CA	94523	(925) 688-0680
WAI, Thiri	1701 Santa Rita Rd	Pleasanton	CA	94566	(925) 417-5530
OO, Win Mar	6790 Bernal Ave.	Pleasanton	CA	94566	(925) 846-8644
Ramirez, Jesus Preciado	17539 Vierra Canyon Rd	Prunedale	CA	93907	(831) 663-6702
THAUNT, Saw Sha	10635 Folsom Blvd	Rancho Cordova	CA	95670	(916) 364-4940
JANG, Meme	10635 Folsom Blvd	Rancho Cordova	CA	95670	(916) 364-4940
TUN, Myat Mon	1071 El Camino Real	Redwood City	CA	94063	(650) 306-1900
OO, Aung Zaw	6340 Commerce Blvd	Rohnert Park	CA	94928	(707) 584-8942
SAN, Htike Htike	989 Sunrise Rd	Roseville	CA	95661	(916) 773-4001
KHINE, Kyaw Kyaw	8640 Sierra College Blvd.	Roseville	CA	95661	(916) 783-2225

Zenshi Food Service Counters  
Franchisee List  
As of March 31, 2024

Franchisee Name	Address	City	State	Zip	Phone
PHAU RE, Doi La	8640 Sierra College Blvd.	Roseville	CA	95661	(916) 783-2225
LI, Zhuhui	1080 Pleasant Grove Blvd.	Roseville	CA	95678	(916) 783-2119
KYI, Thidar	2255 Gellert Blvd	S San Francisco	CA	94080	(650) 588-9005
WIN, Kyaw Zin	1546 N Main St	Salinas	CA	93906	(831) 442-7500
NA, Hyeon Mi	1516 Constitution Blvd.	Salinas	CA	93905	(831) 444-3625
MUNOZ, Shuling Xue	838 Sir Francis Drake Bl	San Anselmo	CA	94960	(415) 456-9157
MUNOZ, Shuling Xue	100 Center Blvd.	San Anselmo	CA	94960	(415) 455-8186
HLA, Tin Tin	2020 Market St.	San Francisco	CA	94114	(415) 861-7660
MAY, Kyu Kyu	1335 Webster Street	San Francisco	CA	94115	(415) 921-4557
OO, Myo T	15 Marina Blvd	San Francisco	CA	94123	(415) 563-4946
KO, Htet Myat	5290 Diamond Heights	San Francisco	CA	94131	(415) 824-7744
HTIN, Yuya	375 32nd Ave	San Francisco	CA	94121	(415) 683-4102
WIN, Tin Cho	4950 Mission Street	San Francisco	CA	94112	(415) 587-7200
MYAT, Khine Su	730 Taraval Street	San Francisco	CA	94116	(415) 665-4136
LWIN, Wai	2300 16th St.	San Francisco	CA	94103	(415) 575-1120
MA, Oixing	2350 Noriega Street	San Francisco	CA	94122	(415) 665-4565
CHEN, Mei Chu	735 7th Ave	San Francisco	CA	94118	(415) 683-4070
KYAW, Myo Myint	850 La Playa St.	San Francisco	CA	94121	(415) 387-4664
WU, Mee Mee	298 King St.	San Francisco	CA	94107	(415) 633-1001
WU, Mee Mee	145 Jackson St.	San Francisco	CA	94111	(415) 982-3112
HEIN, Maung	6150 BOLLINGER ROAD	San Jose	CA	95129	(408) 257-3070
NAUNG, Naung	5760 Cottle Road	San Jose	CA	95123	(408) 362-9255
VARDEH, Rounita	1300 W. San Carlos	San Jose	CA	95126	(408) 882-0999
WIN, Zar Ni	1530 Hamilton Ave.	San Jose	CA	95125	(408) 264-1523
WIN, Zar Ni	1489 Bird Ave	San Jose	CA	95125	(408) 288-2352
HTUN, Aye Aye Maw	6477 Almaden Express Way	San Jose	CA	95120	(408) 268-3511
THET, Naing	179 Branham Lane	San Jose	CA	95136	(408) 227-4961
AYE, Tin Nwe	5146 Stevens Creek Blvd.	San Jose	CA	95129	(408) 556-0610
LIN, Zin Phyu Phyu	1663 Branham Lane	San Jose	CA	95118	(408) 267-0550
DENG, Xiao Bao	4950 Almeden Expressway	San Jose	CA	95118	(408) 267-1200
NAING, Thet	2558 Berryessa Road	San Jose	CA	95132	(408) 272-2287
SHAO, Tie	1305 Winchester Blvd	San Jose	CA	95117	(408) 374-2954
MAUNG, Kenny	11861 Berryessa Rd	San Jose	CA	95131	(408) 272-2287
SONE, Pye	2980 E. Capitol Expressway	San Jose	CA	95148	(408) 274-5957
KANG, Hunsuk	306 Twin Oaks Valley Road	San Marcos	CA	92078	(760) 891-0607
MAUNG, Myint	100 De Anza Blvd	San Mateo	CA	94402	(650) 341-4039
MYO, Myo	1655 El Camino Real	San Mateo	CA	94402	(650) 341-0374
HUANG, Mei Ting	950 Las Gallinas Ave	San Rafael	CA	94903	(415) 479-6111
OO, Aung Zaw	700 B Street	San Rafael	CA	94901	(415) 456-1453
HLA, Bhone	11050 Bollinger Canyon Rd.	San Ramon	CA	94582	(925) 359-2001
KO, Aye Ko	2505 San Ramon Valley	San Ramon	CA	94583	(925) 831-9515
HUANG, Allen Shu-Xian	11050 Bollinger Canyon Road	San Ramon	CA	94582	(925) 359-2001
LI, Brang	3970 Rivermark Plaza	Santa Clara	CA	95054	(408) 855-0980
TUN, Nay	2760 Homestead Rd	Santa Clara	CA	95051	(408) 248-0563
CHAN, Davey Soe	2605 The Alameda	Santa Clara	CA	95050	(408) 244-6873
HTWE, Yin Thwe Thwe	2111 Mission St	Santa Cruz	CA	95060	(831) 429-9811
SEIN, Chuck Myo	2751 Fourth Street.	Santa Rosa	CA	95405	(707) 522-1455
SHEIN, Khaing Zin	1799 Marlow Rd	Santa Rosa	CA	95401	(707) 528-3062
HTAY, Khin Maung	1211 W. College Ave	Santa Rosa	CA	95401	(707) 546-6877
KHIN, Su Su	2785 Yulupa Ave.	Santa Rosa	CA	95405	(707) 524-4646
CHEN, Xiangwu	1211 W. College Ave	Santa Rosa	CA	95401	(707) 546-6877
HTAY, Maung Myint	100 Calistoga Rd	Santa Rosa	CA	95409	(707) 539-1711
HTAY, Maung Myint	2300 Mendocino Ave.	Santa Rosa	CA	95403	(707) 569-3100
GUO, Yanyuan	12876 Saratoga Sunnyvale Rd	Saratoga	CA	95070	(408) 867-0180
HTWE, Yin Thwe Thwe	253 Mount Hermon Road	Scotts Valley	CA	95066	(831) 438-7431
YIN, Zhesheng	12470 Seal Beach Blvd.	Seal Beach	CA	90740	(562) 598-3128
YAW, Htoi	406 North Main St.	Sebastopol	CA	95472	(707) 823-1101
PHYU, Aye Myat	477 West Napa	Sonoma	CA	95476	(707) 996-0633
TUN, Zin Sabai	1291 Sanguinetti Road	Sonora	CA	95370	(209) 533-7810
AYE, Myo	2720 41st Ave.	Soquel	CA	95073	(831) 477-7212
LWIN, San	1745 Garfield Ave	South Pasadena	CA	91030	6267995790
THET, Myat Noe	1026 Hunt Ave.	St. Helena	CA	94574	(707) 968-3620
WIN, Htwe	2808 Country Club Blvd.	Stockton	CA	95204	(209) 461-5555
OO, Yi Yi	6445 North Pacific Ave.	Stockton	CA	95207	(209) 472-8600
LIN, Mao Shu	10455 Sunland Blvd	Sunland	CA	91040	(818) 352-4544
AYE, Thin Thin	150 E. El Camino Real	Sunnyvale	CA	94087	(408) 732-1259
KO, Htet Myat	639 S. Bernardo Ave.	Sunnyvale	CA	94087	(408) 732-5900
YAO, Gang	785 E. El Camino Real	Sunnyvale	CA	94087	(408) 481-3300
SOE, Yan Naing	1801 West 11th St.	Tracy	CA	95376	(209) 830-2950
MYAT, May Thet	3051 Countryside Drive	Turlock	CA	95380	(209) 669-2725
WEIGHTMAN, Matthew Charles	653 South State St.	Ukiah	CA	95482	(707) 467-2700
KYAW, Aung Myo	1790 Decoto Rd	Union City	CA	94587	(510) 429-9090
MAR, Saw Myat	122 Robles Way	Vallejo	CA	94591	(707) 554-4467

Zenshi Food Service Counters  
Franchisee List  
As of March 31, 2024

Franchisee Name	Address	City	State	Zip	Phone
TUN, Soe	774 Admiral Callahan Ln	Vallejo	CA	94590	(707) 554-8035
WIN, Maung San	710 Bancroft Rd.	Walnut Creek	CA	94598	(925) 937-8537
YI, Kwang San	22915 Victory Blvd.	West Hills	CA	91307	8187168199
WIN, Si Thu	1233 N. La Brea	West Hollywood	CA	90038	(323) 876-8790
CHAE, Jeong A An	9040 W. Beverly Blvd.	West Hollywood	CA	90048	3102781351
XIONG, Gang	14919 Whittier Blvd	Whittier	CA	90605	(562) 945-3779
XIONG, Gang	11825 Whittier Blvd	Whittier	CA	90601	(562) 692-4565
MOE, Kyaw Thet	845 South Main Street	Willits	CA	95490	(707) 459-5862
NGEH, Eh	9080 Brooks Rd.	Windsor	CA	95492	(707) 837-2000
KOIRALA, Hareram	1200 S. Buckley Road	Aurora	CO	80017	(303) 750-6802
KIM, Eunsook	6100 South Gun Club Road	Aurora	CO	80016	(803) 400-4870
OH, Hyun Sook	1677 S. Havana	Aurora	CO	80012	(303) 481-2279
THANG, Tin	880 S. Perry Street	Castle Rock	CO	80104	(303) 688-5028
OH, Hyun Sook	7375 E Arapahoe Road	Centennial	CO	80112	(303) 771-8707
BIK, Van Tha	4405 Centennial Blvd	Colorado Springs	CO	80907	(719) 593-8805
BIK, Van Tha	3275 West Colorado Ave	Colorado Springs	CO	80904	(719) 473-6446
ZAW, Jessica Khine	1920 South Nevada Ave	Colorado Springs	CO	80905	(719) 636-5255
ZAW, Jessica Khine	840 Village Ctr Dr	Colorado Springs	CO	80919	(719) 548-1404
CHIN, No Thluai	8750 North Union Blvd	Colorado Springs	CO	80920	(719) 282-9066
KAP, Do Lian	2890 N. Powers Blvd.	Colorado Springs	CO	80922	(719) 573-4860
KAP, Do Lian	6520 S. Academy Blvd	Colorado Springs	CO	80906	(719) 527-4807
KAP, Do Lian	1425 S. Murray Blvd.	Colorado Springs	CO	80916	(719) 591-0880
PIANG, Cing Lam	1121 N. Circle Drive	Colorado Springs	CO	80909	(719) 573-6023
CUNG, Biak Tha	2660 N. Federal Blvd	Denver	CO	80211	(303) 477-5091
HUNG, David	3800 W. 44th Ave	Denver	CO	80211	(303) 458-8418
KIM, Uichan	2150 S. Downing St.	Denver	CO	80210	(303) 722-6117
KIM, Uichan	757 E. 20th Ave	Denver	CO	80205	(303) 861-8169
KIM, Eunsook	323 South Broadway	Denver	CO	80209	(303) 744-8531
KYAW, Zwe Htet	311 W. College Dr	Durango	CO	81301	(970) 382-2224
ENG, Lal	220 South Elizabeth Street	Elizabeth	CO	80107	(303) 646-0336
CHIN, No Thluai	7655 McLaughlin Rd	Falcon	CO	80831	(719) 495-7300
CAJUMBAN, Errol King De	6925 Mesa Ridge Parkway	Fountain	CO	80817	(719) 322-9351
TUN, Ko Ko	8434 South Kipling Parkway	Littleton	CO	80127	(720) 922-0305
TUN, Ko Ko	8355 N Rampart Range Rd	Littleton	CO	80125	(303) 242-3563
HTAY, Aung	181 W. Mineral Avenue	Littleton	CO	80120	(303) 218-2100
PARK, Kyoung Sook	9229 E Lincoln Avenue	Lone Tree	CO	80124	(303) 649-9111
CHIN, No Thluai	624 Highway 105	Monument	CO	80132	(719) 488-1187
KOIRALA, Hareram	11051 S Parker Road	Parker	CO	80134	(303) 840-1604
KHUP, Pau Khen	1017 N. Market Plaza	Pueblo	CO	81007	(719) 547-2108
SUNG, Thluai	1601 West Us Highway 50 # 1	Pueblo	CO	81008	(719) 543-5921
CUNG, Ai	1601 Coalton Road	Superior	CO	80027	(303) 543-1153
BIK, Zaw	3900 Wadsworth Blvd	Wheatridge	CO	80033	(303) 456-2670
BO, Thidar	16193 N W US Hwy 441	Alachua County	FL	32615	(386) 418-3435
KIM, Young C.	851 S State Road 434	Altamonte Springs	FL	32714	(407) 522-1100
ZAW, Han Lin	482 E. Altamonte Dr.	Altamonte Springs	FL	32701	(407) 260-9973
CUANG, Van Nei	6434 N Us Highway 41	Apollo Beach	FL	33572-1804	(813) 649-1280
CUANG, Van Nei	5052 N Highway 41	Apollo Beach	FL	33572	(813) 641-2377
CING, Ning Ngaih Khawm	540 S. Hunt Club Blvd	Apopka	FL	32703	(407) 862-5255
THANG, Pau En	1545 Rock Springs Rd.	Apopka	FL	32712	(407) 880-4040
LIANSANG, Khamsawm	3080 W. KELLY PARK RD.	Apopka-Orange	FL	32712	(407) 464-0804
MUNG, Lian	2551 SE Highway 70	Arcadia	FL	34266	(863) 494-0999
KHANG, Soe Min	775 Highway 559	Auburndale	FL	33823	(863) 984-0510
PAIHSAWH, Van Bawi Luai	606 Havendale Blvd	Auburndale	FL	33823	(863) 551-9766
HERRERA, Aleida Ingrid	4975 Avila Ave	Ave Maria	FL	34142	(239) 304-3269
KAP, Pau Lian	2952 Aventura Blvd	Aventura-Dade	FL	33180	(305) 792-1429
LINN, Nay Maung	42051 Cypress Parkway	Babcock Ranch	FL	33982	(239) 567-0903
THONGSA, Suphachai	255 East Van Fleet Drive	Bartow	FL	33830	(863) 534-1560
WIN, Sandar	7431 N. Federal Hwy	Boca Raton	FL	33487	(561) 241-9700
OO, Kyaw Zan	1968 NE Fifth Ave	Boca Raton	FL	33431	(561) 750-9476
ZAW, Khin	4141 N. Federal Hwy	Boca Raton	FL	33431	(561) 361-0529
THITE, Saw Min	21230 St. Andrews Blvd.	Boca Raton	FL	33433	(561) 544-2422
KHUP, Gin Lam	5050 Champion Blvd	Boca Raton	FL	33496	(561) 981-5390
LIAN, Thang Ngaih	11650 W. Palmetto Park Rd	Boca Raton	FL	33428	(561) 470-9370
MANG, Cing Kham	1001 South Federal Highway	Boca Raton	FL	33432	(561) 417-2445
NGE, Maung	3003 Yamato Rd. Suite C9	Boca Raton	FL	33434	(561) 241-5005
CHAI, Bee Lan	9720 Clint Moore Rd.	Boca Raton	FL	33496	(561) 218-6114
CHAI, Bee Lan	9846 Glades Rd	Boca Raton	FL	33434	(561) 852-5580
PI, Nang	1339 W. Palmetto Park Rd.	Boca Raton	FL	33486	(561) 362-5305
THANG, Hau Thawn	22973 State Rd 7 South	Boca Raton	FL	33428	(561) 488-5994
THANG, Hau Thawn	7060 W Palmetto Park Rd	Boca Raton	FL	33433	(561) 338-0648
THEIN, Hla	5100 Pine Island Rd. NW	Bokeelia	FL	33922	(239) 558-6088
SOE, Myat Zay Yar	12900 Trade Way Four	Bonita Springs	FL	34135	(239) 992-7508
KHIN, BD Kyaw Moe	24600 S Tamiami Trl Ste 300	Bonita Springs	FL	34134	(239) 948-1164

Zenshi Food Service Counters  
Franchisee List  
As of March 31, 2024

Franchisee Name	Address	City	State	Zip	Phone
MUNG, Pau Khan	26841 Tamiami Trail	Bonita Springs	FL	34134	(239) 992-0105
YANG, Xiaojiao	3304 Bonita Beach Road	Bonita Springs	FL	34134	(239) 495-1600
KHUP, Daniel Cin Khual	8780 Boynton Beach Blvd.	Boynton Beach	FL	33472	(561) 734-3020
PLEASANTS, MONTY	6627 W. Boynton Beach Blvd	Boynton Beach	FL	33437	(561) 731-2065
KHAI, Thang Lian	4770 N Congress Ave	Boynton Beach	FL	33426	(561) 868-5530
LIAN, Pau Suan	10935 Jog Road	Boynton Beach	FL	33437	(561) 734-6252
KHAI, Thang Khan	8340 Jog Rd	Boynton Beach	FL	33437	(561) 734-6252
HTIKE, Htike Aung	12425 Hagen Ranch Rd.	Boynton Beach	FL	33437	(561) 292-4489
TUN, Saw Win	1005 Gateway Blvd	Boynton Beach	FL	33426	(561) 732-6148
TUN, Saw Win	501 SE 18th Ave	Boynton Beach	FL	33435	(561) 292-4080
LIN, Zam Go	133 N Congress Ave	Boynton Beach	FL	33426	(561) 364-3707
TUN, Phyo Myint	4240 53rd Avenue East	Bradenton	FL	34203	(941) 758-4093
CHEN, ChinDeng	3913 Manatee Ave W.	Bradenton	FL	34205	(941) 746-1660
AYE, Nilar	7290 55th Ave. E	Bradenton	FL	34203	(941) 727-8808
AYE, Nilar	11205 East State Road 70	Bradenton	FL	34202	(941) 727-4180
AYE, Nilar	13150 SR 64 East	Bradenton	FL	34212	(941) 744-0640
SUI, Tha Nei	5001 E State Rd. 64	Bradenton	FL	34208	(941) 744-0866
KIM, Cung Rem	14605 SR 70	Bradenton	FL	34202	(941) 751-1325
THANG, Bawi Min	7310 Manatee Ave W	Bradenton	FL	34209	(941) 792-1213
HU, Richard	8330 Market St.	Bradenton	FL	34202	(941) 907-6600
WIN, Thein Htay	6030 14th St. W	Bradenton	FL	34207	(941) 756-3455
MUNG, Dai Kham	4651 Cortez Rd. West	Bradenton	FL	34210	(941) 792-7195
KHUP, Gin Suan	1755 Lakewood Ranch BLvd	Bradenton	FL	34211	(941) 745-5677
BAH, Zaw	949 E Bloomingdale Ave	Brandon	FL	33511	(813) 654-2598
THEIN, Hla	1616 Cape Coral Pkwy W # 5	Cape Coral	FL	33914	(239) 945-6222
PHOO, Khine Thazin	3015 S.W. Pine Island Rd.	Cape Coral	FL	33991	(239) 282-5515
PAWLSUK, Michael	1631 del Prado Blvd S	Cape Coral	FL	33990	(239) 772-3332
PAWLSUK, Michael	2481 Del Prado Blvd. N.	Cape Coral	FL	33909	(239) 573-1706
PIANG, Thang San	1735 NE Pine Island Rd.	Cape Coral	FL	33909	(239) 573-0818
OO, Aung Zin	2420 Santa Barbara Blvd	Cape Coral	FL	33914	(239) 574-6395
OO, Aung Zin	127 Cape Coral Parkway West	Cape Coral	FL	33914	(239) 540-0137
SANG KUNG, Om Thang	100 Hancock Bridge Pkwy W.	Cape Coral	FL	33991	(239) 458-8900
WIN, Ma Kyi Kyi	3385 S US Highway 17/92 Suite 181	Casselberry	FL	32707	(407) 831-2020
WIN, Ma Kyi Kyi	1455 State Road. 436, Suite221	Casselberry	FL	32707	(407) 673-0162
THAWNG, Simon Chin	1921 North Belcher Plaza	Clearwater	FL	33763	(727) 712-3450
KEUH, Thang	1520 N. McMullen Booth Rd.	Clearwater	FL	33759	(727) 725-4900
HRE, Jonathan Tin	1555 S Highland Ave	Clearwater	FL	33756	(727) 442-5511
LUAI, Za Kip	2514 N. McMullen Booth Rd.	Clearwater	FL	33761	(727) 723-0281
MANG, Ngun Hre	619 South Ft. Harrison Ave.	Clearwater	FL	33756	(727) 443-5700
CIN, Tuan Za	4849 Coconut Creek Pkwy	Coconut Creek	FL	33066	(954) 975-2490
CIN, Thang Suan	6570 N State Rd 7	Coconut Creek	FL	33073	(954) 425-0400
CIN, Thang Suan	4760 W. Hillsboro Blvd.	Coconut Creek	FL	33073	(954) 422-5485
LIAN, Zam Khan	5365 Lyons Rd	Coconut Creek	FL	33073	(954) 427-0563
THU, Aung	5656 South Flamingo Rd.	Cooper Ciity	FL	33330	(954) 434-8240
THANG, Lian Thawn	1500 Douglas Rd	Coral Gables	FL	33134	(305) 445-3221
TUNG, Hang Deih	1401 Monza Ave.	Coral Gables	FL	33146	(305) 667-1681
PIANG, David Thawng Lam	2551 S. Le Jeune Rd.	Coral Gables	FL	33134	(305) 445-2641
MOE, Zaw Zaw	1400 Coral Ridge Dr.	Coral Springs	FL	33071	(954) 346-1705
THANG, Hang Suan	2201 North University Drive	Coral Springs	FL	33071	(954) 757-2296
LIAN, Khup Vang	8160 WILES ROAD	CORAL SPRINGS	FL	33067	(954) 753-3307
HTAY, Myint	5950 Coral Ridge Drive	Coral Springs	FL	33076	(954) 757-4405
HTAY, Myint	1285 North University Drive	Coral Springs	FL	33071	(800) 242-1227
DIM, Lai	11600 W. Sample Rd.	Coral Springs	FL	33065-2646	(954) 509-5288
PAU, Suan Thawn	6270 W. Sample Rd.	Coral Springs	FL	33067	(954) 344-5560
KHEN, Thang Cin	10701 Wiles Rd.	Coral Springs	FL	33076	(954) 796-2090
KAM, Zam Khan	18485 S. Dixie Highway	Cutler Bay	FL	33157	(305) 235-9684
MUAN, Cing Sian	20951 Old Cutler Road	Cutler Bay	FL	33189	(863) 688-1188
THANG, Lal	11830 US Hwy 301	Dade City	FL	33525	(352) 521-3017
THAWNG, Steven	39883 Hwy 27	Davenport	FL	33837	(863) 421-9157
KIM, Thang	13700 State Rd. 84	Davie	FL	33325	(954) 472-0018
HLAING, Chan Mya Aye	5997 Stirling Rd.	Davie	FL	33314	(954) 581-4393
KHAM, Joseph	4901 SW 148th Ave.	Davie	FL	33330	(954) 680-1900
HANG, Thang Sian	4701 S University Dr.	Davie	FL	33328	(954) 430-6330
LIAN, Vung San	8842 W. State Rd 84	Davie	FL	33324	(954) 472-4511
KIM, Du	2595 N. Atlantic Ave.	Daytona Beach	FL	32118	(386) 677-3098
LO, Dai	1500 BEVILLE RD.	DAYTONA BEACH	FL	32114-5647	(386) 281-4623
KIM, Thuam Khan	1850 Ridgewood Ave	Daytona Beach	FL	32117	(386) 677-7161
AUNG, Nyein Chan	2630 LPGA Blvd	Daytona Beach	FL	32124	(386) 274-3188
NU, Hoih	3044 S Atlantic Ave	Daytona Beach Shores	FL	32118	(386) 788-7773
ZAW, Khin	150 S. Federal Hwy	Deerfield Beach	FL	33441	(954) 427-5537
UK, Van	3740 W. Hillsboro Blvd.	Deerfield Beach	FL	33442	(954) 481-2266
MUNG, Cia	1337 S Military Trl	Deerfield Beach	FL	33442	(954) 427-5828
LIN, Gary Tao	555 NE 5th Ave.	Delray Beach	FL	33483	(561) 272-9460

Zenshi Food Service Counters  
Franchisee List  
As of March 31, 2024

Franchisee Name	Address	City	State	Zip	Phone
KHUP, Daniel Cin Khual	1538 S. Federal Hwy	Delray Beach	FL	33483	(561) 272-1291
NI, Ruth Ni	4771 W Atlantic Ave	Delray Beach	FL	33445-3838	(561) 498-0500
MANG, Khup Mun	16130 Jog Rd.	Delray Beach	FL	33446	(561) 495-1367
Drawitz, Annie Mueanfan	13860 South Jog Rd	Delray Beach	FL	33446	(561) 498-2229
Drawitz, Annie Mueanfan	9239 Atlantic Ave	Delray Beach	FL	33446	(561) 498-1285
THANG, Thawng Lian	7550 NW 104th Ave	Doral	FL	33178	(305) 418-9751
THANG, Thawng Lian	8455 NW 53rd Terrace	Doral	FL	33166	(305) 594-5574
LIANUKTHANG, Dolly Rosemary	2970 S. Ridgewood Ave	Edgewater	FL	32141	(386) 427-6022
SAW, Zay Yar	55 N Indiana Ave	Englewood	FL	34223	(941) 473-5441
Par, Mary Sui Cin	1500 Placida Rd Ste C	Englewood	FL	34223	(941) 475-8823
SANG, OBED	21301 S. Tamiami Trail	Esteros	FL	33928	(239) 948-1174
THIDA, Myat	20311 Grande Oak Shoppes Blvd.	Esteros	FL	33928-7662	(239) 495-8031
LALREMLIANA, FNU	1421 Sadler Rd.	Fernandina Beach	FL	32034	(904) 277-4911
MYINT, Sein Maung	414 Beach Village Dr.	Flagler Beach	FL	32136	(386) 517-2776
LIN, Nay	865 Hibernia Road, Suite 200	Fleming Isle	FL	32003	(904) 529-1250
WONG, Talk Kam	11600 Gladiolus Dr.	Fort Myers	FL	33908	(239) 437-3674
HTOO, Myo Kyaw	11851 Palm Beach Blvd.	Fort Myers	FL	33905	(239) 690-9565
KHIN, BD Kyaw Moe	19100 S. Tamiami Trail	Fort Myers	FL	33908	(239) 432-2522
KO, Khin	15880 Summerlin Rd	Fort Myers	FL	33908	(239) 433-0297
THANG, Hau Kap	2160 McGregor Blvd	Fort Myers	FL	33901	(239) 332-2403
SAWM, Nang Za	1415 East Sunrise Blvd	Fort Lauderdale	FL	33304	(954) 888-8915
SAWM, Nang Za	2501 East Sunrise Blvd.	Fort Lauderdale	FL	33304	(954) 390-0225
DAL, Khup Sian	601 South Andrews Ave	Fort Lauderdale	FL	33301	(954) 728-8330
DAL, Khup Sian	1940 Cordova Rd.	Fort Lauderdale	FL	33316	(954) 847-2844
NANG, Lian Suan	6525 Nova Drive	FORT LAUDERDALE	FL	33317	(954) 423-9599
BAWI, Hau	10018 Griffin Rd.	Fort Lauderdale	FL	33328	(954) 434-5728
DULA, Lalzam	3400 N. Federal Hwy	Fort Lauderdale	FL	33306	(954) 564-9612
SUAN, Hau Z	3102 Griffin Rd	Fort Lauderdale	FL	33312	(954) 961-0717
TUANG, Kap Khan	15801 Sheridan Street	Fort Lauderdale	FL	33331	(954) 442-6869
SANG, OBED	16980 Alico Mission Way, Suite 403	Fort Myers	FL	33908	(239) 489-0134
HTOO, Myo Kyaw	7950 Dani Drive	Fort Myers	FL	33966	(239) 274-1226
MAUNG, Harry Thiha	4600 Summerlin Rd.	Fort Myers	FL	33919	(239) 939-1771
MYINT, Moe Saw	20321 Summerlin Rd	Fort Myers	FL	33908	(239) 454-0145
KAO, Yun Cheng	6900 Daniels Pkwy Ste 19	Fort Myers	FL	33912	(239) 768-2101
AUNG, Ye Moe	13401 Summerlin Road	Fort Myers	FL	33919	(239) 481-2242
LINN, Nay Maung	14561 Palm Beach Blvd	Fort Myers	FL	33905	(239) 690-0554
MUNG, Lian Deih	13121 Paul J. Doherty Pkwy	Fort Myers	FL	33913	(239) 561-2224
TUN, Thi Han	5997 S. Pointe Blvd., # 106	Fort Myers	FL	33919	(239) 415-1515
KHUAL, Pau Suan	13650 Fiddlesticks Blvd	Fort Myers	FL	33912	(239) 768-1710
THAWN, En	2517 S. Federal Hwy	Fort Pierce	FL	34982	(772) 595-1700
LAL, Biak Thasinhang	1851 N US Hwy 1	Fort Pierce	FL	34946	(772) 595-5321
NANG, Lian Suan	3500 Davie Blvd.	Ft. Lauderdale	FL	33312-3488	(954) 791-2180
THANG, Kam Tung Mung	19441 Sheridan St.	Ft. Lauderdale	FL	33332	(954) 434-1668
HTIN, Win	5200 SW 34th St.	Gainesville	FL	32608	(352) 375-1094
Ngone, Phoo Pwint Thet	3930 South West Archer Road	Gainesville	FL	32608	(352) 379-7271
LWIN, Tint	3720 NW 13th St.	Gainesville	FL	32609	(352) 335-3785
LWIN, Tint	1302 North Main St.	Gainesville	FL	32601	(352) 375-2919
MAW, Tin Mar	5200 NW 43rd St. Ste 401	Gainesville	FL	32606	(352) 375-5310
MAW, Tin Mar	9200 NW 39th Ave.	Gainesville	FL	32606	(352) 375-1285
OO, Janet Thet	5801 SW 75th St.	Gainesville	FL	32608	(352) 375-1110
OO, Janet Thet	3100 SW 35th Blvd	Gainesville	FL	32608	(352) 367-4324
TIN, Zaw Min	SW 2755 91st St.	Gainesville	FL	32608	(352) 331-1037
TIN, Zaw Min	3315 W University Ave	Gainesville	FL	32607	(352) 372-4276
WIN, Tun Tun	4115 NW 16th Boulevard	Gainesville	FL	32605-3505	(352) 336-1488
MARAN, Hkamhtun	203 NW 13th Street	Gainesville	FL	32601	(352) 375-2775
SANG, Ning Sian	11200 S. Military Trail	Golf	FL	33436	(561) 903-3141
LIAN, Dal Za	4849 South Military Trail	Greenacres	FL	33463	(561) 304-2727
MARAN, Brangshawng	6790 Forest Hill Blvd	Greenacres	FL	33413	(561) 641-4500
SANG, Thang Sian	617 US Highway 17 92 W	Haines City	FL	33844	(863) 419-0331
SING, Pau Khan	3339 W. 80th St	Hialeah	FL	33018	(305) 819-2600
SING, Pau Khan	1290 West 68th Street	Hialeah	FL	33014	(305) 820-8885
MANG, Thang S.	155 E. 2nd Ave	Hialeah	FL	33010	(305) 863-8133
MANG, Thang S.	3251 East 2nd Avenue	Hialeah	FL	33013	(305) 888-1033
PAU, Kham Khup	8601 NW 186th St.	Hialeah	FL	33015	(305) 829-0423
PAU, Kham Khup	18496 NW 67th Ave	Hialeah	FL	33015	(305) 822-4636
PAU, Kham Khup	2414 W. 60th Street	Hialeah	FL	33016	(305) 557-0566
SANGG, Vum Sawm	1585 W. 49th St.	Hialeah	FL	33010	(305) 828-2180
FENG, Huanning	3685 W 85TH PATH	HIALEAH	FL	33018	(800) 242-1227
MAUNG, Steven Nyein-Chan	11750 SE Federal Hwy	Hobe Sound	FL	33455	(772) 545-5660
MAUNG, Steven Nyein-Chan	8605 SE Federal Hwy	Hobe Sound	FL	33455	(772) 545-2076
SING, Lian En	9359 Sheridan St.	Hollywood	FL	33024	(954) 433-2262
HLAING, Chan Mya Aye	5211 Sheridan Street	Hollywood	FL	33021	(954) 987-6331
PUM, Mang	6901 Taft St.	Hollywood	FL	33024	(954) 961-1770

Zenshi Food Service Counters  
Franchisee List  
As of March 31, 2024

Franchisee Name	Address	City	State	Zip	Phone
Huynh, Hung Tuan	10450 Pines Blvd	Hollywood	FL	33026	(954) 437-2457
MINN, Aye	1740 Polk St	Hollywood	FL	33020	(954) 927-7879
MUNG, Jason Thang Zam	3251 Hollywood Blvd	Hollywood	FL	33021	(954) 964-5005
CHIN, Vin Choeng	3900 E. Bay Dr.	Holmes Beach	FL	34217	(941) 778-5422
ZAYYA, Aung	23300 SW 112th Avenue	Homestead	FL	33032	(305) 257-4090
THANG, Kham Sawm	3060 N.E. 41st Terrace	Homestead	FL	33033	(305) 242-0954
DIM, Niang Khan	891 N. Homestead Blvd	Homestead	FL	33030	(305) 242-1500
NUAM, Niang Deih	2950 NE. 8th St.	Homestead	FL	33033	(305) 242-2679
LIN, Harry	83268 Overseas Hwy	Islamorada	FL	33036	(305) 664-4890
KAWAMURA, Renato Akio	1764 NE Jensen Beach Blvd.	Jensen Beach	FL	34957	(772) 225-3704
MANG, Kam Lam	4231 N.W. Federal Highway	Jensen Beach	FL	34957	(772) 692-7090
THANG, Robert Cingo	6330 West Indiantown Rd	Jupiter	FL	33458	(561) 741-1220
THANG, Robert Cingo	17400 Alternate A1A	Jupiter	FL	33477	(561) 741-6060
OO, Tin Tun	5500 Military Trail	Jupiter	FL	33458	(561) 799-3181
OO, Tin Tun	123 Honeybell Way	Jupiter	FL	33458	(561) 748-5100
MAUNG, Shar Shar	10142 W. Indiantown Rd	Jupiter	FL	33478	(561) 748-5812
KHAI, Lang Lian	4060 S. US Highway 1	Jupiter	FL	33477	(561) 694-2662
KHAI, Lang Lian	95 US Hwy 1	Jupiter	FL	33477	(561) 743-7400
MUAN, Cing Sian	9105 South Dadeland Blvd.	Kendall	FL	33156	(305) 670-8929
AUNG, Maung Aung	3316 N. Roosevelt Blvd.	Key West	FL	33040	(305) 296-2225
AUNG, Maung Aung	1112 Key Plaza	Key West	FL	33040	(305) 295-8045
VUONG, Pau Lam	870 Village Oak Lane	Lake Mary	FL	32746	(407) 804-1950
CIN, Thang Hawm Za	601 Weldon Blvd	Lake Mary	FL	32746	(407) 321-7616
SAY, Saw Bweh	4195 W. Lake Mary Blvd.	Lake Mary	FL	32746	4073283055
HTOO, Kaw	825 Rinehart Rd.	Lake Mary	FL	32746-4867	(407) 322-9985
AUNG, Hein	586 US 27 N	Lake Placid	FL	33852	(863) 699-2081
LIAN, Dal Za	7745 Lake Worth Rd	Lake Worth	FL	33463	(561) 969-3880
HTWE, Thant Zaw	1700 S. Congress Ave.	Lake Worth	FL	33461	(561) 965-8700
HUGEWIN, Brian Wong	9855 Lake Worth Rd	Lake Worth	FL	33467	(561) 966-9111
HUGEWIN, Brian Wong	5970 S. Jog Rd.	Lake Worth	FL	33467	(561) 649-7409
Vongpaphan, Kenny James	8899 HYPOLUX RD.	Lake Worth	FL	33467	(561) 304-0697
KHAI, Thomas Thang Khan	214 North Dixie Highway	Lake Worth	FL	33460	(561) 493-5042
PER, Zing	1617 US Hwy 98 S	Lakeland	FL	33801	(863) 413-0626
PER, Zing	5375 N Socrum Loop Rd	Lakeland	FL	33809	(863) 816-0246
HAN, Min	2515 South Florida Avenue	Lakeland	FL	33803	(863) 683-9860
HAN, Min	3636 Harden Blvd	Lakeland	FL	33803	(863) 647-3781
MAUNG, Okkar	5140 County Line Road	Lakeland	FL	33811	(863) 644-1376
YARZAR, Htoo	7340 Kathleen Road	Lakeland	FL	33810	(893) 816-0379
TANG, Chi Lung	5185 US Hwy 98 S	Lakeland	FL	33812	(863) 644-0386
TIAL, Monica	4730 S. Florida Ave	Lakeland	FL	33813	(863) 646-8537
SIAM, Lal Hmun	2300 Griffin Rd	Lakeland	FL	33810	(863) 858-1146
SIAM, Lal Hmun	6767 US Highway 98 N	Lakeland	FL	33809	(863) 858-6861
TUN, Kyaw Thurein	7325 University Parkway	Lakewood Ranch	FL	34202	(941) 355-8803
KHAI, Pau Lian	1589 W. Lantana Rd.	Lantana	FL	33462	(561) 585-4225
VAAK, David Khua	5855 West Oakland Blvd	Lauderhill	FL	33313	(954) 735-1328
NGAIHTE, Gin Siamlian	1328 Homestead Road North	Lehigh Acres	FL	33936	(239) 368-2241
OO, Nay Phone Maw	5781 Lee Blvd	Lehigh Acres	FL	33971	(239) 226-9701
MYAT, Tinma	3700 N. Federal Hwy	Lighthouse Point	FL	33064	(954) 786-3056
MUNG, Suankim	2450 N. Federal Highway	Lighthouse Point	FL	33064	(954) 784-3011
LUAI, Thang Hre	5655 Circa Fishhawk Blvd	Lithia	FL	33547	(813) 654-0531
THANG, Za Biak	5642 Fishhawk Crossing Blvd.	Lithia	FL	33547	(813) 655-5646
KHUA HLUE, T.	525 Bay Isles Parkway	Longboat Key	FL	34228	(941) 383-1326
KU, Kaw	675 Longwood Hills Rd	Longwood	FL	32750	(321) 207-3311
KYAW, Aye	2381 W. State Rd 434	Longwood	FL	32779	(407) 865-9847
HAN, Nilar Win	7050 Seminole Pratt Whitney Rd	Loxahatchee	FL	33470	(561) 383-6177
OO, Maung Nay	15625 Southern Blvd	Loxahatchee	FL	33470	(561) 795-5201
AYE, Nilar	19221 Dale Mabry Hwy N	Lutz	FL	33548	(813) 949-3292
HRIM, Thang	18901 State Road 54	Lutz	FL	33558	(813) 948-1275
PAR, Belle Tial	2801 E County Line Rd	Lutz	FL	33559	(800) 242-1227
ZAW, Kyaw	16560 North Nebraska	Lutz	FL	33549	(813) 264-5590
PIANG, Lal Siam	3939 Van Dyke Rd	Lutz	FL	33558	(813) 264-5591
LIANA, Zir S	662 150th Ave	Madeira Beach	FL	33708	(727) 393-5471
DA VITORIA LOBO, Sabei	242 N. Orlando Ave.	Maitland	FL	32751	(407) 599-0202
MUNG, Kham Sian	262 South Ocean Blvd.	Manalapan	FL	33462	(561) 585-6790
WU, Park Hein	5407 Overseas Highway	Marathon	FL	33050	(305) 289-2920
BESSENT, Kannika	175 S. Barfield Drive	Marco Island	FL	34145	(239) 394-1086
MUNG, Pau Khan	1089 N Collier Blvd Ste 401	Marco Island	FL	34145	(239) 642-2202
MUANG, Vungth Sian	4870 Biscayne Blvd	Miami	FL	33137	(305) 573-8601
LUN, Cing Za	9041 SW 107th Ave.	Miami	FL	33176	(305) 273-2185
KIM, Thang Muan	18280 South West 147th Avenue	Miami	FL	33187	(305) 256-3102
THANG, Biak Lian	9951 West Flagler Street	Miami	FL	33174	(305) 207-2329
BIEH, Thang Za	14601 S. Dixie Hwy	Miami	FL	33176	(305) 255-8005
BIEH, Thang Za	9510 S.W. 160th Street	Miami	FL	33157	(305) 971-9790

Zenshi Food Service Counters  
Franchisee List  
As of March 31, 2024

Franchisee Name	Address	City	State	Zip	Phone
KAP, Pau Za	13001 SW 112th Street	Miami	FL	33186	(305) 385-0601
DAL, Lian Za	1776 Biscayne Blvd.	Miami	FL	33132	(305) 358-3433
HAU, Kap Khan	15771 SW 152nd St.	Miami	FL	33187	(305) 971-2623
YIN, Su Imm	106 Ponce de Leon Blvd.	Miami	FL	33135	(305) 442-6018
AYE, Than Than	15750 SW 72nd St.	Miami	FL	33193	(305) 383-6990
AYE, Than Than	9420 SW 56th Street	Miami	FL	33165	(305) 595-4502
KHAM, Hang Lian	12800 Biscayne Blvd	Miami	FL	33181	(305) 893-6781
THANG, Lian Thawn	18995 Biscayne Blvd.	Miami	FL	33180	(305) 931-3761
THET, Bernice May	5715 NW 7th Street	Miami	FL	33126	(305) 266-1733
THWIN, Myo Mimi	8341 W. Flagler St.	Miami	FL	33144	(305) 266-0713
WIN, Kyaw Zaw	911 SW 1st Avenue	Miami	FL	33130	(305) 358-1575
SUM, Mang Kap	10201 Hammocks Blvd. #111	Miami	FL	33196	(305) 382-3002
DA, Ti	4260 SW 152nd Ave.	Miami	FL	33185	(305) 222-8120
HANG, Thang Doe	10755 NW 58th St	Miami	FL	33178	(305) 597-8295
LYAN, Zam Za	13820 SW 88th St	Miami	FL	33186	(305) 385-0200
LYAN, Zam Za	16800 SW 88th St.	Miami	FL	33196	(305) 382-5551
LYAN, Zam Za	12100 SW 127th Ave	Miami	FL	33186	(305) 238-1019
TUANG, Cin Mun	13850 SW 8th St.	Miami	FL	33184	(305) 221-1924
MOON, Michael	311 SW 7th St.	Miami	FL	33130	(305) 860-9477
MANG, Thang Khan	1525 SW 107th Ave.	Miami	FL	33174	(305) 552-8733
ZO, Vung Sian	13890 SW 56th St.	Miami	FL	33175	(305) 387-3100
ZO, Vung Sian	15755 S.W. 56th St.	Miami	FL	33185	(305) 207-0481
LIAN, Niang Kaih	601 NW 2nd Ave	Miami	FL	33136	(305) 374-6806
KHAAN, Zam Teng	20201 S.W. 127th Ave.	Miami	FL	33177	(305) 234-6038
THANG, Jacob	8250 Mills Dr.	Miami	FL	33183	(305) 274-2420
THANG, Anthony Pau Kap	1420 NW North River Dr	Miami	FL	33125	(305) 424-3300
KYAW, Moe	9755 NW 41st St.	Miami	FL	33178	(305) 591-2145
OO, Ohn Mar	7805 S.W. 40th St.	Miami	FL	33155	(305) 266-1950
THANG, Ai Zam	14630 SW 26th St.	Miami	FL	33175	(305) 223-0332
THANG, Ai Zam	11495 Bird Road	Miami	FL	33165	(305) 553-5392
KHUAL, Suan Khan	13735 SW 152nd St.	Miami	FL	33177	(305) 251-9889
KHUAL, Suan Khan	11750 SW 104th Street	Miami	FL	33176	(305) 274-1922
PIANG, David Thawng Lam	121 SW 22nd Ave	Miami	FL	33135	(305) 541-3265
LIAN, Thang Suan	8680 South West 24th Street	Miami	FL	33155	(305) 559-8030
HANG, Tang Zou	20425 Old Cutler Rd	Miami	FL	33189	(305) 235-2214
HANG, Tang Zou	20711 S. Dixie Hwy	Miami	FL	33189	(305) 256-3140
AYE, Tin Tun	2270 SW 27th Ave.	Miami	FL	33145	(305) 445-9661
THAN, Nyo Nyo	134 SW 13th St.	Miami	FL	33130	(305) 860-2280
TIM, Than	1920 West Avenue	Miami Beach	FL	33139	(305) 535-4268
MANG, Thang Tul	1045 Dade Blvd.	Miami Beach	FL	33139	(305) 534-4621
AUNG, May May	1100 6th Street	Miami Beach	FL	33139	(305) 535-2212
AUNG, May May	6876 Collins Avenue	Miami Beach	FL	33141	(305) 864-7405
PAU, Enn	19955 NW 2ND AVENUE	Miami Gardens	FL	33169	(305) 654-5771
LIU, Guokuan	15000 Miami Lakes Dr. E.	Miami Lakes	FL	33014	(305) 818-8830
MUNG, Cin Khan	9050 Biscayne Blvd	Miami Shores	FL	33138	(305) 751-4075
NUAM, Lal	2640 Blanding Blvd.	Middleburg	FL	32068	(904) 291-5123
PAU, Josef Lun	6890 Miramar Blvd	Miramar	FL	33023	(954) 966-9100
PAU, Josef Lun	9951 Miramar Pkwy	Miramar	FL	33025	(954) 437-6124
PAU, Josef Lun	11000 Pembroke Rd	Miramar	FL	33025	(954) 441-7918
KHAI, Pau Lian	14375 Miramar Pkwy	Miramar	FL	33027	(954) 447-9212
THANG, Kam Tung Mung	18409 Miramar Pkwy	Miramar	FL	33029	(954) 447-3334
SHEING, Sai Saw	12681 Miramar Parkway	Miramar	FL	33027	(954) 602-5242
MYERS, Paz Lamban	18995 US Highway 441	Mount Dora	FL	32757	(352) 383-0368
NU, Kim	6551 N Orange Blossom Trl Ste 155	Mount Dora	FL	32757	(352) 383-0740
LUN, Hau Za	8140 West Mcnab Rd	N Lauderdale	FL	33068	(954) 722-0599
MANG, Tun Khan	1297 S State Rd	N. Lauderdale	FL	33068	(954) 973-3337
PAU, Kham Suan	11566 US Hwy 1	N. Palm Beach	FL	33408	(561) 622-0804
OO, Tin Nyo	15265 Collier Blvd	Naples	FL	34119	(239) 348-2931
OO, Tin Nyo	8833 North Tamiami Trail	Naples	FL	34108	(239) 596-0403
OO, Ryan	7101 Radio Rd	Naples	FL	34104	(239) 455-3001
AUNG, Alex	13550 Immokalee Rd.	Naples	FL	34120	(239) 455-1654
WIN, Zin N	2450 Vanderbilt Beach Rd.	Naples	FL	34109	(239) 513-1356
WIN, Zin N	1981 Tamiami Trail North	Naples	FL	34102	(239) 262-0125
WIN, Shwe T	4860 Davis Blvd	Naples	FL	34104	(239) 732-7216
BEITA, Thaizi Zalen	4370 Thomasson Dr.	Naples	FL	34112-6725	(239) 774-1072
BEITA, Thaizi Zalen	12663 TAMAMI TRAIL E	NAPLES	FL	34113	(239) 775-7383
BEITA, Thaizi Zalen	8585 Collier Blvd	Naples	FL	34114	(239) 774-5080
BROWN, Ruppecth	2310 Pine Ridge Rd.	Naples	FL	34109	(239) 435-0387
BROWN, Ruppecth	15050 Sandpiper Lane	Naples	FL	34114	(239) 732-5978
OO, May Sabe	Naples Towne Centre	Naples	FL	34112	(813) 712-3054
KHUP, Khan Za	12975 Collier Blvd Ste# 200	Naples	FL	34116	(239) 304-3394
MON, Ei Zar	11200 US 41 N	Naples	FL	34110	(239) 592-5005
MON, Ei Zar	5624 Strand Blvd	Naples	FL	34110	(941) 596-0479

Zenshi Food Service Counters  
Franchisee List  
As of March 31, 2024

Franchisee Name	Address	City	State	Zip	Phone
LIAN, Ni	4601 9th St. N.	Naples	FL	34103	(239) 649-6400
LIAN, Ni	5991 Pine Ridge Rd Ext	Naples	FL	34119	(239) 352-2200
PREE, Po	1930 State Road 44	New Smyrna Beach	FL	32168	(386) 427-5327
MARAN, Tangnyang	14130 W. Newberry Rd	Newberry	FL	32669	(352) 332-5114
AUNG, Tun Min	1091 Tamiami Trail N	Nokomis	FL	34275	(941) 484-2606
CIN, Thang Khan	17960 North Tamiami Trail	North Fort Myers	FL	33903	(239) 543-2203
THANG, Hau Kap	6700 Bayshore Road	North Fort Myers	FL	33917	(239) 567-1827
SANG KUNG, Om Thang	4065 Hancock Bridge Rd	North Fort Myers	FL	33903	(239) 997-0212
KHAM, Hang Lian	12855 N.E. 6th Ave.	North Miami	FL	33161	(305) 891-1024
HANG, Kham Kap	14641 Biscayne Blvd.	North Miami Beach	FL	33181	(305) 354-2171
HANG, Kham Kap	930 North Miami Beach Boulevard	North Miami Beach	FL	33162	(305) 947-5485
NUAM, Cing Vang	1700 N.E. Miami Gardens Dr.	North Miami Beach	FL	33179	(305) 945-7119
CIN, Nang Khan	374 Northlake BLVD.	North Palm Beach	FL	33408	(561) 842-1193
MAUNG, Khin Maung	1291 S. Sumter Blvd.	North Port	FL	34287	(941) 426-6672
MAUNG, Khin Maung	17179 Tamiami Trail	North Port	FL	34287	(941) 426-2167
Naing, Nay Myo	1251 South Toledo Blade Blvd	North Port	FL	34288	(941) 240-5023
MIN, Soe	2438 Laurel Road East	North Venice	FL	34275	(941) 484-8426
DULA, Lazam	1003 East Commercial Blvd	Oakland Park	FL	33334	(954) 491-9330
RING, Tsin Pan	950 NE 50th Street	Oakland Park	FL	33334	(954) 776-5435
GRANDEZ, Nelida M.	12500 SR 54	Odessa	FL	33556	(727) 375-5249
KIM, Peter	5000-11 US Highway 17 S	Orange Park	FL	32003	(904) 269-3600
CIN, Zam Sian	1075 Oakleaf Plantation Pkwy	Orange Park	FL	32065	(904) 291-5108
U, Ye Myint	410 Blanding Blvd	Orange Park	FL	32073	(904) 276-6016
WIN, Aung	950 Blanding Blvd.	Orange Park	FL	32065	(904) 276-6029
MUNG, Gin Pian	7524 Dr. Phillips Blvd	Orlando	FL	32819	(407) 226-9882
NO, Niang Ngaith	1501 Meeting Place	Orlando	FL	32814	(407) 897-7363
OO, Zaw Naing	10115 University Blvd	Orlando	FL	32817	(407) 657-6777
LWIN, Thet	4402 Curry Ford Rd	Orlando	FL	32812-2709	(407) 282-7997
LWIN, Thet	400 East Central Boulevard	Orlando	FL	32801	(407) 872-7201
ZAW, Danny Than	8145 Vineland Ave	Orlando	FL	32821	(407) 238-9924
TIAL, Sung Hnem	9930 Universal Boulevard	Orlando	FL	32819	(407) 996-8400
THANG, Mas Van UK	5350 Central Florida Pkwy	Orlando	FL	32821	(407) 465-1139
LJ, Jinda	11055 Daryl Carter Parkway	Orlando	FL	32836	(407) 605-4044
OO, Myat Noe	7640 Sand Lake Rd	Orlando	FL	32819	(407) 226-3315
HNUN, Hnun	4870 South Apopka Vineland Rd	Orlando	FL	32819	(407) 909-8080
MORALES RIVERO, Carlos Rafael	3171 S Orange Ave	Orlando	FL	32806.	(407) 492-8328
MYINT, Hla Hla	2873 S. Orange Ave.	Orlando	FL	32806	4078720395
WYNN, Nwe Ni	4501 Hoffner Ave.	Orlando	FL	32812	(407) 850-1018
DE ALMEIDA, Dimerson Fujino	13900 Narcoossee Rd.	Orlando	FL	32832	(407) 240-2102
OO, Kyaw	12195 S. Orange Blossom Trl	Orlando	FL	32837	(407) 816-0884
HTIKE, Than	3972 Town Center Blvd.	Orlando	FL	32837	(407) 850-4351
NIANG, Hau Dim	13850 Landstar Blvd	Orlando	FL	32824	(407) 856-6040
NIANG, Hau Dim	14185 Lake Nona Blvd.	Orlando	FL	32824	(407) 816-8064
MAUNG, Rai Zan	2015 Edgewater Dr.	Orlando	FL	32804	(407) 872-0173
MAUNG, Rai Zan	1400 E. Colonial Dr.	Orlando	FL	32803	(407) 896-8154
SIT, Hmun Hmun	4606 S. Kirkman Rd	Orlando	FL	32811	(407) 293-7673
LIN, Swe Zin	1350 S. Tamiami Trail	Osprey	FL	34229	(941) 918-2647
OO, Zaw Naing	4250 Alafaya Trail STE 148	Oviedo	FL	32765	(407) 366-9480
SEIN, Tin	2100 Winter Springs Blvd	Oviedo	FL	32765	(407) 366-9740
SEIN, Tin	1801 E. Broadway St.	Oviedo	FL	32765	(407) 971-1774
KHAI, Pau Dem	2871 Clayton Crossing Way	Oviedo	FL	32765	(407) 673-0829
PU, Mang	443 W. CR 419 Suite 1001	Oviedo	FL	32766	(407) 366-4727
PAU, Zam Suan	135 Bradley Place	Palm Beach	FL	33480	(561) 655-4120
PIANG, Pau Khan	10913 N. Military Trail	Palm Beach Gardens	FL	33410	(561) 622-3584
PIANG, Pau Khan	6251 P G A Blvd.	Palm Beach Gardens	FL	33418	(561) 622-1764
AYE, San San	5410 Donald Ross Rd.	Palm Beach Gardens	FL	33418	(561) 626-1950
SING, Khen Kim	4101 Hood Road	Palm Beach Gardens	FL	33410	(561) 622-1047
MUNG, Joseph Zamsan	4200 Northlake Blvd.	Palm Beach Gardens	FL	33410	(561) 625-9632
LWIN, Tun	2750 SW Martin Downs Blvd	Palm City	FL	34990	(772) 781-3012
LWIN, Tun	1395 S. W. Martin Hwy	Palm City	FL	34990	(772) 232-4056
OO, Khatta Myint	800 Belle Terre Pkwy	Palm Coast	FL	32164	(386) 437-2426
LORLA, Saw	5415 N. Oceanshore Blvd.	Palm Coast	FL	32137	(386) 445-2193
PAR, Emily Sui Nuam	250 Palm Coast Parkway NE	Palm Coast	FL	32137	(386) 597-4776
MYINT, Sein Maung	4950 Belle Terre Parkway	Palm Coast	FL	32137	(386) 445-2628
LIAN, David Thar	2886 Alternate US 19	Palm Harbor	FL	34683	(727) 781-7481
SANG, Daniel Sui	1101 8th Avenue West	Palmetto	FL	34221	(941) 721-8548
PINE, Calvin Thuring	9520 Buffalo Rd	Palmetto	FL	34221	(941) 722-0693
DIM, Lai	8095 University Dr.	Parkland	FL	33067	(954) 575-8225
TUN, Phyo Myint	11245 N. US Highway 301 N	Parrish	FL	34219	(941) 776-8326
TUN, Phyo Myint	9005 US Highway 301 N	Parrish	FL	34219	(941) 776-8084
SING, Lian En	18341 Pines Blvd.	Pembroke Pines	FL	33029	(954) 430-6100
LIAN, Cin Khaw	600 N. University Dr.	Pembroke Pines	FL	33024	(954) 433-4400
KO, Nwe Ni	170 S. Flamingo Rd	Pembroke Pines	FL	33027	(954) 437-9500

Zenshi Food Service Counters  
Franchisee List  
As of March 31, 2024

Franchisee Name	Address	City	State	Zip	Phone
KO, Nwe Ni	16024 Pines Boulevard, #101	Pembroke Pines	FL	33027	(954) 432-1075
PUM, Mang	15729 Pines Blvd.	Pembroke Pines	FL	33027	(954) 431-2094
SUAN, Hau Z	1657 N Hiatus	Pembroke Pines	FL	33026	(954) 442-7391
BIEH, Thang Za	13401 S. Dixie Hwy	Pincrest	FL	33156	(305) 251-0911
AUNG, Ko Ko	8725 Placida Rd	Placida	FL	33946	(941) 698-1699
UK, David Vanlian	2515 Thonotosassa Rd	Plant City	FL	33563	(813) 719-6933
UK, David Vanlian	2202 Jim Redman Parkway	Plant City	FL	33563	(813) 752-2672
KHAI, Pau Lian	8101 W. Sunrise Blvd	Plantation	FL	33322	(954) 452-1362
KHAM, Joseph	550 N. Pine Island Rd.	Plantation	FL	33324	(954) 475-5285
DAL, Khup Sian	10065 Cleary Blvd	Plantation	FL	33324	(954) 473-4000
TUANG, Thang Lam	6921 W. Broward Blvd	Plantation	FL	33317	(954) 327-9705
AYE AYE, Ma Khin	225 S. Flamingo Rd	Plantation	FL	33325	(954) 472-5110
CING , Vung Sian	1181 South University Drive	Plantation	FL	33324	(954) 577-0542
KYAW, Than	1140 SW 36th Ave	Pompano Beach	FL	33069	(954) 975-0119
MYAT, Ronny Tun Nyein	2511 E Atlantic Blvd	Pompano Beach	FL	33062	(954) 786-7964
THET, Nan Sabal	1405 S. Federal Hwy	Pompano Beach	FL	33062-7233	(954) 784-3725
MUNG, Cia	411 S. Cypress Rd	Pompano Beach	FL	33060	(954) 784-3277
RUAL, Than	120 Marketside Avenue	Ponte Vedra	FL	32081	(904) 825-0263
HTWEE, Saw Aung	220 Front Street	Ponte Vedra Beach	FL	32082	(904) 280-5440
DUH, Tin Za	4265 Tamiami Trl	Port Charlotte	FL	33980-2152	(941) 629-1100
WIN, Kyaw Tun	13435 MC. Call Road	Port Charlotte	FL	33981	(941) 697-0279
LWIN, Tint	19451 Cochran Blvd., Unit 200	Port Charlotte	FL	33948-2008	(941) 235-2266
HTWE, Kyaw Zin	24051 Peachland Blvd	Port Charlotte	FL	33954	(941) 235-4460
CEU, Than	3821 South Nova Rd.	Port Orange	FL	32127	(386) 788-2220
SUI, Rebecah Beku	1660 Taylor Road	Port Orange	FL	32128	(386) 760-7332
HTET, Lin Myat	7037 ridge Rd	Port Richey	FL	34668	(727) 844-3955
THANG, Tuan Do	9100 U.S 1	Port Saint Lucie	FL	34952	(772) 337-1600
THANG, Robert Cingo	3253 South West Port St. Lucie Blvd	Port St. Lucie	FL	34953	(772) 621-8473
MANG, Kap Sian	1537 NW St. Lucie West Blvd.	Port St. Lucie	FL	34986	(772) 878-7393
THANG, Tuan Do	1125 SE Port St. Lucie Blvd.	Port St. Lucie	FL	34952	(772) 335-8441
PAU, John Thang	5473 St. James Drive	Port St. Lucie	FL	34983	(772) 878-6119
PAU, John Thang	7576 South US Hwy 1	Port St. Lucie	FL	34952	(772) 336-3833
AUNG, Khant Min	788 S.E. Becker Rd.	Port St. Lucie	FL	34984	(772) 336-3182
Maung, Zwe Wint	9335 SW Commerce Centre Dr.	Port St. Lucie	FL	34986	(772) 345-9500
TUANG, Lam	10400 S.W. Village Center Drive	Port St. Lucie	FL	34987	(772) 345-9900
OO, Naing Lin	2310 Tamiami Trl Unit 1129	Punta Gorda	FL	33950-5933	(941) 575-4740
Dinh, Anh Nguyet Thi	3941 Tamiami Trail	Punta Gorda	FL	33950	(941) 575-0793
LUAI, Thang Hre	11667 Boyette Rd.	Riverview	FL	33569	(813) 672-4353
CIN, Nang Khan	228 East Blue Heron Blvd.	Riviera Beach	FL	33404	(561) 841-3058
MARAN, Brangshawng	11977 Southern Blvd.	Royal Palm Beach	FL	33411	(561) 792-2100
MUNG, Kap Zo	1180 Royal Palm Beach Blvd	Royal Palm Beach	FL	33411	(561) 790-2111
HTIKE, Tun Nanda	250 Plaza Boulevard	Saint Augustine	FL	32086	(904) 808-9923
OO, Khin Nwe	4255 US 1 South	Saint Augustine	FL	32086	(904) 797-1111
TIN, Saw Darbu	7462 US Highway 1 North	Saint Augustine	FL	32095	(904) 826-3537
TIN, Saw Darbu	170 Village Commons Drive	Saint Augustine	FL	32092	(904) 940-3357
SUUN, Dongh Kheen	3700 4th St. N	Saint Petersburg	FL	33704	(727) 526-3019
THUAI, Cecilia Ngun Hle	30841 Mirada Blvd.	San Antonio	FL	33576	(352) 588-1170
SUM, Khup Sai	5240 West SR 46	Sanford	FL	32771	(407) 321-0423
KHUA HLUE, T.	1044 N. Tamiami Trail	Sarasota	FL	34236-2428	(941) 366-3270
MYINT, Zarchi M	3825 S. Osprey Ave.	Sarasota	FL	34239	(941) 316-0616
MYINT, Zarchi M	2031 Bay St.	Sarasota	FL	34237	(941) 366-4089
MYINT, Zarchi M	4840 S Tamiami Trail	Sarasota	FL	34231	(941) 927-9651
WIN, Tun	5100 Clark Rd	Sarasota	FL	34233	(941) 926-8297
WIN, Tun	5804 Bee Ridge Rd	Sarasota	FL	34233	(941) 378-2111
WIN, Tun	8300 Bee Ridge Rd.	Sarasota	FL	34241	(941) 371-4276
LIN, Zaw Bo Bo	5391 Fruitville Rd	Sarasota	FL	34232	(941) 377-4405
Hlaing, Ba	501 N. Beneva Rd.	Sarasota	FL	34237	(941) 330-9771
AUNG, Htay	6543 Tamiami Trail S.	Sarasota	FL	34231	(941) 922-7644
SWE, Thet Hta	3428 Clark Rd.	Sarasota	FL	34231	(941) 921-3766
LINH TUN, James	8409 S. Tamiami Trail	Sarasota	FL	34238	(941) 925-4778
KEUH, Thang	3690 Bee Ridge Road	Sarasota	FL	34233-1001	(941) 925-0269
HA, Sai Thi	2875 University Pkwy	Sarasota	FL	34243	(941) 358-1169
HA, Sai Thi	8405 Honore Ave Unit 1	Sarasota	FL	34238	(941) 924-0031
TUANG, Hau	4703 N. Ocean Dr.	Sea Ranch Lakes	FL	33308	(954) 784-3707
KIM, Thang Za	13435 U.S Highway 1	Sebastian	FL	32958	(772) 589-5110
KIM, Thang Za	9621 N. US Hwy 1	Sebastian	FL	32958	(772) 581-5755
KIM, Thang Za	1451 Sebastian Blvd. # 200	Sebastian	FL	32958	(772) 581-5710
LIAN, Siang Van	3610 US Highway 27 North	Sebring	FL	33870	(863) 385-2025
LIAN, Siang Van	2824 US 27	Sebring	FL	33870	(863) 314-8746
SMITH, Paul	2400 S. Ridgewood	South Daytona	FL	32119	(386) 756-9969
CUNG, Lyan	1075 S. Pasadena Avenue	South Pasadena	FL	33707	(727) 341-1790
KHAING, Zin T	125 Jenkins St.	St. Augustine	FL	32086	(904) 808-0514
PARK, Kui Suk	55 Ava Way	St. Augustine	FL	32084	(904) 827-1448

Zenshi Food Service Counters  
Franchisee List  
As of March 31, 2024

Franchisee Name	Address	City	State	Zip	Phone
OO, Khin Nwe	1033 A1A Beach Blvd.	St. Augustine	FL	32084	(904) 461-0231
SHARI, Sut Naw	955 State Road 16	St. Augustine	FL	32084	(904) 819-6518
MAW TANG, Lubu	84 Tuscan Way	St. Augustine	FL	32092	(904) 940-2889
MANG, Lai Hrin	3030 54th Ave S.	St. Petersburg	FL	33712	(727) 864-2030
CHUM, Than	10496 Roosevelt Blvd.N	St. Petersburg	FL	33716	(727) 576-5858
CHUM, Than	1700 34th Street North	St. Petersburg	FL	33713	(727) 327-3039
GABYAR, Lamin	7999 Martin Luther King Blvd	St. Petersburg	FL	33702	(727) 578-2833
SUM, Pau Khan	1600 66th Street North	St. Petersburg	FL	33710	(727) 344-1216
KHAI, Mang Khan	3501 49th St N	St. Petersburg	FL	33710	(727) 520-8101
GYI, Khin Maung	200 37th Ave. N	St. Petersburg	FL	33704	(727) 895-1670
MAWI, Mary Zung Rem	120 Carillon Pkwy	St. Petersburg	FL	33716	(727) 540-1660
KAI, Kap Hlei	4655 Gulf Blvd.	St. Petersburg Beach	FL	33706	(727) 360-7091
MUNG, Thang Suan	6550 S. Kanner Hwy	Stuart	FL	34997	(772) 221-8135
KHAI, Ngin Khawm	940 NE Ocean Blvd	Stuart	FL	34996	(772) 334-0578
KHAI, Ngin Khawm	3540 SE Federal Highway	Stuart	FL	34997	(772) 463-5950
KHAI, Ngin Khawm	5943 Southeast Federal Highway	Stuart	FL	34997	(772) 403-6329
KAWAMURA, Renato Akio	1501 NW Federal Hwy	Stuart	FL	34994	(772) 692-5025
MANG, Kam Lam	746 S. Federal Hwy	Stuart	FL	34994	(772) 221-3922
THANG, Za Biak	4854 Sun City Center Blvd	Sun City Center	FL	33573	(813) 633-3440
MAR, Thi Thi	18330 Collins Avenue	Sunny Isles Beach	FL	33160	(305) 935-1556
MANG, Thang Sawm	10155 W. Oakland Park Blvd.	Sunrise	FL	33351	(954) 748-5300
MANG, Thang Sawm	12500 W. Sunrise Blvd.	Sunrise	FL	33323	(954) 851-1000
LUN, Hau Za	9300 Commercial Blvd	Sunrise	FL	33351	(954) 748-0418
LANG, Nang Do	9400 Harding Ave.	Surfside	FL	33154	(305) 865-1263
KHAI, Pau Lian	8245 N.W. 88th Ave	Tamarac	FL	33321	(954) 726-1990
MANG, Tun Khan	4121 W. Commercial Blvd	Tamarac	FL	33319	(954) 735-4808
LUN, Hau Za	5881 N. University Dr.	Tamarac	FL	33321	(954) 721-7800
PIANG, Dal Khan	2042 State Road 19	Tavares	FL	32778	(352) 742-2439
THANG, Robert Cingo	502 N. US Hwy 1	Tequesta	FL	33469-2372	(561) 741-8147
SUNG, Pum Dik	2135 Everglades Lane	The Villages	FL	32163	(352) 461-5096
DAM, Thang Cin	3475 Wedgewood Ln.	The Villages	FL	32162-7183	(352) 751-6280
THAWNG, Timothy Cung Lian	2925 Traverse Trail	The Villages	FL	32163	(352) 751-6280
THAWNG, Timothy Cung Lian	695 Kristine Way	The Villages	FL	32163	(352) 259-8244
TUANG, Kam Sian	2000 Cheney Highway	Titusville	FL	32780	(321) 267-9606
CIN, Thang L	3275 Garden Street	Titusville	FL	32796-3004	(321) 264-9263
KAI, Kap Hlei	111 104th Avenue	Treasure Island	FL	33706	(727) 363-1042
DANIEL, Thomas	535 Tamiami Trl S	Venice	FL	34285	(941) 484-3346
DANIEL, Thomas	12165 Mercado Dr.	Venice	FL	34293	(941) 492-6110
SAW, Zay Yar	345 Jacaranda Boulevard	Venice	FL	34292	(941) 485-1037
SAW, Zay Yar	4173 S Tamiami Trail	Venice	FL	34293	(863) 284-3312
AUNG, Ko Ko	1445 E Venice Ave	Venice	FL	34292	(941) 480-0779
SAUNG, Sai	4145 9th St. SW.	Vero Beach	FL	32968	(772) 299-6235
SAW, Tnar	1255 US Highway 1	Vero Beach	FL	32960	(772) 778-1984
SAW, Tnar	415 21st Street	Vero Beach	FL	32960-5455	(772) 562-0391
HAN, Moe Hein	2040 58th Ave.	Vero Beach	FL	32966	(772) 569-1204
HAN, Moe Hein	5230 US Highway 1	Vero Beach	FL	32967	(772) 778-3513
MUNG, Go Sian	11950 West Forest Hill Blvd	Wellington	FL	33414	(561) 422-9640
Vongpaphan, Kenny James	127 South State Rd 7	Wellington	FL	33414	(561) 615-1705
THANG, Thawng V.	5400 Bruce B. Downs Blvd	Wesley Chapel	FL	33544	(813) 907-1699
THANG, Israel Sui Hlei	1920 County Rd 581	Wesley Chapel	FL	33543	(813) 994-4566
SANG, Khup Khan	1500 SW 57th Ave	West Miami	FL	33144	(305) 265-8019
HAN, Nilar Win	2895 N Military Trl	West Palm Beach	FL	33409	(561) 687-0445
HAN, Nilar Win	500 Belvedere Road	West Palm Beach	FL	33405	(561) 659-2118
KHAI, Pau Lian	926 S. Military Trail	West Palm Beach	FL	33415	(561) 616-2563
MYINT, Maung Maung	828 Southern Blvd.	West Palm Beach	FL	33405	(561) 832-1661
MEKPISAN, Nachpapon	6820 Okeechobee Blvd.	West Palm Beach	FL	33411	(561) 682-3015
MUNG, Kap Zo	8989 Okeechobee Blvd	West Palm Beach	FL	33411	(561) 792-2113
PIANG, Sian	4075 North Haverhill Rd	West Palm Beach	FL	33417	(561) 683-0412
PAU, Zam Suan	375 S. Rosemary	West Palm Beach	FL	33401	(561) 651-7787
OO, Maung Nay	831 Village Blvd	West Palm Beach	FL	33409	(561) 615-6808
MAUNG, Shar Shar	10130 Northlake Blvd.	West Palm Beach	FL	33412	(561) 799-6802
MYINT, Maung Maung	16841 Persimmon Blvd W Unit 1000	Westlake	FL	33470	(800) 242-1227
KIM, Thang	2465 Glades Circle	Weston	FL	33327	(954) 217-0022
CIN, In Za	294 Indian Trace Rd	Weston	FL	33326	(954) 384-4190
DINLIANA, Su leie Maung	4567 Weston Rd	Weston	FL	33331	(954) 217-1195
THU, May	1601 Promenade Blvd	Weston	FL	33326	(954) 660-0322
THU, May	1170 Weston Rd.	Weston	FL	33326	(954) 385-3057
KHAI, Hau Sian	2633 N Dixie Highway	Wilton Manors	FL	33334	(954) 561-8531
RING, Tsin Pan	100 W. Oakland Park Blvd	Wilton Manors	FL	33311	(954) 565-4891
MANG, Nang	440 N. Orlando Ave	Winter Park	FL	32789	(407) 644-1204
KHAI, Thang Kim	2295 Aloma Ave.	Winter Park	FL	32792-3303	(407) 671-3403
MANG, Thang Ai	4000 North Goldenrod Road	Winter Park	FL	32792-8999	(407) 671-0211
CING, Man Dim	741 S. Orlando Ave.	Winter Park	FL	32789	(407) 622-0302

Zenshi Food Service Counters  
Franchisee List  
As of March 31, 2024

Franchisee Name	Address	City	State	Zip	Phone
MUNG, Kap Tung	1160 E State Road 434	Winter Springs	FL	32708	(407) 327-9725
MUNG, Kap Tung	5655 Red Bug Lake Rd	Winter Springs	FL	32708	(407) 695-0922
MAWI, Sui Dim	463855 State Rd 200	Yulee	FL	32097	(904) 261-2400
LUAI, Sa Tin	76010 William Burgess Blvd	Yulee	FL	32097	(800) 242-1227
SANG, Van Lawm	7838 Gall Blvd	Zephyrhills	FL	33541	(813) 783-6871
THANG, Cung Nai	32765 Eiland Boulevard	Zephyrhills	FL	33545	(813) 779-2368
TOM, Venta	1720 Mars Hill Road	Acworth	GA	30101	(770) 419-5490
CHUAN, Mang Bawi	3507 Baker Rd. N.W.	Acworth	GA	30101	(770) 917-4600
KHAI, KAM	1727 Mars Hill RD NW	Acworth	GA	30101	(770) 218-2420
THANG, Chan Mawi	6110 Cedarcrest Rd NW	Acworth	GA	30101	(678) 439-3440
THANG, Lang Za	2715 Dawson Rd	Albany	GA	31707	(229) 431-2880
ZHU, Denghui	3000 Old Alabama Rd.	Alpharetta	GA	30022	(770) 751-7384
ZHOU, Guoping	4900 Atlanta Hwy	Alpharetta	GA	30004	(770) 754-4321
TIAM, Bawi Peng Bual	4305 State Bridge Rd	Alpharetta	GA	30022	(770) 751-7991
THANG, Lal Hruai	5180 McGinnis Ferry Rd.	Alpharetta	GA	30005	(770) 360-1025
AUNG, Thiri Pann War	9925 Haynes Bridge Rd	Alpharetta	GA	30022	(770) 751-7980
AUNG, Thiri Pann War	11800 Haynes Bridge Rd	Alpharetta	GA	30004	(770) 752-4960
AUNG, Thiri Pann War	13800 N. Highway 9	Alpharetta	GA	30004	(770) 751-0312
CUNG, Van Tha	5665 GA HWY. 9	Alpharetta	GA	30004	(770) 752-5380
THANG, Van Lian	12870 Highway 9 N	Alpharetta	GA	30004	(770) 772-3699
YU, Qinguo	12460 Crabapple Rd.	Alpharetta	GA	30004	(770) 740-2050
PIANG, Cinthan	270 Rucker Rd	Alpharetta	GA	30004	(770) 360-5591
PIANG, Cinthan	980 Birmingham Rd.	Alpharetta	GA	30004	(770) 751-5543
DING, Shuyue	10945 State Bridge Rd.	Alpharetta	GA	30022	(770) 751-3000
LEE, Sabrina	8465 Holcomb Bridge Rd.	Alpharetta	GA	30022	(770) 650-1000
CHEN, Xiuchai	11895 Douglas Rd	Alpharetta	GA	30005	(770) 751-3110
LIM, Ji-Hyun	191 Alps Road	Athens	GA	30606	(706) 543-0209
MANG, Hau Lian	3620 Atlanta Hwy	Athens	GA	30606	(706) 208-3700
THANG, Zaw Hein	2301 College Station Road	Athens	GA	30605	(706) 353-8543
DING, Ze	1720 Epps Bridge Road	Athens	GA	30606	(706) 583-8900
TUN, Zar Ni Mya	1860 Barnett Shoals Rd.	Athens	GA	30605-6811	(706) 227-6260
PU, Peter Mang	700 US Highway 29N	Athens	GA	30601	(770) 496-5382
TLAN, Henry	5345 Jefferson Road	Athens-Clarke	GA	30606	(762) 400-8555
KHAI, Kham Sian	2542 Morosgo Way	Atlanta	GA	30324	(404) 946-0438
LIAN, Tha Kung	3559 Chamblee Tucker RD	Atlanta	GA	30341	(770) 243-6211
LIAN, Thang Cin	1225 Caroline Street	Atlanta	GA	30307	(404) 880-4105
MANG, Tual Khan	800 Glenwood Ave SE	Atlanta	GA	30316	(470) 447-5030
MANG, Tual Khan	725 Ponce De Leon	Atlanta	GA	30308	(404) 875-3009
AN, Huayu	2365 Peachtree Rd NE	Atlanta	GA	30305	(404) 869-6556
DIM, Neam Khan	3435 Ashford Dunwoody Rd NE	Atlanta	GA	30319	(770) 216-5050
LEE, Yoo Won	2451 Cumberland Pkwy SE	Atlanta	GA	30339	(770) 437-7000
AN, Yang H	3730 Carmia Dr. S.W.	Atlanta	GA	30331	(404) 346-9253
YANG, Leila	1700 Monroe Dr.	Atlanta	GA	30324	(404) 872-0782
SUNG, Men	8725 Roswell Rd. Ste. G	Atlanta	GA	30350	(770) 640-5950
THANG, Ceu Lian	590 Cascade Rd	Atlanta	GA	30310	(404) 756-1140
CUNG, Dawt	3535 Peachtree Rd	Atlanta	GA	30326	(404) 848-0344
THANG, Tluang Za	6300 Powers Ferry Rd NW	Atlanta	GA	30339	(770) 612-5140
SONG, Huo Jiao	2325 Cheshire Bridge Rd. NE	Atlanta	GA	30324-3725	(404) 638-1900
MANG, Tin Tian	1544 Piedmont Ave	Atlanta	GA	30324	(404) 898-1850
ZAM, Gin Khan	2020 Howell Mill Rd. NW	Atlanta	GA	30318	(404) 609-7935
VUNG, Ning Khan	572 Hank Aaron Drive S.E.	Atlanta	GA	30315	(800) 242-1227
TUANG, Tin Lian	1715 Howell Mill Rd.	Atlanta	GA	30318	(404) 355-7886
TUANG, Tin Lian	2685 Metropolitan Parkway	Atlanta	GA	30315	(404) 761-7409
CING, Ngai Hei Nuam	4920 Roswell Road	Atlanta	GA	30342	(404) 843-3080
SUNG, Van	3695 Cascade Rd SW	Atlanta	GA	30331	(404) 505-2870
ZA LIAN BAWI, Donbosco	1380 Atlantic Dr. NW	Atlanta	GA	30363	(404) 873-5055
TUN, Tin Aung	2900 Peachtree Rd NW	Atlanta	GA	30305	(404) 848-0330
CING, Lian San	1001 Ponce De Leon	Atlanta	GA	30306	(404) 892-9229
MOE, Moe	7525 Roswell Road	Atlanta	GA	30350	(678) 443-8980
KHAR, Ngun	1100 Hammond Dr.	Atlanta	GA	30328	(678) 443-2100
LIAN, Kha Pau	2275 Marietta Blvd NW	Atlanta	GA	30318	(404) 351-4794
CUAI, Thla	2969 North Druid Hill Rd	Atlanta	GA	30329	(404) 638-6022
LIAN, KAM NGAIH	2562 Shallowford Rd. NE	Atlanta	GA	30345	(404) 636-1175
CEU, Biak Lian	4279 Roswell Road	Atlanta	GA	30342	(404) 843-4353
CEU, Biak Lian	1250 West Paces Ferry Rd	Atlanta	GA	30327	(404) 848-1610
SANG, Ni Luai	2162 Henderson Mill Rd. NE	Atlanta	GA	30345	(770) 724-1947
HRANG, Chan	950 West Peachtree Street	Atlanta	GA	30309	(404) 253-3544
THANG, Cung Bawi	3030 Headland Drive SW	Atlanta	GA	30311	(404) 344-0177
THANG, Cung Bawi	1160 Moreland Ave SE	Atlanta	GA	30316	(404) 624-8110
KHAM, Paul Go Suan	3300 Cobb Parkway	Atlanta	GA	30339	(770) 952-0778
HONDA, Kazumasa	905 Memorial Drive SE	Atlanta	GA	30316	(404) 521-3992
THA, Dawt Hlei Zing	2235 Glenwood Ave.	Atlanta	GA	30316	(404) 373-2858
PARK, Brian	595 Piedmont Ave NE	Atlanta	GA	30308	(404) 881-1750

Zenshi Food Service Counters  
Franchisee List  
As of March 31, 2024

Franchisee Name	Address	City	State	Zip	Phone
ZAM, Lal Biak	3425 Cascade Road	Atlanta	GA	30311	(404) 505-8855
CHEN, Liyu	2090 Dunwoody Club Drive	Atlanta	GA	30350	(770) 391-9035
LIN, Xiuduan	3871 Peachtree Rd NE	Atlanta	GA	30319	(404) 240-0808
KHEN, Tial	2205 Lavista Road	Atlanta	GA	30329	(404) 633-8694
PAU, Dai Lo	1799 Briarcliff Rd. NE	Atlanta	GA	30306	(404) 607-1189
TUANG, Kap Thawn	5829 Campbellton Road, S.W.	Atlanta-Fulton	GA	30331	(404) 346-4170
MANG, Van Biak	2801 Washington Road	Augusta	GA	30909	(706) 731-7300
KHAI, Nang Mun	2816 Washington Rd	Augusta	GA	30909	(706) 731-5200
MANG, Hau Lian	916 Loganville Hwy	Bethlehem	GA	30620	(770) 307-1600
THANG, Thawng Lian	774 GA Highway 96	Bonaire	GA	31005	(478) 988-5700
TUANG, Cin Pian	510 GA Hwy 247 South	Bonaire	GA	31005	(478) 322-3620
CHEN, Hao En	2095 Highway 211 N.W.	Braselton	GA	30517	(678) 425-6200
LIAN, KAM NGAIH	104 Town Blvd	Brookhaven	GA	30319-3175	(404) 233-7475
PUM, Lang Suan	171 Village At Glynn Pl	Brunswick	GA	31525	(912) 261-4730
XU, Fan	5885 Cumming Hwy	Buford	GA	30518-5765	(770) 614-8860
LIN, Dong	4840 Golden Parkway	Buford	GA	30518	(770) 614-7700
Chen, Chunyan	4108 Hamilton Mill Rd.	Buford	GA	30519	(770) 831-1054
HWANG, Joseph Yoon Joong	3300 Hamilton Mill Rd	Buford	GA	30519	(770) 614-1081
TUN, Lin Eithet	6015 Watson Blvd.	Byron	GA	31008	(478) 971-7706
NG, Kim H	6766 Hickory Flat Hwy	Canton	GA	30115	(770) 721-7300
KYAW, Sai M.	3760 Sixes Rd.	Canton	GA	30114	(770) 345-8380
KYAW, Sai M.	120 Prominence Point Pkwy	Canton	GA	30114	(770) 345-5389
MAWNG, Te	12424 Cumming Hwy	Canton	GA	30115	(678) 455-0112
MAWNG, Te	6175 Hickory Flat Hwy	Canton	GA	30115	(770) 345-8600
CUNG, Joseph	1451 Riverstone Parkway	Canton	GA	30114	(770) 720-1001
CUNG, Joseph	15 Laurel Canyon Village Circle	Canton	GA	30114	(770) 479-3700
CIN, Pau Lam	8020 Cumming Hwy	Canton	GA	30115	(770) 345-8451
HANG, Gin Khan	4045 Marietta Hwy	Canton	GA	30114	(770) 345-3644
KHINE, Hnin Nu Nu	1109 S Park St. Ste #600	Carrollton	GA	30117	(770) 214-3140
SANG, Van Biak	1355 South Park Street	Carrollton	GA	30117	(770) 832-8932
KYAW, Sai M.	300 Cherokee Place	Cartersville	GA	30121	(770) 606-2360
LIN, Deng Ming	125 MAIN STREET MARKET PL SE	Cartersville	GA	30121	(770) 386-8102
MAWI, Siang Za	5534 Peachtree Blvd	Chamblee	GA	30341	(770) 457-9835
THURMI, Van Van	1639 Bradley Park Dr. Ste 600	Columbus	GA	31904	(706) 571-3420
THURMI, Van Van	3201 Macon Road	Columbus	GA	31906-1717	(706) 561-2160
MAHKAW, Gam Htoi	5435 Woodruff Farm Rd	Columbus	GA	31907	(706) 568-8820
RUL, Pa	7600 SCHOMBURG ROAD	COLUMBUS	GA	31909	(706) 565-3260
LIAN, Lian	6901 RAY WRIGHT BLVD.	COLUMBUS	GA	31820	(706) 358-0289
KIM, Maung Suan	1745 GA-138 SE	Conyers	GA	30013	(770) 922-8753
DIM, Neam Khan	2880 Georgia Hwy 212 S.W	Conyers	GA	30094	(770) 918-2512
DIM, Neam Khan	2159 Highway 20 SE	Conyers	GA	30013	(770) 785-6202
DIM, Neam Khan	13015 Brown Bridge Rd	Covington	GA	30016	(678) 342-0766
NO, En	43001 Town Center Dr.	Covington	GA	30014	(770) 385-5705
LIN, Jasper	3700 Salem Rd.	Covington	GA	30016	(678) 342-6039
TIN, Thang Lam	3139 US Highway 278 NE	Covington	GA	30014	(770) 787-0724
TIN, Thang Lam	5341 Highway 20 S	Covington	GA	30016	(770) 788-4000
SEE THOU, Chou Mooi	2325 BETHELVIEW RD	CUMMING	GA	30040	(770) 888-1020
SHA, Xiaohui	5475 Bethelview Rd.	Cumming	GA	30040	(678) 455-1232
YONG, Pui Yee	5550 Bethelview Road	Cumming	GA	30040	(770) 888-1020
CHEN, Hao En	1735 Buford Hwy	Cumming	GA	30041-1266	(770) 781-5601
LI, Yalin	1595 Peachtree Parkway	Cumming	GA	30041	(678) 455-4580
DONG, Jingya	5310 Matt Highway	Cumming	GA	30028	(770) 889-5778
CAN, Dar	3480 Keith Bridge Rd	Cumming	GA	30041-5546	(678) 455-0610
LAM, Mang	3620 ERA DRIVE	CUMMING	GA	30028	(800) 242-1227
MUNG, Zam Mun	2655 Freedom Parkway	Cumming	GA	30041	(770) 781-6683
TLAN, Henry	952 HARBINS RD	DACULA	GA	30019	(800) 242-1227
THAPA, Kumar	505 Dacula Road	Dacula	GA	30019	(678) 407-8739
CHOI, Christine	2463 Hamilton Mill Parkway	Dacula	GA	30019	(770) 614-1070
THANG, Cin Sian	720 Dacula Rd.	Dacula	GA	30019	(770) 822-5959
THANG, Cin Sian	831 Auburn Road	Dacula	GA	30019	(770) 682-2421
HWANG, Joseph Yoon Joong	2700 Brazelton Highway	Dacula	GA	30019	(770) 614-1020
TOM, Venta	8876 Dallas Acworth Hwy	Dallas	GA	30132	(678) 574-7173
THANG, Chan Mawi	51 E. Paulding Dr.	Dallas	GA	30157	(770) 505-5838
THANG, Chan Mawi	80 Seven Hills Boulevard	Dallas	GA	30132	(770) 975-6786
HRANG LUNG, Sui Tin Hnem	7953 Villa Rica Hwy	Dallas	GA	30157	(678) 840-4676
MUNG, Thang Sian	455 Nathan Dean Blvd	Dallas	GA	30132	(770) 443-0811
ZAR, Khun Nay	1365 W. Walnut Ave.	Dalton	GA	30720	(706) 270-0843
SUNG, Tha Hlei	145 Forest Blvd. Suite 100	Dawsonville	GA	30534	(706) 216-4220
CHEN, Dezhu	378 Marketplace Parkway	Dawsonville	GA	30534	(800) 576-4377
LIAN, Tha Kung	2875 N. Decatur Rd.	Decatur	GA	30033	(404) 294-5311
NIANG, MAN LUN	4919 Flat Shoals Pkwy	Decatur	GA	30034	(770) 322-8984
CING, Ning Sian	2720 E Ponce de Leon Ave	Decatur	GA	30030	(404) 378-9225
SANG, Ni Luai	3870 N. Druid Hills Rd	Decatur	GA	30033	(404) 638-1293

Zenshi Food Service Counters  
Franchisee List  
As of March 31, 2024

Franchisee Name	Address	City	State	Zip	Phone
SANG, Ni Luai	2155 N. Decatur Rd.	Decatur	GA	30033	(404) 638-6015
THA, Dawt Hlei Zing	3649 Flakes Mill Rd	Decatur	GA	30034	(770) 322-2380
PAU, Dai Lo	3479 Memorial Drive	Decatur	GA	30032	(404) 286-5780
LIAN, Peter Pau Hau	4815 Ridge Rd	Douglasville	GA	30134	(770) 949-2661
LIAN, Ceu Cin	3251 Highway 5	Douglasville	GA	30135	(770) 920-1880
ZHENG, Jie	3316 Highway 5	Douglasville	GA	30135	(770) 920-3460
ZHENG, Jie	4300 Chapel Hill Rd.	Douglasville	GA	30135	(770) 577-5133
PAR, Ngun Neih	3875 Chapel Hill Road	Douglasville	GA	30135	(770) 947-7144
MANG, Thang Sian	1100 Hillcrest Pkwy	Dublin	GA	31021	(478) 277-3081
LIN, Shao Peng	3093 Steve Reynolds Blvd.	Duluth	GA	30096	(770) 921-4579
FRAZIER, Chunbo	5805 State Bridge Rd.	Duluth	GA	30097	(770) 813-7450
ZHANG, Qin	1625 Pleasant Hill Rd	Duluth	GA	30096	(770) 806-2780
ZHANG, Qin	2750 Buford Hwy	Duluth	GA	30096	(770) 622-6750
ZHANG, Qin	3870 Peachtree Industrial Blvd	Duluth	GA	30096	(770) 813-7465
WU, Yinggang	6555 Sugarloaf Parkway	Duluth	GA	30097	(770) 814-7190
XU, Mingzhu	3455 Peachtree Industrial Blvd.	Duluth	GA	30096	(770) 476-7914
ZHANG, Yuanhui	4498 Chamblee Dunwoody Rd.	Dunwoody	GA	30338	(770) 451-8350
MUNG, Francis Mang Thoung	500 Ashwood Parkway	Dunwoody	GA	30338	(770) 522-5133
SHIN, Ho Sub	5550 Chamblee Dunwoody	Dunwoody	GA	30338	(678) 443-0644
THU, Maung Myo Kyaw	4274 Washington Rd	Evans	GA	30809	(706) 650-5040
MUNG, Pau Lian	4355 Washington Rd.	Evans	GA	30809	(706) 868-4510
THANG, Phun Hu	5119 Washington Road	Evans	GA	30809	(706) 650-1460
THANG, Pau Sian	5370 Campbellton Fairburns Road	Fairburn	GA	30213	(770) 774-3600
SUI, Cing Lel	108 Pavilion Way	Fayetteville	GA	30214	(770) 460-4100
CING, Julia	134 Banks Xing	Fayetteville	GA	30214	(770) 461-7602
MOHAMED, Amir Hussein Bin	805 Glynn St. S Suite 117	Fayetteville	GA	30214	(770) 461-6880
KHAN, Ayub	840 Glynn St. S.	Fayetteville	GA	30214	(678) 817-5415
PIANG, Kai Sawm	7334 Spout Springs Rd	Flowery Branch	GA	30542	(770) 967-1249
ENG, Sui	4025 Winder Hwy	Flowery Branch	GA	30542	(770) 539-5020
SHALOM, Pau Tuang	7380 Spout Springs Rd	Flowery Branch	GA	30542	(770) 965-5640
CING, Awi Nem	3446 Winder Hwy	Flowery Branch	GA	30542	(770) 538-4270
XIE, Jian Jun	5900 Spout Springs Rd	Flowery Branch	GA	30542	(770) 967-1303
HMUNG, Bawiza	879 Dawsonville Highway	Gainesville	GA	30501	(770) 534-1350
CING, Awi Nem	1236 Thompson Bridge Rd.	Gainesville	GA	30501	(770) 538-0665
KAM, Pum Khan	3630 Thompson Bridge Rd.	Gainesville	GA	30506	(770) 532-1143
PARK, Jong	1931 Jesse Jewell Pkwy	Gainsville	GA	30501	(470) 252-3182
PARK, Charles	1911 Grayson Hwy.	Grayson	GA	30017	(770) 237-2531
PUM, Khua	6350 Lake Oconee Pkwy	Greensboro	GA	30642	(706) 454-7140
TANG, Chongqiu	1524 Highway 16 West	Griffin	GA	30223	(770) 229-7427
THAWNG, Kil Lin	435 Lewiston Road	Grovetown	GA	30813	(706) 619-3420
LIAN, Thang Deih	555 West Oglethorpe Highway	Hinesville	GA	31313	(912) 876-6010
MOE, Moe	6055 Highway 124 West	Hoschton	GA	30548	(706) 654-5900
AUNG, Thein	115 Bill Wigington Parkway	Jasper	GA	30143	(706) 692-1200
CHA, David H.	1685 Old Pendergrass Rd	Jefferson	GA	30549	(706) 387-7600
GAO, Hang	51 Old Farm Road	Jefferson	GA	30549	(706) 708-5216
TIAM, Bawi Peng Bual	11585 Jones Bridge Rd	Johns Creek	GA	30022	(770) 751-4580
MANG, Pum Go	8059 Tara Blvd.	Jonesboro	GA	30236	(770) 478-5700
TUN, Lin Eithet	1114 Highway 96	Kathleen	GA	31047	(478) 987-6707
YAO, Shengyun	2774 N. Cobb Parkway	Kennesaw	GA	30152	(770) 426-3240
YAO, Shengyun	2090 Baker Rd. N.W	Kennesaw	GA	30144	(678) 331-8750
KIM, Biak Thian	4290 Bells Ferry Rd.	Kennesaw	GA	30144	(770) 516-3883
BIK, Tha	4430 Wade Green Rd NW	Kennesaw	GA	30144	(770) 419-4030
HANG, Gin Khan	3895 Cherokee Street NW	Kennesaw	GA	30144	(770) 218-7030
KHUP, Zam Suan	1635 Old Highway 41 NW	Kennesaw	GA	30152	(770) 426-5299
MUAN, Thang Sian	1601 GA Highway 40 E	Kingsland	GA	31548	(912) 729-7878
Kham, Pau Sian	2200 VERNON STREET	LAGRANGE	GA	30240	(800) 242-1227
CHU, Yueh Jiuon	3370 Sugarloaf Parkway	Lawrenceville	GA	30044	(678) 376-3844
THAPA, Kumar	2100 Riverside Pkwy	Lawrenceville	GA	30043	(770) 962-0890
THAPA, Kumar	950 Herrington Rd	Lawrenceville	GA	30044	(770) 995-6200
FRAME, Dan	2380 Buford Dr. Ste 201	Lawrenceville	GA	30043-7638	(770) 338-4560
MENG, Qingbo	1475 Buford Drive	Lawrenceville	GA	30043	(770) 962-1317
CHUAH, Van San	1030 Old Peachtree Rd NW	Lawrenceville	GA	30043	(678) 376-3220
KIM, Jae J.	930 New Hope Rd.	Lawrenceville	GA	30045	(770) 682-2430
TAM, Antonio Kwok	4850 Sugarloaf Pkwy	Lawrenceville	GA	30044	(770) 277-5240
THANG, Cin Sian	911 Duluth Highway	Lawrenceville	GA	30043	(770) 339-5600
SANG, Mung Sian	1212 US 19	Leesburg	GA	31763	(229) 431-0294
FEI, Xueru	3050 Five Forks Triukum Road	Liburn	GA	30047	(770) 978-9264
KO, Chris L.	4045 Five Forks Trickum Rd	Liburn	GA	30047	(770) 381-4170
LIAN, John	4155 Lawrenceville Hwy NW	Liburn	GA	30047	(770) 717-3044
LIAN, Ceu Cin	630 Thornton Rd	Lithia Springs	GA	30122	(770) 732-6999
KIM, Maung Suan	6678 Covington Hwy	Lithonia	GA	30058	(770) 593-7110
CUNG, Run	2730 Highway 155 South	Locust Grove	GA	30248	(770) 288-4180
SANG, Lang Le	4325 Atlanta Hwy	Loganville	GA	30052	(770) 466-5150

Zenshi Food Service Counters  
Franchisee List  
As of March 31, 2024

Franchisee Name	Address	City	State	Zip	Phone
THANG, Cin Sian	2715 Loganville Hwy	Loganville	GA	30052	(770) 822-0637
MUNG, Kam Khan	4753 Atlanta Highway	Loganville	GA	30052	(678) 639-4474
MUNG, Khai Lian	910 Athens Highway	Loganville	GA	30052	(770) 554-1100
VANG, Theresa Ni Par Zi	5015 Floyd Rd.	Mableton	GA	30126	(770) 819-5430
SULTAN ANSARY, Rokiah Binti	4875 FLOYD ROAD SW	Mableton	GA	30126	(770) 732-2850
LIAN, Kha Pau	1025 Veterans Memorial Hwy S.E	Mableton	GA	30126	(678) 398-3651
TUANG, Mung Cin	4650 Forsythe Road	Macon	GA	31210	(478) 474-7410
TUANG, Mung Cin	220 Tom Hill SR. Blvd.	Macon	GA	31210	(478) 474-7582
TUANG, Mung Cin	4321 Hartley Bridge Road	Macon	GA	31216	(478) 788-1010
TUN, Lin Eithet	5451 Bowman Rd.	Macon	GA	31210	(478) 474-3064
THANG, Thawng Lian	5928 Zebulan Rd.	Macon	GA	31210	(478) 757-4150
LAN, Elizabeth Suihlawnthar	5581 Thomaston Rd	Macon	GA	31220	(478) 474-4918
WONG, Victor	2960 Shallowford Rd.	Marietta	GA	30066	(770) 977-7724
TRAN, Thanh Xuan	3600 Dallas Highway	Marietta	GA	30064	(770) 424-0040
KIM, Biak Thian	50 Barrett Parkway	Marietta	GA	30066	(770) 419-4043
CHUAN, Mang Bawi	1860 Sandy Plains Rd.	Marietta	GA	30066	(770) 509-3991
SULTAN ANSARY, Rokiah Binti	1690 Powder Springs Rd SW	Marietta	GA	30064	(770) 218-5699
KHUAL, Mung Khan	1050 E. Piedmont Rd Ste P	Marietta	GA	30062	(770) 509-3980
KHUAL, Mung Khan	4269 Roswell Rd	Marietta	GA	30062	(770) 576-1620
YU, Eun Sook	4880 Lower Roswell Rd.	Marietta	GA	30068	(770) 971-8801
Thang, Van Biak	2100 Rosewell Rd.	Marietta	GA	30062	(770) 321-1080
BIK, Chung Lian	2900 Delk Rd.	Marietta	GA	30067	(770) 612-5150
SANG, Mungkai	1310 Powers Ferry Rd. SE	Marietta	GA	30067	(404) 496-7850
SANG, Pum Cing	3162 Johnson Ferry Rd	Marietta	GA	30062	(770) 650-6673
SHANN, Richard Y.L.	3605 Sandy Plains Rd. Ste 200	Marietta	GA	30066	(770) 578-6000
THANG, Khup Go	1000 Whitlock Avenue	Marietta	GA	30064	(770) 421-7676
U HLA, Maung	1100 Johnson Ferry Rd	Marietta	GA	30068	(770) 509-2350
YU, An	2500 Dallas Hwy SW	Marietta	GA	30064	(770) 426-3250
KHUP, Zam Suan	1750 Powder Springs Rd SW	Marietta	GA	30064	(770) 423-4160
MUNG, Pau Lian	4115 columbia Road	Martinez	GA	30907	(706) 863-9635
THANG, Rual Ceu	403 Furys Ferry Rd	Martinez	GA	30907	(706) 650-3360
SEN, Khup	3479 Highway 81 East	McDonough	GA	30252	(770) 305-9357
ZAM, Gin Khan	920 Highway 81 East	McDonough	GA	30252	(770) 898-1213
SUNG, Par Tin	301 Jonesboro Road	McDonough	GA	30253	(770) 954-4370
CUNG, Run	2158 Highway 20 W	McDonough	GA	30253	(770) 898-6650
MANG, Sua	Kelleytown Village 3500 Highway 155 North	McDonough	GA	30252	(770) 288-8588
ZI, Ngun Par	2809 North Columbia Street	Milledgeville	GA	31061	(478) 414-2140
KIM, Niang H.	900 Pavilion Parkway	Monroe	GA	30656	(678) 635-4316
PAR, Thla lang	2035 Mt. Zion Rd.	Morrow	GA	30260	(770) 472-4000
KHUP, Mun	378 Veteran's Pkwy North	Moultrie	GA	31788	(229) 217-4812
NYEIN CHAN, Nyi Nyi	100 Glenda Trace	Newnan	GA	30265	(770) 502-0686
THANG, Hang Khan	4000 N Hwy 29	Newnan	GA	30265	(678) 633-6167
HUM, Cassidy Thaw	48 Bullsboro Dr.	Newnan	GA	30263	(770) 251-4791
LIN, Wengong	1751 Newnan Crossing Blvd. E.	Newnan	GA	30265	(678) 423-5841
ZAW, Naung Latt	370 Bullsboro Dr.	Newnan	GA	30263	(770) 502-0693
ZAW, Naung Latt	1110 Lower Fayetteville Rd.	Newnan	GA	30265	(770) 502-2370
CHUNG, Che Suen	3150 East Highway 34	Newnan	GA	30265	(770) 254-3030
THANG, Pau	6050 Singleton Rd	Norcross	GA	30093	(770) 242-3344
CUNG, Naomi Cer	3200 Holcomb Bridge Rd.	Norcross	GA	30092	(770) 417-5100
CUNG, Naomi Cer	7736 Spalding Dr.	Norcross	GA	30092	(770) 417-5155
THEIN, Naw May	1101 N. Peachtree Pkwy.	Peachtree City	GA	30269	(770) 486-7200
KHAN, Ayub	130 Peachtree East Shopping Ctr.	Peachtree City	GA	30269	(770) 486-2020
KHAN, Ayub	1200 Highway 74 S ste 20	Peachtree City	GA	30269	(770) 486-0133
MUNG, Lian Hau	564 Crosstown Drive	Peachtree City	GA	30269	(770) 487-3602
TUANG, Cin Pian	275 Perry Pkwy	Perry	GA	31069	(478) 218-7577
MANG, Pau Sian	101 Blue Moon Crossing	Pooler	GA	31322	(912) 450-1070
KHAI, Neng Za	465 Pooler Parkway	Pooler	GA	31322	(912) 330-7313
TUANG, Gin Deih	7936 GA Highway 21	Port Wentworth	GA	31407	(912) 966-5895
KHAI, KAM	5100 Dallas Highway	Powder Springs	GA	30127	(770) 419-6000
LAM, Mang	3721 New Macland Rd.	Powder Springs	GA	30127	(770) 222-2972
KHAM, Do Suan	4150 Macland Rd	Powder Springs	GA	30127	(770) 222-5190
ZAM THANG, Suan	12800 Hwy 144 East	Richmond Hill	GA	31324	(912) 459-1171
MUNG, Kam Lam	53 Exchange Street	Richmond Hill	GA	31324	(912) 756-4490
JAHAO, Len	461 S. Columbia Ave	Rincon	GA	31326	(912) 584-7130
MANG, Hau Sawm	3775 Battlefield Parkway	Ringgold	GA	30736	(706) 858-6568
TANEDO, Christian Louie Padilla	435 Turner McCall Blvd, NE	Rome	GA	30165	(706) 291-3380
CUI, Tao	1476 Turner McCall Blvd	Rome	GA	30161	(706) 290-8039
ZI, Aung	1425 Market Blvd.	Roswell	GA	30076	(770) 640-6035
LI, Yalin	900 Marietta Hwy	Roswell	GA	30075	(770) 640-9199
NWE, Yin Su	4401 Shallowford Rd.	Roswell	GA	30075	(770) 640-6200
CUAI, Thla	885 Woodstock Rd	Roswell	GA	30075	(770) 552-4580
CUAI, Thla	4750 Alabama Rd. NE	Roswell	GA	30075	(770) 645-0144
NUAN, Mang E	2300 Holcomb Bridge Rd	Roswell	GA	30076	(678) 352-7488

Zenshi Food Service Counters  
Franchisee List  
As of March 31, 2024

Franchisee Name	Address	City	State	Zip	Phone
LIU, Xiao Ye	570 E Crossville Rd	Roswell	GA	30075	(770) 640-2070
YANG, Xuhui	6615 Roswell Rd NE	Sandy Springs	GA	30328	(404) 843-4340
TAITHUL, Ningmang Sianlun	227 Sandy Springs Place NE	Sandy Springs	GA	30328	(404) 256-3434
ZAM THANG, Suan	11701 Abercorn Street	Savannah	GA	31419	(912) 925-4112
PAU, Khup H.	318 Mall Blvd	Savannah	GA	31406	(912) 354-7133
MUNG, Kam Lam	5720 OGEECHEE RD.	Savannah	GA	31405	(912) 235-3420
NAING, Nay Oo	495 Johnny Mercer Blvd	Savannah	GA	31410	(912) 897-8898
LIA, Naw	155 Johnny Mercer Blvd	Savannah	GA	31410	(912) 897-8100
LIA, Naw	4717 Highway 80 East	Savannah	GA	31410	(912) 897-8111
PAT, Hau	7 Diamond Causeway	Savannah	GA	31406	(912) 353-4345
THANG, Pau Ngaih	5500 Abercorn St.	Savannah	GA	31405	(912) 353-1260
THANG, Pau Ngaih	6 Westridge Road	Savannah	GA	31411	(912) 598-3130
KHAI, Tual Lam	311 East Gwinnett St.	Savannah	GA	31401	(912) 231-2260
KHAI, Tual Lam	1900 E Victory Dr	Savannah	GA	31404	(912) 236-9321
NO, Moses Mung	8080 Wells Street	Senola	GA	30276	(770) 599-3311
VANG, Theresa Ni Par Zi	4480 S. Cobb Dr.	Smyrna	GA	30080	(770) 434-6225
HASHIM, Hanifa	4715 S Atlanta Rd SE	Smyrna	GA	30080	(404) 792-6990
THANG, Cung Bawi	3240 S Cobb Drive	Smyrna	GA	30080	(770) 433-3447
MUAN, Mang Sian	2955 Atlanta Road SE	Smyrna	GA	30080	(770) 319-1123
THANG, Anthony Hang Tung	3550 Centerville Hwy	Snellville	GA	30039	(770) 736-7800
PAR, Ni Len	1670 Highway 124	Snellville	GA	30078	(770) 985-3790
MILLER, Saw	3035 Scenic Hwy S	Snellville	GA	30039	(770) 982-0655
SANG, Lang Le	1905 Scenic Highway	Snellville	GA	30078	(770) 978-5800
THAWNG, Van Sui	101 TORMENTA WAY	STATESBORO	GA	30458-5697	(912) 243-6225
KIM, Thang Tuat	250 E. Atlanta Rd.	Stockbridge	GA	30281	(770) 389-4666
KIM, Thang Tuat	909 Eagles Landing Pkwy	Stockbridge	GA	30281	(770) 389-6130
HASHIM, Hanifa	1750 Hudson Bridge Rd	Stockbridge	GA	30281	(770) 507-7732
CHU, Yueh Jiuan	380 N. Deshon Rd.	Stone Mountain	GA	30087	(770) 879-2700
SHI, Guang Xi	1227 Rockbridge Rd	Stone Mountain	GA	30087	(770) 225-1877
MANG, Ni Luai	6001 Cumming HWY	Sugar Hill	GA	30518	(678) 546-2148
THANG, Pau	2121 Lawrenceville Road	Suwanee	GA	30024	(770) 962-7958
GUAN, Ling	400 Peachtree Industrial Blvd.	Suwanee	GA	30024	(770) 932-4377
TIAL, Siang	3120 Mathis Airport Pkwy	Suwanee	GA	30024	(770) 781-0368
GIM, Jing	3245 Peachtree Parkway	Suwanee	GA	30024	(770) 886-5335
KIM, Gracy H	1000 Peachtree Industrial Blvd	Suwanee	GA	30024	(770) 932-4300
KOU, Ieng	3651 Peachtree Parkway	Suwanee	GA	30024	(770) 418-2377
MUNG, Khen Lian	13775 Highway 19 S	Thomasville	GA	31792	(229) 226-9800
THANG, Thang Seng	620 North Virginia Ave.	Tifton	GA	31794	(229) 386-1166
LIAN, Tha Kung	3959 Lavista Rd	Tucker	GA	30084	(770) 939-6304
TU, Hua Mei	4357 Lawrenceville Hwy	Tucker	GA	30084	(770) 934-1104
NIANG, Cingh Khan	4650 Hugh Howell Rd	Tucker	GA	30084	(770) 934-4799
THANG, Hlawn Ceu	1512 Highway 74 N	Tyrone	GA	30290	(770) 774-2780
KHAI, Michael	3330 Inner Perimeter Rd.	Valdosta	GA	31602	(229) 671-9835
SAN, David Kim	1741 Gornito Rd	Valdosta	GA	31601	(229) 242-2409
MUNG, Thang Gin	2000 Mirror Lake Blvd	Villa Rica	GA	30180	(678) 840-8778
NEU, Cing	3094 Watson Blvd.	Warner Robins	GA	31093	(478) 971-2320
LEE, Haydee Grimanesa	2061 Experiment Station Rd	Watkinsville	GA	30677	(706) 769-2080
LANGH, Thang Suan	1606 Memorial Dr.	Waycross	GA	31501	(912) 287-2270
MANG, Hau Lian	17 Monroe Highway	Winder	GA	30680	(770) 307-2900
MANG, Hau Lian	401 Gainesville Hwy	Winder	GA	30680	(863) 688-1188
JANGAM, Thang	2295 Townlake Pkwy.	Wood Stock	GA	30189	(770) 517-2080
KYAW, Sai M.	6236 Holly Springs Pkwy	Woodstock	GA	30188	(770) 928-5530
THAWNG, Biak Tha	12165 Highway 92	Woodstock	GA	30188	(770) 517-1600
CJUNG, Joseph	4403 Towne Lake Parkway	Woodstock	GA	30189	(770) 516-2040
THANG, Dal Lian	5339 Old Hwy 5.	Woodstock	GA	30188	(770) 924-2557
JANGAM, Thang	12050 Highway 92 Suite 112	Woodstock	GA	30188	(770) 591-2890
LUM, Keli'i S	98-1277 Kaahumanu St.	Aiea	HI	96701	(808) 483-5900
KIM, Scott	91-1119 Keaunui Drive	Ewa Beach	HI	96706	(808) 683-3200
Kahng, Sung W	91-1119 Keaunui Drive	Ewa Beach	HI	96706	(808) 683-3200
NGATZU, Pungram	381 E Maka'ala Street	Hilo	HI	96720	(808) 920-8870
LA, Ah	1234 S Beretania Street	Honolulu	HI	96814	(808) 535-1780
SHIN, Injoo	888 Kapahulu Ave.	Honolulu	HI	96816	(808) 733-2600
LI, Ben	2855 East Manoa Rd	Honolulu	HI	96822	(808) 988-2058
LUM, Keli'i S	848 Ala Lili'koi St.	Honolulu	HI	96818	(808) 831-6100
HUANG, Julie	377 KEAHOE ST.	HONOLULU	HI	96825	(808) 396-6337
CHOI, Wonchul	1360 Pali Hwy	Honolulu	HI	96813	(808) 566-6811
SHAN, Batmend Choidorj	1090 Hookele St	Kahului	HI	96732	(808) 359-2970
ARPIA, Carol M.	200 Hamakua Dr.	Kailua	HI	96734	(808) 233-5222
ARPIA, Carol M.	25 Kaneohe Bay Dr.	Kailua	HI	96734	(808) 254-2597
THWE, Myo Lin	1060 Keolu Drive	Kailua	HI	96734	(808) 266-5200
AUNG, Zaw Min	75-971 Henry Street	Kailua-Kona	HI	96740	(808) 329-2207
ARPIA, Carol M.	46-065 Kamehameha Hwy	Kaneohe	HI	96744	(808) 233-5800
LWIN, Khin Maung	4 - 831 Kuhio Highway	Kapaa	HI	96746	(808) 822-2464

Zenshi Food Service Counters  
Franchisee List  
As of March 31, 2024

Franchisee Name	Address	City	State	Zip	Phone
LUM, Kell'i S	590 FARRINGTON HWY.	Kapolei	HI	96707	(808) 674-0070
GUNHTANG, Hkunsoi	277 Piikea Ave	Kihei	HI	96753	(808) 891-9120
SHAN, Zaw	1221 Honoapilani Hwy	Lahaina	HI	96761	(808) 667-4392
DASHI, Nwawn Jaing	4454 Nuhou Street	Lihue	HI	96766	(808) 246-0290
LUM, Kell'i S	94-780 B Mehula Pkwy	Milliani	HI	96789	(808) 623-8111
LIAN, Van Uk	58 Maui Lani Parkway	Wailuku	HI	96793	(808) 243-3522
LIAN, Thawng Tha	94-809 Lumiaina St	Waipahu	HI	96797	(808) 664-7725
PI, Sang	1901 South 25th East	Ammon	ID	83406	(208) 524-8100
HTOO, Nay	5230 W. Franklin Rd.	Boise	ID	83705	(208) 429-6400
KHALID, Khallat Majeed	7100 W state St.	Boise	ID	83714	(208) 342-2756
LIAN, Lal Pek	10700 Ustick Road	Boise	ID	83713	(208) 322-7744
KYAW, Pyae Phyo	1520 N. Cole Road	Boise	ID	83704	(208) 375-2542
HKEAT, Eh Paw	3527 South Federal Way	Boise	ID	83705	(208) 424-7500
WIN, Kaung Zaw	3614 W State Street	Boise	ID	83703	(208) 426-9614
MUNG, Nang Sian	4700 North Eagle Rd.	Boise	ID	83713	(208) 939-5145
BLUT, Nay	10751 W. Overland Rd.	Boise	ID	83709	(208) 373-5200
HEIN, Kyaw	1650 W State Street	Boise	ID	83702	(208) 342-5651
THANG, Law Kee	560 West Kathleen Ave	Coeur D Alene	ID	83815	(208) 665-4700
MUNG, Nang Sian	250 South Eagle Rd.	Eagle	ID	83616	(208) 939-9850
KHALID, Khallat Majeed	640 Highway 16	Emmett	ID	83617	(208) 365-4420
MOO, Saw La	5425 Chinden Boulevard	Garden City	ID	83714	(208) 323-7020
KIM, Biak Than	1555 Northgate Mile	Idaho Falls	ID	83401	(208) 535-2520
PI, Sang	590 East 17th Street	Idaho Falls	ID	83404	(208) 523-0950
AWNG, J Sut	1024 21ST ST	Lewiston	ID	83501	(208) 743-1561
ZAW, Maung Than	1850 E. Fairview Ave.	Meridian	ID	83642	(208) 887-5240
LIAN, Lal Pek	3301 West Cherry Ave	Meridian	ID	83642	(208) 884-5471
BLU, Nay	1400 West Chinden Blvd	Meridian	ID	83646	(208) 893-6000
HANG, Nang Pum	1320 S. Blaine St	Moscow	ID	83843	(208) 883-0713
NUENG, Htee	50 Second St. South	Nampa	ID	83651	(208) 465-2824
MUNG, Khual Khan	800 Yellowstone Ave.	Pocatello	ID	83201-4461	(208) 239-4000
PI, Dhang	330 E. Benton St.	Pocatello	ID	83201	(208) 233-0455
CI, Men	705 Blue Lakes Blvd.	Twin Falls	ID	83301	(208) 736-5348
THAWNG, Cung Bawi	103 S Randall Rd.	Algonquin	IL	60102	(847) 854-0242
THAWNG, Cung Bawi	1501 East Algonquin Road	Algonquin	IL	60102	(847) 658-5635
THUE, Saw Poe	966 State Route 59	Antioch	IL	60002	(847) 395-7363
YOON, James Sangchul	122 N Vail Ave.	Arlington Heights	IL	60005	(847) 398-1430
NGUYEN, Thuy Phuong	440 E Rand Rd.	Arlington Heights	IL	60004	(847) 255-8740
LWIN, Milton Thar Phyo	1860 S. Arlington Heights Rd.	Arlington Heights	IL	60005	(847) 593-1730
LIAN, Zaeng	1157 Eola Road	Aurora	IL	60502	(630) 851-4657
LIAN, Zaeng	1952 W Galena Blvd	Aurora	IL	60506	(630) 859-1212
PAR, Tha Hlawm	150 Main St.	Barrington	IL	60010	(847) 381-4525
KHAI, Paoen	125 E Stearns Rd.	Bartlett	IL	60103	6305400856
KHAN, Thang Sian	1405 W Garfield	Bartonville	IL	61607	(309) 697-8811
PIANG, Thang Kim	119 Randall Rd.	Batavia	IL	60510	(630) 879-6622
HO, Joanna	1127 S York St.	Bensenville	IL	60106	(630) 238-0170
IANG, C C	1200 W Boughton Rd.	Bolingbrook	IL	60440	(630) 226-1892
PYAY, Aung Tha	633 Armour Rd	Bourbonnais	IL	60914	(815) 935-1650
JEONG, Hyojung Cho	79 McHenry Rd.	Buffalo Grove	IL	60089	(847) 459-3070
KYI, Khin Maung	501 N Giant City Road	Carbondale	IL	62902	(618) 457-5313
KHAI, Paoen	750 Army Trail Rd	Carol Stream	IL	60188	(630) 289-3700
WIN, Nay Tun	696 Northwest Hwy	Cary	IL	60013	(847) 639-3599
RUAN, Yun F.	424 W. Division	Chicago	IL	60610	(312) 642-2709
WU, Yan Yao	1340 S Canal Street	Chicago	IL	60607	(312) 850-3915
LIANG, Xiao L.	1763 W. Howard	Chicago	IL	60626	(773) 274-1287
SUNG, Ca Hlei	4355 N Sheridan Road	Chicago	IL	60613	(773) 477-7151
QI, Oscar	2550 N. Clybourn Ave.	Chicago	IL	60614	(773) 348-6426
PAK, Du Yon	1224 South Wabash	Chicago	IL	60605	(312) 663-0580
KIM, Tae Sook	3630 N Southport	Chicago	IL	60613	(773) 327-2330
LIANG, Jeffrey Hui	3400 N Western	Chicago	IL	60618	(773) 327-1204
HO, Peter	550 N. State St.	Chicago	IL	60610	(312) 527-2162
BAWI, Ciang Ngaih	3570 N. Elston Ave.	Chicago	IL	60618	(773) 583-9150
LIAN, Martin	4729 N Central Ave	Chicago	IL	60630	(773) 777-1142
LIAN, Martin	4250 N. Lincoln Ave	Chicago	IL	60618	(773) 472-6171
THANG, Pau sian	1341 N Paulina	Chicago	IL	60622	(773) 342-3410
SOE, Myo Min	1655 E. 95th Street	Chicago	IL	60617	(773) 731-9086
TUANG, Ciau Lam	4042 W. Foster Ave	Chicago	IL	60630	(773) 583-8080
SHON, Jeong Nock	1220 S Ashland Ave	Chicago	IL	60608	(312) 733-0153
SUN THANG, Ram Tiam Hngak	102 W. Division Street	Chicago	IL	60610	(312) 397-1130
KYANT, Sai Long	303 Holmes Ave	Clarendon Hills	IL	60514	(630) 654-3455
LIAN, Francis T	5545 Brainard Ave	Countryside	IL	60525	(708) 352-0120
THAWNG, Cung Bawi	6140 Northwest Hwy	Crystal Lake	IL	60014	(815) 356-8628
KARING, Bawn Htoi	7335 S Cass Ave	Darien	IL	60561	6309603177
SANGA, Zo Nun	1818 South Airport Plaza	Decatur	IL	62521	(217) 864-5031

Zenshi Food Service Counters  
Franchisee List  
As of March 31, 2024

Franchisee Name	Address	City	State	Zip	Phone
THANG, Lian Min	16 S Waukegan	Deerfield	IL	60015	(847) 498-2958
MAUNG, Zaw Theh	1320 Sycamore Rd	DeKalb	IL	60115	(815) 758-5478
BIK, CUNG	819 Elmhurst Rd.	Des Plaines	IL	60016	(847) 956-1220
SUI, Lily	6215 Main Street	Downers Grove	IL	60516	(630) 969-3105
LING, Lian Khar	1148 Ogden Ave	Downers Grove	IL	60515	(630) 963-0645
KHENG, Duh	1660 Larkin Ave	Elgin	IL	60123	(847) 695-7573
KHENG, Duh	1040 Summit Ave	Elgin	IL	60120	(847) 622-8112
YOON, James Sangchul	20 W Biesterfield	Elk Grove Village	IL	60007	(847) 593-1112
LIAN, Van	944 York Rd.	Elmhurst	IL	60126	(630) 834-0006
LIAN, Van	153 Schiller St.	Elmhurst	IL	60126	(630) 530-8790
THU, Brian	2485 Howard St.	Evanston	IL	60202	(847) 328-9791
LIANG, Xiao L.	1128 Chicago Ave	Evanston	IL	60202	(847) 869-7950
AUNG, Min Soe	1350 US Route 12	Fox Lake	IL	60020	8479739075
WIN, Nay Tun	800 NW Hwy 14	Fox River Grove	IL	60021	(815) 382-0981
AYE, Mah	599 East Roosevelt Rd.	Glen Ellyn	IL	60137	(630) 858-9096
THANG, Ram Zung	2164 Bloomingdale	Glendale Hts.	IL	60139	(630) 893-2770
LATT, Maung M	1340 Patriot Blvd	Glenview	IL	60026	(847) 657-3124
DION, Ki	2775 Pflingsten Rd	Glenview	IL	60026	(847) 564-8550
DION, Ki	2502 North Waukegan Road	Glenview	IL	60025	(847) 486-0864
LIAN, Kumar C	885 E. Belvidere Rd.	Grayslake	IL	60030	(847) 543-8976
CHERPUT, Cdin Thanga	6509 West Grand Avenue	Gurnee	IL	60031	(847) 855-1991
KYI, Khin Maung	1609 S Park Ave.	Herrin	IL	62948	(618) 942-4954
OO, Tun Tun	9528 S Roberts Rd.	Hickory Hills	IL	60457	(708) 599-5514
THANG, Lian Min	1600 Deerfield Rd.	Highland Park	IL	60035	(847) 579-0872
THANG, Lian Min	1600 Deerfield Rd.	Highland Park	IL	60035	(847) 579-0872
ZI, Ngun	1485 Palatine Rd.	Hoffman Estates	IL	60192	(847) 202-0586
TUANG, Pum Siam	1069 N Roselle Rd.	Hoffman Estates	IL	60195	(847) 882-3210
MAUNG, Aung Myo	14200 S. Bell Rd.	Homer Glen	IL	60491	(708) 301-0984
THWE, Su Myat	17705 South Halsted St.	Homewood	IL	60430	(708) 957-1810
MAUNG, Zaw Theh	10090 HWY 47	Huntley	IL	60142	(847) 802-3357
WIN, Thi Thi	13200 Village Green Dr..	Huntley	IL	60142	(847) 961-5597
LIAN, Francis T	507 E Woodlawn Ave	La Grange Park	IL	60526	(708) 354-4643
THANG, Lian Min	890 N. Western Ave.	Lake Forest	IL	60045	(847) 735-8018
ZI, Ngun	485 Ela Rd.	Lake Zurich	IL	60047	(847) 438-7300
NAWL, Biak	345 S Rand Rd	Lake Zurich	IL	60047	(847) 989-2962
OO, Aung Aung	1202 STATE STREET	Lemont	IL	60439	(630) 243-1925
CHONG, Sun	1300 South Milwaukee	Libertyville	IL	60048	(847) 816-8200
SUI, Lily	1156 Maple Ave	Lisle	IL	60532	(630) 964-5166
ZAW, Thiha	16625 W. 159th St.	Lockport	IL	60441	8158349516
NU, Sian	1177 S Main Street	Lombard	IL	60148	(630) 953-1390
KYI, Khin Maung	1704 Deyoung St.	Marion	IL	62959	(618) 993-6330
LIAN, Van Bawi	4222 Elm Street	McHenry	IL	60050	(815) 385-7030
TUN, Mehm Nyan	2051 Ridge Road	Minooka	IL	60447	(815) 467-0924
MARIP, Ah Lawt	1414 North Division	Morris	IL	60450	(815) 942-2374
LIAN, Henry V	1001 West Jackson	Morton	IL	61550	(309) 266-5366
BIK, CUNG	333 E Euclid Ave	Mount Prospect	IL	60056	(847) 394-9390
HLUN, Tial	415 South 42nd Street	Mt. Vernon	IL	62864	(618) 244-6210
Kee, Nant S.	1501 S Lake St.	Mundelein	IL	60060	(847) 566-6161
THANG, Zung Tin	1150 West Maple Ave.	Mundelein	IL	60060	(847) 970-9250
ZAATHANG, Ngun Thamawi	1759 W Ogden Ave.	Naperville	IL	60540	(630) 355-2172
KYANT, Sai Long	127 E. Ogden	Naperville	IL	60563	(630) 357-1040
KARING, Bawn Htoi	1227 Naper Blvd	Naperville	IL	60540	(630) 961-9050
AUNGNAING, Naikyal	2855 W 95th Street	Naperville	IL	60564	(630) 904-5119
HTAIKE, Nai Than	1550 E College Ave	Normal	IL	61761	(309) 452-7476
THANG, Peter Hrang Lian	5616 W 159th Street	Oak Forest	IL	60452	(708) 614-6700
RUAN, Yun F.	9424 S Pulaski	Oak Lawn	IL	60453	(708) 857-8274
SOE, Myo Min	4650 W 103rd St.	Oak Lawn	IL	60453	(708) 636-2520
THANG, Langh Tuan	3795 Orchard Road	Oswego	IL	60543	(630) 551-1347
NAING, Soe	2540 U.S. Route 30	Oswego	IL	60543	(630) 892-0029
JEONG, Hyojung Cho	45 South Plum Grove Road	Palatine	IL	60067	(847) 991-1888
SANG, Suan Thawn	423 E. Dundee Rd	Palatine	IL	60074	(847) 991-4545
MUNG, Lian Kap	481 Busse Hwy	Park Ridge	IL	60068	(847) 696-0824
GO CIN KHUAL, Gabriel	1607 Broadway Street	Pekin	IL	61554	(309) 353-5300
SING, Mang Za	9219 N Lindbergh Dr,	Peoria	IL	61615	(309) 691-8701
TLUANG DO, Biak Hmun Sang	2480 S. Route 59	Plainfield	IL	60586	8152543391
MEI, Jingjian	13460 S. Route. 59	Plainfield	IL	60585	8155772605
MYO, Hnin Zar Chi	7525 W. Lake St.	River Forest	IL	60305	(708) 771-0044
LWIN, Milton Thar Phyo	3000 Kirchoff Rd	Rolling Meadows	IL	60008	(847) 398-2060
CANGMAH, Ring Thang	20 South Weber Rd.	Romeoville	IL	60446	8152930665
Thein, Kyaw	3220 Chicago Rd.	S. Chicago Heights	IL	60411	(708) 755-7372
SWE, Thet Min	1151 S Roselle Rd.	Schaumburg	IL	60193	(847) 891-8388
TUANG, Pum Siam	2501 W. Schaumburg Rd.	Schaumburg	IL	60194	(847) 524-8960
CANGMAH, Ram Cunglian	199 Brookforest Ave	Shorewood	IL	60404	(815) 730-3944

Zenshi Food Service Counters  
Franchisee List  
As of March 31, 2024

Franchisee Name	Address	City	State	Zip	Phone
LUU, Bieu Dieu	9449 Skokie Blvd	Skokie	IL	60077	(847) 677-3331
MUNG, Thang Do	375 Randall Rd.	South Elgin	IL	60177	(847) 608-1460
LIAN, Van Bawi	2401 Route 12	Spring Grove	IL	60081	(815) 675-6716
NON, Chan Na	652 Kirk Rd.	St. Charles	IL	60174	(630) 587-0847
NON, Chan Na	2073 Prairie Street	St. Charles	IL	60174	(630) 584-7228
SU, Ma Su	7122 W. 40TH ST	Stickney	IL	60402	(708) 484-8421
PAR, Tha Hlawn	217 Irving Park Rd.	Streamwood	IL	60107	(630) 837-6015
THANG, Langh Tuan	465 North Route 47	Sugar Grove	IL	60554	(630) 466-1493
MAUNG, Zaw Theh	220 West Peace Rd	Sycamore	IL	60178	(815) 895-5276
AYE, Mah	33 St. Charles Rd	Villa Park	IL	60181	(630) 279-8900
LIAN, Henry V	20 Cherry Tree	Washington	IL	61571	(309) 444-8585
MANG, Chung Kho	547 Liberty St.	Wauconda	IL	60084	(847) 526-0964
CHERPUT, Cdin Thanga	3124 N Lewis Ave	Waukegan	IL	60087	(847) 249-1130
CHERPUT, Cdin Thanga	922 NORTH GREEN BAY ROAD	WAUKEGAN	IL	60085	(847) 662-0042
LON, Nga	1250 W. Main St.	West Dundee	IL	60118	(847) 428-3355
LIAN, Francis T	2128 Mannheim Rd	Westchester	IL	60154	(708) 531-9560
SUI, Lily	4 E Ogden	Westmont	IL	60559	(630) 323-9885
NAWL, UK	2031 N Main Street	Wheaton	IL	60187	(630) 682-0220
NAWL, UK	30 Danada SQ W	Wheaton	IL	60189	(630) 668-1172
AUNG, Myint	1517 Sheridan Rd	Wilmette	IL	60091	(847) 256-7790
AUNG, Myint	411 North Green Bay Rd.	Wilmette	IL	60091	(847) 256-7420
NAW, Ja	343 W Irving Park Rd	Wood Dale	IL	60191	(630) 773-4326
BAWKKHENG, Bual Tial	2317 W 75th Street	Woodridge	IL	60517	(630) 985-9380
OM, Thang K	145 South Eastwood Dr.	Woodstock	IL	60098	(815) 206-0499
THANG, Langh Tuan	234 East Veterans Pkwy	Yorkville	IL	60560	(630) 553-1617
THU, Maw	4025 S Old State Road 37	Bloomington	IN	47401	(812) 824-5200
VUNG, Zo Ngur	5810 E 71St St	Indianapolis	IN	46220	(317) 845-9653
THANG, Ci Lian	2864 Charlestown Rd.	Albany	IN	47150	(812) 944-7016
KIM, Van N.	1845 North Scatterfield Rd	Anderson	IN	46012	(765) 649-2276
LIAN, Van Cung	108 N State Road 267	Avon	IN	46123	(317) 272-4130
HMUNG, Sui Hre	1175 S College Mall Rd	Bloomington	IN	47401	(812) 333-5766
LIAN, Van Thawng	1825 Kinser Pike	Bloomington	IN	47404	(812) 335-6760
MAUNG, Tial	528 S College Ave	Bloomington	IN	47403	(812) 339-3351
HMUNG, Van Lian	500 S. Liberty Drive	Bloomington	IN	47403	(812) 349-1385
MANG, Ceu Chin	975 N. Green St.	Brownsburg	IN	46112	(317) 852-6076
MANGHLEI, Niuk	1217 S. Rangeline Rd.	Carmel	IN	46032	(317) 843-4431
THANG, Ci Lian	305 E. Lewis and Clark Parkway	Clarksville	IN	47129	(812) 948-1742
NAI, Nai Banya	621 Countryside Drive	Columbia City	IN	46725	(260) 244-3290
ZAATHANG, Chansawlin	3060 National Road	Columbus	IN	47201	(812) 376-9451
HNIANG, Amy Sui	389 Old Capital Plaza NW	Corydon	IN	47112	(812) 738-3225
LIAN, Thang Ci	785 East Main Street	Danville	IN	46122	(317) 745-8020
LANGLE, Win Maung	805 Joliet Street	Dyer	IN	46311	(219) 864-0078
ZATHANG, Carson Lenza	9799 E. 116th Street	Fishers	IN	46037	(317) 913-5500
HNIN, Suitin Cer	11700 Olio Road	Fishers	IN	46037	(317) 598-8400
LIAN, Bawi	7272 Fishers Crossing Drive	Fishers	IN	46038	(317) 579-0201
HNIANG, Amy Sui	815 Highlander Point Dr.	Floyds Knobs	IN	47119	(812) 923-5074
SORN, Jaw	4120 N Clinton Road	Fort Wayne	IN	46805	(260) 484-7021
KHAM, Gregory Thang Suan	1125 W State Blvd	Fort Wayne	IN	46808	(260) 426-3453
KHAM, Gregory Thang Suan	10230 Chestnut Plaza Drive	Fort Wayne	IN	46814	(260) 625-6031
MAI, Christina Doi	6002 St. Jose Center Road	Fort Wayne	IN	46835	(260) 485-9611
DAL, Kham Khen	601 East DuPont Road	Fort Wayne	IN	46825	(260) 637-4504
HTAY, Maung	5725 Coventry Lane	Fort Wayne	IN	46804	(260) 432-2305
CLASS, Nai	6310 E. State Blvd	Fort Wayne	IN	46815	(260) 749-5102
THLUAI, Ngun Tin	970 North Morton Street	Franklin	IN	46131	(317) 736-6004
SAW, Min Min	209 Chicago Ave	Goshen	IN	46526	(574) 533-9949
CHERPUT, Vanlal Muana	821 Indianapolis Road	Greencastle	IN	46135	(765) 653-8032
KI, Dawt	1571 North State Street	Greenfield	IN	46140	(317) 462-3451
THAWNG, Cung	3100 Meridian Park Drive	Greenwood	IN	46142	(317) 887-5745
LING, Ceu	2200 Independence Dr.	Greenwood	IN	46143	(317) 883-4140
THANG, Maung Lian	5961 N STATE ROAD 135	Greenwood	IN	46143	(317) 530-3086
LUAI, Ngun Li	5350 E Thompson Road	Indianapolis	IN	46237	(317) 781-3560
THANG, Sairas	2629 East 65th Street	Indianapolis	IN	46220	(317) 255-1498
KHUMA, Ri	7101 E. 10th Street	Indianapolis	IN	46219	(317) 352-1721
KHUMA, Ri	10450 E Washington St	Indianapolis	IN	46229	(317) 895-2245
HLEN, Mang	2550 Lake Circle Lane	Indianapolis	IN	46268	(317) 879-2460
NUN, Joel Bawi	227 W. Michigan Street	Indianapolis	IN	46204	(317) 262-5215
SIN, Grace Hniarcer	1330 West Southport Road	Indianapolis	IN	46217	(317) 884-4245
MON HONG ZAR, Aie Weng	11101 Pendleton Pike	Indianapolis	IN	46236	(317) 823-3240
MON HONG ZAR, Aie Weng	9835 Fall Creek Road	Indianapolis	IN	46256	(317) 577-3481
CUNG, James Vanbiak	4202 S. East Street	Indianapolis	IN	46227	(317) 721-4245
AWM, Lal Rin	8130 E. Southport Road	Indianapolis	IN	46259	(317) 245-4453
CING, Cing	5911 South Madison Avenue	Indianapolis	IN	46227	(317) 783-4947
FACHAI, Nawbi	1365 E.86th Street	Indianapolis	IN	46240	(317) 217-1190

Zenshi Food Service Counters  
Franchisee List  
As of March 31, 2024

Franchisee Name	Address	City	State	Zip	Phone
Van, Chris Thawngci	5718 Crawfordsville Road	Indianapolis	IN	46224	(317) 240-5000
HU, Lian Z.	8745 S Emerson Ave	Indianapolis	IN	46237	(317) 884-3320
RUAT, Lal Rem	1027 Jeffersonville Commons Dr.	Jeffersonville	IN	47130	(812) 283-5222
SADAI, EI	310 W North St	Kendallville	IN	46755	(260) 347-9155
THANG, Van	605 N. Dixon Highway	Kokomo	IN	46901	(765) 457-2514
MANG, Steven H.	2513 Maple Point Dr.	Lafayette	IN	47905	(765) 447-7533
RAMMAHTAW, Ong Sike	2420 N. Lebanon Street	Lebanon	IN	46052	(765) 482-7274
LEN, Za Nei Par	1600 S. Ohio	Martinsville	IN	46151	(765) 342-7151
THAWNG, Cung	530 S Indiana St.	Mooseville	IN	46158	(317) 831-0241
RAMARN, Nai	1500 W. McGalliard	Muncie	IN	47304	(765) 751-1500
THANG, Ni Lian	715 S. Tillotson Ave.	Muncie	IN	47304	(765) 213-1200
LANGLE, Win Maung	716 Ridge Rd	Munster	IN	46321	(219) 836-1118
HNIANG, Amy Sui	200 New Albany Plz	New Albany	IN	47150	(812) 948-2817
CLASS, Nai	821 Lincoln Hwy W	New Haven	IN	46774	(317) 217-1190
KHAI, Go Khan	14800 Hazel Dell Crossing	Noblesville	IN	46062	(317) 844-1004
THANG, Lian Khawcin	172 W. Logan Street	Noblesville	IN	46060	(317) 776-3344
NAWLTHANG, Ngun Hleitlal	1930 E Main St	Plainfield	IN	46168	(317) 839-7961
MUANG, Thang Sian	3701 National Road E	Richmond	IN	47374	(765) 935-1244
THANG, Uk Tha	202 S Main St	Rushville	IN	46173	(765) 932-5511
RUAT, Lal Rem	7605 High Way 311	Sellersburg	IN	47172	(812) 246-4730
THANG, Uk Tha	1601 E Michigan Rd	Shelbyville	IN	46176	(317) 421-3250
MANG, Tial Cung	2140 Fort Harrison Rd	Terre Haute	IN	47804	(812) 466-6861
MANG, Tial Cung	2650 Wabash Ave	Terre Haute	IN	47803	(812) 232-4519
MANG, Tial Cung	4714 S US HWY 41	Terre Haute	IN	47802	(812) 232-8379
THANG, David Van Ro	2211 E Center Street	Warsaw	IN	46580	(574) 267-8848
ZAA THANG, Biak Hlei	1032 Sagamore Pkwy W	West Lafayette	IN	47906	(765) 464-1456
CIN, Siang Cung	17447 Carey Road	Westfield	IN	46074	(317) 867-1002
CEM, Cung Dawt	150 W. 161 Street	Westfield	IN	46074	(317) 867-6314
PENG, Hram	5 Boone Village	Zionsville	IN	46077	(317) 873-2366
DIM, Tial	10679 N. Michigan Road	Zionsville	IN	46077	(317) 733-2560
TUANG, Dal Khan	618 West 6th Street	Junction City	KS	66441	(785) 238-2141
THANG, Miriam Ct	1015 W. 23rd St.	Lawrence	KS	66046	(785) 841-3366
LIAN, Philip Ral Bawi	4701 West 6th	Lawrence	KS	66049	(785) 838-0100
SUI, Mah	1740 Massachusetts St.	Lawrence	KS	66044	(785) 842-2434
KHAM, Kham	3000 W. 6th St.	Lawrence	KS	66049	(785) 843-0652
THIAM, Lydia Van Nei	720 Eisenhower Road	Leavenworth	KS	66048	(913) 250-3500
LASHAM, Tu Lum	1101 Westloop Place	Manhattan	KS	66502	(785) 539-7631
TUANG, Dal Khan	130 Sarber Lane	Manhattan	KS	66502	(785) 776-9285
KYI, Khando	711 Martin Luther King Jr.	Ashland	KY	41101	(606) 325-8231
KYI, Khando	370 Diedrich Blvd/ Greenup Mall	Ashland	KY	41101	(606) 325-8911
LIAN, Ezra Ngun Thawm	102 West John Rowan Blvd	Bardstown	KY	40004	(502) 348-2864
MUNG, Zam	711 Campbell Lane	Bowling Green	KY	42104	(270) 783-0701
WEI, Wei	350 US 31W BYP.	Bowling Green	KY	42101	(270) 796-5987
WEI, Wei	2945 SCOTTSVILLE RD	Bowling Green	KY	42104	(270) 780-9887
LIAN, Philip Van	568 River Ridge Plaza	Brandenburg	KY	40108	(270) 422-5464
KO KO, Maung Win Htet	200 Skywatch Drive	Danville	KY	40422	(859) 236-3987
THANG, Ngun Ling	111 Towne Drive	Elizabethtown	KY	42701	(270) 737-1707
THANG, Ngun Ling	3040 Dolphin Drive	Elizabethtown	KY	42701	(270) 765-5229
KAP, Thang Khen	302 Brighton Park Blvd	Frankfort	KY	40601	(502) 695-4860
LIAN, Ceu Cung	1309 US HIGHWAY 127 S	Frankfort	KY	40601	(502) 875-0124
MYINT, Sar Sar	106 Marketplace Circle	Georgetown	KY	40324	(502) 868-5068
KO KO, Maung Win Htet	844 S College St	Harrodsburg	KY	40330	(859) 734-0081
TAWNG, Brang	2034 S Highway 53	LaGrange	KY	40031	(502) 222-0269
LIAN, Ceu Cung	1300 Anderson Crossing Dr	Lawrenceburg	KY	40342	(502) 859-0234
SOE, Maung Maung	150 W Lowry Lane	Lexington	KY	40503	(859) 278-6228
CUNG, Van La	3650 Boston Road	Lexington	KY	40514	(859) 223-8088
CUNG, Van La	4750 Hartland Parkway	Lexington	KY	40515	(859) 273-2557
TUN, Oo Kyaw	3101 Richmond Road	Lexington	KY	40509	(859) 266-9205
ZAN, Myat Myat	704 Euclid Ave	Lexington	KY	40502	(859) 269-6804
KO, Win Min	1600 LEESTOWN RD, Suite 150	Lexington	KY	40511	(859) 259-0933
ZAN, Aung Myo	4110 Tates Creek Centre Drive	Lexington	KY	40517	(859) 273-1100
TLUANGA, Jonathan Lalnun	3175 Beaumont Center Circle	Lexington	KY	40513	(859) 219-1091
MO, Sai	1650 BRYAN STATION ROAD	LEXINGTON	KY	40505	(859) 293-5969
SUAN, Pau Za	1808 Alexandria Drive	Lexington	KY	40504	(859) 276-3556
LWIN, Win Aung	1060 CHINOE ROAD	Lexington	KY	40502	(859) 335-4706
THANG, Cung	12501 Shelbyville Road	Louisville	KY	40243	(502) 244-7957
NGEH, Mi	9080 Taylorsville Rd.	Louisville	KY	40299	(502) 499-6912
SUM, Albert	9812 Linn Station Rd	Louisville	KY	40223	(502) 423-0943
SUM, Albert	3039 Breckenridge Lane	Louisville	KY	40220	(502) 452-6445
SUM, Albert	4501 Outerloop	Louisville	KY	40219	(502) 969-2855
SUM, Albert	3616 Buechel Bypass	Louisville	KY	40218	(502) 456-6522
HNING, Gi	5001 Mud Lane	Louisville	KY	40229	(502) 962-7744
THANG, Pau Khan	12611 TAYLORSVILLE RD.	Louisville	KY	40299	(502) 261-0251

Zenshi Food Service Counters  
Franchisee List  
As of March 31, 2024

Franchisee Name	Address	City	State	Zip	Phone
SOE, Shein Tayzar	291 North Hubbard Lane #130	Louisville	KY	40207	(502) 895-8308
SOE, Shein Tayzar	9501 WESTPORT ROAD	Louisville	KY	40241	(502) 425-0065
TAWNG, Brang	9440 Brownsboro Rd.	Louisville	KY	40241	(502) 425-8542
HNEM, Sui	2200 Brownsboro Road	Louisville	KY	40206	(502) 897-1133
HRE, Ngun Tun	4915 Dixie Highway	Louisville	KY	40216	(502) 448-8215
WANG, Lu	6900 Bardstown Road	Louisville	KY	40291	(502) 239-2115
SUM, Patrick	2440 Bardstown	Louisville	KY	40205	(502) 459-9805
LIAN, Paul Sang	4009 POPLAR LEVEL RD.	LOUISVILLE	KY	40213	(502) 454-3914
LIAN, Paul Sang	1265 GOSS AVENUE	LOUISVILLE	KY	40217	(502) 634-0724
AYE, Chan	12450 La Gange Road	Louisville	KY	40245	(502) 241-1311
SHU, Sa San	7509 Terry Road	Louisville	KY	40258	(502) 935-8954
SHU, Sa San	10645 Dixie Hwy	Louisville	KY	40272	(502) 937-5205
NGURHMINGTHANGA, Benjamin	2710 W Broadway	Louisville	KY	40211	(502) 778-3346
NGURHMINGTHANGA, Benjamin	3165 S 2nd St	Louisville	KY	40208	(502) 368-6075
NGURHMINGTHANGA, Benjamin	520 N 35th St.	Louisville	KY	40212	(502) 776-3713
MANG, Cin Go	5533 New Cut Rd.	Louisville	KY	40214	(502) 361-7446
THANG, Pau Lam	2219 Holiday Manor Court	Louisville	KY	40222	(502) 813-3220
NAI, Chan	300 Kroger Center	Morehead	KY	40351	(606) 784-7529
CHAN, Rebecca	810 Indian Mount Drive	Mt. Sterling	KY	40353	(859) 497-4314
WANG, Lu	234 Eastbrooke Parkway	Mt. Washington	KY	40047	(502) 538-1240
ZAW, Khant	170 BELLERIVE BLVD	NICHOLASVILLE	KY	40356	(859) 219-1058
ZAW, Khant	995 South Main St.	Nicholasville	KY	40356	(859) 887-1201
ZAW, Khant	220 East Brannon Road	Nicholasville	KY	40356	(859) 971-4300
THAWNG, Nang Deih	1670 Starlite Drive	Owensboro	KY	42301	(270) 926-1607
THAWNG, Nang Deih	2630 Frederica Street	Owensboro	KY	42301	(270) 684-9411
CEU, Van Lal Lian	5929 Timber Ridge Drive	Prospect	KY	40059	(502) 292-2464
NAING, Myo	890 RICHMOND PLAZA	RICHMOND	KY	40475	(859) 624-1091
IANG, Saw Za	311 Boone Station Road	Shelbyville	KY	40065	(502) 633-1625
HNING, Gi	185 Adam Shepherd Pkwy	Shepherdsville	KY	40165	(502) 543-7242
SIAM, Lal Nun	50 Stonegate Center	Somerset	KY	42501	(606) 678-0202
SIAM, Lal Nun	181 S. HWY 27	Somerset	KY	42501	(606) 678-5147
CHHAKCHHUAK, Mordecai Zodinliana	212 Kroger Way	Versailles	KY	40383	(859) 873-7704
SIAM, Lal Nun	1187 N. Highway 27	Whitley City	KY	42653	(606) 376-2700
ZIN, Philippo	1661 Bypass Road	Winchester	KY	40391	(859) 745-4959
LIN, YOU ZHI	1065 COMMONWEALTH AVE	Allston	MA	02215	(617) 783-5878
OO, Thu Zar	71 Dodge Street	Beverly	MA	01915	(978) 232-9104
Sunny, Seng	33 Kilmarnock Street	Boston	MA	02215	(617) 267-4684
GARCHA, Samten Norbu	53 Huntington Ave	Boston	MA	02116	(617) 262-4688
RAI, Ajay	370 western Ave.	Brighton	MA	02135	(617) 787-5266
RAI, Purna Kala	699 Mt. Auburn Street	Cambridge	MA	02138	(617) 876-1450
TUN, Sunny	49 White St.	Cambridge	MA	02140	(617) 492-5566
LIN, Kyaw Htin	95 Washington Street	Canton	MA	02021	(781) 828-1446
SHERPA, Angtenjen	45 Morrissey Blvd	Dorchester	MA	02124	(617) 265-1776
TIN, Mimi Htwe	246 Border Street	East Boston	MA	02128	(617) 567-4116
ZOU, Mei Ya	1 Snow Road	Marshfield	MA	02050	(781) 837-5100
VILASA, FNU	230 Main St	Medfield	MA	02052	(508) 359-8713
WU, Yong Fan	690 Depot Street	North Easton	MA	02356	(508) 238-0165
LAUNG, Sai	210 Andover St.	Peabody	MA	01960	(978) 532-5434
SU, Peijiang	130 Granite Street	Quincy	MA	02169	(617) 770-0841
BRAHMACARIYA, FNU	780 South Main Street	Sharon	MA	02067	(781) 784-5995
CHEN, Melanie Wan	14 McGrath Hwy	Somerville	MA	02143	(617) 625-4070
MADA, William	14 West Boylston St.	Worcester	MA	01605	(508) 852-7670
CEU, Thawng	15501 Annapolis Rd, Ste 400	Bowie	MD	20715	(301) 383-2935
NIKAM, Tuan Cung Ceu	22700 Sweet Shrub Dr.	Clarksburg	MD	20871	(301) 916-7280
WIN, Phyu Phyu	8620 Guilford Rd	Columbia	MD	21046	(410) 290-5902
LIAN, Titus	10125 Ward Rd.	Dunkirk	MD	20754	(443) 550-1581
HLAING, Samuel Ko Ko	28528 MARLBORO AVE	Easton	MD	21601	(410) 690-7203
GYI, Sai Koko	11075 Resort Rd	Ellicott City	MD	21042	(410) 313-8215
OO, Tun	8184 Westside Drive	Fulton	MD	20759	(301) 635-5761
THAWNG, John S Ngun	14702 Baltimore Ave	Laurel	MD	20707	(301) 490-6039
THOM TE, Cin Cin Pau	18169 Towncenter Dr.	Olney	MD	20832	(301) 260-1792
TLUANGI, Zo Than	2900 Paris Rd	Columbia	MO	65202	(573) 474-9418
TLUANGI, Zo Than	1729 W Broadway	Columbia	MO	65203	(573) 445-9433
SANGTUALA, James	2101 Schotthill Woods Dr	Jefferson City	MO	65101	(573) 659-3600
SANGTUALA, James	2805 W Truman Blvd	Jefferson City	MO	65109	(573) 893-3111
MYINT, Aung	6999 Jackrabbit Lane	Belgrade	MT	59714	(406) 388-0901
THAN, Maung Khin	511 Central St.	Billings	MT	59102	4062450115
TIN, Ye Min Htut	670 Main St.	Billings	MT	59105	(406) 245-8792
TUN, Tun Gyi	1212 Grand Ave	Billings	MT	59102	(406) 245-4118
TUN, Tun Gyi	3137 Grand Ave	Billings	MT	59102	(817) 232-2777
Htun, Thiha	200 S 23rd St.	Bozeman	MT	59718	(406) 586-4785
Htun, Thiha	1735 W. Main Street	Bozeman	MT	59715	(406) 587-9017
NAING, Maung Than Aung	2500 Massachusetts Ave	Butte	MT	59701	(406) 494-7046

Zenshi Food Service Counters  
Franchisee List  
As of March 31, 2024

Franchisee Name	Address	City	State	Zip	Phone
TIN, U Tin	570 North Montana Street	Dillon	MT	59725	(406) 683-5002
FALALIMPA, Karell Ann Buysong Paule	2250 10th Ave South	Great Falls	MT	59405	(406) 727-3700
Estorque, Ayesha Gardose	1414 3rd Street NW	Great Falls	MT	59404	(406) 761-6800
VEN, Sang Bawi	611 N Montana Street	Helena	MT	59601	(406) 443-1598
THANG, Tluang Za Hlei	900 W Idaho Street	Kalispell	MT	59901	(406) 257-7127
SAN, Ngun Lin	117 W. Janeaux St.	Lewistown	MT	59457	(406) 538-5454
YAL, Maung	2120 W. Park St.	Livingston	MT	59047	(406) 222-1177
SHWE, Tway Tway Soe	1003 E. Broadway Street	Missoula	MT	59802	(406) 549-2351
ZAW, May Pyone	2230 N Reserve St.	Missoula	MT	59808	(406) 728-1116
NAING, Myo	3800 Russell St.	Missoula	MT	59801	(406) 549-1547
LEL, Sei Kho	146 S. Shore Route	Polson	MT	59860	(406) 883-2340
THANG, Tluang Za Hlei	6580 Highway 93 South	Whitefish	MT	59937	(406) 862-3006
WIN, Nyunt	11109 US 15 501 Hwy Ste B 1804	Aberdeen	NC	28315	(910) 692-7029
CHIEN, Hon Chang	750 W. Williams St.	Apex	NC	27523	(919) 362-3782
CUNG, Van Ro	940 US Highway 64 W	Apex	NC	27523	(919) 380-1422
MAN, Vung Zam	1441 Kelly Road	Apex	NC	27502	(919) 303-6200
SUNG, Nu	1830 Hendersonville Road	Asheville	NC	28803	(828) 274-6287
CHEN, Guang	905 South Point Rd.	Belmont	NC	28012	(704) 825-6079
CUAI, Tin	1620 Blowing Rock Rd	Boone	NC	28607	(828) 263-8126
LUM, Gyung	2750 S. Church St.	Burlington	NC	27215	(336) 586-1873
THIN, Mya	2727 South Church Rd.	Burlington	NC	27215	(336) 585-1444
SUI, Esther Ngun Duh	1018 Lake Park Blvd N	Carolina Beach	NC	28428	(910) 458-8615
OO, Zaw Lwin	310 N. Greensboro St.	Carrboro	NC	27510	(919) 942-8564
THANGA, Lal Lian	270 Grande Heights Dr.	Cary	NC	27513	(919) 460-4326
THANGA, Lal Lian	1273 NW Maynard Rd	Cary	NC	27513	(919) 380-9955
OO, Maung Zaw Min	10140 Green Level Church Rd.	Cary	NC	27519-8341	(919) 460-3126
LIAN BIK, Cung	425 Emissary Drive	Cary	NC	27519	(919) 388-7201
PAR, Kei Than	7145 Okelly Chapel Rd	Cary	NC	27519	(919) 465-9432
UK, Van Thawng	1020 Bradford Plaza Way	Cary	NC	27519	(919) 460-2082
KIMTEI, Tha Lian	885 Walnut St	Cary	NC	27511	(919) 481-4251
MON, Nai Chan	98 Cornerstone Dr.	Cary	NC	27519	(919) 467-1259
SOE, Thu Ra	3430 Ten Ten Road	Cary	NC	27518	(919) 387-8272
MAWI, Sui Nei	3480 Kildaire Farm Road	Cary	NC	27518	(919) 303-4028
THANG, Tuan Hlei	1151 Tryon Village Drive	Cary	NC	27518	(919) 233-3476
CEU, Biak	2110 Estes Dr.	Chapel Hill	NC	27514	(919) 933-5700
OO, Maung Zaw Min	88 Chatam Downs Dr.	Chapel Hill	NC	27517	(919) 960-0275
YI, Hla Hla	116 W. Barbee Chapel Rd.	Chapel Hill	NC	27517	(919) 932-5020
NI, Shwe	1800 Martin Luther King Jr. Blvd	Chapel Hill	NC	27514	(919) 968-0110
THAN, Khin Maw	11222 Providence Road W	Charlotte	NC	28277	(704) 716-2344
SAN, Ruby	12810 S Tryon St	Charlotte	NC	28273	(704) 587-0339
KIM, Esther	2222 South Blvd	Charlotte	NC	28203	(704) 373-2122
KIL, Ni	8120 South Tryon Street	Charlotte	NC	28273	(704) 583-2323
SANG, Mung Kai	4425 Randolph Rd.	Charlotte	NC	28211	(703) 373-2122
LIAN, Siang	10110 Benfield Road	Charlotte	NC	28269	(704) 992-6951
LE, Victor C.	24 Publix Dr	Clayton	NC	27527	(919) 550-2812
JOHN LAL TAN, Thang	4150 Clemmons Rd	Clemmons	NC	27012	(336) 778-1445
CIN, Sian Kip	3150 Gammon Ln.	Clemmons	NC	27012	(336) 766-2069
UK, Thawng	358 George W. Liles Pkwy N.W.	Concord	NC	28027	(704) 786-2510
U, Bi	9900 Poplar Tent Rd.	Concord	NC	28027	(704) 721-0735
SANG, Mung Kai	5015 Weddington Road	Concord	NC	28027	(704) 795-7127
LIAN, Niang Pan	21720 Catawba Ave	Cornelius	NC	28031	(704) 895-5351
THANG, Pau Khan	8315 Magnolia Estates Drive	Cornelius	NC	28031	(704) 895-7057
JEROME, Saw	601 Currituck Clubhouse Rd.	Corolla	NC	27927	(252) 453-0153
Fachhai, Zan Thang	431 Peninsula Dr	Davidson	NC	28036	(704) 892-0597
LUAI, Mang	513 Brentwood Rd.	Denver	NC	28037	(704) 483-7152
LIN, Soe	149 Cross Center Dr. Suite 111	Denver	NC	28037	(704) 820-0332
LIAN, LAL	1501 Horton Rd.	Durham	NC	27705	(919) 471-1938
ZUL, Peter Siang Nawl	1125 West NC 54 Hwy., Ste 401	Durham	NC	27707	(919) 403-0794
SOE, Nai Hlaing	1802 North Pointe Dr	Durham	NC	27705	(919) 220-5761
SAILO, Biakhnuna	3457 Hillsborough Rd.	Durham	NC	27705	(919) 383-2249
Ha, Min Thi	1065 Yunus Road	Durham	NC	27703	(863) 688-1188
HTET, Ye	2107 Hillsborough Rd	Durham	NC	27705	(919) 286-1500
LIAN, Josephlal	5116 N. Roxboro Rd.	Durham	NC	27712	(919) 471-6263
Mang, Ji Remmawi	202 NC-54	Durham	NC	27713	(919) 361-9893
JAHAU, Lalchhanmawia	1817 Martin Luther King Jr. Pkwy.	Durham	NC	27707	(919) 489-9887
MON, Ban Yar	8800 Crew Drive	Emerald Isle	NC	28594	(252) 354-2104
PHYU, Naw Htar	3050 Traemoor Village Dr.	Fayetteville	NC	28306	(910) 424-3505
SMITH, William	3114 Raeford Rd.	Fayetteville	NC	28303	(910) 321-0114
LIAN, Centenary Diamond Medal	1371 E. Broad St.	Fuquay-Varina	NC	27526	(919) 567-7423
KHAING, Aye Aye	3350 Robinwood Rd	Gastonia	NC	28054	(704) 524-3590
KUK, Sui	1949 Hoffman Road	Gastonia	NC	28054	(704) 853-7000
BIGJAHONGSAR, Lyah Non	2120 Wayne Memorial Dr.	Goldensboro	NC	27534	(919) 734-3534
HUM, Andrew	401 Pisgah Church Rd.	Greensboro	NC	27455	(336) 545-0236

Zenshi Food Service Counters  
Franchisee List  
As of March 31, 2024

Franchisee Name	Address	City	State	Zip	Phone
PAR, Sui Rem	1605 New Garden Rd.	Greensboro	NC	27410	(336) 855-9095
MUANA, Lal Rin	5710 High Point Rd.	Greensboro	NC	27407	(336) 854-4050
FEL, Lai Dik	4010 Battleground Ave.	Greensboro	NC	27410	(336) 288-2203
THAWN, Thang Lam	6029 W. Gate City Blvd.	Greensboro	NC	27407	(336) 894-2591
RUATA, Lal Rem	2639 Lawndale Dr	Greensboro	NC	27408	(336) 545-1354
SINT, Than Than	701 Francis King St.	Greensboro	NC	27410	(336) 856-8140
MOLO, Podah S	705 Greenville Blvd SE	Greenville	NC	27858	(252) 756-4682
TIN, Van	2120 E. Fire Tower Rd.	Greenville	NC	27858	(252) 355-0125
TIN, Van	University Commons	Greenville	NC	27834	(252) 353-4400
KIM, Gin Khan	2765 NC Hwy 210 E	Hampstead	NC	28443	(910) 329-1000
LIAN, Ni Ceu	12190 University City Blvd	Harrisburg	NC	28075	(704) 454-9905
SANG, Mung Kai	4055 Harris Square Dr.	Harrisburg	NC	28075	(704) 454-7832
IANG, Hnem	635 Market Village	Hendersonville	NC	28792	(828) 694-4440
PAING, William	36 29th Ave NorthEast	Hickory	NC	28601	(828) 322-3675
MUANA, Lal Rin	1589 Skeet Club Rd.	High Point	NC	27265	(336) 841-1144
LAMUNG, Jessica Dumdaw	2005 N Main Street	High Point	NC	27262	(336) 905-8610
SORN, Nai Ong Layi	324 Village Walk Dr.	Holly Springs	NC	27540	(919) 552-1596
HLAING, Myint Ko	5277 Sunset Lake Rd.	Holly Springs	NC	27540	(919) 363-3059
NAING, Soe	9815 Rose Commons Drive	Huntersville	NC	28078	(704) 948-4801
Moe, Tin Tin	15010 Village Crossing Road	Huntersville	NC	28078	(704) 977-0021
KYAW, Klaw Klay Paw	2001 Marlin Dr.	Jacksonville	NC	28546	(910) 353-0433
LIAN, David	971 South Main St.	Kernersville	NC	27284	(336) 992-9735
SHWE, Aung Myo Oo	2012 S. Croatan Hwy	Kill Devil Hills	NC	27948	(252) 449-9191
SWE, Than Than	1530 North Croatan Hwy	Kill Devil Hills	NC	27948	(252) 255-5006
JEROME, Saw	5400 North Croatan Hwy #A	Kitty Hawk	NC	27949	(252) 261-1931
Tluanga, Joseph Lalzui	1615 Providence Road South	Marvin	NC	28173	(704) 843-0119
LIU, James Zhi Yan	1811 Matthews Township Pkwy.	Matthews	NC	28105	(704) 846-7117
MANG, Nang	3110 Fincher Farm Road	Matthews	NC	28105	(704) 814-6001
THANG, Reuben Hau Hleih	6828 Matthews Mint Hill Road	Mint Hill	NC	28227	(704) 573-0234
SUI, Biak Mi	5132 Old Charlotte Hwy	Monroe	NC	28110	(704) 289-6598
KHAI, Do Suan	631 Brawley School Road	Mooresville	NC	28117	(704) 660-6800
BACKHAM, Smith	4093 Davis Dr.	Morrisville	NC	27560	(919) 380-0354
TUN, Myint Myint	2004 South Glenburnie Road	New Bern	NC	28562	(252) 634-1646
TUN, Yar Zar	5003 E Oak Island Dr.	Oak Island	NC	28465	(910) 278-6785
LIAN, Zatlina	1560 Market Place Blvd	Ocean Isle Beach	NC	28469	(910) 393-2059
HTAY, Zaw Min	6024 Falls Of Neuse Rd.	Raleigh	NC	27609	(919) 872-5786
LWIN, Maung Maung	5550 Creedmoor Rd.	Raleigh	NC	27612	(919) 787-1364
SIKE, Nai	3201 Edwards Mill Rd.	Raleigh	NC	27612	(919) 781-8776
HNEI, Sui	9640 Leesville Rd	Raleigh	NC	27613	(919) 848-3480
KI, Lai Mang	14520 John Rex Blvd	Raleigh	NC	27614	(919) 554-4167
PAR, Cung Lian	417 W Peace St	Raleigh	NC	27603	(919) 755-5444
REH, THAE	7400 Creedmoor Rd.	Raleigh	NC	27613	(919) 848-1464
SOE, Zaw Min	8101 Fayetteville Rd.	RALEIGH	NC	27518	(919) 772-0241
WIN, Nyunt	8345 Creedmoor Rd	Raleigh	NC	27613	(919) 659-8221
CEM, Tluang	13210 Strickland Rd.	Raleigh	NC	27613	(919) 676-3534
JOHNSON, Chuvee Kawhtoolei	3679 Sunset Ave	Rocky Mount	NC	27804	(252) 937-2535
WIN, Tun Tun	7883 Village Center N	Sherrills Ford	NC	28673	(828) 478-2644
AUNG, Kyaw	134 Venture Lane	Statesville	NC	28625	(704) 878-4073
SUE, Helen	3638 Rogers Rd.	Wake Forest	NC	27587	(919) 562-9521
THAR, VAN L	1030 Forestville Road	Wake Forest	NC	27587	(919) 556-6671
HTOO, Eh	1432 Brodgen Woods Dr.	Wake Forest	NC	27587	(919) 870-4980
KHAWNG, Joseph	13686 Capital Blvd	Wake Forest	NC	27587	(919) 554-3608
PAR, Ni Hluan	124 Frazier St.	Waynesville	NC	28786	(828) 454-5700
PAR, Ni Hluan	165 Weaver Blvd	Weaverville	NC	28787	(828) 658-1020
TUN, Han Win	2257 Wendell Falls Parkway	Wendell	NC	27591	(919) 365-7055
MOO, Eh	716 Bragg Drive	Wilmington	NC	28412	(910) 313-2201
KIM, Gin Khan	7144 Market Street	Wilmington	NC	28411	(910) 681-3555
SAY, Pa Aye	3401 Raleigh Road Parkway	Wilson	NC	27896	(252) 206-0831
LIANA, Hrang	2835 Reynolda Rd.	Winston Salem	NC	27106	(336) 761-0734
THANT, Myo Kyaw	2281 Cloverdale Ave.	Winston-Salem	NC	27103	(336) 777-1075
Lahkyu, Aung Limarip	5525 ROBIN LARK CIRCLE	Winston-Salem	NC	27106	(800) 242-1227
MAWI, Cer	5365 Robinhood Village Dr.	Winston-Salem	NC	27106	(336) 923-2441
THANGI, Lal Chhuan	422 South Stratford Rd.	Winston-Salem	NC	27103	(336) 723-2305
CIN, Sian Kip	34 Miller Street	Winston-Salem	NC	27104	(336) 724-3707
VENA, Van Lal	150 Grant Hill Lane	Winston-Salem	NC	27104	(336) 245-0467
MOE, Kyaw	415 N Main	Aztec	NM	87410	(505) 334-7334
AUNG, Aung	3540 East Main Street	Farmington	NM	87402	(505) 327-3349
LIAN, Joseph Thawng	980 N. U.S Highway 491	Gallup	NM	87301	(505) 722-7620
MAUNG, Yarzar Maung	2582 Idaho St.	Elko	NV	89801	(775) 738-8016
ORTEGA, Mario	5150 Mae Anne Ave.	Reno	NV	89523	(775) 746-9000
HUANG, Liping	1031 Steamboat Parkway	Reno	NV	89521	(775) 332-0910
HLAING, Theingi Soe	2858 Vista Blvd.	Sparks	NV	89434	(270) 352-8470
PAR, Van Duh	1008 Washington Blvd	Belpre	OH	45714	(740) 423-5885

Zenshi Food Service Counters  
Franchisee List  
As of March 31, 2024

Franchisee Name	Address	City	State	Zip	Phone
PAR, Van Duh	40 Acme St	Marietta	OH	45750	(740) 374-5855
LEE, James A	6055 SW 185th Ave	Aloha	OR	97078	(503) 642-7059
AUNG, Aung Ko-Lwin	3250 Leif Erickson Drive	Astoria	OR	97103	(503) 338-2960
WONGSOMADI, Budhiman	15995 SW Walker Rd.	Beaverton	OR	97006	(503) 690-5800
HEAP, Needa	14555 SW Seal Blvd.	Beaverton	OR	97007	(503) 590-9755
VUNG, Ning Zam	11425 SW Beavtrn-Hillsdale Hwy	Beaverton	OR	97005	(503) 526-1800
PIANG, Nang Muan	12032 S.E. Sunnyside Rd.	Clackamas	OR	97015	(503) 698-1121
PIANG, Dal Sian	6495 SE Tualatin Valley Hwy	Hillsboro	OR	97123	(503) 848-4550
CING, Don Khan	22075 NW Imbrie Drive	Hillsboro	OR	97124	(503) 747-1100
THU, Aung Mway	2249 Cascade Ave.	Hood River	OR	97031	(541) 386-1841
MEI, Bing Liang	401 A Ave.	Lake Oswego	OR	97034	(503) 675-4480
PIANG, Kam Hau	615 SW Keck Drive	McMinnville	OR	97128	(503) 474-1087
CIN GO KAP, Mark	1525 West Main St	Molalla	OR	97038	(503) 829-4848
LAI, Hau Nuam	3300 Portland Rd. Suite 100	Newberg	OR	97132	(503) 537-1358
MAW, Saw Myat	13434 Colton Place	Oregon City	OR	97045	(503) 655-8155
PAU, Nang Khan	8145 SW Barbur Blvd	Portland	OR	97219	(503) 452-6068
HONGSA, Nai	1010 S.W. Jefferson St.	Portland	OR	97201	(503) 205-1849
CHI, Hong Cheng	3805 SE Hawthorne Blvd.	Portland	OR	97214	(503) 872-3300
OO, Shine K	1303 NW Lovejoy	Portland	OR	97209	(503) 205-6746
SUAN, Khup Thang	3030 NE Weidler St	Portland	OR	97232	(503) 280-1308
KHO, Rustum M	13485 N.W Cornell Rd.	Portland	OR	97229	(503) 350-2080
SANG, Zam Lam	3930 S.E. Powell	Portland	OR	97202	(503) 772-4440
THANG, Hau Lian	2800 S.E. Hawthorne Street	Portland	OR	97214	(503) 236-7070
OO, Myint	15570 SW PACIFIC HWY	PORTLAND	OR	97224	(503) 598-6001
AUNG, Htay	7700 SW Beavertn-Hillsdale Hwy	Portland	OR	97225	(503) 292-0731
KYI, Ethan Kwah	100 NW 20th Pl.	Portland	OR	97209	(503) 228-4821
LWIN, Zaw Min	4515 SE Woodstock	Portland	OR	97206	(503) 788-7600
MOE, Aye T	6901 N.E. Sandy Blvd	Portland	OR	97213	(503) 280-1200
PIANG, Nang Kam	7404 Interstate Ave	Portland	OR	97217	(503) 286-6751
PIANG, Nang Kam	6850 N. Lombard	Portland	OR	97203	(503) 240-2700
HAU, Kap Suan	7555 SW Barbur Blvd.	Portland	OR	97219	(503) 452-3000
AYE, Tun Tun	51501 S. Columbia River Hwy	Scappoose	OR	97056	(503) 543-4508
DENG, Feng Juan	401 S. Roosevelt	Seaside	OR	97138	(503) 738-4700
OO, Myint	20685 Sw Roy Rogers Rd	Sherwood	OR	97140	(503) 625-4760
AUNG, Marry	11565 SW Pacific Highway	Tigard	OR	97223	(503) 293-7061
CIANG, Kim Khan	14300 SW Barrows Rd	Tigard	OR	97223	(503) 590-0543
LAITHANG, Yenaing	25691 SE Stark Street	Troutdale	OR	97060	(503) 667-1722
THANG, Cin Lam	19200 SW Martinazzi Ave	Tualatin	OR	97062	(503) 691-4208
AUNG, Aung Ko-Lwin	695 Highway 101	Warrenton	OR	97146	(503) 861-3003
TOO, Too	22000 Salamo Road	West Linn	OR	97068	(503) 650-8954
KHE, Shwe	30300 SW Boones Ferry Road	Wilsonville	OR	97070	(503) 570-3509
Qi, Qi	8255 SW Wilsonville Road	Wilsonville	OR	97070	(503) 682-9053
AUNG, Myo Nyunt	1795 Whiskey Rd	Aiken	SC	29803	(803) 642-5280
NAWL, Za	250 Eastgate Dr.	Aiken	SC	29803	(803) 643-7970
VUNG, Ngun	1611 E. Greenville St.	Anderson	SC	29621	(864) 231-5240
DIK, Joseph Tan	3801 E. Clemson Blvd	Anderson	SC	29621	(864) 231-1170
BEN, Reu	1284 Knox Ave	Augusta	SC	29841	(803) 442-4500
BAWILIANSANG, James	33 Robert Smalls Pkwy	Beaufort	SC	29906	(800) 242-1227
MANG, Thio	61 Ladys Island Drive	Beaufort	SC	29907	(843) 770-0026
OO, Esther Lian	101 Buckwalter Place Blvd	Bluffton	SC	29910	(843) 815-6430
LIAN, Zam Biak	125 Towne Dr.	Bluffton	SC	29910	(843) 815-6070
REM, Ngun Hlei	2501 May River Crossing	Bluffton	SC	29910	(843) 815-3800
WANG, Changkai	27 Discovery Drive	Bluffton	SC	29910	(843) 989-7022
MANG, Thio	80 Baylor Dr.	Bluffton	SC	29910	(843) 706-3049
KIM, Morris Lalruat	4400 HIGHWAY 9	BOILING SPRINGS	SC	29316	(863) 688-1188
PAN, Ja Seng	1235 Chapin Road	Chapin	SC	29036	(803) 345-7536
PENG, Za	520 Folly Rd	Charleston	SC	29412	(843) 762-5670
PENG, Za	1411 Folly Rd.	Charleston	SC	29412	(843) 762-5570
HAN, Khun Thar Min	1401 Sam Rittenberg Blvd	Charleston	SC	29407	(843) 852-3350
ZHENG, Mei Feng	10 Westedge St. Ste 100	Charleston	SC	29403	(843) 720-7000
BIAKKOONG, Hilda langhnmaw	730 Hopewell Dr.	Charleston-Berkeley	SC	29492	(843) 856-5193
HOI, Bual Kip	1390 Tiger Blvd	Clemson	SC	29631	(864) 654-3776
RING ZAI, Thang Ci	2732 North Lake Dr.	Columbia	SC	29212	(803) 407-2216
THAWNG, Za	150 Harbison Blvd	Columbia	SC	29212	(803) 407-0449
SUN, Kyu Kyu	2800 Rosewood Dr.	Columbia	SC	29205	(803) 806-8839
AUNG, Zaw Win	501 Gervais St.	Columbia	SC	29201	(803) 255-4351
LIAN, David	10136 Two Notch Road	Columbia	SC	29229	(803) 788-6171
THAWNG, Chan Lian	10128 Two Notch Rd.	Columbia	SC	29223	(803) 788-9484
NAWL, Za	4840 Forest Dr.	Columbia	SC	29206	(803) 790-4920
THANG, Siang Hnin	4611 Hard Scrabble Rd.	Columbia	SC	29229	(803) 699-8131
HRANG, Lian	1028 Roberts Branch Pkwy	Columbia	SC	29203	(803) 234-7130
CHIN, ZING BOR	162 Seven Farms Rd	Daniel Island	SC	29492	(843) 388-1180
PUI, Than Sang	2153 E. Main Street	Duncan	SC	29334	(864) 486-4700

Zenshi Food Service Counters  
Franchisee List  
As of March 31, 2024

Franchisee Name	Address	City	State	Zip	Phone
HLAWNMIJAL, Sarah Vansuipar	6525 Calhoun Memorial Hwy	Easley	SC	29640	(864) 850-2270
MOE, Nan Aye Thidar	928 Gold Hill Rd.	Fort Mill	SC	29708	(419) 782-0950
WARNOCK, Merry L.	208 Saint James Ave Ste C	Goose Creek	SC	29445	(843) 569-7920
LIAN, Lal Din	400 E. McBee Ave.	Greenville	SC	29601	(864) 240-2015
THLUAI, Mang Men	5000 Old Buncombe Rd Unit 15	Greenville	SC	29617	(864) 294-4430
MAWI, Lal Nei	215 Pelham Rd.	Greenville	SC	29615	(864) 370-8210
NEI, Van Pek	235 S. Pleasantburg Dr.	Greenville	SC	29607	(864) 250-4700
MAWI, Ram Nei	1750 Woodruff Rd	Greenville	SC	29607	(864) 987-7080
SANG, SAMUEL	479 Bypass 72 NW	Greenwood	SC	29649	(864) 223-8902
SUI, Mai	411 The Parkway	Greer	SC	29650	(864) 848-7820
KAM, Akam Ral	112 Nickle Plate Road	Hardeeville	SC	29927	(843) 208-3600
Tuang, Khen Lal	42 Shelter Cove Lane	Hilton Head	SC	29928	(843) 842-0540
HE-SA, Ngun Aung	11 Palmetto Bay Rd.	Hilton Head	SC	29928	(843) 842-2632
HE-SA, Ngun Aung	45 Pembroke Dr.	Hilton Head Island	SC	29926	(843) 689-9977
LIN, Jing	8356 Charlotte Hwy.	Indian Land	SC	29707	(803) 548-9000
LIAN, Hong	7320 Broad River Rd	Irmo	SC	29063	(803) 407-0127
LIAN, David	7467 St. Andrews Rd. .	Irmo	SC	29063	(803) 732-0423
THU, Ma Khin Myo	3642 Savannah Hwy	Johns Island	SC	29455	(843) 573-8734
CUAI, Duhkip	158 Highway 274	Lake Wylie	SC	29710	(803) 831-5667
LIAN, Hong	847 Highway 378 W	Lexington	SC	29072	(803) 996-6160
THAWNG, Za	100 Old Cherokee Rd	Lexington	SC	29072	(803) 951-3999
THANG, Siang Hnin	5441 Platt Springs Road	Lexington	SC	29073	(803) 358-9587
CANG, Hannah Van Rem	111 W. Butler Rd.	Mauldin	SC	29662	(864) 987-1601
CIN, Nang Van	2830 Hwy 52	Moncks Corner	SC	29461	(843) 761-7741
BIK, Bawi Thiang	1435 Ben Sawyer Blvd.	Mt. Pleasant	SC	29464	(843) 856-3018
CHIN, ZING BOR	1125 Park West Blvd.	Mt. Pleasant	SC	29466-6974	(843) 388-2263
LIZAMA, Anselmo Lisua	1000 Johnnie Dodds Blvd	Mt. Pleasant	SC	29464	(843) 856-3000
THWE, Yin Yin	11920 Highway 707, Ste. A	Murrells Inlet-Horry	SC	29576	(843) 357-0739
THANG, Khai Min	3735 Renee Drive SC	Myrtle Beach	SC	29579	(843) 236-4212
SANG, Biak Nun	136 Sapwood Dr.	Myrtle Beach	SC	29579	(843) 798-4062
HIMI, Lal Run	7925 N. Kings Highway	Myrtle Beach	SC	29572	(843) 449-1660
BANG, Joane	955 Wood Duck Dr.	Myrtle Beach	SC	29577	(843) 293-1012
THEIN, Daniel	2170 Oakheart Road	Myrtle Beach	SC	29579	(843) 903-4615
LIAN, Thawng	334 E. Martintown Rd.	North Augusta	SC	29841	(803) 441-3900
UK, Phuntin	8409 Dorchester Rd	North Charleston	SC	29420	(843) 767-5970
HIMI, Lal Run	1576 Highway 17 N	North Myrtle Beach	SC	29582	(843) 272-0050
SAILLUNG, Alex Lalhansanga	10225 Ocean Highway 17	Pawleys Island	SC	29585	(843) 235-3755
THAWN, Cin	2186 Cherry Road	Rock Hill	SC	29732	(803) 366-7500
THANG, Nang Mun Lian	1735 Heckle Blvd	Rock Hill	SC	29732	(803) 372-6364
KHAM, Thawng San	115 Rochester Hwy	Seneca	SC	29678	(864) 885-7055
KIM, Morris Lalruat	1400 West Georgia Road	Simpsonville	SC	29680	(864) 962-1183
PUI, Than Sang	2700 Woodruff Rd.	Simpsonville	SC	29681	(864) 234-3860
THANG, Biak Hu	704 Fairview Rd.	Simpsonville	SC	29680	(864) 962-1030
LIAN, Lal Din	1905 East Main St.	Spartanburg	SC	29307	(864) 253-1820
MEN, Hrang Thuai	1585 Central Ave.	Summerville	SC	29483	(843) 832-4017
GACSADY, Jeremy Jacob	1575 Old Trolley Rd	Summerville	SC	29485	(843) 832-0456
BIAKKOONG, Tony Ralchungthang	1724 State Rd.	Summerville	SC	29486	(843) 761-3750
PAR, Lung Hnem	2801 Wade Hampton Blvd.	Taylors	SC	29687	(864) 609-7300
MAUNG, Than	730 Mountain View Road	Rapid City	SD	57701	(605) 342-8455
YI, Cho	2120 Mt. Rushmore Road	Rapid City	SD	57701	(605) 348-5125
LIANPI, Dominic	1606 North Ave	Spearfish	SD	57783	(605) 642-5728
KHAI, Cin Khat	7014 City Center Way	Fairview	TN	37062-9048	(615) 799-3474
THANG, Aung Len	3532 Murfreesboro Road	Antioch	TN	37013	(615) 501-8250
SANHKA, Daww Raka	5319 Mt. View Road	Antioch	TN	37013	(615) 731-2321
MARY, Cingsiandim	10638 Concord Rd.	Brentwood	TN	37027	(615) 941-8871
MUNG, Go Za	6690 Nolensville Pike	Brentwood	TN	37027	(615) 941-7640
SIAMMUNG, Peter Kham	101 Creekside Crossing	Brentwood	TN	37027	(615) 507-1505
KHAI, Khen Hau	8105 Moores Lane	Brentwood	TN	37027	(615) 221-9880
KYAW, Maung Maung	210 Franklin Road	Brentwood	TN	37027	(615) 377-3690
NUAM, Hau Ngaih	400 North Market Street	Chattanooga	TN	37405	(423) 755-7901
HIMA, Chan	8644 East Brainerd Road	Chattanooga	TN	37421	(423) 296-1907
LAL, Mang Sian	7326 McCutcheon Rd	Chattanooga	TN	37421	(423) 855-1376
NGA, Laawng	3535 Broad St	Chattanooga	TN	37409	(423) 668-5233
THANG, Van Za	1490 Tiny Town Rd.	Clarksville	TN	37042	(931) 503-2551
HNIANG, Hrin	2100 Lowes Drive	Clarksville	TN	37040	(931) 906-3510
HNIANG, Hrin	1489 Madison Street	Clarksville	TN	37042	(931) 553-0250
UK, Solomon	2300 Trenton Road	Clarksville	TN	37040	(931) 553-5067
UK, Solomon Pa	920 Highway 76	Clarksville	TN	37043	(931) 358-2257
THLUAI, Marry	1771 Madison Street	Clarksville	TN	37043-4990	(931) 551-7031
WAI, NweNwe	635 Paul Huff Parkway NW	Cleveland	TN	37312	(423) 476-4022
WIN, Naing	1202 S James Campbell Blvd	Columbia	TN	38401	(931) 388-9002
NUAM, Sang Za	845 Nashville Highway	Columbia	TN	38401	(931) 381-0263
SAN, Kyi Lay	1265 Interstate Drive, Suite 111	Cookeville	TN	38501	(931) 526-8830

Zenshi Food Service Counters  
Franchisee List  
As of March 31, 2024

Franchisee Name	Address	City	State	Zip	Phone
Thang, Mang Hrin	143 Henslee Drive	Dickson	TN	37055	(615) 446-5186
TUN, Aung	1021 Riverside Dr.	Franklin	TN	37064	(615) 591-3285
KHAI, Piang Thawn	1400 Liberty Pike # 200	Franklin	TN	37067	(615) 591-4061
THANG, Dong Min	5021 Hughes Crossing Blvd.	Franklin	TN	37064	(615) 595-2021
THANG, Pau Zam	3054 Columbia Ave	Franklin	TN	37064	(615) 794-6506
THANG, Pau Zam	305 INDEPENDENCE SQ	Franklin	TN	37064	(615) 790-1618
GUIITE, Muangpi	411 Whitman Road	Franklin	TN	37064	(615) 472-9860
SIAN ZA PAU, Cin	2020 Fieldstone Pkwy	Franklin	TN	37069	(615) 599-1825
NO, Mang	2020 Mallory Lane	Franklin	TN	37067	(615) 771-7922
NO, Mang	1203 Murfreesboro Road	Franklin	TN	37064	(615) 790-1124
CIN, Thang Khan	1931 Long Hollow Pike	Gallatin	TN	37066	(615) 230-7647
TOMBING, Pau Siankhai	2011 Nashville Pike	Gallatin	TN	37066	(615) 230-3900
DIM, Cin Go	211 Maharris Drive	Gallatin	TN	37066	(619) 989-9989
THANG, Helen Par Sin Eng	1483 Nashville Pike	Gallatin	TN	37066	(615) 451-6285
UK, Sum Lian	460 Long Hollow Pike	Goodlettsville	TN	37072	(615) 851-7180
THANG, Napoleon	123 Northcreek Blvd	Goodlettsville	TN	37072	(615) 859-1016
LAL, Thang Khaw	2321 E. Andrew Johnson Hwy	Greeneville	TN	37745	(423) 636-1478
LING PE, Kyaw Soe	1010 Glenbrook Way	Hendersonville	TN	37075	(615) 822-0193
THANG, Helen Par Sin Eng	110 Indian Lake blvd.	Hendersonville	TN	37075	(615) 264-2396
MAWI, Lal R.	5544 Old Hickory Road	Hermitage	TN	37076	(615) 883-4441
GEN, Than Khan	4670 Lebanon Pike	Hermitage	TN	37076	(615) 874-0898
LIAN, Robert	4400 Lebanon Pike	Hermitage	TN	37076	(615) 883-3317
TLUANGA, Benjamin	5928 Hixson Pike Ste 112	Hixson	TN	37343	(423) 847-8461
KHUP, Pau Khan	509 N State of Franklin Rd.	Johnson City	TN	37604	(520) 321-1212
KYAW AYE, Kyaw	2429 University Commons Way	Knoxville	TN	37919	(865) 522-6313
THAWN, Khup	2010 Town Center Blvd	Knoxville	TN	37922	(865) 470-0720
NINGNYE, Esther Ja Seng Bu	11656 Parkside Drive	Knoxville	TN	37934	(865) 675-3018
THANG, Mang Suan	1703 West Main St.	Lebanon	TN	37087	(615) 444-2581
TAI, Tony	445 Highway 109 N	Lebanon	TN	37090	(615) 443-4349
PAR, Dawt Chin	198 FOOTHILLS MALL	MARYVILLE	TN	37801-2310	(800) 242-1227
THAWN, Thang Khat	665 S Mount Juliet Rd.	Mount Juliet	TN	37122	(615) 773-0250
LINN, Zaw	11207 Lebanon Road	Mt. Juliet	TN	37122	(615) 758-4200
KIM, Suan	4175 Franklin Rd.	Murfreesboro	TN	37128	(615) 494-3196
NAUNG, Min	2946 SOUTH CHURCH STREET	Murfreesboro	TN	37127	(615) 217-2752
TUN, Naing	2050 Lascassas Pike	Murfreesboro	TN	37130	(615) 907-6223
ENG, Suan	1731 South Rutherford Blvd.	Murfreesboro	TN	37130-5957	(615) 849-4290
HTUNT, Ohn Y.	2650 New Salem Cove	Murfreesboro	TN	37128	(615) 895-7096
SABOUATHONE, Davone Vel	1776 W Northfield Blvd	Murfreesboro	TN	37129	(615) 890-9873
SABOUATHONE, Davone Vel	2325 MEMORIAL BLVD	Murfreesboro	TN	37129	(615) 867-2216
HUAI, Cing	2449 OLD FORT PKWY	Murfreesboro	TN	37128	(615) 904-0365
SANG, Run Cun	4432 Veterans Parkway	Murfreesboro	TN	37128	(615) 648-8500
NAW, Lum	3415 Memorial Boulevard	Murfreesboro	TN	37129	(615) 849-3669
HAN, Tun Tun	4324 Harding Pike	Nashville	TN	37205	(615) 279-2038
POU, Lian Kam Nang D.	2223 8th Avenue South	Nashville	TN	37204	(615) 279-9470
LIAN, Kham Zam	4560 Harding Rd.	Nashville	TN	37205	(615) 269-5649
THUAN, Aung	2324 Lebanon Pike	Nashville	TN	37214	(615) 884-2665
THANG, David	711 Gallatin Road	Nashville	TN	37206	(615) 226-6880
MANG, Pum Khan	7604 Hwy 70 South	Nashville	TN	37221	(615) 646-1870
MUANG, Michael	3410 Gallatin Road	Nashville	TN	37216	(615) 227-5053
SING, Thang Lam	2131 Abbott Martin Rd.	Nashville	TN	37215	(615) 297-7531
TAANG, Tun Suan	6614 Charlotte Pike	Nashville	TN	37209	(615) 352-1055
KHAI, Cin Khat	8028 Hwy 100	Nashville	TN	37221-4212	(615) 673-2347
SANG, Van Bawi	2615 Franklin Pike	Nashville	TN	37204	(615) 297-5517
DABAW, Mai Ra	5713 Edmondson Pike	Nashville	TN	37211	(615) 315-9205
DABAW, Mai Ra	5771 Nolensville Pike	Nashville	TN	37211	(615) 834-8666
CING, Cin Hawm	143 McGavock Pk	Nashville	TN	37214	(615) 883-0121
PATEL, Jayesh	1010 Charlotte Ave.	Nashville	TN	37203	(615) 259-6072
SANHKA, Daww Raka	800 Monroe Street	Nashville	TN	37208	(615) 256-6506
SANHKA, Daww Raka	2284 MURFREESBORO PK	Nashville	TN	37217	(615) 315-9205
SOE, Salai Min	61 E Thompson Ln	Nashville	TN	37211	(615) 981-8847
MAWI, Van	7087 Hwy 70 South	Nashville	TN	37221	(615) 662-1330
MAWI, Van	8141 Hwy. 100	Nashville	TN	37221	(615) 662-8885
NEM, Luan Sian	15544 Old Hickory Blvd.	Nashville	TN	37211-7329	(615) 331-4912
THET, John	5705 Charlotte Pike	Nashville	TN	37209	(615) 352-5352
THET, John	2201 21st Ave South	Nashville	TN	37212	(615) 981-8847
MANG, Khai Lian	1111 Gallatin Ave	Nashville-Davidson	TN	37206	(615) 226-7100
HIMA, Chan	5958 Snow Hill Road Ste 168	Ooltewah	TN	37363	(423) 238-1032
LING, Cung Ceu	1688 OOLTEWAH RINGGOLD RD, SUITE 100	OOLTEWAH	TN	37363	(800) 242-1227
Pereira Nual, Theresa	2656 Parkway	Pigeon Forge	TN	37863	(865) 774-2032
LIAN, Vung	750 Winfield Dunn Parkway	Sevierville	TN	37876	(865) 429-1734
PAU, Thang Sut	1010 N. Main Street	Shelbyville	TN	37160	(931) 684-0681
SUAN, Tual Khan	661 President Place	Smyrna	TN	37167	(615) 220-1919
CING, Nian Lam	1640 Lee Victory Parkway	Smyrna	TN	37167	(615) 223-9101

Zenshi Food Service Counters  
Franchisee List  
As of March 31, 2024

Franchisee Name	Address	City	State	Zip	Phone
LAM, David	463 Sam Ridley Pkwy West	Smyrna	TN	37167	(615) 355-8329
KHAI, Cin Sawm	4935 Columbia Pike	Spring Hill	TN	37174	(615) 302-4068
CHARERNNAM, Tony Kee	4900 Port Royal Road	Spring Hill	TN	37174	(931) 560-2141
HMUNG, Tin Za	2600 Memorial Blvd	Springfield	TN	37172	(615) 382-7822
VUNG, Mary Nem Ngaih	4726 Traders Way	Thompsons Station	TN	37179	(615) 791-5346
PIANG, Kam Sian	1600 N. Jackson Street, Suite 340	Tullahoma-Coffee	TN	37388	(931) 455-6032
YOUDON, Tsering	510 TN-76E	White House	TN	37188	(615) 672-3175
DIM, Bawi Hoi	14280 Marsh Lane	Addison	TX	75001	(972) 241-4532
XU, Demin	985 West Bethany Drive	Allen	TX	75013	9729083830
HLEI, Thawng	5601 W Amarillo Blvd	Amarillo	TX	79106	(806) 353-6464
YA, Kyaw Thu	2530 South Georgia St.	Amarillo	TX	79101	(806) 468-6000
LWIN, Wai Wai	201 N. 23rd Street	Canyon	TX	79015	(806) 655-2300
LIAN, Van Hmun	4112 North Josey	Carrollton	TX	75007	(972) 394-4127
SANG, Sui	5605 Colleyville Blvd	Colleyville	TX	76034	(817) 577-5020
UK, Van	700 N. Denton Tap Road	Coppell	TX	75019	(469) 322-6800
PENG, Van Tha	106 N. Denton Tap	Coppell	TX	75019	(972) 304-3223
CEU, Siang Uk	7117 Inwood Rd.	Dallas	TX	75209	(214) 352-1781
KAI, Siang Hlei	5809 E. Lovers Ln.	Dallas	TX	75206	(214) 750-3200
UK, Van Lian	315 S. Hampton Road	Dallas	TX	75208	(214) 331-0160
SAZUL, Siang Cinlian	200 West Crawford Street	Denison	TX	75020	(903) 463-6076
LIAN, Thla	3800 Long Prairie Road	Flower Mound	TX	75028	(972) 355-4007
CAAN, Sui	4301 Cross Timbers Road	Flower Mound	TX	75028	(972) 691-2084
NI CER CIN, Esther	2301 Justin Rd.	Flower Mound	TX	75028	(972) 539-2366
LIAN, Sung Zi	4848 Preston Rd.	Frisco	TX	75034	(972) 377-1800
UK, Tha Kip Sui	11999 Dallas Parkway	Frisco	TX	75033	(214) 872-1500
ZI, Amy Siang	4268 Legacy Dr.	Frisco	TX	75034	(214) 705-0310
PENG, Van Tha	5550 FM 423	Frisco	TX	75036	(214) 494-6213
MANG, Ngun Lian	2535 Firewheel Pkwy	Garland	TX	75040	(972) 675-8661
TUN, Men	4215 S. Carrier Parkway	Grand Prairie	TX	75052	(972) 266-7050
VAN, Solomon	4010 N. MacArthur Blvd.	Irving	TX	75038	(972) 717-9727
THANG, Henry	2200 W. Shady Grove Rd.	Irving	TX	75060	(972) 374-5100
THANG, Uk Ling	3145 e. Broad St.	Mansfield	TX	76063	(817) 453-6000
CUNG, Graham	6100 W Eldorado Parkway	McKinney	TX	75070	(972) 548-5140
THANG, Cung Lian	1929 Preston Road	Plano	TX	75093	(972) 713-5500
LIAN, Sung Zi	3100 Independence	Plano	TX	75075	(972) 596-4420
LIAN, Sung Zi	5968 W. Parker	Plano	TX	75093	(972) 473-3300
SHI, Li	3945 Legacy Drive	Plano	TX	75023	(972) 491-2200
CEM, Dawt	3411 Custer Parkway	Richardson	TX	75080	(972) 470-1360
GONZALES, Juan	1380 W. Campbell Rd.	Richardson	TX	75080	(972) 680-6010
Par, Bawi Hnem	3070 North Goliad Street	Rockwall	TX	75087	(972) 961-9330
MANG, Ngun Lian	6706 Dalrock Rd	Rowlett	TX	75089	(214) 607-0218
PAR, San Zaa	3121 Sunset Drive	San Angelo	TX	76904	3259426627
SAZUL, Siang Cinlian	100 East Taylor Street	Sherman	TX	75090	(903) 868-9686
PYIT, Thaw Wun	4590 Kell Blvd	Wichita Falls	TX	76309	9406911471
NUNG, Van Cung	2720 Southwest Park Way	Wichita Falls	TX	76308	(806) 791-8113
HLEI, Zing	921 Westgate Way	Wylie	TX	75098	(972) 429-7840
KO, Myo Ko	4250 Campbell Ave	Arlington	VA	22206	(703) 379-2003
AUNG, Khant Hmue	600 N. Glebe Rd	Arlington	VA	22203	(703) 526-9100
SANGLIANA, Thuzar Kyaw	900 Army Navy Dr.	Arlington	VA	22202	(703) 413-7112
LAM, Maung	20070 Ashbrook Commons PLZ	Ashburn	VA	20147	(571) 223-0110
WIN, Kyaw Shane	42415 Ryan Rd.	Ashburn	VA	20148	(703) 542-8300
Aung, Wai Wai	43300 Southern Walk Plaza	Ashburn	VA	20148	(703) 723-0842
Aung, Wai Wai	42780 Creek View Plaza	Ashburn	VA	20147	(571) 223-2245
THANTSIN, Koko	10438 Bristow Center Drive	Bristow	VA	20136	(703) 257-1367
THAWNG, Lian Biak	25401 East Gate Marketplace Plaza	Chantilly	VA	20152	(703) 722-2126
ONG, Francis	545 Radford Lane	Charlottesville	VA	22903	(434) 823-1184
KHAING, Aung	159 Community Dr.	Charlottesville	VA	22911	(434) 872-0010
SU, Wei L	237 Hanbury Rd. E.	Chesapeake	VA	23322	(757) 546-9074
Malum Khawngteng, Elijah	1216 Greenbrier Pkwy.	Chesapeake	VA	23320	(757) 382-7300
ARANA, Mary Grace M.	1400 Kempsville Rd	Chesapeake	VA	23320	(757) 217-0376
HTUT, Zaw	7200 Cosby Village Rd.	Chesterfield	VA	23832	(804) 639-6525
KYAW, James M	3007 Boulevard	Colonial Heights	VA	23834	(804) 520-4520
THAWNG, Lian Biak	3905 Fair Ridge Drive	Fairfax	VA	22033	(703) 877-0580
HAN, Pyae Phyo	6351 Columbia Pike	Falls Church	VA	22041	(703) 256-6615
THAN, Myo Min Min	9601 Patriot Hwy	Fredericksburg	VA	22407	(540) 898-6801
PAN, Meiling	13901 Heathcote Blvd	Gainesville	VA	20155	(703) 754-7736
TUN, Nilar	10250 Staples Mill Rd	Glen Allen	VA	23060	(804) 755-2360
TUN, Nilar	10150 Brook Road	Glen Allen	VA	23059	(804) 262-8190
SEIN, Oo Khin	9645 W. Broad St	Glen Allen	VA	23060	(804) 965-6303
KYAW, James M	5400 Wyndham Forest Dr.	Glen Allen	VA	23059	(804) 527-5334
MIN, Wisely	227 Fox Hill Rd	Hampton	VA	23669	(757) 580-0156
KYAW, James M	3460 Pump Road	Henrico	VA	23233	(804) 364-6314
KYAW, James M	2250 John Rolfe Pkwy	Henrico	VA	23233	(804) 360-4920

Zenshi Food Service Counters  
Franchisee List  
As of March 31, 2024

Franchisee Name	Address	City	State	Zip	Phone
KYAW, May Thu Zar	12960 Highland Crossing Drive	Herdon	VA	20171	(703) 464-7934
MYINT, Thet Htar	10060 Market Circle	Manassas	VA	20110	(703) 257-4685
OO, Wai Yan	12745 Galveston Court	Manassas	VA	20110	(703) 580-0251
LIAN, Paul	6603 Mechanicsville Turnpike	Mechanicsville	VA	23111	(804) 569-3902
HANA, Marvat Mbrook Adim	200 Charter Colony Pkwy	Midlothian	VA	23114	(804) 378-3222
HTUT, Zaw	13700 Hull Street Rd.	Midlothian	VA	23112	(804) 739-1160
LWIN, Thein	12404 Warwick Blvd.	Newport News	VA	23606	(757) 595-6000
JON, Simon Bar	179 West Ocean View Ave	Norfolk	VA	23503	(757) 587-0200
SANG, Ro	7550 Granby St	Norfolk	VA	23505	(757) 558-4145
HANA, Marvat Mbrook Adim	2015 Huguenot Rd	North Chesterfield	VA	23235	(804) 799-6465
HTWE, Tin Moe	3249 Tyre Neck Road	Portsmouth	VA	23703	(757) 483-9235
LAHTAW, Htang Ra	4591 S. Laburnum Ave	Richmond	VA	23231	(804) 226-1915
ARGUETA DIAZ, Darlin Noel	7035 Three Chopt Rd	Richmond	VA	23226	(804) 288-1070
CEU, John Blak Tin	7045 Forest Hill Ave	Richmond	VA	23225	(804) 323-4110
KYAW, James M	3535 Ellwood Ave	Richmond	VA	23221	(804) 253-6372
KYAW, James M	1640 Publix Way	Stafford	VA	22554	(540) 288-9280
HTWE, Thet Maung	3575 Bridge Rd.	Sufford	VA	23435	(757) 947-0230
HTWE, Tin Moe	5060 Ferrell Parkway	Virginia Beach	VA	23464	(757) 467-0529
LWIN, Aung Toe	2476 Nimmo Pkwy	Virginia Beach	VA	23456	(757) 563-9410
Malum Khawngteng, Elijah	3333 Virginia Beach Blvd.	Virginia Beach	VA	23452	(757) 631-6750
BLANCO, Thomas Dirk Cinco	2129 General Booth Blvd	Virginia Beach	VA	23454	(757) 427-6220
WIN, Ye	2800 Arctic Ave.	Virginia Beach	VA	23451	(757) 422-4595
MIN, Wisely	4540 Princess Anne Road	Virginia Beach	VA	23462	(757) 467-4387
KYAW, Shwe	2105 Princess Anne Road	Virginia Beach	VA	23456	(757) 721-2396
KO, Tin Ko	530 Fletcher Drive	Warrenton	VA	20186	(540) 349-9500
SAN, Aye Cherry	6485 Centerville Rd	Williamsburg	VA	23188	(757) 903-4350
LOME, Shan	4511 John Tyler Highway	Williamsburg	VA	23185	(757) 941-1680
SAN, Aye Sabal	4660 Monticello Ave	Williamsburg-James	VA	23188	(757) 564-5902
MAWI, Elizabeth Sui	911 11th St.	Anacortes	WA	98221	(360) 293-5393
MALONG, Labya Naw Crawng	101 Auburn Way S	Auburn	WA	98002	(253) 804-0138
KO, Lwin Ko	253 High school Rd. NE	Bainbridge Island	WA	98110	(206) 842-7197
LABANG, Dee Sar	1645 140th NE	Bellevue	WA	98005	(425) 373-5263
LIAN, Thein	1275 E. Sunset Drive	Bellingham	WA	98226	(360) 647-8311
MI, No	24040 Bothell Everette Hwy	Bothell	WA	98021	(425) 482-2767
LIVINGSTON, Po Sun	900 N Callow Ave	Bremerton	WA	98312	(360) 792-9149
Tun, Ye	1401 NE McWilliams Rd.	Bremerton	WA	98311	(360) 373-8911
THANG, Thla Tin	17023 SE 272nd St	Covington	WA	98042	(253) 630-0063
SOE, Than Lwin	14020 Main St. N.E.	DUVALL	WA	98019	(425) 844-1188
HUAI, Zam Tian	152 Roosevelt Ave E	Enumclaw	WA	98022	(360) 825-5023
LA, Mung Khawng	11031 19th Avenue SE	Everett	WA	98208	(425) 337-0886
LA, Mung Khawng	5802 134th Place SE	Everett	WA	98208	(425) 332-6175
THANG, Lal Ruat	1207 S 320th	Federal Way	WA	98003	(253) 839-8503
JUN, Eun Kyung	11330 NW 51st	Gig Harbor	WA	98332	(253) 858-4750
KIM, Hyon Tae	4831 Point Fosdick Drive NW	Gig Harbor	WA	98335	(253) 853-1950
LIAN, Cin Suan	1451 Highlands Drive NE	Issaquah	WA	98029	(425) 369-3113
ZAU, Thang	735 Gilman Blvd	Issaquah	WA	98027	(425) 392-0410
MI, No	6850 N.E. Bothell Way	Kenmore	WA	98025	(425) 487-2001
PIANG, Khual Sian	13101 SE Kent Kangley Rd	Kent	WA	98030	(253) 638-7275
TIAL, Fam Men	20830 108th Ave SE	Kent	WA	98031	(253) 854-2814
UK, Francis Cung Blak	210 Washington Ave S	Kent	WA	98032	(253) 852-4454
THIN, Atae	14444 124th Ave N.E.	Kirkland	WA	98034	(425) 821-2112
THIN, Atae	10020 NE 137th Street	Kirkland	WA	98034	(425) 821-9224
HTWE, Htet Nandar	717 State Route 9 NE	Lake Stevens	WA	98258	(425) 249-4000
WEDEKIND, MAO	8071 Guide Meridian Rd 101	Lynden	WA	98264	(360) 318-0688
LUNG, Seng	12811 Beverly Park Rd	Lynnwood	WA	98087	(425) 347-3060
NUAM, Mang	26916 Maple Valley Black Diamond Rd	Maple Valley	WA	98038	(425) 432-2020
HTWE, Khine M	1258 State Street	Marysville	WA	98270	(360) 658-8483
MOHAMAD ALI, Mohamad Elias Bin	19651 Highway 2	Monroe	WA	98272	(360) 794-9292
MAWI, Elizabeth Sui	315 E College Way	Mount Vernon	WA	98273	(360) 424-8160
LIAN, Ral Bawi	4301 212th St SW	Mountlake Terrace	WA	98043	(425) 775-4154
THANG, Par Tin Dim	6911 Coal Creek Pkwy SE	Newcastle	WA	98059	(425) 641-0902
HKUM, Seng	460 SW Mt Si Blvd	North Bend	WA	98045	(425) 831-2122
SHAR, Thein	1450 SW Erie Street	Oak Harbor	WA	98277	(360) 279-8828
MOHAMAD ALI, Mohamad Elias Bin	17246 Redmond Way N.E.	Redmond	WA	98052	(425) 885-3323
MOHAMAD ALI, Mohamad Elias Bin	15000 NE 24th Street	Redmond	WA	98052	(425) 869-7343
THANG, Ngun Thawng	200 S. 3rd St.	Renton	WA	98057	(425) 255-4151
SUNGCCA BAWI, Ling Bawi	17230 140th SE	Renton	WA	98058	(425) 228-1740
PUII, Lal Nun	4300 NE 4th Street	Renton	WA	98059	(425) 226-7666
LABANG, Dee Sar	630 228th Ave. N.E	Sammamish	WA	98074	(425) 868-4000
LEE, Ngan Mee	3820 Rainier Ave S	Seattle	WA	98118	(206) 725-9575
KO, Htway Ko	516 1st. Ave. W.	Seattle	WA	98119	(206) 494-1685
SUAN, Mang Hau	2622 California Ave SW	Seattle	WA	98116	(206) 937-2272
HNIN, Za Cung	12318 15th Ave NE	Seattle	WA	98125	(206) 306-0504

Zenshi Food Service Counters  
Franchisee List  
As of March 31, 2024

Franchisee Name	Address	City	State	Zip	Phone
DAM, Van Lal Chan	7340 35th N.E.	Seattle	WA	98115	(206) 524-7064
DAM, Van Lal Chan	7300 Roosevelt Way NE	Seattle	WA	98115	(206) 525-6348
PEIK, Kyaw	1410 E. John St.	Seattle	WA	98112	(206) 323-4988
PEIK, Kyaw	4732 Brooklyn Ave	Seattle	WA	98105	(206) 522-4565
KIM, Morgan	19150 NE Woodinville Duvall Rd	Woodinville	WA	98077	(425) 788-9150
MAUNG, Sithukyaw	6360 US Route 60	Barboursville	WV	25504	(304) 733-3370
OHN, Soe Than	151 N Beaver Ln	Beaver	WV	25813	(304) 255-5525
OHN, Soe Than	1734 Harper Road	Beckley	WV	25801	(304) 254-0520
AYE LWIN, Antony	133 Beckley Crossing	Beckley	WV	25801	(304) 252-5573
AUNG, Pwint Zar	500 Delaware Ave	Charleston	WV	25302	(304) 342-6995
AUNG, Pwint Zar	1100 Fledderjohn Rd	Charleston	WV	25314	(304) 342-8807
KHAING, Aung Myat	5717 Mac Corkle Ave.	Charleston	WV	25304	(304) 925-5447
KHEE, Sai Lao	5450 Big Tyler Rd	Charleston	WV	25313	(304) 776-5063
SAN, Tin Win	102 Emily Dr	Clarksburg	WV	26301	(304) 623-1015
AUNG, Pwint Zar	981 Dunbar village	Dunbar	WV	25064	(304) 768-6481
KHAING, Aung Myat	223 Crossings Mall Rd	Elkview	WV	25071	(304) 965-2750
RAKHA, John	19 7th Ave W	Huntington	WV	25701	(304) 522-1201
RAKHA, John	2627 5th Avenue	Huntington	WV	25702	(304) 529-0670
KHAING, Aung Myat	10635 MacCorkle Ave	Marmet	WV	25315	(304) 949-6124
SOE, Maung Maung	500 Suncrest Town Centre	Morgantown	WV	26505	(304) 285-6419
SOE, Linda	350 Patteson Dr.	Morgantown	WV	26505	(304) 599-5324
SOE, Linda	1851 Earl Core Rd.	Morgantown	WV	26505	(304) 296-7146
AYE LWIN, Antony	411 Mall Rd	Oak Hill	WV	25901	(304) 469-2921
SOE, May N	Box 13 , Red Oak Shopping Center	Ronceverte	WV	24970	(304) 645-7411
KHEE, Sai Lao	1439 Maccorkle Ave	Saint Albans	WV	25177	(304) 722-4248
KHEE, Sai Lao	101 Great Teays Blvd	Scott Depot	WV	25560	(304) 757-7915
AUNG, Pwint Zar	5 River Walk Mall	South Charleston	WV	25303	(304) 744-1472

If you buy this franchise, your contact information may be disclosed to other buyers when you leave the franchise system.

Zenshi Company Owned Locations  
As of March 31, 2024

Operator Name	Address	City	State	Zip	Phone
AFCFC	700 E Northern Lights Blvd	Anchorage	AK	99503	(208) 395-6200
AFCFC	1101 Beltline Road S.W	Decatur	AL	35601	(256) 350-9770
AFCFC	3014 Allison Bonnett Memorial Dr	Hueytown	AL	35023	(205) 497-5366
AFCFC	1288 Grants Mill Road	Irondale	AL	35210	(800) 242-1227
AFCFC	3201 Endeavor Ln	Vestavia Hills	AL	35242	(205) 967-5998
AFCFC	3380 Coach In	Cameron Park	CA	95682	(530) 676-6934
AFCFC	3602 W 144th Ave	Broomfield	CO	80020	(303) 209-2405
AFCFC	7055 Austin Bluffs Parkway	Colorado Springs	CO	80923	(719) 264-8650
AFCFC	26370 Bay Farm Rd	Millsboro	DE	19966	(302) 945-1705
AFCFC	31221 Americana Pkwy.	Selbyville	DE	19975	(302) 436-2827
AFCFC	1591 Georgia Highway 20 NE	Conyers	GA	30012-3834	(678) 413-2421
AFCFC	121 W Neider Ave	Coeur d'Alene	ID	83815	(208) 765-4311
AFCFC	1705 West Broadway St.	Idaho Falls	ID	83402	(208) 522-3392
AFCFC	201 S Main St.	East Peoria	IL	61611	(309) 694-6298
AFCFC	21164 S. LaGrange Rd.	Frankfort	IL	60423	(815) 464-5352
AFCFC	475 N Nelson Rd	New Lenox	IL	60451	(815) 462-0018
AFCFC	2021 E Laraway Rd.	New Lenox	IL	60451	(815) 463-4958
AFCFC	8801 S Ridgeland	Oak Lawn	IL	60453	(708) 599-4500
AFCFC	9350 W 159th St.	Orland Park	IL	60462	(708) 403-6920
AFCFC	17930 Wolf Rd.	Orland Park	IL	60467	(708) 479-1573
AFCFC	12803 S. Harlem Ave	Palos Heights	IL	60463	(708) 671-1568
AFCFC	9652 W 131st Street	Palos Park	IL	60462	(708) 361-8880
AFCFC	900 E Rollins Rd.	Round Lake	IL	60073	(847) 223-9201
AFCFC	201 E Bidwell St.	Taylorville	IL	62568	(317) 579-8100
AFCFC	17117 Harlem Ave.	Tinley Park	IL	60477	(708) 532-7414
AFCFC	747 Indian Boundary Rd	Chesterton	IN	46304	(219) 926-7172
AFCFC	255 East Central Street	Franklin	MA	02038	(508) 520-6880
AFCFC	35 Columbia Road	Hanover	MA	02339	(781) 826-2864
AFCFC	45 Storey Ave.	Newburyport	MA	01950	(978) 462-7121
AFCFC	50 Boston Turnpike	Shrewsbury	MA	01545	(508) 797-1126
AFCFC	75 Spring street	West Roxbury	MA	02132	(617) 327-0564
AFCFC	14101 Darnestown Rd.	Germantown	MD	20874	(240) 631-1310
AFCFC	143 Ritche Hwy N	Severna Park	MD	21146	(410) 544-5450
AFCFC	2334 Central Ave	Billings	MT	59102	(406) 656-8160
AFCFC	6194 SW Murray Blvd.	Beaverton	OR	97005	(503) 641-5262
AFCFC	2836 Pacific Ave	Forest Grove	OR	97116	(503) 359-8700
AFCFC	888 NE 25th Ave	Hillsboro	OR	97124	(503) 681-8927
AFCFC	17779 Lower Boones Ferry Rd.	Lake Oswego	OR	97035	5036752500
AFCFC	2490 N. Hwy 99	McMinnville	OR	97128	(503) 435-3120
AFCFC	781 Main St.	North Myrtle Beach	SC	29582	(843) 249-9950
AFCFC	19350 Winmeade Dr.	Lansdowne	VA	20176	(571) 333-2495
AFCFC	300 Bellevue Way NE	Bellevue	WA	98004	(425) 455-6500
AFCFC	20711 Bothell Everett Hwy	Bothell	WA	98012	(425) 483-1060
AFCFC	21401 Pacific Hwy S	Des Moines	WA	98198	(206) 824-2737
AFCFC	27035 Pacific Hwy S	Des Moines	WA	98198	(253) 946-8087
AFCFC	23632 Hwy 99	Edmonds	WA	98026	(425) 778-1411
AFCFC	4128 Rucker Ave	Everett	WA	98203	(425) 258-3552
AFCFC	301 Marysville Mall	Marysville	WA	98270	(360) 659-5841
AFCFC	3322 132nd St. SE	Mill Creek	WA	98012	(425) 338-0775
AFCFC	9262 Rainier Ave. So.	Seattle	WA	98118	(206) 494-1120
AFCFC	9620 28th Ave. SW	Seattle	WA	98126	(206) 935-3996

Zenshi Company Owned Locations  
As of March 31, 2024

Operator Name	Address	City	State	Zip	Phone
AFCFC	4011 S 164th	Seattle	WA	98188	(206) 244-2567
AFCFC	8340 15th Ave N.W.	Seattle	WA	98117	(206) 782-7464
AFCFC	4754 42nd Ave. SW	Seattle	WA	98116	(206) 932-6026
AFCFC	1423 NW Market St.	Seattle	WA	98107	(206) 784-6480
AFCFC	17202 15TH AVE NE	Shoreline	WA	98155	(206) 363-3130
AFCFC	17520 SR 9 SE	Snohomish	WA	98296	(360) 668-1132

Zenshi Counters  
List of Franchisees Who Transferred  
Ended March 31, 2024

FC Name	FC Home Address	City	State	Zip	Phone
Salai Shring	2037 Little John Dr.	Oxford	AL	36203-3338	(256) 499-8022
EK SALES LLC	3951 Ingraham St, Unit# 301	Los Angeles	CA	90005	(213) 905-9788
Zwe Htet Kyaw	1208 Florida Rd, Apt. A201	Durango	CO	81301	(806) 471-3524
Biak Lian Thang Morris	11000 SW 197th St APT 303	Cutler Bay	FL	33157	(806) 420-2609
NAT THU DAR INC.	14143 Danpark Loop	Fort Myers	FL	33912	(407) 219-2121
DAY STAR BLESSING, INC.	3800 Van Buren Street, Apt. 411	Hollywood	FL	33021	(954) 243-3957
Siang Lal	162 Arborside Dr.	Augusta	GA	30909	(706) 619-6050
KIP FAMILY ENTERPRISES	1241 Otello Ave	Clarkston	GA	30021-2851	(904) 713-1789
Lili Liu	1716 Brookside Elm Dr.	Duluth	GA	30097	(470) 495-5508
Lili Liu	1716 Brookside Elm Dr.	Duluth	GA	30097	(470) 495-5508
Lili Liu	1716 Brookside Elm Dr.	Duluth	GA	30097	(470) 495-5508
JWGEMINI INC.	212 Dumbarton Ct.	Lawrenceville	GA	30043-4392	(678) 908-8598
BIAK VUNG LLC.	628 Lockhart Ct	Marietta	GA	30066-2585	(843) 290-2356
BIAK VUNG LLC.	628 Lockhart Ct	Marietta	GA	30066-2585	(843) 290-2356
Hre Dun Mang	4237 Cavan Drive	Stone Mountain	GA	30083	(385) 552-8267
En NO	4060 Brookside Manor Dr.	Tucker	GA	30084	(678) 895-9814
En NO	4060 Brookside Manor Dr.	Tucker	GA	30084	(678) 895-9814
May Thet Paing	5923 Arlene Ave.	Fort Wayne	IN	46816	(260) 479-9634
Soe Soe Hlaing	105 Mackie Lane	Louisville	KS	40214	(347) 841-3893
Soe Soe Hlaing	105 Mackie Lane	Louisville	KS	40214	(347) 841-3893
Khual Sian Piang	32024 8th Ave S	Federal Way	WA	98003	(206) 566-8261

**If you buy this franchise, your contact information may be disclosed to other buyers when you leave the franchise system.**

Terminated List  
Zenshi Counters  
As of March 31, 2024

FCName	FHomeAddress	City	State	Zip	Phone
BLESSING LLC.	6422 Fairweather Dr.	Anchorage	AK	99518	(907) 351-6382
Van Lian Hum	1553 Ashford Ct	Wheaton	IL	60189	(469) 328-8485
Van Lian Hum	1553 Ashford Ct	Wheaton	IL	60189	(469) 328-8485
Tha Cung Lian	4255 Smentor Ave	Springfield	MI	65804	(970) 732-7681
Myat Myat Htwe	16747 3rd Ave NE	Shoreline	WA	98155	(206) 294-9971
Myat Myat Htwe	16747 3rd Ave NE	Shoreline	WA	98155	(206) 294-9971

If you buy this franchise, your contact information may be disclosed to other buyers when you leave the franchise system.

Non-Renewal List  
Zenshi Counters  
As of March 31, 2024

FCName	FCHomeAddress	City	State	Zip	Phone
Nay Tun Win	224 Gladys Ave	Fox River Grove	IL	60021	(224) 200-2675

If you buy this franchise, your contact information may be disclosed to other buyers when you leave the franchise system.

Zensh Food Service Counters  
Ceased Operations  
as of March 31, 2024

Name	FC Address	City	State	Zip	Phone
VICTORIA KHAM SUSHI INC.	57 BandoI St	Riviera Beach	FL	33404-2078	(561) 225-8450
Par Tin Sung	285 Keller Dr	McDonough	GA	30252	(404) 718-9614

If you buy this franchise, your contact information may be disclosed to other buyers when you leave the franchise system.

List of Franchisees Reacquired by Franchisor  
In the Year Ended March 31, 2024  
Zenshi Counters

Name	Address	City	State	Zip	Phone
N/A	N/A	N/A	N/A	N/A	N/A

If you buy this franchise, your contact information may be disclosed to other buyers when you leave the franchise system.

AFC Food Service Counters  
Franchisee List  
as of March 31, 2024

Franchisee Name	Address	City	State	Zip	Phone
THONKRATOK, Somchai	3200 Providence Dr.	Anchorage	AK	99508	(907) 562-2211
FARNEN, Kenia Alcantara	5800 Westover Ave.	Anchorage	AK	99506	(907) 580-4863
CHOUMMITTAPHANH, Paul	2540 CENTRAL AVE STE 100	Eielson AFB	AK	99702-2399	(907) 377-2148
LIU, Shasha	505 Yukon Dr	Fairbanks	AK	99775	(907) 474-7034
KAP, Thawng	Bldg 3703A 3703 Santiago Ave.	Fort Wainwright	AK	99703	(907) 353-6218
BAWI, Chan	2417 Tongass Ave	Ketchikan	AK	99901	(907) 228-1900
Sang, Cung Kip	313 Sand Mountain Drive	Albertville	AL	35950	(256) 891-0390
OO, Myo Thein	1802 6th Avenue	Birmingham	AL	35249	(205) 996-2719
TANGSUWAN, Nate	3075 US Highway 98	Daphne	AL	36526	(251) 270-5006
MANG, Thang Suan	9867 State Highway 104	Fairhope	AL	36532	(251) 279-6001
SIAM, Gin	BLDG 9213 HUTTON PLAZA RD	Fort Rucker	AL	36362	(334) 255-3430
SANG, Sawm	1545 Gulf Shores Parkway	Gulf Shores	AL	36542	2519684911
Sang, Cung Kip	14214 Southgate Plaza	Guntersville	AL	35976	(256) 582-3470
THANG, John Hlawn Nuam	1221 Almon Street	Heflin	AL	36264	(256) 463-2310
AUNG, Pyone Moh Moh	335 S Kelly Str. Bldg # 1085	Maxwell AFB	AL	36112	(334) 953-7175
AUNG, Pyone Moh Moh	115 N. Turner Blvd	Maxwell- Gunter AFB	AL	36114	(334) 416-7920
BIK, Iang Ci	7765 Airport Blvd	Mobile	AL	36608	(251) 272-5026
KHAN, Pau Za	5 Mobile Infirmary Circle	Mobile	AL	36607	(251) 435-2400
LIAN, Chan	4350 Old Shell Road	Mobile	AL	36608	2513800020
Castillo, Lesly	2105 E South Blvd	Montgomery	AL	36116	(334) 288-2100
CIN ZAH, Tuang Bawi Chin Par	1000 Jemison Lane	Mountain Brook	AL	35223	(205) 802-9189
KAP, Thang Suan	25405 Perdido Beach Blvd	Orange Beach	AL	36561	(251) 981-9451
THANG, John Hlawn Nuam	115 E Ladiga St	Piedmont	AL	36272	(256) 447-8006
SUNG, Sung	Acton Drive Bldg 3224	Redstone Arsenal	AL	35898	(256) 876-3517
THANG, John Hlawn Nuam	1115 Main St	Roanoke	AL	36274	(334) 863-6712
Li, Xue	112 Saraland Loop	Saraland	AL	36571	(251) 675-8124
MIN, Paing Soe	6729 Spanish Fort Blvd.	Spanish Fort	AL	36527	(251) 621-0552
MANG, Kam Khan	7361 Theodore Dawes Road	Theodore	AL	36582	2516537391
THANG, John Hlawn Nuam	190 Village Ln	Wedowee	AL	36278	(256) 357-4914
MARIP, Seng Lum	9601 Baptist Way	Little Rock	AR	72205	(501) 202-2200
HKUM, Lung	Bldg 790 Sixth Street	Little Rock AFB	AR	72099	5019876990
PAU, Zam Suan	21064 W. Main St.	Buckeye	AZ	85396	(623) 388-6000
MYINT, Khin Maung	650 W Finnie Flat Rd	Camp Verde	AZ	86322	(928) 567-4585
PEI, Sin	36889 Tom Darlington	Carefree	AZ	85377	(480) 488-1797
RAI, San Kyu	29834 North Cave Creek Road	Cave Creek	AZ	85331	(480) 563-9335
CHIT, Ye Naing	1955 W Fry Road	Chandler	AZ	85224	(480) 728-3000
TIN MYINT, Khadija Binti	4970 South Alma School Road	Chandler	AZ	85248	(480) 883-0255
VANG, Zai Mawi	1031 N US Hwy 89	Chino Valley	AZ	86323	(928) 636-8358
MON, Thida	1635 East Cottonwood St	Cottonwood	AZ	86326	(928) 634-3711
MUANG, Pau Sian	1201 South Plaza Way	Flagstaff	AZ	86001	(928) 779-3401
CIN, Biak	4910 N Highway 89	Flagstaff	AZ	86004	(928) 526-6116
THAWNG, Bawi Nun	2700 S. Woodlands Village Blvd.	Flagstaff	AZ	86001	(928) 774-3882
SAW, San Maung Win	1200 N. Beaver Street	Flagstaff	AZ	86001	(928) 779-3366
MUNG, Peter	1500 E Cedar Ave	Flagstaff	AZ	86004	(928) 774-3774
MOON, Jeong Hee	3325 North Hunt Highway	Florence	AZ	85132	(520) 723-0179
MANG, Kham Khen	2170 Arizona St. Bldg 61610.	Fort Huachuca	AZ	85613	(520) 533-3316
MAWI, Angela Tuan Sui	13733 Fountain Hills Blvd.	Fountain Hills	AZ	85268	(480) 837-0287
PAKATA, Naing	861 E. Warner Road	Gilbert	AZ	85296	(480) 558-0105
WIN, Kyaw Naing	99 S. Higley Rd	Gilbert	AZ	85296	(480) 926-5220
MUNG, Hau Khan	6645 WEST PEORIA Ave	GLENDALE	AZ	85302	(623) 773-2947
MUNG, Tuang	7175 N. 138th Ave.	Glendale	AZ	85307	(623) 935-3821
KHAING, Aung Kyaw	5555 W. Thunderbird Rd	Glendale	AZ	85306	(602) 865-5555
KIM, Lal Thafam	20205 N 67th Ave	Glendale	AZ	85308	(623) 572-8814
THANG, Hrang Lian	3800 W Happy Valley Road	Glendale	AZ	85310	(623) 518-1946
AWI, Om	5310 Superstition Mtn. Drive	Gold Canyon	AZ	85118	(480) 474-9401

AFC Food Service Counters  
Franchisee List  
as of March 31, 2024

Franchisee Name	Address	City	State	Zip	Phone
MARAN, Gum Hkawng La	440 N Estrella Pkwy	Good Year	AZ	85338	(623) 476-1708
THAWNG, Dang Ling	14175 W. Indian School	Goodyear	AZ	85395	(623) 935-3228
SUN, Yiyi	9890 S. Estrella Parkway	Goodyear	AZ	85338	(623) 691-6417
KOP, Pom Khan	3970 Stockton Hill Rd	Kingman	AZ	86409	(928) 681-4900
THEIN, Shwe	3269 Maricopa Ave	Lake Havasu City	AZ	86406	(928) 854-9550
CIN, Biak	20 W White Mountain Blvd	Lakeside	AZ	85935	(928) 367-6677
MAWI, Biak	5115 N. Dysart Road	Litchfield Park	AZ	85340	(623) 547-4580
MYINT, Wah	21044 N. John Wayne Pkwy	Maricopa	AZ	85239	(520) 836-4400
MAUNG, Win Htwe	2864 N Power Road	Mesa	AZ	85215	(480) 830-7900
MOHAMMED KASSIM, Noor Bahar Binti	1400 S Dobson Rd	Mesa	AZ	85202	(480) 412-3000
CHO, Jeongae	1122 North Higley Road	Mesa	AZ	85205	(480) 396-8098
CHO, Jeongae	1133 N. Ellsworth Road	Mesa	AZ	85207	(480) 357-3300
AUNG, Mar Lar	12122 North Rancho Vistoso	Oro Valley	AZ	85755	(520) 297-4344
KIM, Lal Thafam	8240 W. Deer Valley Road	Peoria	AZ	85382	(623) 572-5744
KHAI, Do Cin	28455 N. Vistancia Blvd	Peoria	AZ	85383	(623) 243-9204
NYI, Nyi	10641 W Olive Ave	Peoria	AZ	85345	(623) 583-7227
ZAR, Hla Thu	340 E. McDowell	Phoenix	AZ	85004	(602) 252-4538
SOE, Yee Yee	10631 N. 32nd Street	Phoenix	AZ	85028	(602) 996-1040
SOE, Yee Yee	731 E. Union Hills Dr	Phoenix	AZ	85024	(602) 652-9520
LIAN, Pau Suan	9201 W Thomas Rd	Phoenix	AZ	85037	(623) 327-4000
PI, Piang	1111 E. McDowell Rd	Phoenix	AZ	85006	(602) 839-2000
HTUN, Khine Khin	21001 N Tatum Blvd Suite 76	Phoenix	AZ	85050	(480) 342-8231
TUN, Myo	1919 E Thomas Road	Phoenix	AZ	85016	(602) 933-1000
Weerasa, Sayun	350 W. Thomas Road	Phoenix	AZ	85013	(602) 406-3000
HMUNG, No Tin	4855 E Warner Rd.	Phoenix	AZ	85044	(480) 496-8191
OO, Khin Thida	9020 W. Thomas Road	Phoenix	AZ	85037	(623) 872-6200
TIAL, Ni	1334 East Chandler Blvd	Phoenix	AZ	85048	(480) 283-0032
PHAY, Tun	5521 N 7th St	Phoenix	AZ	85014	(602) 222-1820
THANG, Hrang Lian	3130 W Carefree Highway	Phoenix	AZ	85086	(623) 582-4985
MAUNG, Win Htwe	23760 S. Power Rd	Queen Creek	AZ	85142	(480) 279-5700
Saw Ju, Saw Min	8423 E. McDonald Drive	Scottsdale	AZ	85250	(480) 948-8110
Saw Ju, Saw Min	10111 E. Bell Road	Scottsdale	AZ	85260	(480) 563-0624
SOE, Yin Min	8035 E. Indian School Road	Scottsdale	AZ	85251	(480) 946-6821
THAR, Soe Moe	23565 N. Scottsdale Rd.	Scottsdale	AZ	85255	(480) 585-9366
THAR, Soe Moe	14696 N Frank Lloyd Wright Blvd	Scottsdale	AZ	85260	(480) 994-5653
SUNG, Tial Chin	7920 E. Chaparral Rd.	Scottsdale	AZ	85250	(480) 532-8588
SYMMONDS, Chong Ae	20901 N. Pima Road	Scottsdale	AZ	85255	(480) 585-3552
WIN, Thomas Soe	32551 N. Scottsdale Rd.	Scottsdale	AZ	85266	(480) 595-9844
KHAING, Cho Cho	6501 E. Greenway Parkway	Scottsdale	AZ	85254	(480) 991-3317
KYAW, Aung	11475 E. Via Linda	Scottsdale	AZ	85259	(480) 767-0819
KYAW, Aung	6965 N Hayden Road	Scottsdale	AZ	85250	(480) 991-9707
REM, Tum	10773 North Scottsdale Road	Scottsdale	AZ	85254	(480) 948-6446
PENG, David Lian	100 Verde Valley School Road	Sedona	AZ	86351	(928) 284-2202
AUNG, Nge Nge	2300 West Highway 89A	Sedona	AZ	86336	(928) 282-0118
CIN, Biak	900 W. Deuce of Clubs	Showlow	AZ	85901	(928) 532-5656
JIAN, Jonathan	2190 East Fry Blvd	Sierra Vista	AZ	85635	(520) 459-4204
LAL, Paul Thawng Khau	14502 W. Meeker Blvd	Sun City	AZ	85375	(623) 524-4000
PAU, Zam Suan	10410 W. Thunderbird Blvd	Sun City	AZ	85351	(623) 524-4000
MAUNG, Win Htwe	10325 E. Riggs Rd	Sun Lakes	AZ	85248	(480) 802-7180
THA, Biak	17230 W Peoria Ave.	Surprise	AZ	85374	(623) 518-1059
LAMUNG, Ah Hkawng	14551 W Grand Ave	Surprise	AZ	85374	(623) 546-8038
LAMUNG, Ah Hkawng	17049 W Bell Rd	Surprise	AZ	85374	(623) 518-1059
BIK, Pa	15480 W Waddell Rd	Surprise	AZ	85379	(623) 214-6460
HMUNG, No Tin	1761 E. Warner Rd	Tempe	AZ	85284	(480) 839-9778
HTOO, Saw	926 East Broadway Rd.	Tempe	AZ	85282	(480) 829-6824

AFC Food Service Counters  
Franchisee List  
as of March 31, 2024

Franchisee Name	Address	City	State	Zip	Phone
HTOO, Saw	1515 e. Elliot Rd	Tempe	AZ	85284	(480) 755-1844
THI, Myat Kay	1625 N. Campbell Ave	Tucson	AZ	85724	(520) 694-8888
KHAM, Thawng C	1940 E. Broadway Blvd.	Tucson	AZ	85719	(520) 206-9047
WIN, Samuel	8360 N Thornydale Rd	Tucson	AZ	85741	(520) 744-4488
CIN, Lo Deih	2140 W Grant Rd	Tucson	AZ	85745	(520) 792-0083
CHHA, James Khe	4752 E. Sunrise Drive	Tucson	AZ	85718	(520) 299-3534
ZAW, Sthan	9100 N. Silverbell	Tucson	AZ	85743	(520) 579-8365
KYAW, Saw Type Pue	9460 E Golf Links Rd	Tucson	AZ	85730	(520) 296-0042
KYAW, Saw Type Pue	10380 E. Broadway Blvd	Tucson	AZ	85748	(520) 885-7777
BOIH, Kim	9125 East Tanque Verde Rd.	Tucson	AZ	85749	(520) 760-6087
BOIH, Kim	7177 E Tanque Verde Rd	Tucson	AZ	85715	(520) 731-0117
LIAM, Biak	2854 N Campbell Ave	Tucson	AZ	85719	(520) 321-1212
PIANG, Pau Sian	15310 N. Oracle Road	Tucson	AZ	85739	(520) 575-7300
LIAN, Go Khan	6900 E Sunrise Dr	Tucson	AZ	85750	(520) 299-0633
IRELAND, In	5455 East Comanche St.	Tucson	AZ	85707	(520) 790-4341
LIAN, Go Khan	5301 E Grant Road	Tucson	AZ	85712	(520) 324-5220
HTOO, Aj Saw	13380 E Mary Ann Cleveland way	Vail	AZ	85641	(520) 526-7087
LEE, Molly	2531 Blanding Ave.	Alameda	CA	94501	(510) 814-8800
FAN, Kevin	2531 Blanding Ave	Alameda	CA	94501	(510) 814-8800
AYE, Kim H.	26901 Aliso Creek Road	Aliso Viejo	CA	92656	(949) 362-3727
Lu, Pin	5600 Santa Ana Canyon Rd.	Anaheim	CA	92807	(714) 998-3751
SANDAR, Aye	711 S Weir Canyon Rd.	Anaheim	CA	92808	(714) 283-8711
LWIN, Maung	915 S. Brookhurst	Anaheim	CA	92804	(714) 635-3670
Lu, Pin	8010 E. Santa Ana Canyon Rd.	Anaheim Hills	CA	92808	(714) 282-7064
LAWI, Nai Lawi Chan Mon	2601 Balls Ferry Rd	Anderson	CA	96007	(530) 527-4997
WINT, Kyaw Thu Zaw	7901 Walerga Rd.	Antelope	CA	95843	(916) 725-0333
KHAING, Tun Aung	7901 Walerga Rd.	Antelope	CA	95843	(916) 725-0333
CAO, Xueying	211 E Foothill Blvd.	Arcadia	CA	91006	(626) 357-1942
MARCO, Benadeto	745 W. Naomi Ave.	Arcadia	CA	91007	6264469483
NGUI, Kyaw Tin	13384 Lincoln Way,	Auburn	CA	95603	(530) 885-0669
AYE, Win	2222 Grass Valley Hwy	Auburn	CA	95603	(530) 889-8626
BULATETSKYI, Yurii	2222 Grass Valley Hwy	Auburn	CA	95603	(530) 889-8626
SAY, Saw Wah Ler	9000 Ming Avenue	Bakersfield	CA	93311	(661) 663-0595
HTOO, Kyaw Kaw	17601 25th Street	Beale AFB	CA	95903-1723	(530) 634-2422
MIN, Tun	9440 Mill St	Ben Lomond	CA	95005	(831) 336-3900
MARAN, Zau Seng	890 Southampton Rd.	Benicia	CA	94510	(707) 746-1203
CUAI, Cuai	42150 Washington Street	Bermuda Dunes	CA	92203	(760) 200-0272
CAO, Jayson Long	305 W. Imperial Hwy	Brea	CA	92821	(714) 529-4505
AUNG, Nwe Nwe	2400 Sand Creek Rd	Brentwood	CA	94513-8386	(925) 513-9400
LIN, Chuck Shin	2600 W. Victory Blvd.	Burbank	CA	91505	8188455914
KIM, Yunhee	1100 N San Fernando Blvd	Burbank	CA	91504	(818) 845-6424
HLAING, Aye Min Min	25 E Alameda Ave	Burbank	CA	91502	8185561558
MIN, Kyaw	1477 Chapin Ave.	Burlingame	CA	94010	6505589992
LWIN, Soe Myint	674 Las Posas	Camarillo	CA	93010	(805) 388-1781
TOO, Naw M	1602 W. Campbell Ave.	Campbell	CA	95008	(408) 379-6650
CHOI, Chang Won	809 Bay Ave.	Capitola	CA	95010	8314765600
BAEK, Min	6951 El Camino Real	Carlsbad	CA	92009	(760) 431-0157
BYUN, Sue	3439 Via Montebello	Carlsbad	CA	92009	(760) 633-0114
ZOU, Meiqi	4005 Manzanita Ave.	Carmichael	CA	95608	(916) 483-2691
PHAN, Nang Arr	5159 Fair Oaks Blvd	Carmichael	CA	95608	(916) 483-9033
TAN, Hwee Ngaw	650 E Carson St.	Carson	CA	90745	(310) 518-4191
HAN, Jingyuan	29675 The Old Road	Castaic	CA	91384	(661) 702-6911
HLAING, Zaw Zaw	211 West East Ave.	Chico	CA	95926	(530) 899-3300
HLAING, Zaw Zaw	1366 East Ave	Chico	CA	95926	(530) 899-2320
VANG, Sou	720 Mangrove Street	Chico	CA	95926	(530) 895-6300

AFC Food Service Counters  
Franchisee List  
as of March 31, 2024

Franchisee Name	Address	City	State	Zip	Phone
MIN, Khun Zayar	1650 Herndon Ave	Clovis	CA	93611	(559) 297-6410
XU, Changming	2661 Green River Rd	Corona	CA	92882	(951) 371-4868
DENG, Xiaolong	12660 Limonite Ave	Corona	CA	92880	(951) 734-1087
WINSWE, Hanmuyar	380 E. 17th Street	Costa Mesa	CA	92627	(949) 631-7357
OO, Maung Saw	546 East Cotati Ave.	Cotati	CA	94931	(707) 795-9501
SAW, Joseph	32555 Golden Lantern	Dana Point	CA	92629	(949) 661-6334
SLAUSON, Jason Robert	24871 Del Prado	Dana Point	CA	92629	(949) 661-4145
BUI, Kimoanh Thi	4100 Black Hawk Circle	Danville	CA	94506	(925) 648-5800
KANG, Young Goo	2606 Del Mar Heights Rd.	Del Mar	CA	92014	(858) 755-5304
TUN, Thet	312 West Fitzgerald Blvd	Edwards AFB	CA	93524	(661) 277-4589
CHEN, De Quan	3383 Bass Lake Rd	El Dorado Hills	CA	95762	(530) 313-4920
OO, Khin Aye	2207 Francisco Drive	El Dorado Hills	CA	95762	(916) 939-9456
ALVAREZ, Eddie Antonio	3828 N Peck Rd.	El Monte	CA	91732	(626) 442-8200
YANG, Wen	2320 Mercury Ave. BLDG 251	El Segundo	CA	90245	(310) 414-9001
HTAY, May Than	3360 San Pablo Dam Road	EL SOBRANTE	CA	94803	(510) 222-5935
LIN, Richard	4900 Elk Grove Blvd	Elk Grove	CA	95757	(916) 683-0700
MYO, Mon Nandar	5100 Laguna Blvd.	Elk Grove	CA	95758	(916) 684-7000
CHANG, Chia Lin	4900 Elk Grove Blvd	Elk Grove	CA	95758	(916) 683-0700
KYI, Kyaw Zwa	9435 Elk Grove Blvd.	Elk Grove	CA	95624	(916) 714-6996
XU, Qiwen	5100 Laguna Blvd.	Elk Grove	CA	95758	(916) 684-7000
KYAW, Myo Myint	5021 Laguna Blvd.	Elk Grove	CA	95758	(916) 691-3770
CHIA, Soon	9630 Sierra Ave.	Fontana	CA	92335	(909) 755-0378
PAN, Winny	16225 Sierra Lakes Pkwy	Fontana	CA	92336	9093571380
SONG, Min Soo	26751 Portola Pkwy	Foothill Ranch	CA	92610	(949) 457-9349
TUN, Danny	3920 Inner Loop Rd., Bldg. 920	Fort Irwin	CA	92310	(760) 380-3560
KIM, Jin Young	18405 Brookhurst St.	Fountain Valley	CA	92708	(714) 964-7566
AUNG, Mung Myat	39200 Paseo Padre Parkway.	Fremont	CA	94538	(510) 791-0233
MIN, Khun Zayar	8949 N Cedar Ave	Fresno	CA	93720	(559) 438-1403
SIN, Thant	5638 E Kings Canyon Rd.	Fresno	CA	93727	(559) 458-0209
LIN, Nathan	1121 N Harbor Blvd	Fullerton	CA	92832	(714) 992-2591
ZHAO, Guanghao	3330 Yorba Linda Blvd	Fullerton	CA	92831	(818) 548-0584
AUNG, Saw M.	10430 Twin Cities Rd	Galt	CA	95632	(209) 745-4668
ZENG, Shuhua	10430 Twin Cities Rd.	Galt	CA	95632	(209) 745-4668
LWIN, Maung	12051 Euclid Ave	Garden Grove	CA	92840	(714) 636-6526
JUNG, Gordon	777 First St.	Gilroy	CA	95020	(408) 847-4857
WIN, John	5170 Hollister Ave	Goleta	CA	93111	(805) 692-0022
SEO, Byung Mo	16940 Devonshire St.	Granada Hills	CA	91344	(818) 363-3173
NAING, Toe	18010 Chatsworth St.	Granada Hills	CA	91344	(818) 831-6556
ENKHBAATAR, Sarangerel	6845 Douglas Blvd.	Granite Bay	CA	95746	(916) 791-8000
SWE, Mon Mon	692 Freeman Lane	Grass Valley	CA	95949	(530) 272-1958
LAZING, Lu San	867 Suttonway	Grass Valley	CA	95945	(530) 273-2249
MAUNG, Win Min	270 Bon Air Center	Greenbrae	CA	94904	(415) 461-1164
PHYO, Pyae Sone	1758 W. Grand Ave.	Grover Beach	CA	93433	(805) 481-0877
AUNG, Nay Win	1345 Healdsburg Ave.	Healdsburg	CA	95448	(707) 433-7151
OO, Ne Tun	1700 Airline Hwy	Hollister	CA	95023	(831) 637-7447
PARK, Il Min	19081 Goldenwest	Huntington Beach	CA	92648	(714) 960-8756
SOE, Phyo Lin	5241 Warner Ave	Huntington Beach	CA	92649	(714) 377-0024
SAN, Thi Thi	49908 Jefferson Street	Indio	CA	92201	7607714373
KIM, Tae Wan	5345 Alton Parkway	Irvine	CA	92604	(949) 552-0597
KIM, Mi Sook	6300 Irvine Blvd	Irvine	CA	92620	(949) 559-1139
LAY, Tint Lei	14400 Culver Drive	Irvine	CA	92604	(649) 552-3065
LEE, Yeanyong	17605 Harvard Ave	Irvine	CA	92614-8544	(949) 851-3161
THU, Ar Kar Myo	7815 N. Lake Blvd.	Kings Beach	CA	96143	(530) 546-0170
ALVAREZ, Eddie Antonio	1305 W Whittier Blvd.	La Habra	CA	90631	(714) 507-7602
KIM, Bok Soon	8011 University Ave	La Mesa	CA	91942	(619) 464-1011

AFC Food Service Counters  
Franchisee List  
as of March 31, 2024

Franchisee Name	Address	City	State	Zip	Phone
LEE, Mike	831 N Hacienda Blvd.	La Puente	CA	91744	(626) 435-1440
OO, Yin Yin	1600 Foothill Blvd	La Verne	CA	91750	9095932572
MOE, Sanda	700 S Coast Highway	Laguna Beach	CA	92651	(949) 497-6410
WANG, Yaping	25539 Paseo De Valencia	Laguna Hills	CA	92653	(949) 951-0966
KIM, Do Youn	28231 Crown Valley Pkwy	Laguna Niguel	CA	92677	(949) 831-0767
TAN, Hock Hein	21751 Lake Forest Dr	Lake Forest	CA	92630	(949) 855-1242
WANG, Yaping	23716 El Toro Rd.	Lake Forest	CA	92630	(949) 380-0179
KIM, Jong Sei	5500 Woodruff Ave.	Lakewood	CA	90713	(562) 866-3781
WIN, Maung Mya	BLDG 795 REEVES BLVD	LEMOORE	CA	93246	(559) 998-4669
HTUN, Kay Thi	39 Lincoln Blvd	Lincoln	CA	95648	(916) 408-5775
HTIN LIN, Ni Ni	919 East Stanley Blvd	Livermore	CA	94550	(925) 443-9500
CHEN, Xiaoke	5949 E. Spring St.	Long Beach	CA	90808	(562) 496-2151
TUN, Tun	6119 Horseshoe Bar Road	Loomis	CA	95650	(916) 652-5737
THAN, Naing	342 First Street	Los Altos	CA	94022	(650) 948-4425
YI, Eun San	21909 Ventura Blvd	Los Angeles	CA	91364	(818) 883-1907
CHIA, Soon	944 E Stauson Ave.	Los Angeles	CA	90011	(323) 846-8804
HONG, James Kee	1111 S.Figueroa Street	Los Angeles	CA	90015	(213) 742-7825
MIN, Tun	24197 Summit Road	Los Gatos	CA	95033	(408) 353-2186
BLOI , Sanone	1240 Los Osos Valley Rd	Los Osos	CA	93402	(805) 528-0112
LIANG, XiongFeng	23841 W. Malibu Road	Malibu	CA	90265	3104562917
PARK, Byunghoon	2700 N Sepulveda Blvd	Manhattan Beach	CA	90266	(310) 546-2472
AYE, Nay Myint	1280 Lathrop Rd.	Manteca	CA	95336	(209) 825-0242
NAM, Kyung Mo	4700 Admiralty Way	Marina Del Rey	CA	90292	(310) 823-4684
KOH, Hyun Joo	4311 Lincoln Blvd.	Marina Del Rey	CA	90292	(310) 574-0909
TINT, Aye Aye	5034 Coakley Circle	Mariposa	CA	95338	(209) 742-6100
WIN, Nyo Nyo	520 Center Ave.	Martinez	CA	94553	(925) 370-9400
THEIN, Aye Mon Mon	Bldg 20850 Vandegrift Blvd	MCB Camp Pendleton	CA	92055	(760) 430-1701
SAN, Htiike Htiike	5507 Dudley Blvd.Bldg. 910	McClellan	CA	93723	(916) 925-8541
BANTHAO, Pornphet Ricky	30125 Antelope Rd.	Menifee	CA	92584	(951) 679-2117
THAN, Naing	1010 University Drive	Menlo Park	CA	94025	6503247700
THANTINT, Maung	3550 North G Street,	Merced	CA	95340	(209) 722-3689
THU, Nay Myo	21088 Calistoga Rd.	Middletown	CA	95461	(707) 987-3020
PHAN, Phuoc Hong	25104 Marguerite Parkway	Mission Viejo	CA	92692	(949) 830-3066
SHANG, Chengwu	27730 Santa Margarita Pkwy	Mission Viejo	CA	92691	(949) 837-0380
AUNG THU, Su Myat	3020 Floyd Avenue	Modesto	CA	95355	(209) 551-2050
PAN, Peiyya	130 West Foothill Blvd	Monrovia	CA	91016	6263034547
LYU, Fang	330 North Atlantic Blvd.	Monterey Park	CA	91754	(626) 289-0261
WAHYUNI, Sri	2230 South Atlantic Blvd.	Monterey Park	CA	91754	(323) 721-3367
CHAE, Min Chul	101 W. Los Angeles Ave.	Moorpark	CA	93021	(805) 529-1604
KIM, Han Joo	1355 Moraga Way	Moraga	CA	94556	(925) 376-9492
TUN, Aung Kyaw	451 Vineyard Town Center	Morgan Hill	CA	95037	(408) 779-8485
SOE, Yan Naing	19555 South Mountain House Parkway	Mountain House	CA	95931	(209) 362-1256
HTWE, Ni Ni	1250 Grant Road	Mountain View	CA	94040	(650) 390-9222
LIAN, Cung Thawng	23801 Washington Ave.	Murrieta	CA	92562	(951) 677-2297
MARAN, Zau Seng	217 Soscol Ave.	Napa	CA	94559	(707) 224-7897
HTOO, Saw Sar	611 Trancas Street,	Nappa	CA	94558	(707) 224-8583
Tun, Aik	1945 N Street,	Newman	CA	95360	(209) 862-1002
WINSWE, Hanmuyar	1150 Irvine Ave	Newport Beach	CA	92660	(949) 646-1411
PARK, Jung Mi	2555 East Bluff Drive	Newport Beach	CA	92660	(949) 644-2060
CABREROS, Elvira	520 West Tefft St.	Nipomo	CA	93444	(805) 931-1850
HLAING, Aye Min Min	10900 Magnolia Blvd	North Hollywood	CA	91601	8187604148
AUNG, Maung Aye Tun	40041 Highway 49	Oakhurst	CA	93644	(559) 683-8300
AUNG, Maung Aye Tun	40044 Highway 49	Oakhurst	CA	93644	(559) 642-4250
GAO, Peter	3075 S. Archibald Bldg	Ontario	CA	91761	(909) 947-1884
KHINE, Aung	101 The City Dr.	Orange	CA	92868	(714) 319-2896

AFC Food Service Counters  
Franchisee List  
as of March 31, 2024

Franchisee Name	Address	City	State	Zip	Phone
LIAO, Chyong-Ing	1435 W. Chapman Ave	Orange	CA	92868	(714) 634-2905
LEE, Tong Neng	2325 Meyers Street.	Oroville	CA	95966	(530) 533-2515
NAING, Thuya H.	1291 S. Victoria Blvd.	Oxnard	CA	93030	(805) 984-0651
KIM, Jeoungdai	250 W. Esplanade Dr	Oxnard	CA	93036	(805) 288-8686
LIU, Li	15120 Sunset Blvd.	Pacific Palisades	CA	90272	(310) 454-3001
AGUILAR, Rogelio A	74884 Country Club Drive	Palm Desert	CA	92260	(760) 776-9821
HTOI, Hkawn	1733 E Palm Canyon Dr.	Palm Springs	CA	92264	(760) 325-5664
HTOI, Hkawn	425 S Sunrise Way, Bldg A	Palm Springs	CA	92262	7603274370
TUN, Thet	3027 Rancho Vista Blvd.	Palmdale	CA	93551	(661) 265-9285
GUO, Sai	164 S California Ave.	Palo Alto	CA	94306	6503238361
WIN, Aung Naing	3922 Middlefield Road	Palo Alto	CA	94303	(650) 494-1629
LWIN, San	320 W Colorado Blvd.	Pasadena	CA	91105	6267934179
LEE, Brandon Hyon	3601 E Foothill Blvd	Pasadena	CA	91107	(626) 351-8806
HTET, Myo	155 California Blvd	Pasadena	CA	91105	(626) 577-7149
KYI, Tin Thidar	160 N Lake Ave	Pasadena	CA	91101	(626) 793-7480
PHYO, Zin Mimi	2355 East Colorado Blvd.	Pasadena	CA	91107	6267442615
MOH, Sabai Win	210 Western Ave.	Petaluma	CA	94952	(707) 762-5464
TRAN, Jaclyn Mai	710 N Rose Dr.	Placentia	CA	92870	(714) 524-3984
KYAW, Dawi	5420 Sunol Blvd	Pleasanton	CA	94566	(925) 846-4471
NAING, Thuya H.	130 23rd Ave.	Port Hueneme	CA	93043	(805) 982-2400
TUN, Tin Myat	615 W. Channel Islands	Port Hueneme	CA	93041	8059842005
SU, Zhiling	12201 Highland Ave	Rancho Cucamonga	CA	91739	(909) 646-9356
MYINT, Kyi	7369 Miliken Ave	Rancho Cucamonga	CA	91730	(909) 944-4827
LI, Yiji	7243 Haven Ave	Rancho Cucamonga	CA	91701	(909) 944-4838
CAO, Yang	8778 19th St.	Rancho Cucamonga	CA	91701	9099891000
ANG, Chris Htet	30019 Hawthorne Blvd	Rancho Palos Verdes	CA	90275	(310) 377-6941
PHAN, Phuoc Hong	31481 S. Margarite Pkwy	Rancho Santa Margar	CA	92688	(949) 589-0156
PAING, Kaung Khant	725 S. Main st.	Red Bluff	CA	96080	(530) 527-6902
LAWI, Nai Lawi Chan Mon	1070 East Cypress Ave	Redding	CA	96002	(530) 226-5871
LAWI, Nai Lawi Chan Mon	2275 Pine Street	Redding	CA	96001	(530) 247-3030
MIN, Thet	201 Lake Blvd.	Redding	CA	96003	(530) 246-3508
CJUNG, Sang	1413 Hawthorne Blvd	Redondo Beach	CA	90278	(310) 370-9446
HE, Jason Wenhong	270 Redwood Shore Pkwy	Redwood city	CA	94065	(650) 654-2106
YANG, Wen	15150 6th St.	Riverside	CA	92518	(951) 653-2206
GALAVIZ, Wendy	6155 Magnolia Ave	Riverside	CA	92506	(951) 274-9543
LEE, James K	3350 LA Sierra Ave	Riverside	CA	92503	(951) 637-1948
MARAN, Brang Mai	5225 Canyon Crest Dr	Riverside	CA	92507	9517843123
HE, Rong	2220 Sunset Blvd.	Rocklin	CA	95765	(916) 789-0101
LAH PAI, Rolium	2341 Sunset Blvd	Rocklin	CA	95765	(916) 632-0180
Park, Heesun	100 Raley's Town Center	Rohnert Park	CA	94928	(707) 585-3222
OO, Aung Aung	9045 Woodcreek Oaks Blvd.	Roseville	CA	95747	(916) 780-9919
ENKHBAATAR, Sarangerel	4008 Foothills Blvd.	Roseville	CA	95747	(916) 783-1173
RAO, Jianhui	1039 Sunrise Ave.	Roseville	CA	95661	(916) 786-6101
MON, Wah Wah	1020 Johnson Ln	S. Lake Tahoe	CA	96150	(530) 542-7740
YI, Lae Lae	4320 Arden Way	Sacramento	CA	95864	(916) 972-0555
LI, Yong Huo	7465 Rush River Dr.	Sacramento	CA	95831	(916) 399-9091
LWIN, Yuki S	1540 West El Camino	Sacramento	CA	95833	(916) 920-2493
LWIN, Yuki S	3250 Arena Blvd.	Sacramento	CA	95834	(916) 419-8844
HTET, Kyaw Min	1301 Florin rd.	Sacramento	CA	95831	(916) 421-6766
ZAW, Aung Zaw	8377 Elk Grove Florin Rd.	Sacramento	CA	95829	(916) 681-8666
CHANG, Chia Lin	7465 Rush River Dr.	Sacramento	CA	95831	(916) 399-9091
LEE, Jong Heon	2851 Del Paso Rd	Sacramento	CA	95835	(916) 285-8840
AUNG, Khine	1800 19th St.	Sacramento	CA	95814	(916) 492-9967
LWIN, Aye Aye	5345 Elkhorn Blvd	Sacramento	CA	95842	(916) 331-2987
ZHENG, Xiankang	1025 Alhambra Blvd	Sacramento	CA	95816	(916) 456-0852

AFC Food Service Counters  
Franchisee List  
as of March 31, 2024

Franchisee Name	Address	City	State	Zip	Phone
LIAN, John Khawi	4650 Natomas Blvd.	Sacramento	CA	95835	(916) 419-6633
KYAW, Wunna	3680 Crocker Ave	Sacramento	CA	95818	(916) 285-8840
LAH PAI, Roilum	3518 Marconi Ave.	Sacramento	CA	95821	(916) 972-7177
WU, Ming Feng	1301 Florin Rd.	Sacramento	CA	95831	(916) 421-6766
TWAY, Tin Tin	4690 Freeport Blvd	Sacramento	CA	95822	(916) 451-0126
SHWE, Myint	3320 Arden Way	Sacramento	CA	95825	(916) 483-9389
CHEN, Siyin	1540 West El Camino	Sacramento	CA	95833	(916) 920-2493
MIN, Min	1320 South Main St.	Salinas	CA	93901	(831) 758-8481
LI, Yiji	4444 University Pkwy	San Bernadino	CA	92407	(909) 880-2253
NAING, Thet	22 Bayhill Shopping Ctr.	San Bruno	CA	94066	(650) 873-8075
SAW, Joseph	903 S El Camino Real	San Clemente	CA	92672	(949) 361-8729
JO, Joseph Junbo	811 Avenida Talega	San Clemente	CA	92673	(949) 492-1648
KIM, Sung Soo	5680 Mission Center Rd.	San Diego	CA	92108	(619) 297-2593
MAWI, Lal Rem	3645 Midway Dr.	San Diego	CA	92110	(619) 222-6462
SHIN, James Jae	3455 Del Mar Heights Rd	San Diego	CA	92130	(858) 259-1077
WIN, Khin Mar	11875 Carmel Mountain Road	San Diego	CA	92128	(858) 451-8376
WIN, Aye	MCAS Miramar Building 2661	San Diego	CA	92145	(858) 577-4516
SEIN, Kyig Kyig	515 West Washington Street	San Diego	CA	92103	(619) 220-0195
KIM, Jin Seok	4145 30th Street	San Diego	CA	92104	(619) 284-6672
HTWE, Khin Cho	NAS North Island., Bldg 2017	San Diego	CA	92135	(619) 545-6560
CHOI, Inyoung	5555 Balboa Ave.	San Diego	CA	92111	(858) 279-4661
MELTON, Michelle Lee	10016 Scripps Ranch Blvd.	San Diego	CA	92131	(858) 721-5350
SOE, Myat Hnin	3011 Alta View Drive	San Diego	CA	92139	(619) 470-0574
YOON, Young Sook	4315 Mission Blvd.	San Diego	CA	92109	(858) 273-0778
CHO, YONG JOON	1030 University Ave	San Diego	CA	92103	(619) 298-2931
ZI, Lidia Nguntha	10525 S Commons Drive	San Diego	CA	92127	(858) 675-0196
LIAN, Lal Ceu	1666 Rosecrans St.	San Diego	CA	92106	(619) 819-6040
SHIN, Kyungmi	2495 Truxtun Rd	San Diego	CA	92106	(619) 758-1725
KIM, Edward Taehung	4627 Carmel Mountain Rd.	San Diego	CA	92130	(858) 523-1842
ZI, Si Tin	3345 Sports Arena Blvd	San Diego	CA	92110	(619) 222-0688
UK, Bual Zahre	101 G Street	San Diego	CA	92101	(619) 595-1581
UK, Bual Zahre	6670 Montezuma Rd	San Diego	CA	92115	(619) 463-8893
KIM, Youngho	2525 Callagan Hwy.	San Diego	CA	92136	(619) 556-8657
KANG, Young Goo	7788 Regents Road	San Diego	CA	92122	(858) 455-6130
LEE, Chaung Lyan	2435 California Street	San Francisco	CA	94115	(415) 567-4902
MARAN, Grace	135 Powell Street	San Francisco	CA	94102	(415) 391-7222
MARAN, Grace	825 MARKET ST	San Francisco	CA	94103	(415) 543-9502
MARAN, Grace	459 POWELL ST	San Francisco	CA	94102	(415) 984-0793
MIN, Soe	448 Cortland Ave	San Francisco	CA	94110	(415) 648-3221
LEE, Helen	2111 Harrison Street	San Francisco	CA	94110	(415) 431-9300
LEE, Helen	1101 4th Street	San Francisco	CA	94158	(415) 943-8464
LEE, Helen	3701 Noriega Street	San Francisco	CA	94122	(415) 564-0370
THAN, Ma Myint Myint	635 Portola Drive	San Francisco	CA	94127	(415) 664-1600
LIN, Phillip	1530 Haight Street	San Francisco	CA	94117	(415) 255-0643
CHO, Daw Thi Thi	4201 18th Street	San Francisco	CA	94114	(415) 567-4902
WIN, Htay	3350 Mission St	San Francisco	CA	94110	(415) 826-2866
AUNG, Aye Thiri Myo	6061 Snell Ave.,	San Jose	CA	95123	(408) 225-0546
LIN, San	1970 Naglee Ave.	San Jose	CA	95126	(408) 294-9151
WIN, Aung Soe	1421 Foxworthy	San Jose	CA	95118	(408) 264-0103
BLOI, Sanone	201 Madonna Rd	San Luis Obispo	CA	93405	(805) 546-0407
MAUNG, Win Min	1218 W. Hillsdale Blvd.	San Mateo	CA	94403	(650) 341-9496
MIN, Kyaw	49 42nd Ave.	San Mateo	CA	94403	(650) 372-2828
THAN, Naing	222 E. Fourth Ave.	San Mateo	CA	94401	(650) 685-3700
MURAI, Misaki	1050 N. Western Ave.	San Pedro	CA	90732	(310) 833-3506
HTUT, Zinmin	155 Marinwood Ave	San Rafael	CA	94903	(415) 491-1965

AFC Food Service Counters  
Franchisee List  
as of March 31, 2024

Franchisee Name	Address	City	State	Zip	Phone
WIN, John	100 W Carrillo St	Santa Barbara	CA	93101	(805) 564-7000
CHOI, Tae Yun	3555 Monroe Street	Santa Clara	CA	95051	(408) 557-0115
JACOBSON, Yoni	1266 Soquel Ave.	Santa Cruz	CA	95062	(831) 423-8068
GURBAZAR, Bolortuya	1644 Cloverfield Blvd	Santa Monica	CA	90404	(310) 582-3900
HTAY, Khin Maung	1465 Town and Country Dr.	Santa Rosa	CA	95404	(707) 546-3663
LEI, Shao Rong	560 Montecito Blvd	Santa Rosa	CA	95409	(707) 537-7123
MOH, Thon Hin	461 Stony Point Road	Santa Rosa	CA	95401	(707) 284-3530
THU, Wai Min	100 Harbor Dr.	Sausalito	CA	94965	(415) 331-6900
MIN, Tun	14 Victor Square	Scotts Valley	CA	95066	(831) 438-4324
KIM, Younghee	222 Mt. Herman Rd.	Scotts Valley	CA	95066	(831) 438-1610
KANG, Young Em	4240 Gigling Rd.	Seaside	CA	93955	(831) 242-7668
MYINT, Jennie Myo	550 Gravenstein Hwy North	Sebastopol	CA	95472	(707) 823-1418
KYI, Marcus Chit	14049 Ventura Blvd	Sherman Oaks	CA	91423	(747) 233-6100
SANG, Esther	14440 Burbank Blvd	Sherman Oaks	CA	91401	(818) 989-5640
AUNG, Tin Htun	2726 E Los Angeles Ave	Simi Valley	CA	93065	(805) 527-1122
LEE, Sukgwan	931 Lomas Santa Fe Dr.	Solana Beach	CA	92075	(858) 481-1008
SOE, Thandar	24975 Pico Canyon Rd.	Stevenson Ranch	CA	91381	(661) 253-0656
WUN, Min Chan	4255 Morada Lane	Stockton	CA	95212	(209) 956-9300
SENHRANG, Phunhremang	10901 Ventura Blvd	Studio City	CA	91604	(818) 760-7008
HAN, Ki C	12842 Ventura Blvd	Studio City	CA	91604	(818) 761-6196
MYINT, Cho Cho	270 Sunset Ave.	Suisun City	CA	94585	(707) 426-1023
SENHRANG, Phunhremang	8325 Laurel Canyon Blvd	Sun Valley	CA	91352	(818) 768-0378
MAUNG, Myint	1356 S Mary Ave	Sunnyvale	CA	94087	(408) 212-4928
QI, Qinfeng	33145 Temecula Parkway	Temecula	CA	92592	(951) 303-3102
KYI, Tin Thidar	9470 Las Tunas Dr.	Temple City	CA	91780	(626) 286-8125
CHOI, Jeong A	1500 N Moorpark Rd.	Thousand Oaks	CA	91360	(805) 379-3100
CHAE, Min Chul	3963 E. Thousand Oaks Blvd.	Thousand Oaks	CA	91362	(805) 496-2469
MURAI, Misaki	1770 Carson St.	Torrance	CA	90501	(310) 787-8786
LEE, Hyungkyu	3455 Sepulveda Blvd	Torrance	CA	90505	(310) 542-1639
CAMACHO CARREON, Javier	5035 Pacific Coast Hwy	Torrance	CA	90505	(310) 378-0295
Htoo, Tint Lwin	2550 South Tracy Blvd	Tracy	CA	95376	(209) 830-7700
LWIN, Ko Ko	460 Skymaster Dr.	Travis AFB	CA	94535	(707) 437-4004
TAN, Thein	11290 Donner Pass Rd	Truckee	CA	96161	(530) 582-7950
KHAT, Tin	2900 Geer Rd.	Turlock	CA	95382	(209) 667-5253
KIM, Yoo Rok	13321 Jamboree Road	Tustin	CA	92782	(714) 544-0491
LWIN, May Thu	Twentynine Palms MCAGG	Twentynine Palms	CA	92278	7608307572
AUNG, Myint	1315 North State Street	Ukiah	CA	95482	(707) 468-5178
WEI, Li	81 W. Foothill Blvd	Upland	CA	91786	(909) 981-7709
MAW, Win Min	2090 Harbison Drive	Vacaville	CA	95687	(707) 452-7277
SAETEURN, Kao Seng	3061 Alamo Dr.	Vacaville	CA	95687	(707) 446-8707
KWONG, Mike Mo Yun	3061 Alamo Drive	Vacaville	CA	95687	(707) 446-8707
MOE, Soe	27760 N McBean Pkwy	Valencia	CA	91354	(661) 263-7690
MOE, Soe	25930 McBean Pkwy	Valencia	CA	91355	6612543440
KYWE, Kaung	17250 Saticoy St.	Van Nuys	CA	91406	(818) 609-8425
AUNG, Pyae Hein	12921 Magnolia Blvd	Van Nuys	CA	91423	(818) 986-2293
DEE, Saw Pit	7221 Woodman Ave	Van Nuys	CA	91405	(818) 785-3162
KYI, Moe Moe Min	135 Wyoming Ave	Vandenberg AFB	CA	93437	(805) 734-3354
LIEM, Lena	910 Lincoln Blvd	Venice	CA	90291	(310) 392-4854
TUN, Tin Myat	1776 Victoria Avenue	Ventura	CA	93003	8056500239
LEE, Soojee Ok	17801 Santiago Blvd.	Villa Park	CA	92861	(714) 998-0004
PE, Sai Nyi Nyi	12138 Yosemite Blvd	Waterford	CA	95386	(209) 874-9751
ZHENG, XiaoMei	1912 Main St.	Watsonville	CA	95076	(831) 728-9555
JACOBSON, Yoni	906 East Lake Ave	Watsonville	CA	95076	(831) 726-0420
LEE, Mike	1320 W Francisquito Ave.	West Covina	CA	91790	(626) 919-5183
OCHIRPUREV, Batmunkh	1601 West Capitol Ave	West Sacramento	CA	95691	(916) 372-3000

AFC Food Service Counters  
Franchisee List  
as of March 31, 2024

Franchisee Name	Address	City	State	Zip	Phone
OCHIRPUREV, Batmunkh	500 West Capitol Ave	West Sacramento	CA	95605	(800) 925-9989
THU, Aung	9230 Old Redwood Hwy	Windsor	CA	95492	(707) 687-2050
PARSONS, James Michael	1885 East Gibson Rd.	Woodland	CA	95776	(530) 668-4422
AYUSH, Byamba	367 West Main St.	Woodland	CA	95695	(530) 666-1156
DEE, Saw Pit	20060 Ventura Blvd	Woodland Hills	CA	91364	(818) 883-7552
Lu, Pin	20445 Yorba Linda Blvd	Yorba Linda	CA	92886	(714) 777-0781
KYI, Mya	1842 Fort Jones	Yreka	CA	96097	(530) 842-4307
AUNG, Ma Su Su	1286 Stabler Lane	Yuba City	CA	95993	(530) 755-3991
KHADKA RAUT, Sita	365 North Telluride	Aurora	CO	80011	(720) 847-5613
THANG, David Run Ceu	2798 Arapahoe Ave	Boulder	CO	80302	(303) 443-5888
THANG, David Run Ceu	4800 E Baseline Road	Boulder	CO	80302	(303) 494-5373
LIAN, Van	4747 Arapahoe Ave.	Boulder	CO	80303	(303) 415-7000
ZING, Hlawn Nei	3325 28th Street	Boulder	CO	80301	(303) 938-1271
MYINT, Thein Htay	6220 E 14th Ave	Denver	CO	80220	(303) 242-3526
MYINT, Thein Htay	801 16th Street	Denver	CO	80202	(303) 571-5314
THANG, Biak Cin	200 Quebec Street	Denver	CO	80230	(303) 340-4455
THANG, Biak Cin	560 Corona Street	Denver	CO	80218	(303) 777-1231
KOIRALA, Hareram	6460 E Yale Ave	Denver	CO	80222	(303) 691-8870
LIN, Naing	3840 E. 104th Ave.	Denver	CO	80233	(303) 255-0596
KIM, Seoghwan	3333 Arapahoe Road	Erie	CO	80516	(720) 890-0959
TUN, Zaw Zaw	451 E Wonderview Ave	Estes Park	CO	80517	(970) 586-4447
HUP, Lai	3851 S. Highway #74	Evergreen	CO	80439	(303) 674-6625
SUNG, Kyung Hee	1551 Prussman Blvd	Fort Carson	CO	80913	(719) 526-5811
AUNG, Thura	731 South Lemay	Fort Collins	CO	80524	(970) 221-5845
AUNG, Thura	2160 W. Drake Road	Fort Collins	CO	80521	(970) 484-6048
NUNG, Mang Cung	40 County Road 804	Fraser	CO	80442	(970) 726-9484
AWI, Mang	1008 Summit Blvd	Frisco	CO	80443	(970) 668-5144
KO, Ko	3660 S. Mason Street	Ft. Collins	CO	80525	(970) 223-3221
AUNG, Thura	1426 E. Harmony Road	Ft. Collins	CO	80525	(970) 223-6335
TUN, Zaw Zaw	1300 Dexter Street	Ft. Lupton	CO	80621	(303) 857-0136
BIK, Zaw	1701 Jackson Street	Golden	CO	80401	(303) 278-1861
CEU, Tawk Hlei	2512 Broadway	Grand Junction	CO	81057	(970) 257-0072
NAWL, Zion Za	2901 F Road	Grand Junction	CO	81504	(970) 248-9869
NAWL, Zion Za	681 Horizon Drive	Grand Junction	CO	81506	(970) 257-1392
THANG, Biak	4548 Centerplace Drive	Greeley	CO	80634	(970) 330-9956
PARK, Kyoung Sook	9255 S Broadway	Littleton	CO	80129	(303) 683-6895
KIM, Seoghwan	8134 Colorado Blvd	Longmont	CO	80504	(303) 833-2844
LIAN, Ro	1050 Ken Pratt Blvd	Longmont	CO	80501	(303) 651-7952
LIAN, Ro	1632 Hover Road	Longmont	CO	80501	(303) 776-0506
CUNG, Ai	910 West Cherry Ave	Louisville	CO	80027	(303) 666-8950
THANG, Biak	2321 W. Eisenhower Blvd.	Loveland	CO	80537	(970) 669-1342
MAUNG, Khan	1040 East Stewart Avenue	Peterson AFB	CO	80914	(719) 556-7765
BIK, Bawi Siang	37500 E. US Highway 40	Steamboat Springs	CO	80487	(970) 879-3766
LIN, Naing	771 Thornton Parkway	Thornton	CO	80229	(303) 280-2245
CEU, Van Lian	5126 Community Center Dr.	USAF Academy	CO	80840	(719) 333-2025
AWI, Mang	2131 North Frontage Road	West Vail	CO	81657	(970) 476-3561
KO, Ko	1535 Main Street	Windsor	CO	80550	(970) 674-1177
AUNG, Nay Lin	255 W Main Street	Avon	CT	06001	(860) 678-1322
SAI, Sai Sheing	1060 west Main Street	Branford	CT	06405	(203) 481-9671
WIN, SAN DA	121 Farmington Ave	Bristol	CT	06010	(860) 582-2876
ZHANG, Jiwen	1021 South Main Street	Cheshire	CT	06410	(203) 272-2266
DOLMA, Chozo	23 Killingworth Turnpike	Clinton	CT	06413	(860) 664-8043
LIAN, Thomas Zo	70 Wauregan Road	Danielson	CT	06239	(860) 779-7223
JIANG, Wu	656 New Haven Ave	Derby	CT	06418	(203) 734-9283
LATT, Myo Minn	135 West Road	Ellington	CT	06029	(860) 896-0457

AFC Food Service Counters  
Franchisee List  
as of March 31, 2024

Franchisee Name	Address	City	State	Zip	Phone
DOH, Ktaw	65 Palomba Drive	Enfield	CT	06082	(860) 749-5514
PHONE, Paul	Bldg 484 Sub Base	Groton	CT	06349	(860) 694-2244
CHEN, Wen An	995 Poquonnock Road	Groton	CT	06340	(860) 449-1229
PHYU, Lei Win	830 Boston Post Road	Guilford	CT	06437	(203) 453-3267
THEIN, Mai Khun	234 Tolland Turnpike	Manchester	CT	06042	(860) 645-7140
THARCHIN, Tsewang	141 B Storrs Road	Mansfield	CT	06250	(860) 456-8051
CHEZIN, Lobsang	1220 Storrs Road	Mansfield	CT	06268	(860) 553-6555
QUAN, Jingnan	7 East Hampton Road	Marlborough	CT	06447	(860) 467-9136
TUN, Thet	533 South Broad Street	Meriden	CT	06450	(203) 237-5244
NAING, Moe Mu Yar	855 Washington St	Middletown	CT	06457	(860) 740-7700
Ha, Kyaw Thi	150 Boston Post Road	Milford	CT	06460	(203) 453-3267
THEINT, Su Hnin	535 Monroe Tpke	Monroe	CT	06468	(203) 452-9002
YAWONGTSANG, Tenzin	79 Stonington Road	Mystic	CT	06355	(860) 536-5813
TSOMO, Dawa	1289 Foxon Road	N Branford	CT	06471	(203) 488-4953
ZHANG, Jiwen	345 Washington Ave	N Haven	CT	06473	(203) 234-2103
AYE, Tun	85 Bridge Street	Naugatuck	CT	06770	(203) 729-4124
NAING, Aung Myo	20 York Street	New Haven	CT	06511	(617) 980-0284
NAING, Aung Myo	1450 Chapel St	New Haven	CT	06511	(203) 789-3000
LWIN, Kyaw	1 Kent Road	New Milford	CT	06776	(860) 355-2628
NAING, Shwe Bhone Myat	2986 Berlin Turnpike	Newington	CT	06111	(860) 665-8342
THEINT, Su Hnin	6 Queen st.	Newton	CT	06470	(203) 270-7838
JAMPA, Phuntsok	224 Salem Turnpike	Norwich	CT	06360	(860) 886-9996
YAWONGTSANG, Tenzin	90 Halls Road	Old Lyme	CT	06371	(860) 434-1433
TUN, Tin Shwe	28 Spencer Plain Road	Old Saybrook	CT	06475	(413) 504-6058
VIMALA, NFN	300 Oxford Road	Oxford	CT	06478	(203) 463-7990
JINPA, Lobsang	83 Lathrop Road	Plainfield	CT	06374	(860) 564-1888
WANGDU, Michael	275 New Britain Ave	Plainville	CT	06062	(860) 747-5724
ZIN, Saw Ba Oo Gyi	1040 Elm Street	Rocky Hill	CT	06067	(413) 504-6044
SOE, Hein Zaw	401 Bridgeport Ave	Shelton	CT	06484	(413) 504-6090
AUNG, Nay Lin	1313 Hopmeadow St.	Simsbury	CT	06070	(860) 392-3961
NAING, Shwe Bhone Myat	410 Queen Street	Southington	CT	06489	(860) 621-2128
LIN, WAI Y	87 W Stafford Road RT.190	Stafford Springs	CT	06076	(860) 684-5029
SOE, Hein Zaw	355 Hawley Lane	Stratford	CT	06614	(203) 386-0576
ZEREN, Silang	33 Fieldstone Commons	Tolland	CT	06084	(860) 872-0304
TSAI, Yaohuo	504 Winsted Road	Torrington	CT	06790	(860) 489-0246
GOKUL, FNU	990 Torrington Street	Torrington	CT	06790	(860) 496-5051
WANG, Xiu Ming	772 N. Main St	West Hartford	CT	06117	(860) 236-1505
NAING, Moe Mu Yar	675 Poquonnock Ave	Windsor	CT	06095	(860) 687-1411
KODA, Zachery	185 Chappie James Blvd.	Boiling AFB	DC	20032	(202) 767-4695
HTUT, Maung Than	1900 Pennsylvania Ave NW	Washington	DC	20421	(202) 623-7000
HTUT, Maung Than	700 19th Street NW	Washington	DC	20431	(202) 623-7000
MOE, Aung Soe	801 7th Street NW	Washington	DC	20001	(202) 789-5345
LI, Xiaoping	401 M St SE	Washington	DC	20003	(202) 554-0164
LIAN, Saw	1631 Kalorama Rd NW	Washington	DC	20009	(202) 986-1415
AUNG, Tun Naing	1201 First St. NE	Washington	DC	20002	(202) 589-0351
VUM, Tual	111 Michigan Ave NW 300	Washington	DC	20010	(202) 476-5000
AUNG, Nhaine Htet	268 Galaxy Street	Dover AFB	DE	19902	(302) 677-3919
MUNG, Kim Hau Tawi	503 E Altamonte Drive	Altamonte Springs	FL	32701	(321) 207-7128
CIN, Pau Lam	1005 N State Rd 434 Ste 1020	Altamonte Springs	FL	32701	(800) 242-1227
THANG, Mary Cing Deih	2294 Mayport Rd #51 Bldg.	Atlantic beach	FL	32233	(904) 249-7524
KEUH, Thang	2770 W Bay Dr.	Belleair Bluffs	FL	33770	(727) 586-0213
CHAIPIA, Monyakarn	10301 SE US Highway 441	Belleview	FL	34420	(352) 245-4115
LIAN, Khup Vang	8210 Glades Rd	Boca Raton	FL	33434	(561) 852-8172
KHAM, Hau Cin	4966 Le Chalet Blvd	Boynton Beach	FL	33436-1406	(561) 369-3500
SANG, Hnin	11255 Causeway Blvd.	Brandon	FL	33511	(813) 655-8911

AFC Food Service Counters  
Franchisee List  
as of March 31, 2024

Franchisee Name	Address	City	State	Zip	Phone
HRAM, Mang Nei	1220 Kingsway Rd	Brandon	FL	33510	(813) 654-7689
ONG, Nai C	939 W Brandon Blvd	Brandon	FL	33511	(813) 684-6562
LIAN, Van Sui	19390 Cortez Blvd.	Brooksville	FL	34601-3041	(352) 796-2926
ZAW, Danny Than	29 Blake Boulevard	Celebration	FL	34747	(321) 939-3100
KHUP, Vincent Sai	5000 E. Bay Dr.	Clearwater	FL	33764	(727) 538-8500
HRE, Jonathan Tin	525 S. Belcher Rd.	Clearwater	FL	33764	(727) 791-0138
LIAN, Joshua Van	1295 Missouri Ave.	Clearwater	FL	33756	(727) 442-8606
LIAN, Joshua Van	200 Island Way	Clearwater	FL	33767	(727) 298-8618
SANG, Thang Sian	17445 US Hwy 192	Clermont	FL	34714	(352) 243-0529
Soe, Khaing Aye Aye	250 Citrus Tower Blvd.	Clermont	FL	34711	(352) 241-6670
SILVA, Jinda	1720 East Highway 50	Clermont	FL	34711	(800) 242-1227
MAUNG, Kyin Sein	4351 S. Highway 27	Clermont	FL	34711	(352) 394-4437
MAUNG, Kyin Sein	2430 US Highway 27	Clermont	FL	34714	(352) 243-5279
TUN, Khin Ohanmar	13900 County Route 455	Clermont	FL	34711	(407) 877-1545
LIAN, Hang Muan	2301 State Road 524, Suite 150	Cocoa	FL	32926	(321) 636-2583
PU, Kam	7325 N. US Hwy 1	Cocoa	FL	32927-5006	(321) 635-8560
ME, Me	2067 North Atlantic Ave	Cocoa Beach	FL	32931	(321) 783-3214
THANG, Ngo Sawm	5665 North Atlantic Ave	Cocoa Beach	FL	32931	(321) 783-1014
LAHTAW, GUM SENG	2343 CRAWFORDVILLE HIGHWAY	Crawfordville	FL	32327	(850) 926-4072
SANG, Zam Sian	2250 South Ferdon Blvd	Crestview	FL	32536	(850) 682-0942
PAU, Zen Suan	1355 Fredon Blvd. N	Crestview	FL	32536	(850) 682-0820
HRUAI TLUANG, Jerry Biak	6760 W. Gulf to Lake Hwy	Crystal River	FL	34429	(352) 795-4679
LIMBU, Suresh Kumar Samsohang	402 E. Dania Beach Blvd.	Dania Beach	FL	33004	(954) 920-4289
THAWNG, Steven	2424 Sand Mine	Davenport	FL	33897	(863) 420-6455
KHAI, Suan Sian	1200 Champions Dr	Davenport	FL	33897	(863) 422-0070
ZA HRE, Vung Lian Htay	8301 Champions Gate Blvd.	Davenport	FL	33896-8389	(407) 390-1315
LING, Lian	7800 Lake Wilson Rd	Davenport	FL	33896	(863) 420-3152
LING, Lian	6075 Hwy 17-92 N	Davenport	FL	33896	(863) 424-1805
LWE, Thin	299 E International Speedway Blvd	Deland	FL	32724	(386) 734-7112
LWE, Thin	2431 S. Woodland Blvd	Deland	FL	32720	(386) 740-0014
HTIKE, Htiike Aung	7375 W. Atlantic Ave	Delray Beach	FL	33446	(561) 498-2221
MOUH, Mouh	915 Doyle Rd	Deltona	FL	32725	(386) 575-0521
MOUH, Mouh	605 Courtland Blvd	Deltona	FL	32738	(407) 321-5172
MOUH, Mouh	2783 Elkcam Blvd	Deltona	FL	32738	(386) 789-1543
MOUH, Mouh	2100 Saxon Blvd.	Deltona	FL	32725	(386) 532-8584
TOHING, Kam Khan Kim	725 Grand Blvd.	Destin	FL	32550	(850) 622-2326
CIN, Vum Za	4425 Commons Dr. E	Destin	FL	32541	(850) 837-9094
KHUP, Paul	902 Curlew Rd.	Dunedin	FL	34698	(727) 736-9047
LUAI, George Kio	1491 Main St.	Dunedin	FL	34698	(727) 736-9284
SANG, Mal Sawm	11352 North William Street, Suite 4	Dunnellon	FL	34432	(352) 522-1988
MUNG, Thang Sian	1511 Memorial Trail, Suite 1	Eglin AFB	FL	32542	(850) 882-3172
MYERS, Paz Lamban	24420 FL- 44	Eustis	FL	32736	(352) 357-2024
HATZAW, Thawnglang	1950 Highway 19	Eustis	FL	32726	(352) 357-4989
HATZAW, Thawnglang	2840 David Walker Dr.	Eustis	FL	32726	(352) 357-6948
PAUZO, Pasion	4800 First Coast Hwy	Fernandina Beach	FL	32034	(904) 491-1213
CIN, PIANG LAM	255 SE 3rd Ave.	Fort Lauderdale	FL	33301	(954) 728-8330
NAING, Soe	1600 S. Andrews Ave.	Fort Lauderdale	FL	33316	(954) 355-5661
Alexander, Carol	16950 SAN CARLOS BLVD	Fort Myers	FL	33908	(239) 466-3267
MYINT, Moe Saw	4791 Estero Blvd	Fort Myers Beach	FL	33931	(239) 463-0378
MUNG, Thang Sian	610 Eglin Pkwy NE	Fort Walton Beach	FL	32547	(850) 864-4440
LUN, Uap Khan	421 Mary Esther Cut Off NW	Fort Walton Beach	FL	32548	(850) 301-0033
LUN, Uap Khan	251 Miracle Strip Parkway SE	Fort Walton Beach	FL	32548	(850) 796-1841
LUN, Man Don	16400 US Highway 331South	Freeport	FL	32439	(850) 835-2296
WIN, Tun Tun	NW 1200 76th Blvd	Gainesville	FL	32606	(352) 332-0661
YU, Yue Bo	7975 State Road 50	Groveland	FL	34736	(352) 429-0233

AFC Food Service Counters  
Franchisee List  
as of March 31, 2024

Franchisee Name	Address	City	State	Zip	Phone
JAKOP, Tony	852 Gulf Breeze Parkway	Gulf Breeze	FL	32561	(850) 932-0113
SAO, Viseth	1430 Tiger Park Lane	Gulf Breeze	FL	32563	(850) 932-5194
PUM, Mang Za	1400 E. Hallandale Beach Blvd.	Hallandale Beach	FL	33009	(954) 454-6440
HRUAI TLUANG, Jerry Biak	2685 N. Forest Ridge Rd.	Hernando	FL	34442	(352) 527-6550
THANG, Van Lahnun	4701 Sunray	Holiday	FL	34690	(727) 944-3551
MYINT, Aye Aye	1700 Sheridan St.	Hollywood	FL	33020	(954) 927-5680
KHUP, Pau	3942 S. Suncoast Blvd.	Homosassa	FL	34448-2601	(352) 621-0884
KHUP, Pau	9525 S. Suncoast Blvd	Homosassa	FL	34446	(352) 382-1149
MOE, Khaing	14851 SR 52	Hudson	FL	34669	(727) 856-0293
MAR, The	13752 Little Rd.	Hudson	FL	34667	(727) 861-1990
MAR, The	12101 Little Road	Hudson	FL	34667	(727) 819-2013
SAO, Visa	Building # 91013	Hurlburt Field AFB	FL	32544	(850) 881-2138
SANG, Hau Tun	700 N Miramar Ave	Indialantic	FL	32903	(321) 953-6709
NUAM, Lun Ngaih	11291 US Hwy 98 E	Inlet Beach	FL	32461	(850) 213-7031
SANG, Lal Ring	1012 West Main Street	Inverness	FL	34450	(352) 341-2581
CHYAWM, La Ring	12541 Yellow Bluff Road	Jackson-Duval	FL	32226	(904) 757-1304
CHEN, Yasu	450 State Road 13, # 109	Jacksonville	FL	32259	(904) 230-3201
SHARE, HtuSam	2845 County Rd 210 W	Jacksonville	FL	32259	(904) 230-3939
MUAN, Thang Sian	7117 Merrill Road	Jacksonville	FL	32277	(904) 744-7983
MANG, Sing Cin	10500 San Jose Blvd.	Jacksonville	FL	32257	(904) 288-6660
MANG, Sing Cin	11025 ETOWN PKWY, UNIT 100	JACKSONVILLE	FL	32256	(904) 944-8971
TUTTLE, Orathai	6001 Argyle Forest Blvd	Jacksonville	FL	32244	(904) 908-5906
THANG, Pum Lam	1100 Dun Ave	Jacksonville	FL	32218	(904) 751-1445
HUANG, Shuling	9964 Old Baymeadows Rd.	Jacksonville	FL	32256	(904) 641-2435
THOMAS, May	7749 Normandy Blvd.	Jacksonville	FL	32221	(904) 781-1952
PARK, Kui Suk	13820 Old St. Augustine Rd	Jacksonville	FL	32258	(904) 262-5415
LAHKUM, Naw Mun	7628 103Rd Street	Jacksonville	FL	32210	(904) 777-3122
LAHKUM, Naw Mun	4495 Roosevelt Blvd. Ste. E-1	Jacksonville	FL	32210	(904) 388-0512
LIAN, Pau Khan	731 Duval Station Rd	Jacksonville	FL	32218-0804	(904) 696-3093
LIAN, Pau Khan	2771 Monument Rd	Jacksonville	FL	32225	(904) 564-2448
KHAI, Tuan Suan	14444 Beach Blvd. Ste 6	Jacksonville	FL	32250	(904) 223-0286
SAN, Kyaw	2033 Riverside Ave.	Jacksonville	FL	32204	(904) 381-8610
WIN, Tun	4413 Town Center Pkwy Suite 100	Jacksonville	FL	32246	(904) 564-3632
PENG, Thla	1701 ALLEGHENY AVE	Jacksonville	FL	32212	(904) 542-5311
VUNG, Cing Khat	9100 Merrill Rd	Jacksonville	FL	32225	(904) 745-4260
PUI, Te	9518 Argyle Forest Blvd.	Jacksonville	FL	32222	(904) 317-5755
Lin, Khin	12620 Beach Blvd.	Jacksonville	FL	32246	(904) 564-3580
THANG, John	4320 Deerwood Lake Pkwy	Jacksonville	FL	32216	(904) 620-0599
SHWE, Myo Win	11250-4 Old Saint Augustine Rd	Jacksonville	FL	32257	(904) 262-5474
SHWE, Myo Win	10920 Baymeadows Rd	Jacksonville	FL	32256	(904) 538-3851
JENSEN, Moses	2039 Hendricks Ave Ste 325	Jacksonville	FL	32207	(561) 226-9815
NGAIH, Dim Sian	4765 Hodges Blvd	Jacksonville	FL	32224	(904) 223-0554
FENG, Dian	2750 Racetrack Rd	Jacksonville	FL	32259	(904) 230-3970
THANG, Mary Cing Deih	11406 San Jose Blvd	Jacksonville	FL	32223	(904) 262-5258
REM, Thang	5858 Atlantic Blvd.	Jacksonville	FL	32207-2223	(904) 721-3410
LIAN, Thawng Tha	408 Beach Boulevard	Jacksonville Beach	FL	32250	(904) 249-1072
WIN, Tun	670 Marsh Landing Pkwy.	Jacksonville Beach	FL	32250	(904) 273-7600
THAWNG, Do Lian	2875 University Blvd.	Jacksonville	FL	32217	(904) 419-4807
MIN, Ye	101499 OVERSEAS HWY	KEY LARGO	FL	33037-4553	(305) 451-5338
LIAN, Angela Ni Siang	2625 Simpson Road	Kissimmee	FL	34744	(407) 348-7686
NYUNT, Thida	2338 E Irlo Bronson Memorial Hwy	Kissimmee	FL	34744	(407) 846-6141
BATISTA, Janice Angelica	3040 Dyer Blvd	Kissimmee	FL	34741	(407) 933-0172
ZA HRE, Vung Lian Htay	14928 E. Orange Lake Blvd.	Kissimmee	FL	34747	(407) 239-4989
LIAN, Sina	3839 Pleasant Hill Road	Kissimmee	FL	34746	(407) 343-7575
HTIKE, Than	1725 FUTURE WAY	Kissimmee	FL	34747	(321) 939-1258

AFC Food Service Counters  
Franchisee List  
as of March 31, 2024

Franchisee Name	Address	City	State	Zip	Phone
FERNANDEZ, Judith M.	3221 Vineland Rd	Kissimmee	FL	34746	(407) 239-1852
MUNG, Kham Nun	1910 N. John Young Pkwy	Kissimmee	FL	34741	(407) 933-0367
MUNG, Kham Nun	3343 South Orange Blossom Trail	Kissimmee	FL	34746	(407) 846-1264
KHAI, Lang Khai	1120 Bichara Blvd	Lady Lake	FL	32159	(352) 750-2400
KHAI, Lang Khai	1566 Bella Cruz Dr.	Lady Lake	FL	32159	(352) 751-4346
SU, Thiri	255 North West Commons Loop	Lake City	FL	32055	(386) 719-5446
FANAI, Lalpui Thanga	23965 U.S. Highway 27	LAKE WALES	FL	33859	(863) 676-1215
KHAING, Soe Min	102 State Rd 60E.	Lake Wales	FL	33853	(863) 676-0511
HLATHAUNG, Amy	4747 S Florida Ave	Lakeland	FL	33813	(863) 680-5229
LYAN, Michael	2125 E CR 540	Lakeland	FL	33813	(863) 607-4522
MAWII, Lily Neikip	2121 Collier Parkway	Land O Lakes	FL	34639	(813) 948-9819
MAUNG, Nyint Win	7830 Land O Lakes Blvd.	Land O Lakes	FL	34638	(813) 996-3391
HRE, Jonathan Tin	3825 East Bay Drive	Largo	FL	33771	(727) 538-8630
KHUP, Paul	857 W. Bay Dr.	Largo	FL	33770-3221	(727) 518-7747
MANG, Nem Ngaih	10411 Ulmerton Rd.	Largo	FL	33771	(727) 588-1285
MANG, Nem Ngaih	10500 Ulmerton Road	Largo	FL	33771	(727) 518-0098
OO, K Khine	12022 Indian Rocks Road	Largo	FL	33774	(727) 595-8192
OO, K Khine	13031 Walsingham Rd.	Largo	FL	33774	(727) 517-0847
LIAN, Khan Suan	717 N 14th St.	Leesburg	FL	34748	(352) 787-4176
THANG, Vial Saluai	10601 US 441, Suite D	Leesburg	FL	34788	(352) 323-1420
THWE, Mi Mi	27615 U.S Highway 27	Leesburg	FL	34748	(352) 787-0440
TAN, Andrew Win	2215 Ohio Avenue N	Live Oak	FL	32064	(386) 339-6378
CING, Ning Ngaih Khawm	3883 Wekiva springs Rd	Longwood	FL	32779	(407) 788-1804
DIM, Gin Lam	2310 South Highway 77	Lynn Haven	FL	32444	(850) 271-6180
THANG, Cin Suan	9570 SW 62nd. Avenue Road	Marion	FL	34476	(352) 351-2815
HLAING, Nan Moe Sandar	1411 S Babcock St	Melbourne	FL	32901	(321) 727-8085
HLAING, Nan Moe Sandar	3200 Lake Washington Road	Melbourne	FL	32934	(321) 426-2208
EN, Gin Khan	7777 N. Wickham Rd	Melbourne	FL	32940	(321) 253-6142
THAWNG, JC	4100 N. Wickham Rd	Melbourne	FL	32935	(321) 242-2678
ZUM, Thawng Mun	3830 S. Hwy A1a	Melbourne Beach	FL	32951	(321) 725-3305
PU, Kam	1850 North Courtenay	Merritt Island	FL	32953	(321) 986-6260
THUAM, Merry	125 E. Merritt Island Causeway	Merritt Island	FL	32952	(321) 452-0288
NYUNT, Peter	1611 NW 12th Avenue	Miami	FL	33136	(305) 585-8159
NYUNT, Peter	1611 NW 12th Avenue, DTC 143	Miami	FL	33136	(305) 525-8159
NGUYEN, Long Kim	5854 Dogwood Dr	Milton	FL	32570	(850) 626-2412
LI, Jinda	1685 N. Hancock Rd	Minneola	FL	34711	(352) 241-9002
LYAN, Michael	2040 Shepherd Rd.	Mulberry	FL	33860	(863) 644-4166
NU, Cing	8244 Navarre Parkway	Navarre	FL	32566	(850) 515-0999
NU, Cing	10040 Navarre Pkwy	Navarre	FL	32566-3013	(850) 936-4023
MAWI, Sui Dim	580 Atlantic Boulevard	Neptune Beach	FL	32266-4024	(904) 242-5197
SOE, Myint	630 Atlantic Blvd.	Neptune Beach	FL	32266-4026	(904) 241-0944
ZUNG, Ngun	5127 US HWY 19 South	New Port Richey	FL	34652	(727) 848-6521
WIN, Khin Yu Yu	9850 Little Rd	New Port Richey	FL	34654	(727) 862-5866
WIN, Khin Yu Yu	1346 Seven Springs Blvd	New Port Richey	FL	34655	(727) 372-7400
PHUE, Spea	11400 Ridge Rd.	New Port Richey	FL	34654	(727) 848-4185
SAN , Myo	5324 Little Rd.	New Port Richey	FL	34655	(727) 375-5377
MOUH, Mouh	709 E. 3rd Ave.	New Smyrna Beach	FL	32169	(386) 428-6465
SANG, Zam Sian	1520 John Sims Pky East	Niceville	FL	32578	(850) 678-3002
BETANCOURT, Antonio	5400 S.W. College Rd.	Ocala	FL	34474	(352) 873-1936
BETANCOURT, Antonio	8075 SW Highway 200	Ocala	FL	34481	(352) 291-0296
BETANCOURT, Antonio	2765 NW 49th Avenue	Ocala	FL	34482	(352) 622-1318
LIAN, Khan Suan	303 S.E. 17th Street	Ocala	FL	34471	(352) 368-2855
HUAI, Lun Man	2575 SW 42nd Street	Ocala	FL	34471	(352) 237-3748
KIM, Kham Sian	7578 SE Maricamp Rd	Ocala	FL	34472	(352) 687-8200
PABAWI, Kinglone	3450 E. Silver Springs Blvd.	Ocala	FL	34470	(352) 671-3443

AFC Food Service Counters  
Franchisee List  
as of March 31, 2024

Franchisee Name	Address	City	State	Zip	Phone
PABAWI, Kinglone	3035 SE Maricamp Road	Ocala	FL	34471	(352) 351-2355
VUNG, Don Lian	2655 NE 35th Street	Ocala	FL	34479	(352) 620-1451
KYAW, MICHAEL AUNG	301 West Road	Ocoee	FL	34761	(407) 654-1356
VAN HMUN MAWI, Joseph C.	8863 W. Colonial Dr.	Ocoee	FL	34761	(407) 299-4550
VAN HMUN MAWI, Joseph C.	1720 E. Silver Star Rd	Ocoee	FL	34761	(407) 522-1808
MAUNG, Kyin Sein	2600 Maguire Blvd	Ocoee	FL	34761	(407) 656-9343
TUN, Saw Tun	2175 Sembler Dr.	Odessa	FL	33556	(813) 926-3660
MAR, The	13589 State Rd 54	Odessa	FL	33556	(813) 926-1182
HTOO, Hser Tha You	2556 Enterprise Rd	Orange City	FL	32763	(386) 774-8255
CIN, Gin Thawn	16825 E Colonial Dr	Orlando	FL	32820-0858	(407) 568-0858
PYONE, Hnin Ei	3400 Avalon Park E. Blvd	Orlando	FL	32828	(407) 277-1043
KYAW, MICHAEL AUNG	5265 John Young Pkwy	Orlando	FL	32839	(407) 816-8335
OO, Khun Win	12231 E Colonia Dr.	Orlando	FL	32826	(407) 482-1244
LIAN, Angela Ni Siang	4042 S. Semoran Blvd.	Orlando	FL	32822	(407) 277-3871
SAW, George	1921 S. Alafaya Trail	Orlando	FL	32828	(407) 277-3117
SAW, George	409 S. Chickasaw Trail	Orlando	FL	32825	(407) 277-0635
CRUZ, Maria	10615 Narcoossee Rd.	Orlando	FL	32832	(407) 277-1089
KHUP, Thang En	1414 Kuhl Ave.	Orlando	FL	32806	(321) 841-3040
KHUP, Thang En	83 West Miller Street	Orlando	FL	32806	(321) 841-1614
SHIN, Michael Myint	601 E. Rollins Street	Orlando	FL	32803	(407) 303-1793
KYAW, Moe	2335 N. ORANGE BLOSSOM TRL	ORLANDO	FL	32804	(689) 206-8880
HEYL, Chadarat Khruewan	11286 DOWDEN ROAD	ORLANDO	FL	32832	(800) 242-1227
SIT, Hmun Hmun	2435 S. Hiwassee Rd.	Orlando	FL	32835	(407) 294-7104
NAING, Win	10250 Curry Ford Rd.	Orlando	FL	32825	(407) 207-6107
SWE, Myat	6485 S. Chickasaw Trail	Orlando	FL	32829	(407) 277-8095
THU, Aung Kyaw	1478 W. Granada Blvd.	Ormond Beach	FL	32174	(386) 673-5380
CHUAN, Windy Lai Hma	220 N. Nova Road	Ormond Beach	FL	32174	(386) 672-5724
SAY, Henry	3750 Roscommon Dr.	Ormond Beach	FL	32174	(386) 615-8885
LIAN, Ram	1258 Ocean Shore Blvd.	Ormond Beach	FL	32176	(386) 441-9839
THAL, Ngai Mang	10 E Granada Blvd.	Ormond Beach	FL	32176	(386) 672-8643
KAP, Tun Cin	4739 Highway 90	Pace	FL	32571-1403	(850) 994-4816
TLING, Tha	5580 Woodbine Rd.	Pace	FL	32571	(850) 994-6552
TUN, Kyaw Khine	171 Town and Country Dr.	Palatka	FL	32177	(386) 312-8345
HTWE, San Dar	1150 Malabar Rd SE	Palm Bay	FL	32907	(321) 727-3654
SWE, Myint Myint	4711 Babcock St NE	Palm Bay	FL	32905	(321) 724-4724
BAWI, Lang	3450 Bayside Lakes Blvd SE	Palm Bay	FL	32909	(321) 725-2420
THAN, Hrang	30535 US Hwy 19 N	Palm Harbor	FL	34684	(727) 787-8802
LIAN, David Thar	33343 US Highway 19 N	Palm Harbor	FL	34684	(727) 789-1920
LIAN, David Thar	35439 US 19 North	Palm Harbor	FL	34684	(727) 771-0892
CHO, Cindy	36301 E. Lake Rd.	Palm Harbor	FL	34685	(727) 785-5521
TIN, Garrett San-Thein	500 East Lake Rd.	Palm Harbor	FL	34685	(727) 784-4180
MANGNGAIH, Nang	4601 Lindsey Crossing	Panama City	FL	32404-9325	(850) 772-6111
LEWIS, James Tin	650 W. 23rd St.	Panama City	FL	32405	(850) 747-9780
MANGNGAIH, Nang	2419 Thomas Drive	Panama City Beach	FL	32408	(850) 236-4415
ULUNG, Nawsan	11240 Panama City Beach Pkwy	Panama City Beach	FL	32407	(850) 236-4515
LIAN, Thang Deih	23026 Panama City Beach Parkway	Panama City Beach	FL	32413	(850) 233-4392
PINE, Calvin Thuring	11635 MOCCASIN WALLOW ROAD	Parrish	FL	34219	(941) 981-6157
ME, Me	1225 S Patrick Dr.	Patrick AFB	FL	32925	(321) 494-5841
NU, Cing	5800 West Highway 98	Pensacola	FL	32507	(850) 452-6880
KHAM, Do Khan	2180 West Nine Mile Rd.	Pensacola	FL	32534	(850) 473-5020
NGUYEN, Long Kim	8684 Beulah Road	Pensacola	FL	32526	(850) 944-8833
LIN, Gin Sawm	13390 Perdido Key Drive	Pensacola	FL	32507	(850) 492-5090
KAP, Tun Cin	9251 University Parkway	Pensacola	FL	32514	(850) 473-5000
MUNG, LUAN KHEN	5998 Mobile Highway	Pensacola	FL	32526	(850) 941-8101
TLING, Tha	5055 North 9th Street	Pensacola	FL	32504	(850) 484-9646

AFC Food Service Counters  
Franchisee List  
as of March 31, 2024

Franchisee Name	Address	City	State	Zip	Phone
LIAN, Mang Kap	1100 E. Cervantes St.	Pensacola	FL	32501	(850) 434-3469
MYINT, John Hla	4701 Park Blvd.	Pinellas Park	FL	33781	(727) 546-4870
KHAI, Mang Khan	7333 Park Blvd	Pinellas Park	FL	33781	(727) 546-5866
Oo, Hnin Hay Man	841 Cypress Pkwy	Poinciana	FL	34759-3408	(321) 697-5487
MYAING, Yin Yin	201 E Sample Rd	Pompano Beach	FL	33064	(954) 941-8300
RUAL, Than	3777 Palm Valley Rd.	Ponte Vedra	FL	32082	(904) 273-6565
MANG, Simon Khai Thawn	250 Pine Lake Dr	Ponte Vedra	FL	32081	(904) 826-3356
ROBIN, Con Lianbik	3863 US Hwy 301 S.	Riverview	FL	33578	(813) 626-7104
PHOME, Mark	13154 U.S. Hwy 301 S.	Riverview	FL	33578	(813) 741-0693
PHOME, Mark	11460 US Highway 301 S	Riverview	FL	33578	(813) 671-9121
MAWI, Za Hlei	11109 Winthrop Market Street	Riverview	FL	33578	(813) 661-3286
TUANG, Thang Sawm	5380 Stadium Pkwy.	Rockledge	FL	32955	(321) 433-0936
TUANG, Thang Sawm	1880 US Highway 1 South	Rockledge	FL	32955	(800) 242-1227
EN, Gin Khan	3820 Murrell Rd.	Rockledge	FL	32955	(321) 636-0282
THANG, Sui Bik	155 Bartram Market Drive	Saint Johns	FL	32259	(904) 260-6565
CUNG, Ting Peng	835 CR 210 W	Saint Johns	FL	32259	(904) 824-3334
MANG, Lal Hrin	5295 34th Street South	Saint Petersburg	FL	33711	(727) 864-0079
CING, Hau Lam	4181 E SR 46	SANFORD	FL	32771	(407) 430-4036
TOHING, Kam Khan Kim	110 Water color way	Santa Rosa Beach	FL	32459	(850) 534-4565
TOHING, Kam Khan Kim	2038 US Highway 98 West	Santa Rosa Beach	FL	32459	(850) 267-0582
MUNG, Suan Khen	270 E. Eau Gallie Blvd.	Satellite Beach	FL	32937	3217732915
THAWNG, JC	1024 Highway A1A, Suite 120	Satellite Beach	FL	32937	(321) 773-0836
HRAM, Mang Nei	11782 E Dr MLK Jr Blvd	Seffner	FL	33584	(813) 684-6029
LIANA, Zir S	7880 113th Street	Seminole	FL	33772	(727) 393-9680
LIAN, Joshua Van	10801 Starkey Rd Ste. 200	Seminole	FL	33777	(727) 397-4223
OO, K Khine	9201 Oakhurst	Seminole	FL	33776	(727) 593-7794
ZAM, Hram Nei	160 Mariner	Spring Hill	FL	34609	(352) 688-0977
ZAM, Hram Nei	4158 Mariner Blvd	Spring Hill	FL	34609	(352) 688-0161
BAT, Kawl	14371 Spring Hill Dr.	Spring Hill	FL	34609-8199	(352) 666-2000
BAT, Kawl	13455 County Line Rd	Spring Hill	FL	34609	(352) 797-8027
TIN, Nyunt	4365 Commercial Way	Spring Hill	FL	34606	(352) 597-8500
THANG, Van Lalnun	1400 Pinehurst Drive	Spring Hill	FL	34606-4553	(352) 683-6040
SAN, Maw	4401 13th St.	St. Cloud	FL	34769	(407) 498-3070
SAN, Maw	1951 S. Narcoossee rd	St. Cloud	FL	34771	(407) 892-0595
NYUNT, Thida	3372 Canoe Creek Road	St. Cloud	FL	34772	(407) 957-8888
MIN, Pyae Phy	205 Rivertown Shops Drive	St. Johns	FL	32259	(904) 230-1347
KHUP, Vincent Sai	250 3rd St. South	St. Petersburg	FL	33701	(727) 822-1125
KHAI, Mang Khan	5577 Park St. North	St. Petersburg	FL	33709	(727) 545-8488
KHAI, Mang Khan	3900 66th Street North	St. Petersburg	FL	33709	(727) 343-2879
SUUN, Dongh Kheen	725 1st Ave South	St. Petersburg	FL	33701	(727) 822-1053
MYO, Hla	200 SE Hospital Ave 14 City	Stuart State	FL	34994	(772) 287-5200
MUNG, Khen Lian	6753 Thomasville Rd	Tallahassee	FL	32312	(850) 668-5702
LAHTAW, GUM SENG	2111 NE Capital Circle	Tallahassee	FL	32308	(850) 523-9851
LAHTAW, GUM SENG	8462 BANNERMAN BLVD.	TALLAHASSEE	FL	32312-9118	(448) 206-6622
ZHANG, Yan	3122 Mahan Dr.	Tallahassee	FL	32308	(850) 402-0141
KHAI, Dal Sawm	800 Ocala Rd	Tallahassee	FL	32304	(850) 575-3929
GO, Vungh Kap	5032 Capital Circle S.W	Tallahassee	FL	32305	(850) 878-1133
GO, Vungh Kap	3551 Blairstone Rd	Tallahassee	FL	32301	(850) 219-1150
GO, Vungh Kap	101 N. Blairstone Rd.	Tallahassee	FL	32301	(850) 219-6211
OO, Htun Ni	3521 Thomasville Rd	Tallahassee	FL	32309-7134	(850) 893-0137
SIE, S. Be	1700 N Monroe St.	Tallahassee	FL	32303	(850) 222-1975
SIE, S. Be	5678 Capital Circle NW	Tallahassee	FL	32303	(850) 562-0088
KAM, Thang Deih	625 W. Gaines St.	Tallahassee	FL	32301	(850) 577-1915
GREGORIO, Kaw Kaw	6615 Mahan Dr.	Tallahassee	FL	32308	(850) 878-4899
FUNG, Mary	6001 N Nebraska Ave	Tampa	FL	33604	8132387720

AFC Food Service Counters  
Franchisee List  
as of March 31, 2024

Franchisee Name	Address	City	State	Zip	Phone
RUANG, Tial N.	8701 West Hillsborough Avenue	Tampa	FL	33615	(727) 785-7473
THANG, Za Ni	2724 W Hillsborough Ave.	Tampa	FL	33614-6053	(813) 673-8900
THANG, Za Ni	13178 North Dale Mabry Hwy	Tampa	FL	33618	(813) 961-0273
LEONG, Sarah L	2403 West Azeele Street	Tampa	FL	33609	(813) 250-0129
LEONG, Sarah L	1105 E. Twiggs St	Tampa	FL	33602	(813) 221-1641
LEONG, Sarah L	4900 W. Kennedy Blvd	Tampa	FL	33609	(813) 281-0769
THUAI, Cecilia Ngun Hle	19034 Bruce B. Downs Blvd.	Tampa	FL	33647	(813) 631-1911
THEIN, Ni Ni	15151 N. Dale Mabry Hwy	Tampa	FL	33618	(813) 265-3288
KHIN, Henry	13000 Bruce B Downs Blvd	Tampa	FL	33612	(813) 972-2000
PAR, Van Nei Sui	10015 N. Dale Mabry Hwy	Tampa	FL	33618-4409	(813) 961-0075
LWIN, Aung Soe	2908 N. Boundary Blvd.	Tampa	FL	33621	(813) 828-3361
TIN, Garrett San-Thein	12139 West Linebaugh Ave.	Tampa	FL	33626	(813) 814-0737
ZAW, Yaw	4425 East Fletcher Ave.	Tampa	FL	33613	(813) 631-1269
OO, Myo Myea	7835 Gunn Hwy	Tampa	FL	33626	(813) 926-6664
BLAK, Ma	7018 W. Waters Ave	Tampa	FL	33634	(813) 884-3764
SUI, Mai Bawi	12024 Anderson Rd.	Tampa	FL	33625	(813) 264-4457
MAWI, Sarah	5371 Ehrlich Road	Tampa	FL	33625	(813) 265-2372
MYINT, Ohn	3838 Britton Plaza	Tampa	FL	33611	(813) 835-1280
MYINT, Ohn	4315 W. Gandy Blvd.	Tampa	FL	33611	(813) 831-6890
MYINT, Ohn	3617 W. Gandy Boulevard	Tampa	FL	33611	(813) 832-1779
THANG, Lal	8975 Race Track Rd	Tampa	FL	33635	(813) 855-7913
SIN, Mawi Eng	16041 Tampa Palms Blvd West	Tampa	FL	33647-2001	(813) 972-2784
THANG, Lal	10928 Cross Creek Blvd	Tampa	FL	33647	(813) 986-1239
LEONG, Richard Kyi Sein	1313 S. Dale Mabry Hwy.	Tampa	FL	33629	(813) 258-9801
LEONG, Richard Kyi Sein	243 Bayshore Blvd.	Tampa	FL	33606	8132511173
LEONG, Richard Kyi Sein	555 Channelside Drive	Tampa	FL	33602	(813) 221-4121
LEONG, Richard Kyi Sein	401 Kennedy Street	Tampa	FL	33606	(813) 253-3333
SWEET, Melody Sullenmawi	40932 US HWY 19 North	Tarpon Springs	FL	34689	(727) 934-6535
SUI, Dawt Nei	5450 E Busch Blvd	Temple Terrace	FL	33617	(813) 984-6411
OO, Myint Lwin	11502 N 53rd St.	Temple Terrace	FL	33617	(813) 914-7252
SANG, Pau	8780 SE 165th Mulberry Ln	The Villages	FL	32162	(352) 751-0301
KO, Myat	327 Colony Blvd	The Villages	FL	32162	(352) 391-1802
WIN, Khin Yu Yu	3100 Little Road	Trinity	FL	34655	(727) 375-1179
LIAN, Thang Deih	220 Mall Lane, Suite 1	Tyndall AFB	FL	32403	(850) 283-4825
LIAN, Thang Rih	3461 Lithia Pinecrest Rd.	Valrico	FL	33596	(813) 661-4283
LIAN, Thang Rih	1971 State Road 60 East	Valrico	FL	33594-3603	(813) 657-4041
SAW, Tnar	810 S. U.S Hwy 1	Vero Beach	FL	32962	(772) 778-9600
SUNG, Van Nei	9595 Commercial Way	Weeki Wachee	FL	34613	(352) 596-5081
THANG, Cung Nai	32265 OVERPASS RD	WESLEY CHAPEL	FL	33545	(813) 953-4409
SWE, Myint Myint	2261 W. New Haven Ave.	West Melbourne	FL	32904-3805	(321) 676-0115
VUNG, Lun Cing	145 Palm Bay Rd NE	West Melbourne	FL	32904	(321) 722-0022
YEE, Khine Su	2950 Cleveland Clinic Blvd	Weston	FL	33331	(954) 659-5000
KO, Myat	5810 Seven Mile Dr	Wildwood	FL	34785	(352) 330-0542
SUAKA, Somkhid	14323 S. US Highway 301	Wimauma	FL	33598	(813) 634-2117
HUANG, Steven	7880 Winter Garden Vineland Rd	Windermere	FL	34786	(407) 876-0605
WONG, Ban Seong	13450 Summerport Village	Windermere	FL	34786	(407) 905-0199
HTWE, Tin	15508 Stoneybrook W. Pkwy	Winter Garden	FL	34787	(407) 654-6404
TRIYONO, Winarti	10650 Avalon Rd	Winter Garden	FL	34787	(407) 550-9012
KELLEY, Rattana	5400 Hamlin Groves Trail	Winter Garden	FL	34787	(407) 654-6157
NGUYEN, Joseph Ah Hong	13750 W. Colonial Drive	Winter Garden	FL	34787	(407) 654-7172
FANAI, Lalpui Thanga	6031 Cypress Gardens Blvd	Winter Haven	FL	33884	(863) 324-1182
PAIHSAWH, Van Bawi Lui	1090 Spirit Lake Rd.	Winter Haven	FL	33880	(863) 293-3804
PHAIPI, Donald	1395 6th St. NW.	Winter Haven	FL	33881	(863) 299-8000
PHAIPI, Donald	884 Cypress Gardens Blvd SE	Winter Haven	FL	33880	(863) 291-0312
KHUP, Suan Khan	1021 N Loop Road	Atlanta	GA	30354	(404) 714-0543

AFC Food Service Counters  
Franchisee List  
as of March 31, 2024

Franchisee Name	Address	City	State	Zip	Phone
Kip, Thawng	8132 VETERANS PKWY	COLUMBUS	GA	31909	(706) 223-6574
TIAL, Siang	580 Atlanta Rd.	Cumming	GA	30040	(770) 781-2040
CING, Lian San	1329 S. PETERSON AVE	DOUGLAS	GA	31533	(912) 493-6059
THANG, Pau	8150 Marne Rd	Fort Benning	GA	31905	(706) 544-3524
THU, Maung Myo Kyaw	3rd Ave By-Pass	Fort Gordon	GA	30905	(706) 791-3568
KHUAL, Hang Khan	200 Vilseck Rd	Fort Stewart	GA	31314	(912) 767-9309
TUANG, Thang Lam	2400 JONESBORO ROAD	Hampton	GA	30228	(470) 369-9579
MYINT, Zaw	1209 USS Daniel Boone Ave.	King's Bay	GA	31547	(912) 573-3310
CHU, Yueh Juuan	375 Rockbridge Rd NW	Lilburn	GA	30047	(770) 806-4040
TUANG, Kap Thawn	2675 Lee Rd	Lithia Springs	GA	30122	(770) 920-3471
KHUP, Nang Kim	3045 Panola Rd	Lithonia	GA	30038-2317	(770) 322-1890
SUNG, Par Tin	2000 Hwy 155 N	McDonough	GA	30253	(678) 379-1000
HUM, Stewart T	Georgia College State University	Milledgeville	GA	31061-1725	(478) 445-8646
MUNG, Sut Suan	4333 George St.	Moody AFB	GA	31699	(229) 257-3384
TUANG, Cin Pian	923 Macon St-Bldg 923	Robins AFB	GA	31098	(478) 222-7618
ZAM THANG, Suan	89 Haley Street	Savannah	GA	31409	(912) 315-5219
ZATHANG, Van Mawng	600 Saint Simons Island	St. Simons	GA	31522	(912) 638-8100
GIM, Jing	7780 McGinnis Ferry Rd.	Suwanee	GA	30024	(770) 622-0218
CING, Julia	4550 Jonesboro Road	Union City	GA	30291-2080	(770) 969-0269
AUNG, Htin	4416 Waialo Road	Eleele	HI	96705	(806) 354-8788
KHURASRI, Narisa	5-5172 Kuhio Hwy	Hanalei	HI	96714	(808) 826-6652
MARIP, La	20 Hickam CT.	Hickam AFB	HI	96853	(808) 449-1363
TAN, Keong Laurel Ping Sie	1301 Punch Bowl St.	Honolulu	HI	96813	(808) 538-9011
HUANG, Gui Fang	3221 Waialae Avenue	Honolulu	HI	96816	(808) 733-5050
CHEN, Min	590 Kailua Road	Honolulu	HI	96734	(808) 266-4004
MARIP, Nu Khawn	Sushi Bar Pearl Harbor Commissary	JBPHH	HI	96860-6000	(808) 471-8402
CHEN, Min	45-934 Kamehameha Highway	Kaneohe	HI	96744	(808) 233-4622
LEE, Stella Kyoung	Marine Corps Base	Kaneohe Marine Corps	HI	96863	(808) 257-1463
KHURASRI, Narisa	1105 F Kuhio Hwy	Kapa'a	HI	96746	(808) 822-4971
LAHPAI, John Z.	1310 South Kihei Rd	Kihei	HI	96753	(808) 442-4750
AUNG, Htin	5516 Koloa Road	Koloa	HI	96756	(808) 742-1614
LAHPAI, John Z.	3350 Lower Honoapiilani Rd.	Lahaina	HI	96761	(808) 442-4700
AUNG, Htin	32600 Kaunualii Hwy	Lihue	HI	96766	(808) 245-7777
MAI, Lawalt Zaw	698 Trimble Rd.	WAHIAWA	HI	96786	(808) 655-5066
LIESEMEYER, June Hyunhee	98-1264 Kaahumanu St.	Waimalu	HI	96782	(808) 483-3666
Du, Zen	94-766 Farrington Hwy.	Waipahu	HI	96797	(808) 671-0502
SANGA, Lalnghak	2002 Woodland Avenue	Des Moines	IA	50312	(515) 243-1754
HTUN, Tutu	720 E. Park Blvd.	Boise	ID	83712	(208) 381-2222
SIAM, Zir	411 Deinhard Ln	McCall	ID	83638	(208) 634-8719
HLAING, Razar	615 Gunfighter Ave.	Mt. Home AFB	ID	83648	(208) 828-2163
LEE, Mark	7111 W. Cermak Rd.	Berwyn	IL	60402	(708) 426-7150
AYE, Tun	2203 East Oakland Avenue	Bloomington	IL	61701	(309) 663-4012
LOTONG, Ro Liansang	271 South Bolingbrook Drive	Bolingbrook	IL	60440	(630) 914-5494
WANG, Shiwei	109 Mattis Rd	Champaign	IL	61821	(217) 351-2600
KHAING, Aung	2206 Barnes Blvd	Cherry Valley	IL	61012	(815) 332-7267
LWIN, Moe Thauk Saw	410 North Michigan Ave	Chicago	IL	60611	(312) 321-0951
LEE, Sung-Kyung	4660 W. Irving Park	Chicago	IL	60641	(773) 202-0211
MANG, Thang Thawn	3607 West Fullerton	Chicago	IL	60647	(773) 278-8355
NWE, Zin Mar	6014 S Cottage Grove Ave.	Chicago	IL	60637	(773) 358-4278
OU, Zhuaxiao	225 E. Chicago Ave	Chicago	IL	60611	(312) 227-4000
MUANG, Zo Kim	5516 N Clark	Chicago	IL	60640	(773) 728-7730
THANG, Haw Pum	5343 N Broadway	Chicago	IL	60640	(723) 784-1922
CING, Ciin Ngaih	757 North Michigan Ave	Chicago	IL	60611	(312) 664-8686
CING, Ciin Ngaih	151 North State Street	Chicago	IL	60601	(312) 863-4249
SAI NAW KHAM, Jonathan	6107 SOUTH ARCHER AVENUE	CHICAGO	IL	60638	(773) 735-0043

AFC Food Service Counters  
Franchisee List  
as of March 31, 2024

Franchisee Name	Address	City	State	Zip	Phone
MUNG, Langh Suan	2520 N Narragansett Ave	Chicago	IL	60639	(773) 637-1631
CING, Niang Go	5233 North Lincoln Avenue	Chicago	IL	60625	(773) 943-6042
LIAN, Uk Peng	2940 N. Ashland Ave.	Chicago	IL	60657	(773) 871-8242
SHON, Jeong Nock	370 North Desplaines Ave	Chicago	IL	60661	(312) 775-0991
SUN THANG, Ram Tiam Hngak	7342 West Foster Ave	Chicago	IL	60656	(773) 775-6866
TUANG, Vung Khen	3531 North Broadway	Chicago	IL	60657	(773) 871-1054
CHEN, Huan Hua	6430 Irving Park Rd.	Chicago	IL	60634	(773) 725-8900
KUNG, Tuan	107 Avenue of the Cities	East Moline	IL	61244	(309) 751-0960
Khual, Cin Za	2400 N Harlem Ave.	Elmwood Park	IL	60707	(708) 453-0155
DAL, Man Khan	2630 Greenbay Rd.	Great Lakes	IL	60088	(847) 688-2644
KHAING, Aung	1810 Harlem Road	Loves Park	IL	61111	(815) 633-1481
SOE, Myo Min	3243 W. 115th Street	Merrionette Park	IL	60803	(708) 389-9001
KUNG, Tuan	2010 1st Street A	Moline	IL	61265	(309) 797-0558
LIAN, Sian Khaw	3115 111th Street	Naperville	IL	60564	(630) 579-3300
LIANG, Jeffrey Hui	8900 N. Greenwood Ave	Niles	IL	60714	(847) 795-4600
CHONG, Moses	7900 N. Milwaukee Ave	Niles	IL	60714	(847) 965-3925
CHONG, Moses	5667 W. Touhy Ave.	Niles	IL	60714	(847) 647-6880
MUNG, Lian Kap	8730 W Dempster St	Niles,	IL	60714	(847) 298-6352
NAU, Osman	4800 N University	Peoria	IL	61614	(309) 690-3242
NAU, Osman	10405 N Centerway Dr.	Peoria	IL	61615	(309) 621-7340
ZUAL, Cherry Mawi	1241 N. Rand Road	Prospect Heights	IL	60004	(847) 394-1000
KHAING, Aung	6410 E. State Street	Rockford	IL	61108	(815) 397-6080
KHAING, Aung	4860 Hononegah Rd.	Roscoe	IL	61073	(815) 623-7799
WANG, Shiwei	1302 Savoy Plaza Center	Savoy	IL	61874	(217) 373-0700
PATRATA, Marissa Aluran	203 West Winters St.	Scott AFB	IL	62225	(618) 212-3898
KHUAL, Thang	622 North Randall Rd.	South Elgin	IL	60177	(847) 289-0600
KOP, Paa Sian	2801 Chatham Rd.	Springfield	IL	62704	(217) 698-2980
KOP, Paa Sian	1911 Sangamon Ave. E	Springfield	IL	62702	(217) 744-2012
TIN, John	200 N Vine	Urbana	IL	61802	(217) 337-6016
LIAN KHAM, Khin Maung	76 Canondale Dr.	Chesterton	IN	46304	(219) 929-1717
BRANG, Ah	10839 Randolph Street	Crown Point	IN	46307	(219) 661-1400
BIK, Benjamin Tha Hlei	10851 Broadway	Crown Point	IN	46307	(219) 661-4144
SAW, Min Min	130 W Hively Ave	Elkhart	IN	46517	(574) 294-6130
HLAWNCEU, Tin Mang	120 Sanford School Road	Elkhart	IN	46514	(574) 970-8469
HLAWNCEU, Tin Mang	3800 East Mishawaka Rd.	Elkhart	IN	46517	(574) 875-6211
LIAN, Cung Nawl	575 E Jackson Blvd.	Elkhart	IN	46516	(574) 293-6659
TIN, Joseph Cungzauk	3900 E. Bristol St.	Elkhart	IN	46514	(574) 264-0113
PI, Tuang	3700 First Ave	Evansville	IN	47710	(812) 464-3920
PI, Tuang	4500 W Lloyd Expressway	Evansville	IN	47712	(812) 422-6325
PI, Tuang	5000 Washington Ave.	Evansville	IN	47715	(812) 473-0151
ZATHANG, Tha	3501 N. Green River Rd.	Evansville	IN	47715	(812) 473-4510
ZATHANG, Tha	600 E Booneville	Evansville	IN	47725	(812) 464-3500
KHAM, Gregory Thang Suan	218 E Pettit Ave	Fort Wayne	IN	46806	(260) 745-7800
CEU, Nei	1527 Bashore Rd.	Goshen	IN	46528	(574) 537-0719
HMUNG, Duh That	1410 College Blvd	Goshen	IN	46526	(574) 975-0962
HLAWNCEU, Tin Mang	7355 Heritage Square Dr.	Granger	IN	46530	(574) 807-8220
ZAW, Win	12850 State Rd 23	Granger	IN	46530	2192775521
LIN, Tun Tun	2635 169th Street	Hammond	IN	46323	(219) 844-5415
HMUNG, Ngun	9632 Cline Ave	Highland	IN	46322	(219) 924-6932
MOO, Saw Kyaw	7760 E RIDGE RD	Hobart	IN	46324	(219) 962-1115
BLAIDOOT, Monnya	9115 Hague Road	Indianapolis	IN	46256	(317) 521-2000
ZATHANG, Carson Lenza	Lilly Corporate Center DC 1805	Indianapolis	IN	46285	(317) 277-7183
HLEN, Mang	5025 W 71st St	Indianapolis	IN	46268	(502) 571-4626
THANG, Van	2821 S Washington St	Kokomo	IN	46902	(765) 453-7556
SAM RA, Zau Hkun	6001 Broadway Ave.	Merrillville	IN	46410	(219) 980-1468

AFC Food Service Counters  
Franchisee List  
as of March 31, 2024

Franchisee Name	Address	City	State	Zip	Phone
TIN, Joseph Cungzauk	306 N. Bittersweet	Mishawaka	IN	46544	(574) 259-2405
ZAW, Win	314 Ironwood Drive	Mishawaka	IN	46544	(574) 259-6348
SUE, Charity Phaw Thein	12 Ridge Road	Munster	IN	46321	(219) 836-8414
HMUNG, Duh That	242 North Oakland Ave	Nappanee	IN	46550	(574) 773-3013
PI, Tuang	8301 Bell Oaks Dr.	Newburgh	IN	47630	(812) 853-9505
OO, Kyaw Zin	6046 Central Ave.	Portage	IN	46368	(219) 762-9518
CHIN, Biak Sung	1515 Us Highway 41	Schererville	IN	46375	(219) 865-8990
YEENA, Daryusi	525 S. Mayflower Road	South Bend	IN	46619	(574) 288-4854
YEENA, Daryusi	926 Erskine Plaza	South Bend	IN	46614	5742919881
ZAW, Win	2081 S. Bend Ave.	South Bend	IN	46637	5742726922
LIAN, Ngun Hmung	9825 Wicker Ave	St. John	IN	46373	(219) 365-7717
MYI SHI, Mung San	2168 W Highway 30	Valparaiso	IN	46385	(219) 462-5147
LO, Va Thla	1605 Calumet Ave.	Valparaiso	IN	46383	(219) 464-8606
LO, Va Thla	2800 N. Calumet Ave	Valparaiso	IN	46383	(219) 464-3571
TUANG, Kam Sian	1150 Husky Trail	Warsaw	IN	46582	(574) 371-9000
ROT, Nai Mangay	225 E. Cloud	Andover	KS	67002	(316) 733-3720
MAR, Cho Cho	1624 N. Rock Road	Derby	KS	67037	(316) 554-2129
BOUTHAVONG, Tasha Soukphaphone	1700 N. 14th Street	Dodge City	KS	67801	(620) 225-6130
LET, Suang Khua	310 Kansas Ave	Fort Leavenworth	KS	66027	(913) 684-4903
MAUNG, Than Tin	2310 Trooper Dr. Bldg #231	Fort Riley	KS	66442	(785) 239-0521
LIAN, Kham Za	1305 East Kansas	Garden City	KS	67846	(620) 275-4274
LIAN, Kham Za	1211 Buffalo Jones Ave	Garden City	KS	67846	(620) 275-0194
TE, Kim	531 West 27Th Street	Hays	KS	67601	(785) 628-1016
TE, Kim	1902 Vine Street	Hays	KS	67601	(785) 628-6137
NAUNG, Htoo Myat	206 W 5Th Ave	Hutchinson	KS	67501	(620) 663-4464
NAUNG, Htoo Myat	3200 Plaza East Drive	Hutchinson	KS	67502	(620) 665-5579
LIAN, Khai Sawm	1410 S Kansas	Newton	KS	67114	(316) 284-3720
LIAN, Khai Sawm	1216 N Main	Newton	KS	67114	(316) 283-4180
LAZUM, Seng Naw	2350 Planet Ave	Salina	KS	67401	(785) 823-9403
LAZUM, Seng Naw	1235 E. Cloud St.	Salina	KS	67401	(785) 827-8775
IANG, Sui Fom Chen	6829 SW 29th St.	Topeka	KS	66614	(785) 228-4200
IANG, Sui Fom Chen	5311 S.W. 22nd Place	Topeka	KS	66614	(785) 228-8760
LIAN, ZA HEI	4015 S.W. 10th Street	Topeka	KS	66604	(785) 228-8700
YOUNGPOEIH, Boeihang Batu	2010 SE 29th Street	Topeka	KS	66605	(785) 267-1797
BIL, Anthony	800 NW 25th Street	Topeka	KS	66618	(785) 357-2660
SOE, Thike	10515 W Central	Wichita	KS	67212	(316) 729-0050
SOE, Thike	1910 W 21st N	Wichita	KS	67203	(316) 838-1158
SOE, Thike	640 North West Street	Wichita	KS	67203	(316) 941-1920
OO, Lay Naing	10222 W 21st	Wichita	KS	67205	(316) 729-1530
KHIN, Thanda	7707 E. Central	Wichita	KS	67206	(316) 651-2700
NAW, THIDAR WIN	9450 East Harry	Wichita	KS	67207	(316) 651-2720
ROT, Nai Mangay	5500 E Harry Street	Wichita	KS	67218	(301) 686-5200
SANAY, Linnai	3707 North Woodlawn	Wichita	KS	67220	(316) 691-9130
HTOO, Saw Shadey	53327 Derby Court Building	Wichita	KS	67221	(316) 759-5621
CIN, Van Cer	8828 W 13th Street N	Wichita	KS	67212	(316) 722-5690
CIN, Van Cer	3211 S Seneca	Wichita	KS	67217	(316) 522-4404
CIN, Van Cer	13415 Maple Street	Wichita	KS	67235	(316) 729-5200
ZOU, Amy	2244 North Rock Rd. Ct.	Wichita	KS	67226	(316) 685-5844
NAW, THIDAR WIN	3020 E. Douglas Ave	Witchita	KS	67214	(316) 681-6830
NWEE, Naw Phaw	4747 South Broadway	Witchita	KS	67216	(316) 529-9030
LIAN, Tun Tuang	2835 S. Highway 393	Buckner	KY	40031	(800) 576-4377
HNIANG, Rang K	2606 Indiana Ave	Fort Campbell	KY	42223	(270) 640-4008
SHU, Sa San	Gold Vault Rd Bldg# 121	Fort Knox	KY	40121	(502) 624-8525
CIN, Hmung Cung	1001 Cherry Blossom Way	Georgetown	KY	40324	(502) 868-2000
TE, Lal	800 Rose Street	Lexington	KY	40536	(859) 323-5825

AFC Food Service Counters  
Franchisee List  
as of March 31, 2024

Franchisee Name	Address	City	State	Zip	Phone
THANG, Thawng	2500 TERRA CROSSING BLVD	LOUISVILLE	KY	40245-5374	(502) 885-7662
MANG, Sem Sui	1265 Twining Drive	Barksdale	LA	71110	(318) 456-8263
RAHKAWI, Aung Dee	7355 Highland Drive	Baton Rouge	LA	70808	(225) 767-0074
RAHKAWI, Aung Dee	600 Arlington Creek Centre Blvd	Baton Rouge	LA	70820	(225) 448-0271
MARAN, Raymond Khun Aung	3446 Drusilla Lane	Baton Rouge	LA	70809	(225) 776-4800
LABU, Lawt Naw	18111 Highland Road	Baton Rouge	LA	70810	(225) 615-7800
JANG MAW, Dai Zin	12732 Perkins Road	Baton Rouge	LA	70810	(225) 767-6659
BAWK, Htoi	7580 Bluebonnet Blvd	Baton Rouge	LA	70810	2252511010
KI, Mang Cer	5909 Florida BLVD.	Baton Rouge	LA	70806	#N/A
JANGMAW, Seng Hkawn	14640 Village Market Street	Baton Rouge	LA	70817	(225) 448-0050
LIAN, Cung Bik	7902 Highway 23	Belle Chasse	LA	70037	(504) 393-1012
LEN, San	400 Russell Ave	Belle Chasse	LA	70037	(504) 678-2587
LAI NAWL, Siang Lian Hmung	10130 Crossing Way	Denham Springs	LA	70726	2254357070
LAL, Khai Suan	7445 LA 467 Bldg 601	Fort Polk	LA	71459	(337) 531-2747
THLENG, Biak	209 S. Airline Highway	Gonzales	LA	70737	2256446686
MYINT, Aye	14635 Airline Highway	Gonzales	LA	70737	2256734255
HEI, Thang	2704 W. Thomas Street	Hammond	LA	70401	(985) 340-4924
LING, MOSES	1410 St. Charles Street	Houma	LA	70360	(985) 580-2525
LAL, Ram Hu	2233 Martin Luther King Blvd.	Houma	LA	70360	#N/A
SUNG, Amy	6136 Johnston Street	Lafayette	LA	70503	3378890040
CEU, John San Cung	1810 Camellia Blvd.	Lafayette	LA	70508	#N/A
BIK, Ngun Ceu	601 Bertrand Drive	LaFayette	LA	70506	(337) 889-0045
THA, Ceu	1351 Sam Houston Jones Parkway	Lake Charles	LA	70611	(337) 502-0120
MANG, Van Cin	19520 Highway 40	Loranger	LA	70446-3456	(985) 878-0012
HPAKAWN, Ja Yung	710 Veterans Memorial Blvd	Metairie	LA	70005	(504) 834-8216
BAWK, Zau	5016 West Esplanade Ave	Metairie	LA	70006	(504) 885-7005
HKAWNG, Ze	5010 Veterans Memorial Blvd	Metairie	LA	70006	(504) 887-1150
SENG, Aung	6403 HIGHWAY 90 EAST	Morgan City	LA	70380	(985) 384-4477
ZING, Dawt Len	900 E. Admiral Doyle Drive	New Iberia	LA	70560	(337) 551-5002
BAWK, Zau	135 Robert E Lee Blvd	New Orleans	LA	70124	(504) 282-3428
RALTE, Lal Rem Ruata	801 Harrison Ave.	New Orleans	LA	70124	(504) 293-1201
RALTE, Lal Rem Ruata	8115 South Clairborne Ave.	New Orleans	LA	70118	(504) 488-0536
CIN, Ngun Cer	2222 St. Claude Ave	New Orleans	LA	70117	(504) 262-8888
LI, Seng	58440 Belleview Highway	Plaquemine	LA	70764	2256850422
MYINT, Aye	260 Highway 70 Spur	Plattenville	LA	70393	9853693200
PA PA, Ah Li	28477 Highway 22	Ponchatoula	LA	70454	(985) 792-9122
RUAPHUL, Nawl Ci	145 Berryland Shopping Center	Ponchatoula	LA	70454	9854010010
San, Nang	40017 Highway 42	Prairieville	LA	70769	(225) 622-4041
KUNG, Khua	5525 Cameron Street	Scott	LA	70583	(337) 232-9877
SPEARMAN, Teresa Tolentino	44269 Louisiana 429	St. Amant	LA	70774	(225) 644-7767
THANG, William Ram Kip	5452 Live Oak Centre Drive	St. Francisville	LA	70775	(225) 635-9817
THAWNG, Lian	800 Carlyss Boulevard	Sulphur	LA	70665	(337) 502-0110
BAWI, Vannawl	147 Oak Tree Park Drive	Sunset	LA	70584	(337) 662-5512
LIAN, Nun	204 North Canal Blvd	Thibodaux	LA	70301	(985) 446-3427
MANG, Fung	1030 S. Acadia Rd	Thibodaux	LA	70301	9853876025
WAI, Ted	2900 E. Milton Ave	Youngsville	LA	70592	3373622814
SUNG, Ngun Tha	2300 Church Street	Zachary	LA	70791	(225) 658-2784
REH, Mee	248 Great Road	Acton	MA	01720	(978) 635-9893
LWIN, Min	175 University Drive	Amherst	MA	01002	(413) 253-0416
VILASA, FNU	301 Pond Street	Ashland	MA	01721	(508) 881-5125
KM, TEK BAHADUR	2040 Commonwealth Ave	Auburndale	MA	02466	(617) 965-1793
GAO, Qiong	535 Trapelo Rd.	Belmont	MA	02478	(617) 489-6540
SHERPA, Ngjima	106 Saint Stephen St.	Boston	MA	02115	(617) 373-2530
SHERPA, Doma	90 Causeway St.	Boston	MA	02114	(857) 409-3403
SHERPA, Doma	24 School Street	Boston	MA	02108	(617) 372-8156

AFC Food Service Counters  
Franchisee List  
as of March 31, 2024

Franchisee Name	Address	City	State	Zip	Phone
SHERPA, Sangye	1 Boylston Street	Chestnut Hill	MA	02467	(617) 232-3854
JUNGNEY, Yeshi	650 Memorial Drive	Chicopee	MA	01020	(413) 593-0204
XU, Han Qing	739 Chief Justice Cushing	Cohasset	MA	02025	(781) 383-2315
MAY, Mya Mya	15 State Rd	Dartmouth	MA	02747	(508) 993-9995
ONG, Naing Ong	441 N Main Street	East Longmeadow	MA	01028	(413) 504-6014
JIANG, Phoebe Bao Qian	348 East Central Street	Franklin	MA	02038	(508) 553-8705
TUN, Tin	560 Main Street	Gardner	MA	01440	(978) 730-1040
OO, Thu Zar	127 Eastern Ave	Gloucester	MA	01930	(978) 281-4844
SUI, Esther	740 Main St	Great Barrington	MA	01230	(413) 528-1314
HTITE , Saw Wei Lin	300 Stockbridge Road	Great Barrington	MA	01230	(413) 528-8415
KO, Aung Ko	237 Mohawk Trail	Greenfield	MA	01301	(413) 772-0435
TUAN, Lang Kho	1709A BUILDING - GRIFFISS STREET	HANSCOM AFB	MA	01731-6290	(781) 377-4210
WOSE, Xirao	160 Reservoir St Rt. 31	Holden	MA	01520	(508) 829-9614
LWIN, Su Sandar	167 West Main Street	Hopkinton	MA	01748	(508) 625-3263
CHEN, Ying Meng	182 Summer St.	Kingston	MA	02364	(781) 585-7423
AUNG, Zaw Zaw	10 Pleasant Street	Lee	MA	01238	(413) 504-6037
HTITE , Saw Wei Lin	495 Pittsfield Road	Lenox	MA	01240	(413) 443-5449
KHAING, Lai Lai	145 Lincoln Road	Lincoln	MA	01773	(781) 259-0144
KHAING, Lai Lai	236 Great Rd.	Littleton	MA	01460	(978) 486-8986
LWIN, Zarli	802 Williams Street	Longmeadow	MA	01104	(413) 567-6231
MAUNG, Shan Y	433 Center Street	Ludlow	MA	01056	(413) 589-0161
LWIN, Su Sandar	240 East Main Street	Marlborough	MA	01752	(508) 480-0109
ZAW, Myo Htet	7 Medway Road	Milford	MA	01757	(508) 422-9300
JANG, Se Won	45 Veterans Memorial Drive	North Adams	MA	01247	(413) 663-6549
ZAW, Win	136 N King Street	Northampton	MA	01060	(413) 584-6137
ZHANG, Ming Zhi	10 Washington Street	Norwell	MA	02061	(781) 681-9322
HTET, Zarni	434 Walpole Street	Norwood	MA	02062	(781) 769-0905
KYAW, Kyaw	1180 Thorndike Street	Palmer	MA	01066	(413) 504-6020
GAO, Jianchao	200 West St	Pittsfield	MA	01201	(413) 447-7301
GUO, Zheng Hua	555 Hubbard Ave	Pittsfield	MA	01201	(413) 442-7696
WANGMO, Tsering	731 Boston Turnpike	Shrewsbury	MA	01545	(508) 791-7142
GYALTSEN, Sherab	25 Robert Dr.	South Easton	MA	02375	(508) 238-6305
TOBZIN TASHI, Fnu	44 Willimansett Street	South Hadley	MA	01075	(413) 538-9303
PAW, Than Tin	10 College Hwy Rt. 10	Southampton	MA	01073	(413) 527-5500
HTOO, Kyaw	505 E. Main Street	Southbridge	MA	01550	(508) 764-6213
THAWNG, Kulh Lian	195 College Highway	Southwick	MA	01077	(413) 569-6163
ZAW, Myo Htet	62 W. Main Street	Spencer	MA	01562	(508) 885-0003
JUNGNEY, Yeshi	1090 St. James Ave	Springfield	MA	01104	(413) 732-5177
JUNGNEY, Yeshi	2145 Roosevelt Avenue	Springfield	MA	01104	(413) 784-0600
MAUNG, Shan Y	1941 Wilbraham Road	Springfield	MA	01129	(413) 783-9141
HTUN, Khin Htike Htike	1500 Main Street	Springfield	MA	01115	(413) 504-1278
THAWNG, Kulh Lian	300 Cooley Street	Springfield	MA	01128	(413) 782-0608
CHEN, Shi Ping	171 Worcester-Providence Turnpike	Sutton	MA	01590	(508) 865-5168
LIN, Kyaw Htin	1111 Providence Hwy	Walpole	MA	02081	(508) 660-9710
GAO, Qiong	1070 Lexington St.	Waltham	MA	02451	(781) 891-0615
KYAW, Kyaw	148 West Street	Ware	MA	01082	(413) 967-6181
CHEN, Shi Ping	2 Worcester Road	Webster	MA	01570	(508) 943-7232
SHWE, Thanda	637 Lowell St.	West Peabody	MA	01960	(978) 536-3200
HTET, Nyai W	503 Memorial Ave.	West Springfield	MA	01089	(413) 746-0999
MAR, Zin	1 E Silver Street	Westfield	MA	01085	(413) 568-1001
WIN, Aung Myo	475 E Main Street	Westfield	MA	01085	(413) 562-5230
ZOU, Mei Ya	610 Middle St	Weymouth	MA	02817	(781) 331-5108
TUN, May	2035 Boston Road	Wilbraham	MA	01095	(413) 543-0931
CHEN, Shi Ping	564 South West Cutoff	Worcester	MA	01610	(508) 752-3737
CHEN, Shi Ping	50 Cambridge Street	Worcester	MA	01603	(508) 363-4870

AFC Food Service Counters  
Franchisee List  
as of March 31, 2024

Franchisee Name	Address	City	State	Zip	Phone
PHUNTSOK, Dhamchoe	72 Pullman Street	Worcester	MA	01606	5088548474
WANGMO, Tsering	221-223 Park Ave	Worcester	MA	01609	(508) 798-5178
TSERING WANGDUE, FNU	100 Mayfield St.	Worcester	MA	01602	(508) 793-9011
MYO, Raymond	1684 Starkey Bl.	Andrews AFB	MD	20762	(240) 857-6512
LATT, Aung	694 Kinkaid Road	Annapolis	MD	21402	(240) 498-7666
SANG, Van Run	3779 Boston St.	Baltimore	MD	21224	(410) 522-0270
THAN, Hrang	1801 Whetstone Way	Baltimore	MD	21230	(410) 528-8484
LIAN, Bawi Tin	4805 Battery Lane	Bethesda	MD	20814	(240) 630-8635
TIAL, Elena Hlawn	44900 St Andrews Church Rd.	California	MD	20619	(301) 737-2393
THANT, Orion	Building 2786 Mapes & Macarthur Rds	Fort George G Meade	MD	20755	(301) 677-7286
CHO, Ham Liang	6906 Cooper Ave	Fort Meade	MD	20755	(301) 225-8100
CHAW, Fourkoko	BLDG # 1510 Porter Street	Frederick	MD	21702	(301) 619-4219
CHEN, Hai Yan	323 Copley Place	Gaithersburg	MD	20878	(301) 963-7904
THANT, Orion	2657G Annapolis Rd.	Hanover	MD	21076	(410) 551-8700
THANG, Hnlang Hnem	11100 Johns Hopkins Rd.	Laurel	MD	20723	(240) 228-5000
KVI, Khin Maung	2173 Cuddihy Rd.	NAS Patuxent River	MD	20670	(301) 342-3789
TUN, Khin Thida	12525 Park Potomac Ave	Potomac	MD	20854	(301) 294-5329
LIANI, Zo Siam	11845 Old Georgetown	Rockville	MD	20852	(301) 468-3029
LIANG, GuoZhu	407 George Clauss Blvd	Severn	MD	21144	(410) 582-9990
OO, Min Zaw	600 center Street	Auburn	ME	04210	(207) 784-6971
WIN, Genesis	1 Chandler Dr.	Bath	ME	04530	(207) 443-9179
WIN, Genesis	147 Bath Rd. Route 1	Brunswick	ME	04011	(207) 721-9996
OO, Min Zaw	27 East Av.	Lewiston	ME	04240	(207) 784-6900
TUN, Htoo	720 South 11th. Street	Niles	MI	49120	(269) 684-2722
NG, Daniel K	2121 Cleveland Ave.	St. Joseph	MI	49085	(616) 983-1223
TUN, Htoo	5637 Cleveland Ave.	Stevensville	MI	49127	(269) 429-1711
NWAY, Ma	9655 Colorado Lane N	Brooklyn Park	MN	55445	(763) 315-6767
DOOT, Mon	7900 Market Blvd	Chanhassen	MN	55317	(952) 934-1010
NWAY, Ma	12900 Riverdale Dr.	Coon Rapids	MN	55448	(763) 421-4252
KHAING, Thwe Thwe	615 West Central Entrance	Duluth	MN	55811	2187270272
Lin, Klara	16500 W. 78th St.	Eden Prairie	MN	55346	(952) 937-9585
VANG, Lue	440 Water Street	Excelsior	MN	55331	(952) 229-8300
HER, Ying Pao	2440 Hennepin Ave.	Minneapolis	MN	55405	(612) 377-3448
HER, Ying Pao	5615 Chicago Ave. South	Minneapolis	MN	55417	(612) 824-2430
LEE, Naicheng Koobtsheej	5327 Lyndale Ave. S.	Minneapolis	MN	55419	(612) 822-2935
ZIN, Thet Htar	655 Nicollet Mall	Minneapolis	MN	55402	(612) 339-0363
THAO, Keng	5801 Neal Ave. N.	Oak Park Heights	MN	55082	(651) 439-9161
NU, Wai	441 County Highway 96	Shoreview	MN	55126	6513136868
VANG, Bee	1261 Grand Ave.	St. Paul	MN	55105	6516983366
PEON, Nyee	4391 South Lake Ave	White Bear Lake	MN	55110	(651) 429-5913
ZAW, Ne Myo	1059 Meadowlands Dr.	White Bear Lk	MN	55127	(651) 426-6534
HER, Rosie	8505 Valley Creek Road	Woodbury	MN	55125	6515788800
SOUN, Ai Thomas Kua	3900 Vogel Road	Arnold	MO	63010	(636) 282-3377
MAI, Gui Qing	1393 Big Bend	Ballwin	MO	63021	(636) 225-3777
SING, Pan Paukhan	8800 Manchester	Brentwood	MO	63144	(314) 961-5454
MAI, Gui Qing	141 Hilltown Village	Chesterfield	MO	63017	(636) 532-2505
TUANG, Deng	1060 Woodsmill Plaza	Chesterfield	MO	63017	(636) 227-2278
HUALNGO, Michael Kaplianchnunga	1400 Forum Blvd.	Columbia	MO	65203	(573) 446-2800
UK, Nawl	6083 Mid Rivers Mall Dr.	Cottleville	MO	63304	(636) 498-0108
MAI, Gui Qing	12756 Olive Street Rd.	Creve Coeur	MO	63141	(314) 434-7323
UK, Nawl	7909 Highway N	Dardenne Prairie	MO	63368	(636) 561-4650
LATT, Win Tun	12332 Manchester Road	Des Peres	MO	63131	(314) 965-3094
THAWNG, Peter Biak	245 East 5th St.	Eureka	MO	63025	(636) 938-4102
HTOI, Awng	45 Gravois Bluffs Plaza Dr.	Fenton	MO	63026	(626) 343-1216
SOUN, Ai Thomas Kua	1181 Gannon Plaza	Festus	MO	63028	(636) 937-3339

AFC Food Service Counters  
Franchisee List  
as of March 31, 2024

Franchisee Name	Address	City	State	Zip	Phone
KHUAL, Lian	689 Nebraska Ave.	Fort Leonard Wood	MO	65473	(573) 596-0783
Hualingo, Zomawia	1801 Missouri Blvd.	Jefferson City	MO	65109	(573) 635-0753
SENG, Htoi	10233 Manchester Rd.	Kirkwood	MO	63122	(314) 965-7310
PAE, Kyong	10275 Clayton Rd.	Ladue	MO	63124	(314) 991-0510
MOY, San Jian	8867 Ladue Rd	Ladue	MO	63124	(314) 725-7574
UK, Nawl	101 Civic Center Dr.	Lake St Louis	MO	63367	(636) 561-1922
LATT, Win Tun	7355 Manchester Road	Maplewood	MO	63143	(314) 644-7825
MAI, Gui Qing	2030 Dorsett Rd.	Maryland Heights	MO	63043	(314) 434-3147
KIIM, Zam Suan	5519 Oakville Shopping Center	Oakville	MO	63129	(314) 892-6401
CHIN, TinTin Aye	6600 Clayton Rd.	Richmond Heights	MO	63117	(314) 644-0510
UK, Nawl	3740 Monticello Plaza Dr	Saint Charles	MO	63304	(636) 300-0630
UK, Nawl	60 Harvester Sq	Saint Charles	MO	63303	(636) 441-5900
KIIM, Zam Suan	5434 Southfield Ctr	Saint Louis	MO	63123	(314) 849-1815
NHKUM, Kyaw Lwino	1900 First Capital Dr.	St. Charles	MO	63301	(636) 669-1801
SHWE, U Thuang	3430 S. Grand Blvd.	St. Louis	MO	63118	(314) 772-5500
SING, Pan Paukhan	8650 Big Bend Blvd.	St. Louis	MO	63119	(314) 961-0555
CIN, Kham Lam	5055 Arsenal	St. Louis	MO	63139	(314) 771-5008
CIN, Kham Lam	60 Hampton Village Plaza	St. Louis	MO	63109	(314) 353-5060
LIAN, Deih	1020 Loughborough	St. Louis	MO	63111	(314) 752-5333
LIAN, Deih	315 N. 9th St.	St. Louis	MO	63101	(314) 436-7694
KIIM, Zam Suan	4333 Butler Hill Road	St. Louis	MO	63128	(314) 894-1227
CHIN, TinTin Aye	4171 Lindell Blvd	St. Louis	MO	63108	(314) 533-8027
MOY, San Jian	10650 Olive Blvd	St. Louis	MO	63141	(314) 567-3838
HMUN, Van Ro	700 Arnold Ave.	Whiteman AFB	MO	65305	(660) 687-5655
AYE, Nanghseng	508 Larcher Blvd	Biloxi	MS	39534	(228) 377-4666
YIN, Nai Ong	323 Simler Blvd Bldg #16 B	Columbus AFB	MS	39710	6624347109
THANG, Vanlian	4407 East Aloha Drive	Diamondhead	MS	39525	(228) 255-3430
MAR, JOHN HOUNG	1444 East Pass Rd.	Gulf Port	MS	39507	2286787006
LIN, Nai Min	1707 CBC Second Street B	Gulfport	MS	39501	2288712039
GARDEA, MAYRA	600 Battleground Drive	Iuka	MS	38852	(662) 423-9595
SAN, Kyaw Soe	3164 Bienville	Ocean Springs	MS	39564	(228) 875-1687
VALENTINE, Elizabeth R.	7228 FOURTH AVENUE NORTH	MALMSTROM AFB	MT	59402-7510	(406) 731-3432
TUANG, Gin Lam	Atrium Health Mercy Hospital	Charlotte,	NC	28207	(704) 304-5000
BAWI, Lian Cung	136 Merrimon Ave	Asheville	NC	28801	(828) 255-1817
KUAL, Lam Khan	240 Shadowline Dr.	Boone	NC	28607	(828) 262-3319
SAY, Lah	1230 Holcomb Blvd	Camp Lejeune	NC	28547	(910) 451-5071
LIAN, David	Mill Creek Shopping Center	Carthage	NC	28327	(910) 246-0710
AYE, Naw A	2080 Kildaire Farm Rd.	Cary	NC	27518	(919) 233-9483
SANG, Paul Van Biak	7823 Colony Rd.	Charlotte	NC	28226	(704) 341-3688
OO, Myint Myint	8445 Davis Lake Parkway	Charlotte	NC	28269	(704) 597-7014
MUTAW, Kaw	9641 Brookdale Dr.	Charlotte	NC	28215	(704) 599-8449
NAING, Win Thein	5810 Prosperity Church Rd	Charlotte	NC	28269	(704) 875-0993
NAING, Win Thein	112 S. Sharon Amity Rd.	Charlotte	NC	28211	(704) 366-1675
NAING, Win Thein	8600 University City Blvd.	Charlotte	NC	28213	(704) 593-1395
LAW, Siu	13000 South Tryon St .	Charlotte	NC	28278	(704) 587-9970
CEU, William Vanbiak	9720 Rea Rd	Charlotte	NC	28277	(704) 752-1013
THANG, Kio Cin	3333 Pineville Matthews Rd.	Charlotte	NC	28226	(704) 544-3340
THANG, Kio Cin	6701 Morrison Blvd.	Charlotte	NC	28211	(704) 364-1245
KAP, Dal Khan	325 W. 6th St.	Charlotte	NC	28202	(704) 332-8479
MUNG, Cin Khan	4101 Park Rd.	Charlotte	NC	28209	(704) 523-8106
NAWL, Sang	4821 Berewick Town Center Dr.	Charlotte	NC	28278	(704) 587-1011
CIN, Lang Kai	2717 South Blvd	Charlotte	NC	28209	(704) 527-1018
Tha, Si Le	11135 Golf Links Dr.	Charlotte	NC	28277	(704) 303-8601
HNIANG, Ni	10616 Providence Rd.	Charlotte	NC	28277	7048492776
PAR, Biak C	4701 Smith Farm Rd	Charlotte	NC	28216	(704) 949-2220

AFC Food Service Counters  
Franchisee List  
as of March 31, 2024

Franchisee Name	Address	City	State	Zip	Phone
TUANG, Gin Lam	1000 Blythe Blvd	Charlotte	NC	28203	(704) 355-2000
THANG, Pau Min	16625 Lancaster Hwy	Charlotte	NC	28277	(704) 714-4795
TAKNAN, Cangawt	1015 Providence Rd.	Charlotte	NC	28207	(704) 338-9100
VUNG, Khup Sian	1227 East Blvd.	Charlotte	NC	28203	7043755071
HUAI, Don	8538 Park Rd.	Charlotte	NC	28210	(704) 552-7212
SUIZASIN, Veronica	7852 Rea Rd.	Charlotte	NC	28277	(704) 341-7657
REN, Youhang	2720 W Mallard Creek Church Rd	Charlotte	NC	28262	(704) 717-7501
SANG, Bawi Hnin	1704 Central Ave	Charlotte	NC	28205	(704) 375-8491
SI, Maung	4100 Carmel Rd.	Charlotte	NC	28226	(704) 542-6228
BAWI, Van	15007 John J Delaney Dr.	Charlotte	NC	28277	7047162000
PAR, No Than	5706 Wyalong Dr.	Charlotte	NC	28227	(704) 545-0229
HTOO, Kay Kaw	67 Flowers Crossroads Way	Clayton	NC	27527	(919) 359-9154
UK, Thawng	1245 Concord Pkwy North	Concord	NC	28025	(704) 795-9351
KERO, Bei	19815 N. Cove Rd.	Cornelius	NC	28031	(704) 895-5020
SOE, Saw Soe	11124 Renaissance Dr	Davidson	NC	28036	(704) 439-4042
OO, Thet	2800 Raeford Rd.	Fayetteville	NC	28303	9104846000
PAW, Naw Ka Nyaw	3571 Butner Rd	Fort Bragg	NC	28307	(910) 396-2316
NAING, Soe	3330 W. Friendly Ave.	Greensboro	NC	27410	(336) 297-1361
SOE, Kyaw	2100 Stantonsburg Road	Greenville	NC	27835	(252) 847-4405
DEEBAING, Khamlum	203 Alston Blvd.	Hampstead	NC	28443	(910) 329-0711
WAH, Naw Eh	Roosevelt Blvd. E Street	Havelock	NC	28533	(252) 466-0802
BAWI, Lian Cung	636 Spartanburg Hwy	Hendersonville	NC	28792	(828) 693-6668
CUNG, Zo Duh	265 Eastchester Dr.	High Point	NC	27262	(336) 869-6317
Hre, Billy Luai	9925 Rose Commons Dr.	Huntersville	NC	28078	(704) 875-9703
AUNGCHIT, Saw Shwe Hlahtun	7715 Regency Lake Dr.	Huntersville	NC	28078	(704) 892-1197
AUNGCHIT, Saw Shwe Hlahtun	9759 Sam Furr Rd.	Huntersville	NC	28078	(704) 895-2594
WIN, Ko Swe	6610 OLD MONROE RD	Indian Trail	NC	28079	(704) 289-1156
SAY, Lah	4055 Curtis Rd	Jacksonville	NC	28545	(910) 449-6395
KYI, Le Le	2021 Old Regent Way	Leland	NC	28451	(910) 371-3944
CEU, William Vanbiak	13639 Providence Rd.	Matthews	NC	28105	(704) 847-5955
CING, Khawf Za	1351 Chestnut Lane	Matthews	NC	28104	(704) 234-0405
VUNG, Don Lam	5920 Weddington-Monroe Rd	Matthews	NC	28104	(704) 843-4100
HTAY, Hninu	7800-J, Stevens Mill RD	Matthews	NC	28104	(704) 882-2749
HTAY, Hninu	3100 Weddington Rd	Matthews	NC	28105	(704) 841-1810
REM, Ngun Zung	15080-P Idlewild Rd	Matthews	NC	28104	(704) 882-2277
KHUP, Huat Za	7036 Brighton Park Dr	Mint Hill	NC	28227	(704) 545-3281
PYINAE, Pohsar	118 Argus Lane	Mooresville	NC	28117	(704) 799-2004
OO, Saw Peter	134-11 Town Center Dr.	Mooresville	NC	28117	(704) 799-1066
UK, Sang	5000 US Hwy 70	Morehead City	NC	28557	(252) 240-3742
RALTE, Zothan Sanga	3565 M L King Jr Blvd	New Bern	NC	28562	(252) 514-0060
NOUNG, Saw Noung	Harris Teeter, 2032 Waterscape Way	New Bern	NC	28562	(252) 631-5226
SUN, Roni Stewart	305 Ivey Lane	Pinehurst	NC	28374	(910) 255-0104
AYE, Naw A	2603 Glenwood Ave	Raleigh	NC	27608	(919) 787-5526
SAILO, Biakhnuna	4221 Corners Pkwy	Raleigh	NC	27617	(919) 596-5399
KI, Lai Mang	9600 Falls of Neuse Rd.	Raleigh	NC	27615	(919) 676-6614
DARA, Thoon	120-100 St. Albans Drive	Raleigh	NC	27609	(919) 781-4165
MYINT, Khin Than	500 Oberlin Rd.	Raleigh	NC	27605	(919) 828-9216
PAO, Hem Len	850 Jake Alexander Blvd W	Salisbury	NC	28144	(704) 633-1658
NAING, Soe	1310 Edwards St.	Seymour Johnson AFB	NC	27534	(919) 722-0321
KIM, Sun Nam	8157 Kensington Dr.	Waxhaw	NC	28173	(704) 243-1238
LIN, Popwe	820 S. College Rd.	Wilmington	NC	28403	(910) 452-9242
ZAW, Maung Maung	2800 S College Road	Wilmington	NC	28412	(910) 791-4505
NYUNT, Hein Zaw	5920 Caroline Beach Rd.	Wilmington	NC	28412	(910) 796-3091
AYE, Ma Myat Myat	6805 Parker Farm Dr.	Wilmington	NC	28405	(910) 256-1071
THAWM, Ngun	1940 Eastwood Rd.	Wilmington	NC	28403	(910) 256-2015

AFC Food Service Counters  
Franchisee List  
as of March 31, 2024

Franchisee Name	Address	City	State	Zip	Phone
THU, Kyaw	3860 Carolina Beach Rd	Wilmington	NC	28412	(910) 444-0241
TUN, Nay Myo Han	8260 Market Street	Wilmington	NC	28411	(910) 681-0571
MYINT, Htay Htay	3501 Oleander Drive	Wilmington	NC	28403	(910) 343-4216
VENA, Van Lal	1955 N. Peace Haven Rd.	Winston-Salem	NC	27106	(336) 760-0116
MON, Nai Lawi	360 Missile Ave Bldg 346	Minot AFB	ND	58705	(312) 453-4322
ZEL, Hram	3614 Twin Creek Drive	Bellevue	NE	68123	(402) 292-3992
ZEL, Hram	801 Galvin Rd S	Bellevue	NE	68005	(402) 292-7070
KARENG, Roitawng	101 Meyer Ave	Offutt AFB	NE	68113	(402) 294-6783
FAM, Ngun Tha	12025 West Center Road	Omaha	NE	68144	(402) 334-5290
HI, Ngun	505 N 155th Plz	Omaha	NE	68154	(402) 498-5717
CEU, Siang	17370 Lakeside Hills Plz	Omaha	NE	68130	(402) 333-2454
IANG, Sui Tha	4405 N 72nd St	Omaha	NE	68104	(402) 571-3057
IANG, Sui Tha	5555 North 90th Street	Omaha	NE	68134	(402) 571-6850
SUNG, Bawi Tha Hnem	7312 N 30th St	Omaha	NE	68112	(405) 451-7070
SUNG, Bawi Tha Hnem	888 S Saddle Creek Rd	Omaha	NE	68106	(402) 551-0613
UK, Sang	13250 W Maple Rd	Omaha	NE	68164	(402) 496-9200
LWIN, Khun Nay Myo	45 South Park Street	Hanover	NH	03755	(603) 643-2667
OO, Sann Tun	12 Centerra Pkwy	Lebanon	NH	03766	(603) 643-4889
DINGZHEN WANGDUI, FNU	370 Miracle Mile Road	Lebanon	NH	03766	(603) 448-3970
DINGZHEN WANGDUI, FNU	285 Plainfield Road	West Lebanon	NH	03784	(603) 298-9670
HTUT, Jeffrey Kaung	3453 Broidy R.	McGuire AFB	NJ	08641	(609) 754-2153
KO, Minn Ko	675 East 10th Street	Alamogordo	NM	88310	(575) 437-5150
SAZUL, Lian Bik	1300 10th St	Alamogordo	NM	88310	(575) 488-1200
SAWKO, Myat	4950 Montgomery N.E.	Albuquerque	NM	87109	(505) 883-8706
MUNG, Sian Khan	7101 Wyoming Blvd NE	Albuquerque	NM	87109	(505) 821-9655
CEU, Tha	10131 Coors Rd	Albuquerque	NM	87114	(505) 897-3884
OO, Shwe Zin	2801 S. EUBANK BLVD NE	ALBUQUERQUE	NM	87112	(505) 298-7571
NGE, Nu Nu	11825 Lomas N.E.	Albuquerque	NM	87112	(505) 293-9280
NGE, Nu Nu	8100 Ventura st NE	Albuquerque	NM	87122	(505) 822-8383
NGE, Nu Nu	12200 Academy Rd NE	Albuquerque	NM	87111	(505) 275-7000
GABRIEL, Christopher Ngwe Soe	2910 Juan Tabo Blvd NE	Albuquerque	NM	87112	(505) 299-3800
CHA, Hoon	7801 Gibson Blvd.	Albuquerque	NM	87117	(505) 846-4902
AUGUSTIN, Sa	6200 Coors Blvd NW	Albuquerque	NM	87120	(505) 897-1800
OO, Khin Thetmar	701 11th Street NW	Albuquerque	NM	87102	(505) 247-8399
HLA, Nang	102 Levttow Ave	Cannon AFB	NM	88103	(575) 784-4330
SIAKHEL, Khin Maungthui	202 West Church St.	Carlsbad	NM	88220	5758852161
SAZUL, Ngun Tinlian	2402 North Grimes St.	Hobbs	NM	88240	5753924514
Mang, Dawt Ceu	751 New Mexico Ave	Holloman AFB	NM	88330	(575) 572-5127
MANG, Kam Lian	2551 E. Lohman	Las Cruces	NM	88011	5755219837
MIN, Nyi Nyi	2351 Main Street S.E.	Los Lunas	NM	87031	(505) 865-3313
SAWKO, Myat	4300 Ridgcrest Drive	Rio Rancho	NM	87124	(505) 892-0122
LIN, Tun Tun	7800 Enchanted Hills	Rio Rancho	NM	87144	(505) 771-7082
SAZUL, HLAH	1110 S. Main St.	Rosewell	NM	88203	(505) 623-9300
HMUNG, Kep	721 Mechem Drive	Ruidoso	NM	88345	5752574014
HTIKE, Zin Lin	3542 Zafarano Dr	Santa Fe	NM	87507	(505) 471-2914
HTIKE, Zin Lin	3001 S Saint Francis Dr	Santa Fe	NM	87505	(505) 992-8638
AUGUSTIN, Sa	600 N Guadalupe St	Santa Fe	NM	87501	(505) 982-4806
THANT, Sai Aung	710 A Paseo Del Pueblo Sur	Taos	NM	87571	(575) 758-1250
LWIN, KyawMyo	45 E. Horizon Ridge Parkway	Henderson	NV	89012	7025583966
MIN, TED AUNG	6730 N. Hualapai Way	Las Vegas	NV	89149	7026704942
YANG, DONGHYUN	3339 Las Vegas Blvd	Las Vegas	NV	89109	(702) 369-8166
Kim, Sung Ho	7975 Blue Diamond Road	Las Vegas	NV	89178	(702) 614-4221
LWIN, KyawMyo	475 E Windmill Ln	Las Vegas	NV	89123	(702) 896-7544
LIAN, Sang Ceu	4200 Mountain Home St	Nellis AFB	NV	89191	7026325500
HMINE, Sai Naw	10101 Double R Blvd	Reno	NV	89521	(775) 982-4100

AFC Food Service Counters  
Franchisee List  
as of March 31, 2024

Franchisee Name	Address	City	State	Zip	Phone
THANG, Moug	1060 Madison Ave	Albany	NY	12208	(518) 438-6241
MYINT, Myo	911 Central Ave	Albany	NY	12206	(518) 482-0280
AUNG, Nwe Nwe	43 New Scotland Ave.	Albany	NY	12208	(518) 262-3125
HTUN, Win Min	113 Holland Avenue	Albany	NY	12209-3410	(518) 626-5000
KEE, Moug	1892 Central Ave	Albany	NY	12205	(518) 456-9314
THIRI, Yamin	40 Delaware Avenue	Albany	NY	12210	(518) 465-2603
TUN, Zaw Lin	9660 TRANSIT ROAD	AMHERST	NY	14051	(716) 515-3510
SAN, May	141 Sanford Farm Plaza	Amsterdam	NY	12010	(518) 843-0056
BAW, NI	33 Chenango Bridge Road	Binghamton	NY	13901	(607) 235-7240
BAW, NI	10 Glenwood Avenue	Binghamton	NY	13905	(607) 770-7151
LWIN, Nu Nu	115 White Ave	Brooklyn	NY	11252	(718) 630-4960
LIAN, Mang	2101 ELMWOOD AVENUE	BUFFALO	NY	14207	(716) 515-0050
ZAR, Htat Yar	71 NELSON STREET	CAZENOVIA	NY	13035	(315) 655-4565
AUNG, Naing W.	860 Route 11	Champlain	NY	12919	(518) 298-4200
TUN, Zaw Lin	3865 UNION ROAD	CHEEKTOWAGA	NY	14225	(716) 684-5927
AWI, Lian Cung	5701 E. Circle Drive	Cicero	NY	13039	(315) 458-2056
WANG, Yu Yan	15 Park Ave	Clifton Park	NY	12065	(518) 371-9107
MYINT, Win	1028 Route 146	Clifton Park	NY	12065	(518) 371-6155
SOE, Myo Min Min	240 Congress Street	Cohoes	NY	12047	(518) 237-6050
TIN HLA, Kyu Kyu Mar	6914 ERIE ROAD	Derby	NY	14047	(716) 947-4019
TIN HLA, Kyu Kyu Mar	3955 VINEYARD DRIVE	Dunkirk	NY	14048	(716) 366-2050
Win, Pwint Su Wai	65 GREY STREET	EAST AURORA	NY	14052	(716) 655-3206
ZAR, Htat Yar	350 Towne Dr.	Fayetteville	NY	13066	(315) 637-8039
MYINT, Zaw Zaw	10730 C Enduring Freedom Dr.	Fort Drum	NY	13602	(315) 772-7457
KAI, Ngun	354 Broadway	Fort Edward	NY	12828	(518) 832-6236
LY, Chan	12 West 1st Street South	Fulton	NY	13069	(315) 598-4000
MYO, Khine	2614 Route 66	Ghent	NY	12034	(518) 392-9007
THIRI, Yamin	329 Glenmont Road	Glenmont	NY	12077	(518) 433-4700
SAN, May	358 North Main Street	Gloversville	NY	12078	(518) 775-1464
LIAN, Mang	2140 Grand Island Blvd	Grand Island	NY	14072	(716) 775-1138
TUN, Han	3507 MT. READ BLVD	Greece	NY	14616	(585) 663-4400
THANG, Moug	1706 Western Ave	Guilderland	NY	12203	(518) 456-0403
KEE, Moug	2080 Western Ave	Guilderland	NY	12084	(518) 456-5115
MYINT, Khaing Maung	6150 SOUTH PARK AVE	HAMBURG	NY	14075	(716) 515-3300
NEYIN, Chan	241 North Comrie Ave	Johnstown	NY	12095	(518) 762-8981
SWE, Kyi Kyi	873 New Loudon Road	Latham	NY	12110	(518) 782-0441
LIAN, Mang	906 Center Street	Lewiston	NY	14902	(716) 215-1350
AWI, Lian Cung	3863 State Route 31	Liverpool	NY	13090	(315) 622-6008
NRAW KAWNG, Mung Hkyen La	475 Albany-Shaker Road	Loudonville	NY	12211	(518) 459-8720
HMUNG, Matthew Hramcin	1 Kendall Way	Malta	NY	12020	(518) 899-2438
ZAR, Htat Yar	119 WEST SENECA STREET	MANLIUS	NY	13104	(315) 682-7261
WANG, Yu Yan	1 Price Chopper Plaza	Mechanicville	NY	12118	(518) 664-1112
OO, Saw Aung Lin	4535 Commercial Drive	New Hartford	NY	13413	(315) 736-8376
MOE, Aung Maw	115 Temple Hill Rd	New Windsor	NY	12553	(845) 565-8637
WIN, Tin	1430 Broadway, Frnt. 1	New York	NY	10018	(212) 768-0201
WIN, Tin	625 8th Ave	New York	NY	10018	(212) 273-0889
NAING, Ye Myint	24 E. 101 Street	New York	NY	10029	(212) 241-6500
MOE, Aung Maw	39 N Plank Road	Newburgh	NY	12550	(845) 569-2620
LIAN, Mang	301 Meadow Dr	North Tonawanda	NY	14120	(716) 743-4350
RAJA, FNU	981 Ford St Ext	Ogdensburg	NY	13669	(315) 393-7153
CHERMP, Manuel	142 Genesee Street	Oneida	NY	13421	(315) 363-8927
LY, Chan	137 State Route 104	Oswego	NY	13126	(315) 342-0571
AUNG, Naing W.	19 Centre Drive	Plattsburg	NY	12901	(518) 562-3560
KAI, Ngun	677 Upper Glen Street	Queensbury	NY	12804	(518) 792-7456
MYO, Khine	501 Columbia Turnpike	Rensselaer	NY	12144	(518) 479-4380

AFC Food Service Counters  
Franchisee List  
as of March 31, 2024

Franchisee Name	Address	City	State	Zip	Phone
TUN, Han	1601 PENFIELD ROAD	Rochester	NY	14625	(585) 264-0820
CHERP, Manuel	1790 Black River Blvd	Rome	NY	13440	(315) 337-5086
VICO, Justin	115 Ballston Ave	Saratoga	NY	12866	(518) 580-9172
JIANG, Jian Qing	3045 RT 50	Saratoga Springs	NY	12866	(518) 583-7551
VICO, Justin	19 J.F. King Drive	Saratoga Springs	NY	12866	(518) 581-2181
NRAW KAWNG, Mung Hkyen La	1879 Altamont Ave	Schenectady	NY	12303	(518) 357-4050
WANG, Han	1640 Easter Parkway	Schenectady	NY	12309	(518) 372-6553
WANG, Han	442 Balltown Road	Schenectady	NY	12304	(518) 346-0182
SOE, Khaing	290 Saratoga Road	Scotia	NY	12302	(518) 399-4011
MYINT, Myo	1395 New Scotland Road	Slingerlands	NY	12159	(518) 478-0688
ZAR, Htat Yar	620 NOTTINGHAM ROAD	SYRACUSE	NY	13224-2234	(315) 446-1652
AWI, Lian Cung	4713 ONONDAGA BLVD	Syracuse	NY	13219	(315) 472-3812
PHOBYA, Shiphe	2515 Erie Blvd East	Syracuse	NY	13224	(315) 449-2314
NRAW KAWNG, Mung Hkyen La	79 Vanderburg Ave	Troy	NY	12180	(518) 459-8720
SOE, Myo Min Min	716 Hoosick Road	Troy	NY	12180	(518) 266-9035
OO, Saw Aung Lin	1917 Genesee Street	Utica	NY	13501	(315) 732-1031
OO, Saw Aung Lin	50 Auert Ave	Utica	NY	13501	(310) 732-0507
NAING, Ye Myint	100 Woods Road	Valhalla	NY	10595	(914) 493-1407
SWE, Kyi Kyi	515 19th Street	Watervliet	NY	12189	(518) 271-7446
WIN, Zinmar Phyu	BLdg #1200	West Point	NY	10996	(845) 938-3663
Win, Pwint Su Wai	355 ORCHARD PARK RD.	West Seneca	NY	14224	(716) 517-3000
THANG, Tawk Za	234 Goodman Street	Cincinnati	OH	45219	(513) 584-1000
LEONG, Thandar	4450 Eastgate S. Blvd	Cincinnati	OH	45245	(513) 674-6000
SAR, Hong	9500 Euclid Ave	Cleveland	OH	44195	(216) 444-2200
Mang, Van Tawk	2130 Sycamore St.	Dayton	OH	45433	(937) 257-3592
LATT, Khin Maung	5440 Dixie Hwy.	Fairfield	OH	45014	(513) 674-6046
OO, Thant Zin	205 S 1st St	Altus	OK	73523	5804817397
MANG, Vungh Mung	1719 Macomb Road	Fort Sill	OK	73503	5804422305
MUNG, John	12200 S. Waco Ave.	Glenpool	OK	74033	(918) 299-8030
LIAN, Heaven Thapeng	825 Stanton L Young Blvd	Oklahoma City	OK	73104	(405) 271-4700
LIAN, Heaven Thapeng	1000 N Lee Ave.	Oklahoma City	OK	73102	4052727000
PU, Tuang	3250 Air Depot Blvd	Tinker AFB	OK	73145	4057345965
Aung, Han Kho	1990 14th Ave. SE	Albany	OR	97322	(541) 812-2380
LI, Yafei	585 Siskiyou Blvd	Ashland	OR	97520	(541) 482-7777
PAITECHA, Orawan	1800 NE 3rd Street	Bend	OR	97701	(541) 382-3661
YUTJAROEN, Daungporn	2650 NE Hwy 20	Bend	OR	97701	(541) 383-6500
YUTJAROEN, Daungporn	320 W. Century Drive	Bend	OR	97702	(541) 389-0085
NAING, Tun Tun	1121 NW Newport Ave	Bend	OR	97703	(541) 382-3940
AWNG, Gum San	5270 SW Philomath	Corvallis	OR	97333	(541) 738-2100
PI, Hon	138 W. Ellendale	Dallas	OR	97338	(503) 831-6000
AUN, Maung Tak	3333 W 11th Ave.	Eugene	OR	97402	(541) 484-4200
VATH, Linda	60 Division Avenue	Eugene	OR	97404	(541) 461-1400
RAM, Phong	145 E. 18th Avenue	Eugene	OR	97401	(541) 485-5051
AUNG, Zaw Min	4701 Highway 101	Florence	OR	97439	(541) 902-7300
TONG, Yaxin	1101 Grants Pass Pkwy	Grants Pass	OR	97526	(541) 474-7200
SING, Khai Muan	4990 river Rd North	Keizer	OR	97303	(503) 390-8810
LIAN, Thang Thang	3957 Stuardvant Ave	Klamath Falls	OR	97603	(541) 884-1086
KU, Say	4101 Logan Road	Lincoln City	OR	97367	(541) 994-8667
MUSSER, Zoie	1301 Center Dr.	Medford	OR	97501	(541) 857-4650
CONG, Lin	2424 Crater Lake Hwy	Medford	OR	97504	(541) 779-6158
NAULAK, Gin Pian Sang	14840 SE Webster Rd.	Milwaukie	OR	97267	(503) 303-1071
CHENNI, Nadda A.	150 NE 20th St	Newport	OR	97365	(541) 265-4581
NYOI, Ze	1735 Virginia Ave	North Bend	OR	97459	(541) 751-7000
RODRIGUEZ-LOPEZ, Victor Manuel	1705 South Highway 97	Redmond	OR	97756	(541) 504-4160
CHAN, Phally Khon	929 NW Garden Valley Blvd	Roseburg	OR	97470	(541) 957-3034

AFC Food Service Counters  
Franchisee List  
as of March 31, 2024

Franchisee Name	Address	City	State	Zip	Phone
THANG, Joseph	5660 Commercial St SE	Salem	OR	97306	(503) 364-4192
NAING, Nyi	1455 Edgewater NW	Salem	OR	97304	(503) 365-2170
KYAW ZIN, Min	3450 Commercial St. S.E.	Salem	OR	97302	(503) 585-7663
ZAW, Nyi Nyi	160 S Fir St,	Sisters	OR	97759	(541) 549-0711
OO, Aung Ye	5755 Main St.	Springfield	OR	97478	(541) 746-1653
ZAW, Nyi Nyi	8431 11th Street	Terrebonne	OR	97760	(541) 382-3940
YUAN, Li Q	1200 South Cedar Crest Blvd.	Allentown	PA	18105	(610) 402-8000
CAI, Yingchao	2400 Chew Street	Allentown	PA	18104	(484) 664-3100
NAING, Win	1228 O'Neill Highway	Dunmore	PA	18512	(570) 346-4538
LIAN, Henry Hrang	500 University Drive	Hershey	PA	17033	(717) 531-8521
PENG, Van	3400 Spruce St.	Philadelphia	PA	19104	(215) 662-2155
PENG, Van	1 Convention Ave	Philadelphia	PA	19104	(215) 662-4000
ASSER, Michael	4401 Penn Ave	Pittsburgh	PA	15224	(412) 692-5325
NAING, Win	1510S Main Ave	Taylor	PA	18504	(570) 969-4920
NAING, Win	245 Wilkes Barre Township Blvd	Wilkes Barre	PA	18702	(570) 825-0830
NAING, Win	1026 Wyoming Ave	Wyoming	PA	18644	(570) 693-3997
SANG, Guowet Willie	689 N Terminal Road	Fort Buchanan	PR	00934-4576	(787) 707-2078
LYNN, Tin	186 County Rd	Barrington	RI	02806	(401) 245-5882
NGE, Htay Htay	23 Coventry Shoppers Park	Coventry	RI	02818	(401) 615-9975
SHADAU, Dinu	550 Pontiac Ave.	Cranston	RI	02910	(401) 270-0887
MA, Kimberly Paochen	2077 Diamond Hill Road	Cumberland	RI	02864	(401) 333-7979
SOE, Nang Ohmar	1000 Division Rd	East Greenwich	RI	02818	(401) 558-0190
LYNN, Tin	71 East Main Rd.	Middletown	RI	02842	(401) 848-7560
HTUN, Sai Swan	1163 Whipple St.	Newport	RI	02841	(401) 841-2111
NYI, Nyi	125 Tower Hill Road	North Kingstown	RI	02852	(401) 268-3991
KYUE, Hla Myint	105 Gate Road	North Kingstown	RI	02852	(401) 295-0019
MA, Kimberly Paochen	371 Putnam Pike	Smithfield	RI	02917	(401) 231-1620
MA, Kimberly Paochen	4 Cedar Swamp Rd	Smithfield	RI	02917	(401) 231-1620
HPAU JAN, Brang Saing	18 Airport Road	Warwick	RI	02889	(401) 738-8300
HPAU JAN, Brang Saing	2574 West Shore Rd	Warwick	RI	02889	(401) 737-5860
MANG, Pum L.	165 Ashley Ave	Charleston	SC	29425	(843) 792-2300
TUNE, Joseph	290 East Bay St.	Charleston	SC	29401	(843) 722-6821
TUNE, Joseph	3865 West Ashley Circle	Charleston	SC	29414	(843) 619-2901
KHAI, Hau Sian	1985 Folly Rd.	Charleston	SC	29412	(843) 762-6255
THWIN, Myo	675 Folly Rd.	Charleston	SC	29412	(843) 406-8977
THWIN, Myo	1005 Harbor View Rd	Charleston	SC	29412	(843) 762-2124
SENG, Ah Ba	975 Savannah Hwy Suite 135	Charleston	SC	29407	(843) 556-5351
PENG, Tluang	1812 Sam Rittenberg Blvd	Charleston	SC	29407	(843) 763-7283
ZAW, Khoung Hlut	1739 Maybank HWY	Charleston	SC	29412	(843) 795-9091
MADONGTEI, Rebecca	103 Lawson Drive	Charleston AFB	SC	29404	(843) 963-7469
LAI, Maung	1930 W Palmetto Street	Florence	SC	29501	(843) 678-9525
HRANG, Lian	4716 Commissary Way	Fort Jackson	SC	29207-6060	(803) 751-5789
CEU, Tluang	500 Mercantile Place	Fort Mill	SC	29715	(803) 547-0520
KIM, Lai Ruat	867 Stockbridge Dr.	Fort Mill	SC	29708	(803) 548-6612
MUNG, Pau Khat	1750 Hwy 160 West	Fort Mill	SC	29708	(803) 396-0440
MADONGTEI, Rebecca	1797 Redbank Road	Goose Creek	SC	29445	(843) 794-2020
LAL, Biaktin Sung	1720 Augusta St.	Greenville	SC	29605	(864) 977-8041
PIANG, Steven	100 Wade Hampton Blvd	Greenville	SC	29609	(864) 900-6150
LAL, Biaktin Sung	2015 Old Spartanburg Rd	Greer	SC	29650	(864) 584-7301
SUNG, Dawt Len	310 Main St.	Hilton Head	SC	29926	(843) 689-6255
HMUNG, Lai Zalian	33 Office Park Rd.	Hilton Head	SC	29928	(843) 785-6185
SI, Maung	6271 Carolina Commons Dr.	Indian Land	SC	29707	(803) 802-5300
KHENGLAWT, Katherine Biakhleizing	1513 Palm Blvd	Isle of Palms	SC	29451	(843) 886-6506
THANG, Duh Nei	515 Freshfield Dr	Johns Island	SC	29455	(843) 243-3276
MOIA, Zothan	1981 Riviera Dr	Mt Pleasant	SC	29464	(843) 881-8939

AFC Food Service Counters  
Franchisee List  
as of March 31, 2024

Franchisee Name	Address	City	State	Zip	Phone
SUANG, Cin Mung Mun	1220 Ben Sawyer Blvd	Mt Pleasant	SC	29464	(843) 884-4489
KHENGLAWT, Katherine Biakhleizing	920 Houston Northcutt Blvd.	Mt. Pleasant	SC	29464	(843) 881-1983
LIAN, Zuni	620 Long Point Rd.	Mt. Pleasant	SC	29464	(843) 856-4631
MOIA, Zothan	2195 Tea Planter Lane	Mt. Pleasant	SC	29466	(843) 881-2622
BIK, Thawng Tha	2035 Hwy 41	Mt. Pleasant	SC	29466	(843) 971-3611
Khun, Hniang	BUILDING 407 WAKE BOULEVARD	Parris Island	SC	29905	(843) 228-2383
CING, Niang Khan	2750 Celanese Rd.	Rock Hill	SC	29732	(803) 329-6220
BIK, Van	531 Shaw Drive	Shaw AFB (Columbia)	SC	29152-5033	(803) 895-1294
KUNG, Hniang	680 Bacon Bridge Rd.	Summerville	SC	29485	(843) 486-0578
KIP, Thang	9500 Dorchester Rd	Summerville	SC	29485	(843) 875-2524
SANG, Thang Sian Muan	2649 LeMay Blvd.	Ellsworth AFB	SD	57706	(605) 385-5056
MYINT, Cho Cho	1516 E. St. Patrick St	Rapid City	SD	57703	(605) 343-4326
MYINT, Cho Cho	751 Mountain View Rd	Rapid City	SD	57702	(605) 399-1377
YANG, Hong	1 Medical Park Blvd	Bristol	TN	37620	(423) 341-7129
LIN, Yen-Hsiang	4666 Nashville Hwy.	Chapel Hill	TN	37034	(931) 364-7315
LAL, Thang Sian	975 East 3rd Street	Chatanooga	TN	37403	(423) 778-7000
LAL, Thang Sian	1755 Gunbarrel RD	Chatanooga	TN	37421	(423) 680-8000
Win, Shwe Yee	620 Skyline Drive	Jackson	TN	38301	(731) 541-5000
KHUP, Pau Khan	300 Med Tech Pkwy.	Johnson City	TN	37604	(423) 302-1000
KHUP, Pau Khan	400 N State of Franklin Rd	Johnson City	TN	37604	(423) 431-6111
LIN, Huiyu	877 Jefferson Ave	Memphis	TN	38013	(901) 545-7100
MUNG, Cin Sian	3975 Airways Blvd	Memphis	TN	38116	(901) 922-1666
THANG, Mung Vum	5229 VETERANS PKWY	MURFREESBORO	TN	37128-4377	(800) 242-1227
MANG, Rebeccaex Khuat	4220 Harding Pike	Nashville	TN	37205	(615) 222-2111
PIANG, Theng Kual Kim	Ascension Saint Thomas Midtown 2000 Church Street	Nashville	TN	27203	(615) 284-5555
BAWI, Van Dawtpeng	4450 Buffalo Gap Road	Abilene	TX	79606	3256955300
LWIN, Maung Maung	2160 Pine Street	Abilene	TX	79601	3256736361
THA, Van Cer	1095 Judge Ely Blvd	Abilene	TX	79601	(325) 677-8527
THA, Van Cer	3301 S. 14th St.	Abilene	TX	79605	(325) 698-9391
THAMOTSHU, Paipi	5807 SW 45th #100	Amarillo	TX	79109	(806) 353-9700
MI, Nai S.	3552 South Soney Road	Amarillo	TX	79119	(806) 467-6800
THANG, Cung Lian	5401 PARK SPRINGS BLVD	Arlington	TX	76017	8174668217
LIAN, Za	2755 N. Collins	Arlington	TX	76006	(817) 276-5360
SIAM, NANG SIAN	2611 West Park Row	Arlington	TX	76013	(817) 462-0151
GUALNAM, Tuang Donggel	701 East Parmer Lane	Austin	TX	78753	(512) 670-1167
GUALNAM, Tuang Donggel	12100 Samsung Blvd	Austin	TX	78754	(512) 672-1000
TOE, Nan Shwe Mye	11500 N Mopac Expy	Austin	TX	78759	(512) 291-6192
TOE, Nan Shwe Mye	1 Tesla Rd.	Austin	TX	78725	(512) 516-8177
BOIH, Zam	6230 E Stassney Ln.	Austin	TX	78744	(512) 416-2183
LIAN, Van	5145 North FM 620 Road	Austin	TX	78732	(512) 266-3168
THAW, Eh Dow	9911 Brodie Lane	Austin	TX	78745	(512) 282-5720
THAW, Eh Dow	2727 Exposition Blvd	Austin	TX	78703	(512) 477-7196
THAW, Eh Dow	3300 Bee Caves Rd.	Austin	TX	78746	(512) 329-7400
SUNG, Zung	480 Northwest Pkwy	Azle	TX	76020	(817) 270-1116
HOM, Nang San	1400 Cypress Creek Rd	Cedar Park	TX	78613	(512) 506-9118
THANG, SUI	4000 Glade Road	Colleyville	TX	76034	(817) 354-0505
HEI, Nawn	4351 FM 2181	Corinth	TX	76210	(940) 321-4358
TIO-HLEI, Elizer	5909 Harry Hines	Dallas	TX	75235	2146450141
KHAM, Simon	320 Casa Linda Plaza	Dallas	TX	75218	2143197919
KHAM, Simon	7331 Gaston Avenue	Dallas	TX	75214	(972) 201-2500
LIAN, Sung Zi	18212 Preston Rd	Dallas	TX	75252	(972) 985-2240
SHI, Li	10455 N Central Expwy	Dallas	TX	75231	(214) 369-9694
SHI, Li	8698 Skillman St.	Dallas	TX	75243	(214) 340-1266
THANG, Francis	3500 Gaston Ave.	Dallas	TX	75246	(214) 820-0111
THANG, Francis	3500 Gaston Ave.	Dallas	TX	75246	(214) 820-0111

AFC Food Service Counters  
Franchisee List  
as of March 31, 2024

Franchisee Name	Address	City	State	Zip	Phone
THANG, Francis	3500 Gaston Ave	Dallas	TX	75246	(214) 820-0111
SUNG, Bawi Tha Chin	4625 Frankford Road	Dallas	TX	75287	(972) 732-6291
CHIN, Zerobe Dawt Sung	4001 Villanova St.	Dallas	TX	75225	(214) 368-8636
CHIN, Zerobe Dawt Sung	7700 W. Northwest Hwy	Dallas	TX	75225	(214) 346-1020
SUNG, Cinthluai	5200 Harry Hines Blvd.	Dallas	TX	75235	(214) 590-8000
THAWNG, Van Mang	1441 North Beckley Ave	Dallas	TX	75203	(214) 947-0000
PAR, Sui Tin	14999 Preston Rd.	Dallas	TX	75254	(972) 789-6950
LIAN, Za	3878 Oak Lawn Ave	Dallas	TX	75219	(972) 560-0233
THAI, Cer	6333 East Mockingbird Ln	Dallas	TX	75214	(214) 824-1265
THAI, Cer	522 Royal Lane	Dallas	TX	75230	(214) 363-7685
DIM, Bawi Hoi	3757 Forest Lane	Dallas	TX	75244	(972) 241-4426
N'HPANG, Mung Awng	2321 West University Drive	Denton	TX	76201	9403832391
LWIN, Maung Maung	250 Commissary Rd. Bldg.734	Dyess AFB	TX	79607	3256964802
THANG, Biak Ceu	11320 Montwood Dr	El Paso	TX	79936	(915) 855-9761
SANG, Lal Lian	5200 Montana Ave	El Paso	TX	79912	(915) 778-8996
THAWNG, Van Ram	3150 N. Zaragoza Rd.	El Paso	TX	79938	(915) 995-3595
MAYIT, Dauhkawng	1620 Pike Rd.	El Paso	TX	79906	(915) 568-6688
NI, Van	2200 N Yarbrough Dr	El Paso	TX	79925	(915) 591-9477
LIAN, Van Peng	10765 Kenworthy	El Paso	TX	79924	(915) 821-2006
THANG, Henry Zalian	3100 Mesa Street	El Paso	TX	79902	(915) 351-1002
SAZUL, Myo Aung	5630 N. Desert Blvd	El Paso	TX	79912	(915) 845-5069
WIN, Tun	7022 North Mesa Street	El Paso	TX	79912	(915) 584-9460
KHUN, Tha	85020 Warrior Way & 10th St.	Fort Hood	TX	76544	(254) 287-8025
ENG, Sui	2405 Funston Rd.	Fort Sam Houston	TX	78234	(210) 221-4678
LIAN, Hau Suan	1 Lockheed Martin blvd	Fort Worth	TX	76108	(310) 535-3500
LIAN, Than	6201 South Freeway	Fort Worth	TX	76134	(817) 293-0450
LIAN, Than	3100 S. Hulen St.	Fort Worth	TX	76109	(817) 570-2950
SUNG, Zung	4400 Western Center Blvd	Fort Worth	TX	76137	(817) 232-2180
CEU, Moly	1301 Pennsylvania	Fort Worth	TX	76104	(817) 250-2000
SUNG, Kil Hnem	9300 Clifford St.	Fort Worth	TX	76108	(817) 246-3366
RAM, Zi	7400 Oakmont Blvd	Fort Worth	TX	76132	(817) 423-9569
SIAM, NANG SIAN	850 E Loop 820	Fort Worth	TX	76112	8174510306
SUNG, Nomi Biak Nawn	6308 Lake Worth Blvd	Fort Worth	TX	76135	8172378124
SANG, Tawt Hlei	4440 American Blvd	Fort Worth	TX	76155	(800) 290-3433
DIM, Bawi Hoi	2645 Arapaho Rd	Garland	TX	76044	(972) 495-9807
HKAWNG, Visit	5721 Williams Drive	Georgetown	TX	78633	(512) 942-6028
CIAKIP, Tluang Hnin	110 Valiant Street	Goodfellow AFB	TX	76908	3256532441
SANG, WILLIAM	302 South Park Blvd	Grapevine	TX	76051	(817) 481-5669
THANG, Peng Lian	3060 FM 407	Highland Village	TX	75077	(972) 317-4951
LASHI, Lum Awng	14610 Memorial Drive	Houston	TX	77079	(281) 497-0630
LASHI, Lum Awng	12850 Memorial Dr. #1000	Houston	TX	77024	(713) 365-6700
LASHI, Lum Awng	5586 Wesleyan	Houston	TX	77005	(713) 668-4778
HNEM, Sui Za	6565 Fannin Street	Houston	TX	77030	(713) 790-2571
DOI, Htoi San	4800 West Bellfort St.	Houston	TX	77035	(713) 721-0011
DOI, Htoi San	1400 Pressler St	Houston	TX	77030	(713) 792-2121
MANG, Peng Uk	2225 Louisiana St.	Houston	TX	77002	(713) 331-1042
AUNG, Nan Thiri	9660 Westheimer Road	Houston	TX	77063	(713) 782-0982
LAYMAY, Peter	3131 W. Holcombe Blvd.	Houston	TX	77025	(713) 349-2150
HAN, Soe C.	5161 San Felipe #200	Houston	TX	77056	(713) 964-3150
LAHPAI, Zau Doi	2801 EAST INTERSTATE 20	Hudson Oaks	TX	76087	(817) 599-7490
SIAM, NANG SIAN	612 Grapevine Hwy	Hurst	TX	76054	(817) 428-0383
CING SEN, Mary	525 South Fry Road @ I-10	Katy	TX	77450	(281) 579-3890
HLAWNG CEU, Siang Tin Thai	50001 Bldg	Killeen	TX	76544	(254) 287-6648
LIN, Li	2250 Foulis St.	Lackland AFB	TX	78236-1039	(210) 671-2837
LIAN, Van	2301 Ranch Rd 620 S.	Lakeway	TX	78734	(512) 263-6420

AFC Food Service Counters  
Franchisee List  
as of March 31, 2024

Franchisee Name	Address	City	State	Zip	Phone
HOM, Nang San	3441 Lakeline Blvd	Leander	TX	78641	(737) 843-3073
THUI, Prescilla	4425 19th Street	Lubbock	TX	79407	(806) 788-2000
KAP, Khai Za	12815 Indiana Ave	Lubbock	TX	79423	(806) 776-8900
TIAL, Cer Chin	4205 98th Street	Lubbock	TX	79423	(806) 794-1921
TIAL, Cer Chin	11310 Slide Rd.	Lubbock	TX	79424	(806) 705-4100
ZEYA, Kyaw	401 Slide Rd.	Lubbock	TX	79416	(806) 796-0330
WIN, Nwe	3405 50 street	Lubbock	TX	79413	(806) 795-8341
TIAL, Sui Tin	6321 4th Street	Lubbock	TX	79416	(806) 784-1500
MANG, Ngun Lian	8010 Frankford Avenue	Lubbock	TX	79424	(806) 783-0206
MAI, Seng	980 Hwy 287 North	Mansfield	TX	76063	(817) 453-6770
THANG, Henry	4706 N Midkiff Road	Midland	TX	79705	(432) 699-0761
MOI, Dawt Khun	3317 N. Midland Drive	Midland	TX	79707	(432) 689-8683
BAU, Zyon	2295 Woodforest Pkwy	N Montgomery	TX	77316	(866) 945-1108
LABYA, Hkawn N	10801 D. STREET BLDG 337	NAS CORPUS CHRISTI	TX	78419-5104	(361) 961-2545
NBAN PA, Ja Mai Lu	1765 Military PKWY	Naval AirStation/JRB	TX	76127	(817) 782-3664
THANG, Thawng	4950 E 42nd Street	Odessa	TX	79762	(432) 367-4976
THAWNG, Lian Bik	2783 Cedar St	Pecos	TX	79772	(432) 755-3150
TIAL, Eunice I	7105 Corporate Drive	Plano	TX	75024	(800) 522-4317
THAWNG, Van Mang	4700 Alliance Blvd	Plano	TX	75093	(469) 814-6750
THAWNG, Van Mang	1100 Allied Drive	Plano	TX	75093	(469) 814-3278
MARUMOTO, Yoshikazu	6565 Headquarters Drive	Plano	TX	75024	(888) 255-3154
BOR, Iang	770 3rd St West	Randolph AFB	TX	78150	(210) 652-5102
CING SEN, Mary	1890 FM 359	Richmond	TX	77469	(281) 238-8231
GUALNAM, Tuang Donggel	501 Dell Way	Round Rock	TX	78682	(512) 338-4400
GUALNAM, Tuang Donggel	401 Dell Way	Round Rock	TX	78664	(512) 338-4400
GUALNAM, Tuang Donggel	2300 Greenlawn Blvd.	Round Rock	TX	78664	(512) 338-4400
GUALNAM, Tuang Donggel	One Dell Way	Round Rock	TX	78664	(512) 338-4400
GUALNAM, Tuang Donggel	2401 Greenlawn Blvd.	Round Rock	TX	78682	(800) 285-1653
HOM, Nang San	2051 Gattis School Rd.	Round Rock	TX	78664	(512) 246-0390
SUNG, Zung	1201 N. Saginaw Blvd	Saginaw	TX	76179	8172322777
LIAN, Van Hmun	130 Community Center Drive	Sheppard AFB	TX	76311	(940) 676-2511
BAU, Zyon	22777 Springwoods Village Parkway	Springs	TX	77389	(800) 537-5200
JEONG, Kyoung M	2401 South 31st Street	Temple	TX	76508	(254) 724-2111
NI CER CIN, Esther	101 Trophy Lake Dr	Trophy Club	TX	76262	(817) 490-6960
CHO, Geuna	4045 EAST PONY EXPRESS PRKWY	Eagle Mountain	UT	84005	(801) 756-8383
TAKLUEM, Sanuk	400 bldg 7451 6th St.	Hill AFB	UT	84056-5704	(801) 777-2300
MOE, Willy	745 N Dixie Dr.	Saint George	UT	84770	(435) 688-7156
MOE, Willy	915 Red Cliffs Drive	Washington	UT	84780	(435) 628-0424
JIA, Hongyan	42015 Village Center Plaza	Aldie	VA	20105	(703) 542-8340
LAL, Hmun	4641 Duke St.	Alexandria	VA	22304	(703) 461-7082
HTET, Nyi Lin	735 N. Saint Asaph St.	Alexandria	VA	22314	(703) 419-3837
LEI, LUBANG	4550 King Street	Alexandria	VA	22302	(571) 895-2820
Aung, Wai Wai	950 S George Mason Dr.	Arlington	VA	22204	(571) 384-1610
MAUNG, Lei Win	2425 N. Harrison St.	Arlington	VA	22207	(703) 532-8663
PHYO, Maung Wai	3600 Glebe Rd.	Arlington	VA	22202	(703) 412-1544
ONG, Francis	1215 Lee Street	Charlottesville	VA	22903	(434) 924-0211
LAHTAW, Seng Bu	975 Emmet St. N	Charlottesville	VA	22903	(434) 984-2900
OO, Aung Myo	301 West Broad Street #A	Falls Church	VA	22046	(571) 419-6869
KYAW, James M	6020 Gorgas Road	Fort Belvoir	VA	22060	(703) 806-6371
ARANA, Mary Grace M.	Bldg 1382 13th & Lee Blvd	Fort Eustis	VA	23604	(757) 878-5608
Aung, Sai Win	400 Shop Road (next to PX)	Fort Lee	VA	23801	(804) 765-1483
TUN, Han Win	523 Carpenter Rd.	Fort Myer	VA	22211	(703) 696-3674
HTAY, Kyaw	51 Spaatz Drive	Langley AFB	VA	23665	(757) 764-7604
MANG, Ester	8200 Crestwood Heights Dr.	McLean	VA	22102	(703) 448-0132
KYAW, Khin	1588 Mall Dr	Norfolk	VA	23511	(757) 423-3188

AFC Food Service Counters  
Franchisee List  
as of March 31, 2024

Franchisee Name	Address	City	State	Zip	Phone
AUNG, Han Win	1320 Colonial Ave.	Norfolk	VA	23517	(757) 533-9284
AUNG, Han Win	600 Gresham Drive	Norfolk	VA	23507	(757) 388-3000
GUTIERREZ, Jhonna Nadonza	Bldg # 350, Scott Center Annex	Portsmouth	VA	23709	(757) 399-7941
TEA, Lal Sang	105 Purcellville Gateway Drive	Purcellville	VA	20132	(540) 338-8995
KYAW, James M	3400 Russell Rd.	Quantico MCCB	VA	22134	(703) 784-2476
GREGOIRE, Sunyang Kim	11806 Spectrum Center	Reston	VA	20190	(703) 435-5800
NAING, Kaung Htat	21399 Epicerie Plaza	Sterling	VA	20164	(571) 526-4835
MIN, Myo Myin	3189 GODWIN BLVD	SUFFOLK	VA	23434-8694	(757) 942-6032
AUNG, Khant Hmue	2675 Avenir Place	Vienna	VA	22180	(703) 204-0840
REYES, Geraldine Garcia	1069 Independence Blvd	Virginia Beach	VA	23455	(757) 217-0240
KHAM, Langh Lian	1180 Amphibious Dr	Virginia Beach	VA	23459	(757) 464-3561
AYE, Thida	2110 Great Neck Sq	Virginia Beach	VA	23454	(757) 481-6254
TUN, Nyi Nyi	1300 Oceana Blvd.	Virginia Beach	VA	23454	(757) 428-6401
LOME, Shan	1470 Quarterpath Rd.	Williamsburg	VA	23185	(757) 253-0182
CHOI, Dong Ho	1840 Amherst Street	Winchester	VA	22601	(540) 536-8000
OO, Zaw	168 Ames Drive	Barre	VT	05641	(802) 479-9078
POE, Kyaw Meh	214 Northside Drive	Bennington	VT	05201	(802) 447-9940
TUN, San Shwe	160 Paine Turnpike North	Berlin	VT	05602	(802) 223-2652
NAW, Kiss	570 Shelburne Rd.	Burlington	VT	05403	(802) 860-2255
TINT, Kyaw	595 Shelburne Road	Burlington	VT	05401	(802) 651-9826
GYI, Ko	66 Mountain View Dr.	Colchester	VT	05446	(802) 654-7803
GYI, Maung San Tha	64 Equinox Terrace	Manchester Center	VT	05255	(802) 362-4447
TUN, San Shwe	2 Main St.	Montpelier	VT	05602	(822) 237-7587
SHWE, U Than	38 Rutland Shop Plaza	Rutland	VT	05701	(802) 747-7880
TINT, Kyaw	41 Hinesburg Road	South Burlington	VT	05403	(802) 864-9176
SHWE, U Than	100 Westway Mall Drive	West Rutland	VT	05777	(802) 438-6119
GYI, Ko	71 Boxwood Street	Williston	VT	05495	(802) 878-9770
LIN, Thet Naing	221 W. Heron	Aberdeen	WA	98520	(360) 533-1955
HTWE, Khine M	3532 172nd St.	Arlington	WA	98223	(360) 653-4144
HTWE, Khine M	20500 Olympic place	Arlington	WA	98223	(360) 435-3636
LIAN, Peng Za	801 Auburn Way North	Auburn	WA	98002	(253) 931-5550
KHAI, Hau L.	401 NW 12th Ave.	Battleground	WA	98604	(360) 666-5108
VAN, Thang	2041 148th NE	Bellevue	WA	98007	(425) 865-8560
CHUNG, Phun	5050 State Hwy 303 N.E.	Bremerton	WA	98311	(360) 792-2800
YOUN, Eun Kyeong	Building #990 Naval Base Kitsap	Bremerton	WA	98314-5205	(360) 405-1971
MEN, Sui Za	14300 First Avenue South	Burien	WA	98168	(206) 433-6411
UK, James Hrang Tin	138 S.W. 148 St.	Burien	WA	98166	(206) 243-3043
ZINGHANG, Sam Nang	800 NE 3rd	Camas	WA	98607	(360) 834-7933
NAING, Win	1129 Harrison Ave.	Centralia	WA	98531	(360) 330-0884
MAUNG, Kyaw Win	804 West 1st Street	Cle Elum	WA	98922	(509) 674-2580
ZUNGLIR, Silas	16735 SE 272nd St.	Covington	WA	98042	(253) 639-7408
THANG, Richard Tuan Kip	510 Grant Rd	East Wenatchee	WA	98802	(509) 884-0707
THA, Saw Hla Win	11 Grant Rd.	East Wenatchee	WA	98802	(509) 881-2808
KHAINING, David Min	201 South Water	Ellensburg	WA	98926	(509) 962-0500
KHINE, Ei Kay	3003 West Casino Road	Everett	WA	98204	(425) 342-3275
HAU, Khup Khan	Bldg #2464, 105A W. Spaatz Rd	Fairchild AFB	WA	99011	(509) 244-5591
THANG, Rebekah Rinmawi	33702 21st Ave. SW	Federal Way	WA	98023	(253) 952-0108
KIM, Grace	Fort Lewis Commissary BLDG 5275	Fort Lewis	WA	98433	(253) 966-8456
THANGTHAT, Jedidiah B	5502 Point Fosdic Dr. NW	Gig Harbor	WA	98335	(503) 797-5750
LIN, Kyaw Zayyar	5010 Point Fosdick	Gig Harbor	WA	98335	(253) 858-4842
HMUNG, Siang L	10105 224th St E	Graham	WA	98338	(253) 847-7050
NUN, Ngur	6100 E. Lake Sammamish Parkway SE	Issaquah	WA	98029	(425) 416-1100
AUNG, Moe Kyaw	2811 W. 10th Ave.	Kennewick	WA	99336	(509) 735-8700
NYO, Mu	5204 W Clearwater	Kennewick	WA	99336	(509) 783-1457
PAR, Van Nei	25250 Pacific Hwy S.	Kent	WA	98032	(253) 946-7403

AFC Food Service Counters  
Franchisee List  
as of March 31, 2024

Franchisee Name	Address	City	State	Zip	Phone
BAWI, Thla	10201 SE 240th	Kent	WA	98031	(253) 859-5500
THANG, Lian	12221 120th Avenue NE	Kirkland	WA	98034	(425) 820-3203
LWIN, Min Min	10611 N.E. 68th Street	Kirkland	WA	98033	(206) 923-5212
DIM, Ngun Lian	1243 Marvin Rd NE	Lacey	WA	98516	(360) 438-3914
HRILA, Lal Nun	4700 Yelm Hwy SE	Lacey	WA	98503	(360) 438-0203
TE, Mang	700 Sleater-Kennedy Rd. S.E.	Lacey	WA	98503	(360) 438-6462
SUNG, Nei	10223 Gravelly Lake Drive	Lakewood	WA	98499	(253) 581-2072
NUAM, Mang	8611 Steilacoom Blvd SW	Lakewood	WA	98498	(253) 582-5844
LING , Tial Hmung	116 Riverbend Dr.	Leavenworth	WA	98826	(509) 548-5435
MANG, Za Lun	1304 N Liberty Lake Rd	Liberty Lake	WA	99019	(509) 924-2374
KYAW, Hnin Yi	3184 Ocean Beach Highway	Longview	WA	98632	(360) 636-1010
OO, Aung Zaw	26520 Maple Valley Black	Maple Valley	WA	98038	(360) 636-1010
SAVIO, Khun	13900 45th Ave. NE	Marysville	WA	98271-7853	(425) 304-3411
SHEIN, Kyi Tha	577 Lincoln Bl.	McChord AFB	WA	98438	2539823285
AYE, Phyu Phyu	2755 77th Ave SE	Mercer Island	WA	98040	(206) 232-2577
CUNG, Tuan Ceu	900 Meridian Ave E	Milton	WA	98354	(253) 927-2332
LING , Tial Hmung	601 S Pioneer Way	Moses Lake	WA	98837	(509) 765-3961
OO, Bo Thau	2604 Ohio Street	NBK-BANGOR	WA	98315	(360) 396-6025
CIN, Khan	2090 N Coral Sea Ave.	Oak Harbor	WA	98278	(360) 257-3318
MIN, Kyaw Sein	4280 Martin Way E	Olympia	WA	98516	(360) 456-7132
OO, Shwe Wathan	3215 Harrison Ave. NW	Olympia	WA	98502	(360) 956-3782
TUN, Saw H.	110 East 3rd Street	Port Angeles	WA	98362	(360) 457-0788
YANG, Jung Woo	1900 SE Sedgwick Rd.	Port Orchard	WA	98366	(360) 874-7148
MAUNG, Ko Ko	370 SW Sedgwick Road	Port Orchard	WA	98367	(360) 874-8300
KI, Ngun Tha	442 W. Sims Way	Port Townsends	WA	98368	(360) 385-2806
NAING, Zaw Lin	430 S. E. Bishop Blvd	Pullman	WA	99163	(509) 334-0803
MAUNG, Ko Ko	11501 Canyon Rd E	Puyallup	WA	98373	(253) 536-4792
CUNG, No UK	1100 N. Meridian East	Puyallup	WA	98371	(253) 840-8150
CUNG, No UK	17404 Meridian East	Puyallup	WA	98373	(253) 445-7848
YI, Aekyung Annie	5608 176th St E	Puyallup	WA	98375	(253) 414-1737
THANG, Thla	13308 Meridian East	Puyallup	WA	98373	(253) 864-7277
VAN, Thao T	17667 NE 76th Street	Redmond	WA	98052	(425) 556-8000
SOLOMON, Suan	17801 108th Ave SE	Renton	WA	98055	(425) 235-5365
KHUP, Twe Nei	900 Logan Avenue N	Renton	WA	98055	(425) 572-3172
MARY, Rose	365 Renton Center Way SW	Renton	WA	98055	(425) 204-5200
NAING, Oo Reh Aung	101 Wellisian Way	Richland	WA	99352	(509) 946-2808
MARAN, Pius Tumai	1803 George Washington Way	Richland	WA	99354	(509) 946-9605
NYO, Mu	690 Gage Blvd	Richland	WA	99352	(509) 627-5133
SAN, Lal Rin	301 228th Ave SE	Sammamish	WA	98074	(425) 295-0456
U, Hsu Mon	8350 15th Ave. NW	Seattle	WA	98117	(206) 776-2900
THANG, Par Tin Dim	7755 East Marginal Way South	Seattle	WA	98108	(206) 655-1341
NYO, Htay	2021 7th Avenue	Seattle	WA	98109	(206) 266-4064
NYO, Htay	2201 E. Madison St.	Seattle	WA	98112	(206) 494-1518
NYUNT, Win Htut	5250 40th Ave NE	Seattle	WA	98105	(206) 938-6600
KYAW, Min Thu	2320 42nd SW	Seattle	WA	98116	(206) 937-0551
KYAW, Min Thu	100 Mercer St.	Seattle	WA	98109	(206) 213-0778
KYAW, Min Thu	3830 34th Ave West	Seattle	WA	98199	(206) 283-2710
HNUNA, Lian	680F West Washington	Sequim	WA	98382	(360) 681-2905
THANG, Pau Lal	301 East Wallace-Kneeland Blvd	Shelton	WA	98584	(360) 427-2979
Tun, Ye	2890 NW Bucklin Hill Road	Silverdale	WA	98383	(360) 692-4488
KHINE, Zaw Myo	3010 E. 57th Ave	Spokane	WA	99223	(509) 443-6403
TUANG, Ning Khan	9001 N Indian Trail Rd	Spokane	WA	99208	(509) 465-8110
KHUP, Kham Khan	2509 E. 29th Ave	Spokane	WA	99223	(505) 532-0822
KHUP, Kham Khan	14020 E Sprague Ave	Spokane	WA	99216	(509) 921-9859
THANG, Lian Go	400 South Thor St.	Spokane	WA	99202	(509) 532-4000

AFC Food Service Counters  
Franchisee List  
as of March 31, 2024

Franchisee Name	Address	City	State	Zip	Phone
KHUAL, Peter Lian Khan	3919 N. Market Street	Spokane	WA	99207	(509) 484-5195
NA, Elve	2507 W Wellesley	Spokane	WA	99205	(509) 327-4593
TUANG, Vum Lam	13606 East 32nd Ave	Spokane	WA	99206	(509) 892-2112
KHUAL, Dong Cin	12120 N. Division St.	Spokane	WA	99218	(509) 465-4400
SWE, Nay Myo Thu	15609 E. Sprague Rd.	Spokane Valley	WA	99037	(509) 921-5350
NAING, Kee	8851 E Trent Ave	Spokane Valley	WA	99212	(509) 924-9014
CIN, Biak	1201 Valley Avenue	Sumner	WA	98390	(253) 826-8414
DALANGGING, Mung Hkrap	3842 Bridgeport Way	Tacoma	WA	98466	(253) 565-6215
AUNG, Thawng	1624 E 72nd St	Tacoma	WA	98404	(253) 537-2124
MAWI, Cer	1302 South 38th St	Tacoma	WA	98418	(253) 471-1630
HNIN, Bawi	2637 North Pearl St.	Tacoma	WA	98407	(253) 759-9251
LIN, Kyaw Zayyar	2420 N. Proctor St.	Tacoma	WA	98406	2537613663
HTWE, Mawi	2411 North Proctor	Tacoma	WA	98406	(253) 752-5570
LEE, Yongsook	520 Cleveland Ave. SE	Tumwater	WA	98501	(360) 943-1830
BIK, Cung	555 Trosper Road SW	Tumwater	WA	98512	(360) 753-7900
KIM, Sung Heon	6305 Bridgeport Way West	University Place	WA	98467	(253) 460-4000
MOUA, Tania Manena Vang	7411 NE 117th Ave,	Vancouver	WA	98662	(360) 896-3500
S.B, Hau Pau	2500 Columbia House Blvd	Vancouver	WA	98661	(360) 992-3500
PIANG, Nang Sian	13023 NE Hwy 99	Vancouver	WA	98686	(360) 566-7980
MAN LAL, Zen Lam	13719 SE Mill Plain Blvd	Vancouver	WA	98684	(360) 891-4245
MAN LAL, Zen Lam	6711 NE 63rd St.	Vancouver	WA	98661	(360) 992-5680
CING, Niang Lam	800 NE Tenney Rd.,	Vancouver	WA	98686	(360) 571-2540
CHEN, Jinxia	16600 SE McGillivray Blvd.	Vancouver	WA	98683	3602603308
ZINGHANG, Sam Nang	6700 NE 162ND AVE	VancouverVANCOUVER	WA	98682	(360) 944-2680
THANG, Richard Tuan Kip	501 North Miller St.	Wenatchee	WA	98801	(509) 663-5336
MAUNG, Aung Lwin	1725 Pacific Ave.	Woodland	WA	98674	(360) 225-4370
LIU, Bixiang	1206 North 40th Ave	Yakima	WA	98908	(509) 576-6808
THANG, Thawng Zam	1109 Yelm Ave E	Yelm	WA	98597	(360) 458-8830
MAYSHAR, Saw	703 University Ave	Madison	WI	53715	(608) 287-0000
SAN, Tin Win	80 Skyline Drive Plaza	Buckhannon	WV	26201	(304) 472-0918
LUNN, Nyo Chit	2625 East 2nd St.	Casper	WY	82609	(307) 237-9361
MIN, Maung Naing	1076 Cy Ave	Casper	WY	82604	(307) 206-0136
THIRINDA, FNU	3355 East Pershing Blvd	Cheyenne	WY	82001	(307) 635-1151
THIRINDA, FNU	5800 Yellowstone Road	Cheyenne	WY	82009	(307) 637-8361
KAM, Ebenezer	1825 17th Street	Cody	WY	82414	(307) 527-7007
HLA, Maung	6205 Missile Dr.	F.E Warren AFB	WY	82005	(307) 773-3509
WIN, Naing Naing	2610 South Douglas Hwy	Gillette	WY	82718	(307) 686-7352
MYI, Aung	105 Buffalo Way	Jackson	WY	83001	(307) 733-5950
ZING, Biak Hnem	1165 Main Street	Lander	WY	82520	(307) 332-3636
MUN, Heeil	554 N. Thrid Street	Laramie	WY	82070	(307) 721-5107
MUN, Heeil	3112 East Grand Ave	Laramie	WY	82070	(307) 742-8146
GYI, Maung Than Lun	1865 Coffeen Ave	Sheridan	WY	82801	(307) 672-8909

If you buy this franchise, your contact information may be disclosed to other buyers when you leave the franchise system.

AFC Food Service Counters  
Company Owned Locations  
As of March 31, 2024

Operator Name	Address	City	State	Zip	Phone
AFCFC	2003 US Highway 31 N	Deatsville	AL	36022	(334) 361-2425
AFCFC	1800 Honda Drive	Lincoln	AL	35096	(205) 355-5000
AFCFC	1637 N Trekell Rd.	Casa Grande	AZ	85122	(520) 421-7447
AFCFC	4940 S Gilbert Rd	Chandler	AZ	85249	(480) 883-2240
AFCFC	16605 E. Palisades	Fountain Hills	AZ	85268	(480) 391-4020
AFCFC	1305 W. Duval Mine Road	Green Valley	AZ	85614	(520) 648-2847
AFCFC	1980 McCulloch Pkwy	Lake Havasu	AZ	86403	(928) 854-5300
AFCFC	1650 McCulloch Blvd N	Lake Havasu City	AZ	86403	(928) 855-7760
AFCFC	9925 E.Baseline Rd	Mesa	AZ	85209	(480) 354-2798
AFCFC	142 E State Hwy 260	Payson	AZ	85541	(928) 474-4495
AFCFC	7720 E. Highway 69	Prescott	AZ	86314	(928) 772-6126
AFCFC	160 Coffee Pot Drive	Sedona	AZ	86336	(928) 282-5351
AFCFC	3275 N. Swan Rd.	Tucson	AZ	85712	(520) 323-5820
AFCFC	1221 W. Irvington Road	Tucson	AZ	85714	(520) 434-6920
AFCFC	7110 N. Oracle Rd.	Tucson	AZ	85704	(520) 575-0949
AFCFC	1190 N. Main St	Bishop	CA	93514	7608729811
AFCFC	19340 Sloedad Canyon Rd	Canyon Country	CA	91351	(661) 252-6226
AFCFC	8425 Elk Grove-Florin Rd.	Elk Grove	CA	95624	(916) 681-5775
AFCFC	2226 Jackson Ave.	Escalon	CA	95320	(209) 438-4088
AFCFC	3330 North Texas St.	Fairfield	CA	94533	(707) 421-9990
AFCFC	39 Lincoln Blvd	Lincoln	CA	95648	(916) 408-5775
AFCFC	1300 N. Vermont Ave	Los Angeles	CA	90027	(213) 413-3000
AFCFC	481 Old Mammoth Rd	Mammoth Lakes	CA	93546	(760) 934-4536
AFCFC	217 Soscol Ave	Napa	CA	94559	(707) 224-7897
AFCFC	16259 Paramount Blvd.	Paramount	CA	90723	(562) 259-9950
AFCFC	1915 Douglas Blvd	Roseville	CA	95661	(916) 781-7845
AFCFC	638 Camino del los Mares	San Clemente	CA	92673	(949) 496-8616
AFCFC	2603 Westminster Ave.	Santa Ana	CA	92706	(714) 515-5056
AFCFC	1407 Fulton Rd.	Santa Rosa	CA	95403	(707) 546-3435
AFCFC	2909 Rolling Hills Rd	Torrance	CA	90505	(310) 325-0611
AFCFC	2090 Harbison Drive	Vacaville	CA	95687	(707) 452-7277
AFCFC	8852 Lakewood Dr.	Windsor	CA	95492	(707) 838-6604
AFCFC	700 W. Onstott Frontage Road	Yuba City	CA	95991	(530) 673-5931
AFCFC	27152 Main Street	Conifer	CO	80433	(303) 838-4375
AFCFC	2200 Bonforte Blvd	Pueblo	CO	81001	(719) 549-2100
AFCFC	83 Stony Hill Road	Bethel	CT	06801	(203) 791-8589
AFCFC	67 Prospect Hill Road	E Windsor	CT	06088	(860) 623-4000
AFCFC	1500 South Capitol Street	Washington	DC	20003	(202) 675-6287
AFCFC	220 W Ironwood Drive	Coeur d'Alene	ID	83814	(208) 664-9101
AFCFC	161 W Prairie Shopping Ctr	Hayden	ID	83835	(208) 772-0847
AFCFC	702 N. 5th Ave.	Sandpoint	ID	83864	(208) 263-9638
AFCFC	655 Main St. NW	Bourbonnaise	IL	60914	(815) 929-0560
AFCFC	11730 S Marshfield Ave	Chicago	IL	60643	(773) 568-8157
AFCFC	5630 W Belmont	Chicago	IL	60634	(773) 993-0090
AFCFC	2222 Troy Rd	Edwardsville	IL	62025	(314) 436-5568
AFCFC	2300 Illinois 59	Plainfield	IL	60586	(815) 733-2135
AFCFC	965 E. Rollins Rd	Round Lake Beach	IL	60073	(224) 365-8888
AFCFC	1700 North Lewis Ave	Waukegan	IL	60085	(847) 999-0650
AFCFC	700 N Main St.	El Dorado	KS	67042	(316) 321-0332

AFC Food Service Counters  
Company Owned Locations  
As of March 31, 2024

Operator Name	Address	City	State	Zip	Phone
AFCFC	2113 S Alex Plaisance Blvd	Golden Meadow	LA	70357	(985) 475-1120
AFCFC	5665 Nelson Road	Lake Charles	LA	70605	3375020115
AFCFC	13086 Highway 3235	LaRose	LA	70373	(985) 798-1010
AFCFC	1428 Crescent Ave	Lockport	LA	70374	(985) 532-5481
AFCFC	137 Teaticket Hwy	East Falmouth	MA	02536	(508) 548-4033
AFCFC	18 Sisson Rd.	Harwich Port	MA	02646	(508) 432-3433
AFCFC	9 West Rd Route 6	Orleans	MA	02653	(508) 240-1021
AFCFC	2260 State Road	Plymouth	MA	02360	(508) 883-2975
AFCFC	10 Center Drive	Bethesda	MD	20892	(301) 496-4000
AFCFC	353 Main Street.	Bangor	ME	04401	(207) 942-9441
AFCFC	251 US Highway 1	Falmouth	ME	04105	(207) 781-6581
AFCFC	8600 North 114th Avenue	Champlin	MN	55316	(763) 427-2714
AFCFC	9350 Excelsior Blvd	Hopkins	MN	55343	9527422000
AFCFC	612 S. Minnesota Ave.	St. Peter	MN	56082	(507) 931-5541
AFCFC	11253 St. charles Rock Rd	Bridgeton	MO	63044	(314) 738-0677
AFCFC	2511 Kehrs Mill Rd	Chesterfield	MO	63017	(636) 207-3401
AFCFC	1661 N Coley Rd.	Tupelo	MS	38801	(662) 269-3369
AFCFC	1017 Canopy Lane	Fort Bragg	NC	28310	(910) 853-7333
AFCFC	380 Warrior Dr.	Grand Forks AFB	ND	58205	(701) 747-3083
AFCFC	1328 Hooksett Rd	Hooksett	NH	03106	(603) 623-8846
AFCFC	586 Nashua Street	Milford	NH	03055	(603) 672-3336
AFCFC	300 Main St.	Nashua	NH	03060	(603) 579-6966
AFCFC	213 Daniel Webster Hwy	Nashua	NH	03062	(603) 891-1649
AFCFC	100 Shaws Lane	Stratham	NH	03885	(603) 778-8545
AFCFC	43 Indian Rock Rd.	Windham	NH	03087	(603) 432-2607
AFCFC	3980 Maple Raod	Amherst	NY	14226	(716) 515-0075
AFCFC	2351 MAPLE ROAD	AMHERST	NY	14221	(716) 515-3200
AFCFC	390 W. MAIN STREET	BATAVIA	NY	14020	(585) 343-9373
AFCFC	1740 SHERIDAN DRIVE	BUFFALO	NY	14223	(716) 874-4991
AFCFC	1936 US-6	Carmel Hamlet	NY	10512	(845) 225-4151
AFCFC	320 W Bridge St.	Catskill	NY	12414	(518) 943-3239
AFCFC	854 State Route 13	Cortland	NY	13045	(607) 756-4994
AFCFC	4777 TRANSIT ROAD	DEPEW	NY	14043	(716) 515-3280
AFCFC	6363 Transit Rd	Depew	NY	14043	(716) 601-0180
AFCFC	911 North St.	Endicott	NY	13760	(607) 748-8080
AFCFC	1050 Madison Market Place	Hamilton	NY	13346	(315) 824-6040
AFCFC	128 W. MAIN STREET	Leroy	NY	14482	(585) 768-8549
AFCFC	5827 S Transit Road	Lockport	NY	14094	(585) 324-5565
AFCFC	7200 Niagara Falls Blvd	Niagara Falls	NY	14304	(716) 513-2200
AFCFC	2585 South Road	Poughkeepsie	NY	12601	(845) 452-1005
AFCFC	5274 Main Street	Williamsville	NY	14221	(716) 632-7411
AFCFC	61155 S Hwy 97	Bend	OR	97702	(541) 382-3600
AFCFC	642 East 3rd St	Bend	OR	97701	(541) 312-6480
AFCFC	1500 Coburg Rd.	Eugene	OR	97401	(541) 685-8873
AFCFC	311 Coburg Road	Eugene	OR	97401	(541) 342-7635
AFCFC	851 Summer Road	Carlisle Barracks	PA	17013	(717) 245-3105
AFCFC	180 Westside Mall	Edwardsville	PA	18704	(570) 287-7244
AFCFC	49 Pine Grove Square	Grove City	PA	16127	(724) 458-7544
AFCFC	1025 Pennsylvania Ave	Matamoras	PA	18336	(570) 491-5612

AFC Food Service Counters  
Company Owned Locations  
As of March 31, 2024

Operator Name	Address	City	State	Zip	Phone
AFCFC	8 Chapel View Blvd	Cranston	RI	02920	(401) 464-8388
AFCFC	5722 Integrity Dr.	Millington	TN	38054	(901) 874-5125
AFCFC	100 N Cedar Ave	South Pittsburg	TN	37380	(423) 837-2386
AFCFC	6220 US Hwy 287	Arlington	TX	76017	(817) 478-8901
AFCFC	833 NE Alsbury Road	Burleson	TX	76028	(817) 447-9106
AFCFC	2931 Central City Blvd	Galveston	TX	77551	(409) 744-0413
AFCFC	501 Westlake Park Blvd.	Houston	TX	77079	(281) 366-2000
AFCFC	1101 Bates Ave.	Houston	TX	77030	(832) 355-1000
AFCFC	7200 Cambridge St.	Houston	TX	77030	(713) 798-1000
AFCFC	1111 Louisiana St.	Houston	TX	77002	(713) 207-1111
AFCFC	5219 Fm 1960 Rd W	Houston	TX	77069	(281) 440-1402
AFCFC	20171 Chasewood Park Dr	Houston	TX	77070	(832) 534-5000
AFCFC	10720 W. Sam Houston Parkway N.	Houston	TX	77064	(281) 408-7000
AFCFC	2747 W Grand Parkway N.	Katy	TX	77449	(281) 492-1020
AFCFC	7708 Lohmann Ford Road	Lago Vista	TX	78645	(512) 267-0355
AFCFC	4600 East Sam Houston Pkwy. S.	Pasadena	TX	77505	(713) 948-7000
AFCFC	100 W. Southlake Blvd	Southlake	TX	76092	(817) 416-5464
AFCFC	25231 Grogans Mill Dr., Suite 100	Spring	TX	77380	(877) 968-7962
AFCFC	10300 Energy Drive	Spring	TX	77389	(650) 857-1501
AFCFC	1317 Lake Pointe Pkwy	Sugar Land	TX	77478	(281) 637-7000
AFCFC	499 Canal Street	Brattleboro	VT	05301	(802) 254-3424
AFCFC	857 Memorial Dr.	St Johnsbury	VT	05819	(802) 748-1109
AFCFC	23961 NE STATE ROUTE 3	Belfair	WA	98528	(360) 275-0922
AFCFC	300 Bellevue Way NE	Bellevue	WA	98004	(425) 455-6500
AFCFC	21301 Hwy 410	Bonneylake	WA	98380	(253) 862-1212
AFCFC	400 Bridge St	Clarkston	WA	99403	(509) 758-5523
AFCFC	2109 S.W. 336th St	Federal Way	WA	98023	(253) 838-9941
AFCFC	408 NE 81st St	Hazel Dell	WA	98665	(360) 574-1141
AFCFC	22833 SE Black Nugget Rd.	Issaquah	WA	98029	(206) 727-3200
AFCFC	8196 NE Hwy 104	Kingston	WA	98346	(360) 297-1800
AFCFC	215 Whitesell St NW	Orting	WA	98360	(360) 893-0840
AFCFC	19245 10th Ave N.E	Poulsbo	WA	98370	(360) 394-0023
AFCFC	17710 Canyon Road E #400	Puyallup	WA	98375	(888) 280-4331
AFCFC	600 Franklin St	Shelton	WA	98584	(360) 426-9978
AFCFC	6520 North Nevada St	Spokane	WA	99208	(509) 489-1250
AFCFC	10100 N Newport Hwy	Spokane	WA	99218	(509) 465-2576
AFCFC	902 W Francis Ave	Spokane	WA	99205	(509) 327-4880
AFCFC	933 Mission Ave	Spokane	WA	99202	(509) 482-1987
AFCFC	104 Military Rd	Tacoma	WA	98444	(253) 538-1688
AFCFC	7250 Pacific Ave.	Tacoma	WA	98408	(253) 475-6040
AFCFC	705 Trosper Rd SW	Tumwater	WA	98512	(360) 705-3569
AFCFC	5702 Summitview Ave	Yakima	WA	98908	(509) 965-3622

AFC Food Service Counters  
Franchise Location Transfers in the  
Year Ending March 31, 2024

FC Name	Address	City	State	Zip	Phone
Ngai Mang Thal	6422 Fairweather Dr	Anchorage	AK	99518	(907) 744-8345
Paul Choummittaphanh	1128 Joyce Drive	Fairbanks	AK	99701	(907) 978-3693
Van Thawng Lian	8160 County Road 64, Apt # 921	Daphne	AL	36526	(309) 989-5538
Kam Hnin	2578 Hough Rd, APT. F	Florence	AL	35630-1743	(317) 929-9737
YING HONG INC.	405 Taylors Way	Moody	AL	35004-2694	(404) 200-5464
Kyaw Kyaw Naing Tun	1107 Huntley Apartment Dr	PELHAM	AL	Alabama	35124-6006
Kyaw Kyaw Naing Tun	1107 Huntley Apartment Dr	PELHAM	AL	Alabama	35124-6006
A&H COMPANY CORPORATION	3103 Carousel Ct, Apt. B	Vestavia Hills	AL	35216	(904) 377-6714
A&H COMPANY CORPORATION	3103 Carousel Ct, Apt. B	Vestavia Hills	AL	35216	(904) 377-6714
Yoon Thiri Thet	8832 W. Midway Ave.	Glendale	AZ	85305-6924	(602) 527-7724
Sang Za Ling	8221 W Rue De Lamour	Peoria	AZ	85381-4096	(228) 326-4438
Sang Za Ling	8221 W Rue De Lamour	Peoria	AZ	85381-4096	(228) 326-4438
Mg Win Hlaing	5617 N 38th Dr.	Phoenix	AZ	85019-2106	(602) 600-9292
TAHAN15 LLC.	3921 W. McLellan Blvd.	Phoenix	AZ	85019	(602) 459-4566
Kap Cung	7049 N 33rd Ave	Phoenix	AZ	85051	(463) 999-6782
Saw Htoo	8637 N 31st Ave	Phoenix	AZ	85051	(480) 628-9427
Saw Htoo	8637 N 31st Ave	Phoenix	AZ	85051	(480) 628-9427
Tin Thein Zaw	14738 Pacific Ave	Baldwin Park	CA	91706	(626) 701-4005
STEVEN AUNG, INC.	1020 W. Hamilton Ave. #3	Campbell	CA	95008	(707) 599-3221
Shin Kaviyiya	10326 Tembladera ST, APT #22	Castroville	CA	95012-3330	(718) 213-9804
JUNGGJLEE1 LLC.	6340 Viola Terrace	Chino Hills	CA	91709	(323) 630-7545
JUNGGJLEE1 LLC.	6340 Viola Terrace	Chino Hills	CA	91709	(323) 630-7545
Hla Hla Win	3155 Willow Pass Rd.	Concord	CA	94519	(925) 305-4736
CINCIN SUSHI INC.	10611 Tuggle Pl	Cupertino	CA	95014	(602) 576-3646
UMAI SUSHI BAR INC.	265 Verano Dr	Daly City	CA	94015-2169	(650) 676-9934
HEIN HOLDINGS, INC.	1429 Southgate Ave	Daly City	CA	94015	(415) 728-4922
Zhufen SU	26 Nerine CT	Danville	CA	94506-4794	(925) 733-6142
Zhufen SU	26 Nerine CT	Danville	CA	94506-4794	(925) 733-6142
Zixuan WANG	10242 Gilliam Way	ELK GROVE	CA	95757	(916) 599-0149
AAWJ	10049 Dona Neely Way	Elk Grove	CA	95757	(916) 897-1648
SUNSHINE WANG FEI, INC.	5903 Shoshone Ave	Encino	CA	91316	(818) 434-0551
MORNING STAR U.S.A INC	42831 Parkwood St.	Fremont	CA	94538	(415) 987-1078
JOY FRESH INC.	2350 Applewood Cir.	Fullerton	CA	92833	(562) 922-9566
CULVER SUSHI INC	1630 S. Barranca Ave, Space 58	Glendora	CA	91740	(626) 548-0712
SUSHIOLOGY LLC	14472 Sahara Ln	Huntington Beach	CA	92647	(714) 220-8806
Kyung Mi Yu	15104 Hayford St	La Mirada	CA	90638	(951) 368-3028
DFS DAILY FRESH FOOD INC.	401 Bellecour Way	Lake Forest	CA	92630-7929	(661) 476-8152
Maung Mya Win	1040 Janine Way Apt #K	Leemore	CA	93245	(626) 554-7466
EUNOIA JDK, INC.	4171 W 4th St., Apt #2	Los Angeles	CA	90020-3661	(562) 822-0483
Moon Sook Yi	307 S Reno St APT 111	Los Angeles	CA	90057	(323) 873-6143
TASTY SUSHI MART, INC.	312 S Wilton Pl	Los Angeles	CA	90020-4506	(213) 276-4541
XIANGLE FOOD CORPORATION	315 E Newmark Ave	Monterey Park	CA	91755	(626) 418-8855
Cung Thawng Lian	26301 Arboretum Way Unit 104	Murrieta	CA	92563-7229	(619) 906-0885
HLA SHWE, INC.	120 Avenida Las Brisas, APT C	Oceanside	CA	92057-6735	(619) 502-1138
AUNG HTOO SANN INC.	448 Lindberg Circle	Petaluma	CA	94952-3399	(650) 554-8933
THU WAI AUNG LLC.	11867 Herodian Dr	Rancho Cordova	CA	95742	(907) 887-4028
Yiyao Xu	11039 Spotlight Dr	Rancho Cucamonga	CA	91730-9207	(626) 677-6180
Jie Song	4051 Coleman Circle	Richmond	CA	94806	(510) 558-8078
FOODARTISAN	1722 Meridian Way	Rocklin	CA	95765	(801) 708-2603
SHAWNTHE SUSHI LLC.	4208 Trailblazer Loop	Roseville	CA	95747-4418	(916) 952-8828
SHAWNTHE SUSHI LLC.	4208 Trailblazer Loop	Roseville	CA	95747-4418	(916) 952-8828
Lataw Bawk Naw	6286 Lemon Hill Ave. #17	Sacramento	CA	95824	(916) 410-9230
PRINCE & PRINCESS INC.	2481 Valley Rd	Sacramento	CA	95821	(916) 280-8574
Seihwan Kim	4955 Ariva Way, Apt 329	San Diego	CA	92123-2195	(858) 527-9935
JRL INVESTMENT, INC.	3840 Elijah CT Unit 834	San Diego	CA	92130-6013	(858) 886-6770
SNA FAMILY INC.	157 Brighton Ave	San Francisco	CA	94112-2317	(513) 658-0604
SNA FAMILY INC.	157 Brighton Ave	San Francisco	CA	94112-2317	(513) 658-0604
S & P SUSHI FAMILY INC	157 Brighton Ave	San Francisco	CA	94112-2317	(415) 734-7064
TOP ASIAN SUSHI INC.	1631 Hittell Pl.	San Jose	CA	95131	(716) 830-0935
BIINSPIRE LLC.	1891 Golden Rain Rd., Apt 25C	Seal Beach	CA	90740-4760	(808) 557-5203
Nyunt Win Myint	12111 Vista Ranch Ave	Sylmar	CA	91342	(858) 382-9577
EDEN SUSHI BAR, INC.	21029 Donora Ave Apt A	Torrance	CA	90503	(714) 904-8922
SUSHI STATION	20302 Rimview Pl	Walnut	CA	91789	(909) 762-2894
ASIA WORLD DISTRIBUTION	2831 Countrywood LN	West Covina	CA	91791-3743	(512) 774-7873
RuiXia Guo	1733 Gemini St	West Covina	CA	91792	(626) 500-9618
Aung Soe Moe	2250 Dallas St, Apt 1,	Aurora	CO	80010-1025	(720) 380-0915
NARAE SUSHI LLC.	3071 S. Macon Cir.	Aurora	CO	80014	(720) 808-2226
SKY ONE LLC.	12549 E 31st Ave	Aurora	CO	80011	(716) 431-9443
SKY ONE LLC.	12549 E 31st Ave	Aurora	CO	80011	(716) 431-9443
SD SUSHI LLC.	15630 E. Hamilton Pl.	Aurora	CO	80013	(303) 204-5036
SD SUSHI LLC.	15630 E. Hamilton Pl.	Aurora	CO	80013	(303) 204-5036
Sai Thi Ha	1610 Ienmar Dr, Apt # 201	Colorado Springs	CO	80905	(719) 653-4435

**AFC Food Service Counters  
Franchise Location Transfers in the  
Year Ending March 31, 2024**

FC Name	Address	City	State	Zip	Phone
Sai Thi Ha	1610 Ienmar Dr, Apt # 201	Colorado Springs	CO	80905	(719) 653-4435
Khan Maung	2951 Equine Ct	Colorado Springs	CO	80922-2579	(913) 257-6837
David Hung	5106 Orleans Ct	Denver	CO	80249	(801) 889-6659
Thaw Zin Hein	2814 E 11th St	Pueblo	CO	81001-2406	(719) 659-3134
David Thawng Nai	1355 Hilltop Pkwy Unit C	Steamboat Springs	CO	80487	(405) 474-4036
Zaw Bik	10305 Dover St, Apt. 9-924	Superior	CO	80021-3970	(720) 498-6808
Zaw Bik	10305 Dover St, Apt. 9-924	Superior	CO	80021-3970	(720) 498-6808
Tenzin Dalha	44 Avonwood Rd APT 118	Avon	CT	6001	(929) 999-6676
Kyaw Kyaw	69 Daro Dr.	Enfield	CT	06082-5670	(860) 614-2162
NIMNA DILDIAL LLC.	1000 Abernathy Ln Unit 106	Apopka	FL	32703	(407) 683-4010
PHAILENG INC.	287 NW 4th Ave	Boca Raton	FL	33432	(561) 929-9926
PHAI MOMNO LLC.	4781 N. Congress Ave, APT 274	Boynton Beach	FL	33426	(954) 661-3141
Ngo Mang	304 King Neptune Ln	Cape Canaveral	FL	32920	(615) 779-4358
JULING, INC.	321 S.E 23rd Ter.	Cape Coral	FL	33990	(239) 699-5247
M&H 365 LLC	2161 Cape Heather Cir	Cape Coral	FL	33991-3504	(239) 289-7661
YADANAR ENTERPRISES INC.	867 Moonluster Dr.	Casselberry	FL	32707	(321) 277-4657
Lian Lian	2035 Kings Highway Apt 1	Clearwater	FL	33755-1240	(904) 910-6831
Lian Lian	2035 Kings Highway Apt 1	Clearwater	FL	33755-1240	(904) 910-6831
SUSHI PEARL INC	13201 Olesen Ct	Clermont	FL	34711	(407) 234-4784
Paul Lian	215 Thornbush Pkwy	Davenport	FL	33837	(980) 349-1884
MERCY CHIT TOE, LLC.	5023 Ferndale Dr	Delray Beach	FL	33484-1711	(954) 881-3276
OQ ENTERPRISE LLC	10140 Tin Maple Dr, Unit 22	Estero	FL	33928-7403	(626) 382-6061
MORNING STAR BLESSED INC.	3800 Van Buren St	Hollywood	FL	33021	(954) 544-9490
LWE NI ENTERPRISES INC	707 SE 34th Terrace	Homestead	FL	33033	(305) 484-8871
Naung Latt Zaw	10 Colubrina Ct	Homosassa	FL	34446	(770) 539-4008
Naung Latt Zaw	10 Colubrina Ct	Homosassa	FL	34446	(770) 539-4008
HARRY THAN LLC.	9112 Eaton Ave	Jacksonville	FL	32211	(239) 270-2740
JUMAFER LLC.	959 Emerald Green Ct	Kissimmee	FL	34746	(407) 403-3314
Van Mawi	1201 Seminole Blvd. Apt 259	Largo	FL	33770	(432) 413-9231
Van Mawi	1201 Seminole Blvd. Apt 259	Largo	FL	33770	(432) 413-9231
LUNG DEIH LLC.	308 Loch Lomond Ave	Longwood	FL	32750-2911	(407) 990-2444
FUJI MOON INC.	1105 Anolas Way	Lutz	FL	33548	(813) 842-5380
EDEN SUSHI INC	8133 SW 118th Pl	Miami	FL	33183	(305) 450-5746
P. FAMILY, INC.	4236 S.W 124 Terrace	Miramar	FL	33027	(954) 591-6173
GAWNG MUAL SUSHI, LLC.	2861 PINE RUN RD., Apt 103	Naples	FL	34109	(813) 409-0304
YUKI KHIN ENTERPRISE INC	3515 Hunting Creek Loop	New Port Richey	FL	34655	(727) 271-1661
Ngun Zung	3634 Heron Island Drive	New Port Richey	FL	34655-3027	(727) 678-1519
HEH PIH NA INC.	16118 NE 21st Ave Apt 18	North Miami Beach	FL	33162-4909	(305) 467-3487
TAT NAY TUN INC.	6939 Alpert Dr	Orlando	FL	32810	(407) 923-0331
MYO & TOE ENTERPRISES, INC.	8359 Lake Crowell Cir	Orlando	FL	32836	(407) 492-5594
LAWKANET INC.	3407 Potomac Creek Ct	Orlando	FL	32837-4014	(407) 301-2578
HENRY SAY SUSHI & BOWLS LLC.	16 Bruning Ln	Palm Coast	FL	32137	(779) 423-3991
HAO CHI SUSHI INC.	4520 Southpointe Lane	Pensacola	FL	32514	(850) 418-8664
CHANG & KHAW ENTERPRISES, INC.	269 North Mill View Way	Ponte Vedra	FL	32082	(904) 866-1591
CHANG & KHAW ENTERPRISES, INC.	269 North Mill View Way	Ponte Vedra	FL	32082	(904) 866-1591
AKNEOPANEY LLC.	452 Arch Ridge Loop	Seffner	FL	33584	(813) 810-8360
AKNEOPANEY LLC.	452 Arch Ridge Loop	Seffner	FL	33584	(813) 810-8360
HANWOOREE INC.	809 Montague Dr	St Johns	FL	32259-5953	(904) 536-0317
LIA LEH TAANG SUSHI INC.	5000 42nd. St. South	St. Petersburg	FL	33711	(727) 647-8698
Lal Thang	8624 Boysenberry Dr	Tampa	FL	33635-6204	(813) 764-1022
Lal Siam Piang	3303 N Lakeview Dr 4111	Tampa	FL	33618	(727) 739-4388
Ma Biak	3914 Hunt Rd, Unit 101	Tampa	FL	33614	(813) 850-1832
D & N LIAN, LLC.	715 E Lime St.	Tarpon Springs	FL	34689-4706	(432) 312-5172
D & N LIAN, LLC.	715 E Lime St, 907	Tarpon Springs	FL	34689	(432) 312-5172
SUSHI IKURA CORP.	2164 Weaver Bird Ln	Venice	FL	34292	(412) 407-0921
SUSHI IKURA CORP.	2164 Weaver Bird Ln	Venice	FL	34292	(412) 407-0921
L & M COLOSSAL SUSHI INC.	1114 W 13th Sq	Vero Beach	FL	32960-2118	(407) 480-9821
L & M COLOSSAL SUSHI INC.	1114 W 13th Sq	Vero Beach	FL	32960-2118	(407) 480-9821
L & M COLOSSAL SUSHI INC.	1114 W 13th Sq	Vero Beach	FL	32960-2118	(407) 480-9821
Cung Nai Thang	7248 Parkersburg Dr.	Wesley Chapel	FL	33545-8300	(904) 219-1053
ASIAMERICA LLC.	1348 Axel Circle	Winter Haven	FL	33880	(863) 602-6327
SEEWEEED SEE CORPORATION	13385 Avensong Ives Way	Alpharetta	GA	30004-4999	(678) 200-9899
Rina Wu	540 Windswept Way	Alpharetta	GA	30022	(678) 559-2788
Rina Wu	540 Windswept Way	Alpharetta	GA	30022	(678) 559-2788
Haiying Zheng	10625 Morton Chase Way	Alpharetta	GA	30022	(906) 369-3787
MERCY LIGHT INC	308 Ashbrook Lane	Athens	GA	30605	(770) 757-6976
Thang Do Lian	430 Parkway Drive NE, Apt #401	Atlanta	GA	30308	(469) 643-8814
Min Geon Park	3385 Commons Gate Bend	Berkeley Lake	GA	30092	(404) 993-8756
Moses Santhawng Lian	4280 S Lee St, Apt -G4,	Buford	GA	30518-6007	(678) 682-4845
J&H TOP CHOICE, LLC.	3480 Keith Bridge Rd	Cumming	GA	30041-5546	(404) 536-6671
Maung Suan Kim	1037 Longshore Cv	Decatur	GA	30032-2381	(407) 300-4466
Yan Jiang	3091 Harris Mill Court	Duluth	GA	30096	(626) 688-1213

**AFC Food Service Counters  
Franchise Location Transfers in the  
Year Ending March 31, 2024**

FC Name	Address	City	State	Zip	Phone
Zar Ni Mya Tun	1504 Danton Dr.	Elberton	GA	30635	(919) 538-2271
Lang Le Sang	1300 Springmont Ct	Lawrenceville	GA	30043-5462	(980) 333-1067
Christopher Chao	444 Laurel Springs Ct.	Lawrenceville	GA	30044	(404) 992-1309
FORTUNE STONE INC.	1183 Colony Creek Ct.	Lawrenceville	GA	30043	(678) 702-2888
Henry Tlan	1441 Jernigan Bluff	Lawrenceville	GA	30045	(770) 379-3065
Henry Tlan	1441 Jernigan Bluff	Lawrenceville	GA	30045	(770) 379-3065
Uk Te	2755 Lady Guinevere Ln	Lawrenceville	GA	30044	(678) 596-0969
KHENKHUP FAMILY, LLC.	734 Lobdale Falls Dr	Lawrenceville	GA	30045	(404) 734-4493
TUANG CHINKHEK MUVANLAI	4625 English Oaks Ln NW	Lilburn	GA	30047-3539	(404) 566-1273
Vijay Solomon	375 Tambec Trace NW	Lilburn	GA	30047-2864	(404) 454-6713
Thang K. Khup	151 Parkway North # 803	Newnan	GA	30265	(470) 396-6889
Thang K. Khup	151 Parkway North # 803	Newnan	GA	30265	(470) 396-6889
SIENVONTAWI LLC.	205 Soithwind Circle	Newnan	GA	30265	(786) 355-9081
SIENVONTAWI LLC.	205 Soithwind Circle	Newnan	GA	30265	(786) 355-9081
LUNG TUP LLC	5830 Flo Circle	Norcross	GA	30093-5123	(334) 663-3267
HTEIN LYNN INC	500 Mt. Vernon Way	Peachtree City	GA	30269	(404) 964-3936
KLM SUSHI INC	256 Saint Catherine CIR	Richmond Hill	GA	31324-6514	(912) 312-6911
KHAI LEK SUSHI INC	6515 CONCORD RD	SAVANNAH	GA	31410-2526	(305) 457-3947
Dal Mang	5445 Summer Cove Dr	Stone Mountain	GA	30087-2838	(912) 239-7414
Dal Mang	5445 Summer Cove Dr	Stone Mountain	GA	30087-2838	(912) 239-7414
SHWE MYANMAR INC.	5445 Summer Cove Dr	Stone Mountain	GA	30087	(404) 717-5463
Sun Hee Kim	4392 Park Vista Lane	Sugar Hill	GA	30518	(770) 633-1100
Rucui Sun	325 River Walk Terrace	Suwanee	GA	30024	(678) 697-5138
DIAMOND SUSHI LLC	4560 Sims Park Overlook	Suwanee	GA	30024	(626) 986-9769
Alina Dai Morgan	550 New Haven Dr	Suwanee	GA	30024	(678) 748-0201
4i SUSHI	3976 Church View Ln	Suwanee	GA	30024	(770) 905-9315
4i SUSHI	3976 Church View Ln	Suwanee	GA	30024	(770) 905-9315
K S LEE LLC.	98-1643 Apala Loop	Aiea	HI	96701	(808) 386-8842
SFV CORPORATION	632 11th Ave	Honolulu	HI	96816-6404	(808) 233-8129
Alexio Dashi	4279 Kailewa St	Lihue	HI	96766	(808) 339-4448
Zin Lar Ngang	3906 Hoozuki St.	Lihue	HI	96766	(817) 666-9027
Aye Win	905 12th Street	West Des Moines	IA	50265	(515) 203-0049
Batheny Htwe	5754 N Collister Dr	Boise	ID	83703-3828	(208) 703-9596
Khai Mun Sang	625 Holbrook Dr	Idaho Falls	ID	83401-4165	(513) 328-7294
PARADISE of INTERNATIONAL TASTE INC	4447 N. Mooney Falls Way	Meridian	ID	83646	(908) 938-1265
Pum Lam Thang	436 E Whitman St	Pocatello	ID	83201	(208) 206-9199
Thuy Phuong Nguyen	251 Woodstone Circle	Buffalo Grove	IL	60089-6702	(847) 749-5549
Thuy Phuong Nguyen	251 Woodstone Circle	Buffalo Grove	IL	60089-6702	(847) 749-5549
Hun Jung Yang	2149 Silver Linden Ln	Buffalo Grove	IL	60089	(847) 208-0888
Hun Jung Yang	2149 Silver Linden Ln	Buffalo Grove	IL	60089	(847) 208-0888
Sang Uk	6035 W 64th Pl, Apt. 8	Chicago	IL	60638-5346	(432) 250-1971
Thia Ong	4303 Valle Forge Rd., Apt. C	Mount Vernon	IL	62864-6932	(618) 214-8458
K SUSHI INC.	1520 Keck Ridge Rd	O Fallon	IL	62269	(314) 623-8179
Thang Ja Knuip	2S536 Cynthia Dr	Warrenville	IL	60555-1320	(918) 237-5368
Thang Ja Knuip	2S536 Cynthia Dr	Warrenville	IL	60555-1320	(918) 237-5368
TUUN & JUAVANG	3316 Foxboro DR., APT C	Woodridge	IL	60517-4443	(630) 597-8599
Tin Mang Hlawnceu	3426 W Pointe Dr., Apt#3A	Elkhart	IN	46514	(574) 252-1787
Janurot Banya	129 W Essex Ln	Fort Wayne	IN	46825	(260) 797-2932
Cung San Lal	1801 Country Dr. Apt 102	Grayslake	IN	60030-3152	(317) 374-2615
Aaron Sawana	8582 Compton Street	Indianapolis	IN	46240	(317) 756-8713
Aaron Sawana	8582 Compton Street	Indianapolis	IN	46240	(317) 756-8713
AIBUR TLANG LLC.	7542 Donegal Dr	Indianapolis	IN	46217	(480) 290-5366
BEST IN TOWN, INC.	119 Golden Tree Ln	Indianapolis	IN	46227	(865) 456-2880
Bawi Thawng	5325 Bluff View DR	Indianapolis	IN	46217	(317) 619-3833
HRIPHI INC.	1750 Raleigh Ave., Apt F	Kendallville	IN	46755-2554	(727) 432-5409
Khamh Thang	1716 N. 9TH Street RD, APT. 11	Lafayette	IN	47904-5029	(317) 756-7259
Amy Zou	4315 Bellmore St.	Bel Aire	KS	67220	(316) 305-6552
Daimond Glorious	911 5th Ave., Apt # 7	Dodge City	KS	67801-4354	(620) 430-2611
Seng Lum Marip	512 Rockledge Rd Apt. A4	Lawrence	KS	66049-2564	(402) 541-3822
Soe Soe Hlaing	105 Mackie Lane	Louisville	KS	40214	(347) 841-3893
Ze Tsai Tangbau	1951 Crescent Dr	Manhattan	KS	66503	(717) 480-7988
Mark Khun	6353 N Randall Dr	Park City	KS	67219	(316) 304-2241
Mark Khun	6353 N Randall Dr	Park City	KS	67219	(316) 304-2241
LIGHT STAR INC.	3749 Winthrop Dr	Lexington	KY	40514	(859) 552-7568
Cung Lian Bik	8001 Annella Way	Louisville	KY	40219	(251) 422-4193
KT SUSHI INC.	8214 Siesta Way	Louisville	KY	40219	(502) 408-1060
Uk Thiang	4408 Naneen Drive	Louisville	KY	40216	(502) 533-4858
Fredy Siang Lian Mang	8001 Annella Way	Louisville	KY	40219	(251) 348-2220
Khuang Sui	1293 Lipps Ln	Louisville	KY	40219	(502) 930-9693
Khuang Sui	1293 Lipps Ln	Louisville	KY	40219	(502) 930-9693
Thawng khan Khuai	11505 Andalee Dr.	Louisville	KY	40272	(502) 528-3818
Soe Than Ohn	306 Beacon Hill	Versailles	KY	40383	(765) 491-5915

**AFC Food Service Counters  
Franchise Location Transfers in the  
Year Ending March 31, 2024**

FC Name	Address	City	State	Zip	Phone
Thla Hlei Sang	19600 N 12th St, Apt. 1208	Covington	LA	70433-8214	(214) 772-3243
LAL SUSHI LLC.	1129 Papworth Ave	Metairie	LA	70005	(504) 300-7773
Van Tha Bik	2118 W Old Spanish TRL Apt T8	New Iberia	LA	70560-3412	(432) 236-2375
Ngun Thluai	402 Wisteria St	Thibodaux	LA	70301	(317) 410-7975
Sheng Tao Lin	265 New Ludlow Rd. Apt. B5	Chicopee	MA	01020-4331	(917) 528-4530
Hlawn Kim	10 Roberts Ave	Catonsville	MD	21228-3136	(443) 445-2211
HANG YEE SUSHI LLC.	8828 Cross Country Pl	Gaithersburg	MD	20879	(240) 888-0269
YUZANA INC	9264 Maxwell Ct	Laurel	MD	20723	(301) 821-6558
MYA THITSAR INC.	15805 Haynes Rd	Laurel	MD	20707	(240) 441-0451
Blak Ceu Ling	844 3rd Ave Apt 202	Excelsior	MN	55331	(585) 719-7823
S D ASIA LLC	15948 Dakota Lane	Rosemount	MN	55068-2570	(612) 388-7351
OH ENTERPRISES LLC	332 Eureka Rd.	Eureka	MO	63025	(636) 221-2669
VDELICIOUS LLC	4134 Kay Ct.	St. Louis	MO	63116	(314) 939-9598
NGEI SOK LLC.	3615 Sulphur Ave	St. Louis	MO	63109	(314) 598-8405
NGEI SOK LLC.	3615 Sulphur Ave	St. Louis	MO	63109	(314) 598-8405
OISHI SUSHI INC.	176 Granite Hill LN	Great Falls	MT	59405-8052	(406) 899-9316
Mang Hlei	314 Meadowview Dr, Apt. 402	Boone	NC	28607	(432) 661-8611
JKS SUSHI LLC.	16 Linden Rd.	Cameron	NC	28326	(980) 229-3424
THAI CHAN SUSHI INC.	3004 Brushy Mountain St.	Cary	NC	27519	(919) 717-6599
Thein Thein	9505 Ridgeforest Dr.	Charlotte	NC	28277	(704) 996-4558
Myint Myint Oo	5321 Manning Rd.	Charlotte	NC	28269	(704) 615-8236
Aung Soe	8400 Mayerling Dr.	Charlotte	NC	28227	(980) 230-5615
KHAILIAN LLC.	7701 Mallen Dr.	Charlotte	NC	28212	(704) 390-6979
Si Le Tha	3105 Platinum Pointe Dr	Charlotte	NC	28227	(704) 449-0459
Yeunsoo Cho	3543 Manor House Dr	Charlotte	NC	28270	(704) 293-5122
Dawt Len Sung	636 Weyburn Dr. NW	Concord	NC	28027	(317) 370-6073
Aye Aye Aung	406 Jernigan Rd	Dunn	NC	28334	(910) 441-8840
VENA SUSHI LLC	1909 Raj Dr.	Durham	NC	27703-9381	(515) 867-0591
VENA SUSHI LLC	1909 Raj Dr.	Durham	NC	27703-9381	(515) 867-0591
Jhnea Mwal Bigjahongsar	200 E. Lockhaven Dr, Apt. 5B	Goldsboro	NC	27534	(919) 432-7743
Stephen Van Hre Lal	1817 Eric Drive	Graham	NC	27253	(919) 448-4931
Myint Myint Thein	1838 Morrow School Rd.	Graham	NC	27253	(260) 466-8447
David Lian	208 Old Treybrooke Dr	Greensboro	NC	27406	(336) 554-0335
Rungsun Rojanaporn	2604 Antoine Dr	Greensboro	NC	27407	(336) 392-0381
Hrang Liana	1522 Jordan Place.	High Point	NC	27260	(336) 858-8570
MASTER SUSHI ZUK CO.	3770 Brack Nell Dr UNIT 3-H	High Point	NC	27265	(225) 573-2624
WELL-BEING FRESH FOOD CORP	7709 Greylock Ridge Rd.	Matthews	NC	28105	(704) 807-1838
Edith Ekate Mak	13015 Philips Rd	Matthews	NC	28105	(917) 301-2628
Ji Rem Mawi Mang	1205 Torrey Pines CT	Mebane	NC	27302-7940	(919) 619-2154
Kaliani Zing	9405 Stoney Glen Dr	Mint Hill	NC	28227	(980) 415-0441
Van Bawi Hum	152 Wolfsnare Ln	Morrisville	NC	27560-7061	(317) 551-0721
Dah Takyrbashew	855 Washington Post Rd. Lot 107	New Bern	NC	28562	(252) 876-2968
PHYU WIN SUSHI INC	31 Springdale Dr.	Pittsboro	NC	27312	(919) 444-2835
Thuya Zaw	4922 Arcadian Ct .Apt. A	Raleigh	NC	27616	(910) 789-7529
Zaw Min Soe	219 Tanglewood Drive	Southern Pines	NC	28387	(479) 430-6585
LAOKHAM INC	7200 Orchard Trce	Wilmington	NC	28409-2823	(586) 208-0171
Michael Monseik	808 Dunbrook Dr	Winterville	NC	28590	(252) 349-2475
Hram Zel	2705 Duane Ave	Bellevue	NE	68123	(816) 558-2229
Sui Bik	6962 N 87th AVE	Omaha	NE	68122-5426	(806) 421-9119
Sui Bik	6962 N 87th AVE	Omaha	NE	68122-5426	(806) 421-9119
Saugying Gawmaw	10512 Hartman Ave	Omaha	NE	68134	(402) 321-8869
Kyaw Naing Tun	3308 4TH St. NW, Apt.309	Albuquerque	NM	87107-1367	(505) 910-5826
Aung Aung	1011 E Navajo St, Apt 3	Farmington	NM	87401	(505) 675-8720
Tun Lin Szul	2600 E. Idaho Ave. #110	Las Cruces	NM	88011	(214) 299-0529
Nia Wiechen	5831 Lost Valley St.	Las Vegas	NV	89113	(310) 467-0626
MK THANG STAR LLC.	100A Osborne Rd	Albany	NY	12205	(518) 505-9179
MK THANG STAR LLC.	100A Osborne Rd	Albany	NY	12205	(518) 505-9179
Charlie Kyaw	8943 201st Street	Hollis	NY	11423-2105	(518) 512-6342
Charlie Kyaw	8943 201st Street	Hollis	NY	11423-2105	(518) 512-6342
THAR THAR LLC.	31 Harrison Ave #2	Rensselaer	NY	12144	(518) 512-1483
Suan Kham Mang	8226 S College Pl	Tulsa	OK	74137	(918) 829-3958
NAING SUSHI, LLC.	726 NE Savannah Dr	Bend	OR	97701	(929) 260-8741
Maung Tak Aun	1375 Lorien LN	Eugene	OR	97404	(801) 819-8497
Mang Sian Pau	901 N Pecan Ct Apt 28	Newberg	OR	97132-1961	(503) 701-7250
ZAW MIN SUSHI LLC.	6132 SE Lambert St	Portland	OR	97206-8160	(248) 277-6578
Sung Hngel Zoong Lwe	26 Sunfield Court	Greer	SC	29650	(864) 593-5019
Than Sang Pui	407 Chartwell Drive	Greer	SC	29650	(864) 901-9771
Lai Nei Mawl	307 Riello Drive	Greer	SC	29650-0953	(864) 293-8821
VAN FAMILIES LLC.	320 Trail Branch CT	Greer	SC	29650	(864) 434-3145
Ram Nei	644 Kent Ln Apt. 69A	Myrtle Beach	SC	29579	(843) 504-5235
Thang Lam Suan Piang	465 Crossroads Dr.	North Augusta	SC	29841-5315	(717) 333-2479
Kunthea Suon	119 Cableswynd Way	Summerville	SC	29485-6410	(440) 681-0666

AFC Food Service Counters  
Franchise Location Transfers in the  
Year Ending March 31, 2024

FC Name	Address	City	State	Zip	Phone
Bawm Nan	1356 Bombadil Ln	Antioch	TN	37013	(615) 419-2410
Bawm Nan	1356 Bombadil Ln	Antioch	TN	37013	(615) 419-2410
Paul Khup	605 N Bend Rd	Beech Grove	TN	46107	(206) 708-5193
LAI ZOM LLC.	303 Big Springs Rd	Bell Buckle	TN	37020	(561) 449-4055
MUNAU GROUP, LLC.	2618 Carr ST, APT. 3	Chattanooga	TN	37408-3030	(517) 515-9399
Nitser Sung Lian	1003 Stonebrook Dr.	Dickson	TN	37055-1792	(301) 514-5602
Govani Ko	144 Mason St. Apt. 1	Greeneville	TN	37745-4049	(443) 415-0563
Ping Rong Guo	212 Hart Lane	Labanon	TN	37087	(724) 301-7386
Maung Maung Kyaw	1705 Haley's Hope Court	Nashville	TN	37209	(615) 480-8982
Khawm Khen Mang	3678 Richbriar Ct.	Nashville	TN	37211-4918	(615) 293-1987
Cingsiandim Mary	724 Saint Francis Ave	Smyrna	TN	37167-6365	(954) 297-3946
Fang Yu Lin	2880 Commonwealth Dr Unit 427	Spring Hill	TN	37174	(678) 709-6300
Kyaw Thu Ya	2230 Laurel St.	Amarillo	TX	79109-1918	(806) 282-0122
Kil Hnem Sung	27 Auburn Dr.	Edgecliff Village	TX	76134-1200	(816) 646-6656
Ah Pong	6813 BELLROSE DR, APT 14	EL PASO	TX	79925-3602	(214) 541-8146
Iang Tha Cin	2216 Nottingham St.	Flower Mound	TX	75028-3551	(469) 464-6861
TOPA THUPHA LLC	1130 Dove Dr	Garland	TX	75040	(214) 415-3097
TOPA THUPHA LLC	1130 Dove Dr	Garland	TX	75040	(214) 415-3097
ARSENAL GREAT SERVICE LLC.	15319 Corona Del Mar Dr	Houston	TX	77083	(832) 322-6684
Tha Khun	1105 N18th St. Apt. 509	Killeen	TX	76541	(254) 393-7361
Tun Aung	1724 Cliffrose Lane	Lewisville	TX	75067	(972) 704-4022
Lai Ceu Hlei	5743 110th Street	Lubbock	TX	79424-6069	(214) 600-2251
Sathaporn Saengjit	3874 Waythorn Place	Fairfax	VA	22033	(202) 716-2264
KYAW ENTERPRISES INC.	6800 Edgeware Lane	Glen Allen	VA	23059	(804) 937-8104
KYAW ENTERPRISES INC.	6800 Edgeware Lane	Glen Allen	VA	23059	(804) 937-8104
KYAW ENTERPRISES INC.	6800 Edgeware Lane	Glen Allen	VA	23059	(804) 937-8104
KYAW ENTERPRISES INC.	6800 Edgeware Lane	Glen Allen	VA	23059	(804) 937-8104
Jhonna Nadonza Gutierrez	846 Moyer Rd.	Newport News	VA	23608-3140	(757) 532-5131
Aung Toe Lwin	1156 Old Clubhouse Rd	Virginia Beach	VA	23453	(757) 831-1875
Jeong Sun Kim	1208 100th PINE	Bellevue	WA	98004	(206) 973-6292
Seinko Theinkang	941 NW Sawmill Ct.	Bremerton	WA	98311-9451	(682) 702-0448
Lai Lian	24239 13th PL S	Des Moines	WA	98198-7808	(206) 235-5475
Hsu Mon U	21649 SE 299th Way	Kent	WA	98042-9232	(954) 243-8338
Thawng Uk	500 Summit Ave N	Kent	WA	98030	(206) 380-6611
Ko Kyaw Myat Min	10215 Lundeun Parkway, Apt. B2	Lake Steven	WA	98258-8584	(206) 530-6179
Keon Woo Park	9318 33rd Ave. S	Lakewood	WA	98499	(831) 760-6511
Lai Pek Lian	760 N Central Dr APT 235	Moses Lake	WA	98837	(206) 485-6937
Vung Zuan Kham	945 N. Oak Harbor St. Apt. B203	Oak Harbor	WA	98277	(630) 286-2070
Kelvin Bo	948 Neil Street NE, Apt # 31	Olympia	WA	98516	(774) 993-8172
Kyung S. Lee	2828 Chambers Bay Ct.	Steilacoom	WA	98388	(253) 363-0101
Toksu Chong	3903 78th Avenue CT W, Apt E208	University Place	WA	98466-3289	(360) 591-9116
CHYEJU SUSHI LLC	5500 NE Fourth Plain Blvd #16	Vancouver	WA	98661	(360) 910-9907
GOLDEN ROLL CORP	8368 Lennox St	West Richland	WA	99535-5532	(919) 951-5847
Tin Win San	120 Eagle Dr	Maidsville	WV	26541	(304) 906-7839
Chelsea Aye Aye Soe	480 S. 2nd St., Apt 5	Lander	WY	82520	(716) 572-2628

If you buy this franchise, your contact information may be disclosed to other buyers when you leave the franchise system.

AFC Food Service Counters  
Terminated List  
As of March 31, 2024

FCName	FCHomeAddress	City	State	Zip	Phone
Sue Vue	16533 Old Glenn Hwy, Spc. 22	Chugiak	AK	99567-6942	(907) 726-7803
Mary Thia Riewe	1014 1st St.	Kenai	AK	99611-7204	(907) 947-7573
Min Lwin Aung	903 Boddie Ln	Auburn	AL	36830	(910) 508-1081
Ye Thway Aung	330 Woodbrook Dr APT G-146	Gardendale	AL	35071	(917) 960-5233
Ye Thway Aung	330 Woodbrook Dr APT G-146	Gardendale	AL	35071	(917) 960-5233
Abraham Nai Lian	4401 Spartacus Dr. SW Apt. 153	Huntsville	AL	35805	(317) 722-9026
Je Hrum Nghak	60 Good Hope Rd	Lineville	AL	36266	(463) 246-0695
MO JO SUSHI LLC.	1009 Dawsons Pointe Ave	Bryant	AR	72022-8071	(501) 247-8871
Kee Choi	1576 E Cottonwood LN, #1028	Casa Grande	AZ	85122	(480) 275-0426
Bong Ho Jun	1277 W Falls Canyon Dr	Casa Grande	AZ	85122	(619) 882-3121
Dawt Za Cung	3816 E John L Ave	Kingman	AZ	86409-2333	(319) 486-0731
Mi Hye Bellisle	1310 S. Pima St. #60	Mesa	AZ	85210	(480) 558-6001
JJMOI LLC.	3817 W Augusta Ave	Phoenix	AZ	85051	(480) 506-8672
KHAING THAZIN NYINT LLC.	4706 N 16th Dr APT 3	Phoenix	AZ	85015	(602) 384-6377
Ceu Za Thawng	8524 E Lakeshore Dr., Apt. B	Prescott Valley	AZ	86314	(623) 419-3303
Mary Sui	10455 E Via Linda, Apt. 132	Scottsdale	AZ	85258	(817) 766-0184
Mary Sui	10455 E Via Linda, Apt. 132	Scottsdale	AZ	85258	(817) 766-0184
Cer Chin Par	1160 N Bison Gold CT	Show Low	AZ	85901-3016	(903) 487-8746
Cer Chin Par	1160 N Bison Gold CT	Show Low	AZ	85901-3016	(903) 487-8746
Ray Htun	450 W. Cool Dr. Apt # 307	Tucson	AZ	85704	(515) 528-4237
Ah Si Lee	2345 N Craycroft Rd Apt 264	Tucson	AZ	85712-2841	(757) 310-7869
WENDY OO CORPORATION	2100 Valley View Pkwy, Apt# 2326	El Dorado Hills	CA	95762	(510) 362-1376
OO FAMILY INC.	2100 Valley View Pkwy, Apt 2326	El Dorado Hills	CA	95762-5546	(510) 399-9145
Hanhua Fan	8860 Sheldon Terrance Ln	Elk Grove	CA	95758	(916) 779-9128
Weijun Situ	8946 Criollo CT	Elk Grove	CA	95757	(915) 481-9725
Mo Manyuan	36157 Cabrillo Dr.	Fremont	CA	94536-5545	(925) 384-8038
AMMP LLC.	179 Cozumel	Laguna Beach	CA	92651-4451	(585) 690-4914
JOESOEP CORP	659 S. Cloverdale Ave. Apt. 106	Los Angeles	CA	90036	(213) 440-1118
BARAKA TRADES LLC.	10617 Palms Blvd.	Los Angeles	CA	90034	(310) 849-4126
BARAKA TRADES LLC.	10617 Palms Blvd.	Los Angeles	CA	90034	(310) 849-4126
NGWE TUN LLC.	2700 Del Medio Ct, Apt 225	Mountain View	CA	94040	(415) 802-5206
Lin Liu	1411 Skibbereen Way	Rocklin	CA	95765	(510) 299-1975
NYEIN THET FAMILY INC.	1624 Manza Cir	Roseville	CA	95678	(560) 883-7803
SHU FEN MA INC.	131 Summer Stroll Cir	Sacramento	CA	95823	(916) 798-6704
HONMARU SUSHI INC.	4020 Neapolis Ln	Sacramento	CA	95834	(916) 212-4758
XI HAN INCORPORATION	11340 Vista Sorrento Pkwy, 300	San Diego	CA	92130	(626) 493-5672
WEFOOD LLC.	668 Cooper Ave. # 1	Yuba City	CA	95991	(707) 913-9758
Than Zaw Aung	12549 E 31st Ave	Aurora	CO	80011	(720) 710-6665
Than Zaw Aung	12549 E 31st Ave	Aurora	CO	80011	(720) 710-6665
Bawi Siang Bik	3567 Heather Glen Dr.	Colorado Springs	CO	80922	(432) 818-3747
Bawi Siang Bik	3567 Heather Glen Dr.	Colorado Springs	CO	80922	(432) 818-3747
Hmun Cung	5179 Belle Star Dr	Colorado Springs	CO	80922-3608	(432) 556-4264
Robert John	1541 Bergen PKWY	Evergreen	CO	80439-7925	(563) 316-4597
Tiantian Liu	31 Bee St APT 1	Meriden	CT	6450	(312) 451-8638
Than Tun Min	468 Fairway Rd	Orange	CT	6477	(860) 841-6068
Than Tun Min	468 Fairway Rd	Orange	CT	6477	(860) 841-6068
EVER SHINE LLC	94 Westgate St.	West Hartford	CT	06110-1869	(860) 436-1124
EVER SHINE LLC	94 Westgate St.	West Hartford	CT	06110-1869	(860) 436-1124
Thin Doh	115 Goodwin Ave	Wethersfield	CT	6109	(860) 461-2934
KAWPSIAM & GUIITE, INC.	904 Summer Breeze Dr.	Brandon	FL	33511-7034	(561) 670-8140
KAWPSIAM & GUIITE, INC.	904 Summer Breeze Dr.	Brandon	FL	33511-7034	(561) 670-8140
KAMI INARI JP GROUP	2281 Nova Village Dr.	Davie	FL	33317	(424) 265-9298
Jin Jin Mou	11876 SW 29th Pl	Gainesville	FL	32608	(407) 924-5949
SIAN PIAK SUSHI LLC.	925 NE 13th AVE	Homestead	FL	33033-4519	(716) 533-8190
PTL SUSHI LLC.	5322 Oxford Gable Lane East	Jacksonville	FL	32257	(904) 329-5394
Van Nei Cuang	1201 Seminole Blvd., Apt # 259	Largo	FL	33770	(440) 983-8426
Van Nei Cuang	1201 Seminole Blvd., Apt # 259	Largo	FL	33770	(440) 983-8426
Thang Zam Pau	961 SW Consolata Ave.	Port St Lucie	FL	34953	(772) 203-9890
Thang Zam Pau	961 SW Consolata Ave.	Port St Lucie	FL	34953	(772) 203-9890
Dal Sawm Khai	850 Capital Drive, Apt 2112	Tallahassee	FL	32303	(352) 598-6051
BUSARA SUSHI LLC.	2111 Brandywine Rd., Apt 735	West Palm Beach	FL	33409	(561) 635-2396
BUSARA SUSHI LLC.	2111 Brandywine Rd., Apt 735	West Palm Beach	FL	33409	(561) 635-2396
NEW ESPERANZA INC.	1250 Brighton Ln	Bogart	GA	30622	(404) 667-9406
Peter Lian	4941 Wilcox Way	Columbus	GA	31907	(706) 536-1355
TUUNNEEM LLC.	3587 Swallow Ln	Decatur	GA	30032	(678) 592-3326
Liming Zhang	5365 Hickory Knoll	Norcross	GA	30071	(678) 622-5480

AFC Food Service Counters  
Terminated List  
As of March 31, 2024

FCName	FCHomeAddress	City	State	Zip	Phone
Eh Hser Gay Paw	565 S Workland LN, APT 101	Boise	ID	83709-0597	(208) 616-6079
Eh Hser Gay Paw	565 S Workland LN, APT 101	Boise	ID	83709-0597	(208) 616-6079
Moe Kyaw Aung	301 SW Cutler Cir	Mountain Home	ID	83647	(208) 828-2163
Yu Yu Swe	728 Double Jack St, Apt -D	Bourbonnais	IL	60914	(203) 556-8320
RAM SUSHI INCORPORATED	163 W Division St Apt 314	Chicago	IL	60610-1983	(616) 304-0128
Tuang Cin Khar	470 RAINTREE CT, Unit 2D	Glen Ellyn	IL	60137	(630) 379-6593
Tuang Cin Khar	470 RAINTREE CT, Unit 2D	Glen Ellyn	IL	60137	(630) 379-6593
Fung Than Hre	1801 Country Dr., APT 102	Grayslake	IL	60030	(319) 212-4451
Tei Thau Lai	3341 Commercial Ave APT 8	South Chicago Heights	IL	60411	(317) 748-6244
Ah Ra Hkinphang	202 N Morgan Ave	Wheaton	IL	60187-4626	(917) 304-7072
Jaw Sorn	122 Riley Place	Fort Wayne	IN	46825-8409	(260) 249-5606
Zaw Lin	3815 Plymouth Rd	Fort Wayne	IN	46815	(702) 890-0557
Zaw Lin	3815 Plymouth Rd	Fort Wayne	IN	46815	(702) 890-0557
Tiang Thang	1520 timber village dr	Greenwood	IN	46142	(317) 364-1076
Tiang Thang	1520 timber village dr	Greenwood	IN	46142	(317) 364-1076
MI MI Zan	4857 Oakton Way	Greenwood	IN	46143-8375	(317) 967-3673
MI MI Zan	4857 Oakton Way	Greenwood	IN	46143-8375	(317) 967-3673
Apollo Thawngza Thang	3111 Silvercliff Cir	Indianapolis	IN	46217	(470) 658-1227
Hkawn Mai	8659 Manor Ave Apt D	Monster	IN	46321	(281) 406-6296
Thawng Za Cung	224 Taylor Dr. Apt. 4	Lexington	KY	40511-2168	(502) 434-1056
Laban Hlichal	P.O. Box 322	Galliano	LA	70354	(985) 258-6463
Laban Hlichal	P.O. Box 322	Galliano	LA	70354	(985) 258-6463
VEEL MANAGEMENT INC.	5730 Hemlock St.	Lake Charles	LA	70605-8125	(703) 304-0632
Kap Cung	402 Wisteria St.	Thibodaux	LA	70301	(252) 288-2739
Thiha Swe	88 Mckay St	Beverly	MA	1915	(860) 234-8300
Thiha Swe	88 Mckay St	Beverly	MA	1915	(860) 234-8300
BJ BROTHERS COMPANY	15 Pequot Rd.	North Weymouth	MA	02191-1638	(617) 347-5029
MAKI CORNER 27 CORP.	250 West St, 26	Ware	MA	1082	(347) 578-4271
MAKI CORNER 27 CORP.	250 West St, 26	Ware	MA	1082	(347) 578-4271
Mya Than	75 Lexington St	Watertown	MA	2472	(315) 351-6477
Mya Than	75 Lexington St	Watertown	MA	2472	(315) 351-6477
Mya Than	75 Lexington St	Watertown	MA	2472	(315) 351-6477
Mya Than	75 Lexington St	Watertown	MA	2472	(315) 351-6477
Dhamchoe Phuntsok	41 Amesbury St	Worcester	MA	1605	(207) 390-5660
Dhamchoe Phuntsok	41 Amesbury St	Worcester	MA	1605	(207) 390-5660
Khen Khup Thang	5653 Calyn Rd	Baltimore	MD	21228	(443) 908-3944
Khen Thawng	6032 Toomey Ln	Elkridge	MD	21075	(410) 349-6559
Nay Tun Lin	1181 Coulbourn Corner	Glen Burnie	MD	21060-8369	(646) 897-5330
Steven Lian Uk	7305 W Springbrook CT	Middletown	MD	21769	(240) 815-0789
Steven Tun Soe	12627 English Orchard Ct.	Silverspring	MD	20906	(301) 844-1501
Neng Vue	4421 5th Street NE	Columbia Heights	MN	55421	(763) 248-9395
VDELICIOUS LLC.	4134 Kay Ct	St Louis	MO	63116	(314) 939-9598
VDELICIOUS LLC.	4134 Kay Ct	St Louis	MO	63116	(314) 939-9598
Kyaw Lwinoo Nhkum	8709 Decorum Dr	St. Louis	MO	63123	(314) 359-6685
Allen Colbert Charles	16 Wally D Lane	Belgrade	MT	59714	(646) 591-1437
Allen Colbert Charles	16 Wally D Lane	Belgrade	MT	59714	(646) 591-1437
HAUKHUP LLC.	5176 Jackrabbit Lane, Apt H	Belgrade	MT	59714	(561) 657-2663
Hua Yu Tong	1004 Monmouth Loop	Cary	NC	27513	(626) 216-7640
La Seng	1006 Bent Willow Dr.	Durham	NC	27704	(919) 408-1971
SMILE, LLC.	1336 Bozeman Loop APT 50	Fayetteville	NC	28303	(803) 397-0772
Khin Zaw Lin Maung	5016 6th Ave. N, APT. 1	Grand Forks	ND	58203	(248) 260-8441
Thang Tha Par	6039 Meridian Dr 419	Lincoln	NE	68504	(402) 676-2584
Par Chin	800 24th St	Alamogordo	NM	88310-5470	(214) 809-0708
Kevin Win	1479 Clark Rd	Santa Fe	NM	87507	(917) 624-8576
Brang Nan Hting Nan	5 Loring Place	Rochester	NY	14624	(585) 754-3566
Brang Nan Hting Nan	5 Loring Place	Rochester	NY	14624	(585) 754-3566
THI CUISINE INC.	206 Elsner St	Syracuse	NY	13203	(315) 484-8487
THI CUISINE INC.	206 Elsner St	Syracuse	NY	13203	(315) 484-8487
Van Biak Mang	331 Craig St	Syracuse	NY	13208	(315) 925-9656
Van Biak Mang	331 Craig St	Syracuse	NY	13208	(315) 925-9656
Van Biak Mang	331 Craig St	Syracuse	NY	13208	(315) 925-9656
Myint Aung	100 McChesney Ave., Apt. 16	Troy	NY	12180-8875	(347) 737-3401
Myint Aung	100 McChesney Ave., Apt. 16	Troy	NY	12180-8875	(347) 737-3401
Chan Loon	1174 Brown ST.	Akron	OH	44301	(330) 645-5446
TNMIN LLC.	2770 NE Sedalia Loop	Bend	OR	97701	(541) 728-7978
May Phoo Pwint Khine	5024 SE Llewellyn ST	Milwaukie	OR	97222-4397	(503) 382-7777

AFC Food Service Counters  
Terminated List  
As of March 31, 2024

FCName	FCHomeAddress	City	State	Zip	Phone
NERMOO, LLC.	949 NE 175TH AVE	Portland	OR	97230-6511	(971) 244-2487
NERMOO, LLC.	949 NE 175TH AVE	Portland	OR	97230-6511	(971) 244-2487
BLUE WATER SUSHI, LLC.	4595 NW Neskowin Ave	Portland	OR	97229	(503) 270-1616
YT DIVERSE LLC.	1331 SE 179th Ave.	Portland	OR	97233	(503) 901-6315
GRAB & GO LLC.	1331 S.E. 179th Ave.	Portland	OR	97233	(971) 302-0720
SHWE TAUNG GYI LLC	1550 Q St, APT.48	Springfield	OR	97477	(603) 820-7851
ARAKAN MURWINN LLC	1550 Q St, Apt. 31	Springfield	OR	97477	(406) 209-5047
Ye Ni Htun	288 1/2 Hillside Ave.	Edwardsville	PA	18704-2319	(978) 235-6768
Siang Lin	1800 Salem Rd, APT 6D	Beaufort	SC	29902	(269) 580-3629
Tial Zing	3220 Hatchet Bay Dr. Apt. 3311	Charleston	SC	29414-5212	(214) 837-5881
Zai Kung	1900 N Highway 17. APT C3	Mount Pleasant	SC	29464-3317	(214) 994-7099
Zai Kung	1900 N Highway 17. APT C3	Mount Pleasant	SC	29464-3317	(214) 994-7099
Tial K Lian	600 Belle Point Drive, Apt #11	Mount Pleasant	SC	29464	(317) 746-9024
Aung Naing Lwin	407 E Minnesota ST, APT. 310	Rapid City	SD	57701-8661	(607) 237-3148
David Vanro Sum	2765 Shad St	Rapid City	SD	57703	(417) 365-0440
Gig Pu	6150 Old Forest Road	Antioch	TN	37013	(615) 917-8670
Min Zaw	1224 Gentry Dr.	Clarksville	TN	37043-1638	(270) 392-8701
Run Hlei Sum Thang	104 Carlton Drive	Hendersonville	TN	37075	(615) 335-2901
Thomas Zaw Zaw	7439 Highway 70th South Apt. #240	Nashville	TN	37221	(317) 966-7611
Thomas Zaw Zaw	7439 Highway 70th South Apt. #240	Nashville	TN	37221	(317) 966-7611
Steven Awn Sian Khuai	12 Elderbrook Lane	Elderbrook Village	TX	76134	(817) 968-6307
Steven Awn Sian Khuai	12 Elderbrook Lane	Elderbrook Village	TX	76134	(817) 968-6307
Lian Zamang Zathang	1702 Timbercreek Dr	Garland	TX	75042	(469) 528-0190
William Sang	1415 Stella Dr.	Lewisville	TX	75067	(469) 771-9750
Thawng Cin Zam	1037 W State Cir	Salt Lake City	UT	84104	(801) 403-9436
Min Oo Kyaw	9639 Westport Ln	Burke	VA	22015	(571) 275-0422
Seng Bu Lahtaw	1500 Ricky Road	Charlottesville	VA	22901	(240) 615-7477
Tialceu Zathang	11713 Potomac Crossing way, Apt. 23	Fairfax	VA	22030	(443) 750-0598
Tialceu Zathang	11713 Potomac Crossing way, Apt. 23	Fairfax	VA	22030	(443) 750-0598
Tialceu Zathang	11713 Potomac Crossing way, Apt. 23	Fairfax	VA	22030	(443) 750-0598
CIARAS SUSHI LLC.	710 Galahad Dr	Newport News	VA	23608-1808	(757) 802-0521
CIARAS SUSHI LLC.	710 Galahad Dr	Newport News	VA	23608-1808	(757) 802-0521
Samson Khiangte	5000 Owens Way, Apt.213	Prince George	VA	23875	(252) 349-1481
Iris Ngun Siang Par	2702 Pleasantdale Rd Apt. 103	Vienna	VA	22180	(703) 655-4238
JPC GROUP, LLC.	9813 Fox Rest Ln.	Vienna	VA	22181	(703) 626-2003
NNT ENTERPRISE, INC.	1728 Rexton Street	Virginia Beach	VA	23454	(562) 388-5690
Thet Mar Lwin	1332 Benjamin St	Clarkston	WA	99403-2463	(806) 407-7902
WOH HING INTERNATIONAL INC.	1445 W. University Way	Ellensburg	WA	98926	(971) 275-0287
San Mawng Nei Lian	4230 Hoyt Ave. Apt. #15	Everett	WA	98203	(253) 224-1356
Blak Nawl Ceu	21402 121st PL. SE	Kent	WA	98031	(206) 643-2415
Thawng Uk	500 Summit Ave N	Kent	WA	98030	(206) 380-6611
Thawng Uk	500 Summit Ave N	Kent	WA	98030	(206) 380-6611
Dong Khan Mung	27109 SE 116th Place	Kent	WA	98030	(206) 383-7259
Dong Khan Mung	27109 SE 116th Place	Kent	WA	98030	(206) 383-7259
Zhe Liu	6812 N Wiscomb ST	Spokane	WA	99208	(331) 551-8889
Tee Mu	1423 E Joseph Ave	Spokane	WA	99208	(385) 216-0909
Tee Mu	1423 E Joseph Ave	Spokane	WA	99208	(385) 216-0909

If you buy this franchise, your contact information may be disclosed to other buyers when you leave the franchise system.

## AFC Food Service Counters

## Non-Renewal List

As of March 31, 2024

FCName	FCHomeAddress	City	State	Zip	Phone
SUSHI LOCO, LLC.	520 Sandfield Ct.	Montgomery	AL	36117	(334) 467-1988
Thang Cin Lian	222 Kyser Blvd, Apt 52	Madison	AL	35758	(786) 535-0471
Than Ko	7018 N 34th Ave.	Phoenix	AZ	85051	(520) 833-8028
Wenchao Chen	4061 Aragon Dr.	San Diego	CA	92115	(619) 272-1267
DE WU ZHU INC	9246 Marlemont Cir.	Elk Grove	CA	95758	(916) 896-2788
OHNNY GOODY INC.	5025 STETSON STREET	ROSEVILLE	CA	95747	(916) 850-5591
Moe Pwint Aung	1612 Maplewood Rd	Fort Collins	CO	80524	(720) 224-7264
Moe Pwint Aung	1612 Maplewood Rd	Fort Collins	CO	80524	(720) 224-7264
Moe Pwint Aung	1612 Maplewood Rd	Fort Collins	CO	80524	(720) 224-7264
Moe Pwint Aung	1612 Maplewood Rd	Fort Collins	CO	80524	(720) 224-7264
Tariso FNU	174 Woodlands Dr	Hartford	CT	6105	(724) 503-0944
Min Lwin	37496 Oliver Dr.	Selbyville	DE	19975	(702) 418-4766
Min Lwin	37496 Oliver Dr.	Selbyville	DE	19975	(702) 418-4766
Langh Kim Mang	2916 W Arthur Ave, Apt A2	Chicago	IL	60645	(312) 721-6144
Nay Tun Win	224 Gladys Ave	Fox River Grove	IL	60021	(224) 200-2675
Win Maung Langle	2087 Willow Brooke Dr. Apt 2c	Woodstock	IL	60098	(224) 575-2155
Daniel NL	524 Castle Creek Rd, 13901	Binghamton	NY	13901	(918) 645-3261
Daniel NL	524 Castle Creek Rd, 13901	Binghamton	NY	13901	(918) 645-3261
Vang, Nai	28784 SW Ashland Loop, Apt 214	Wilsonville	OR	97070	(559) 430-9875
HACKSAW LLC.	718 Hamilton St	Lancaster	PA	17602	(717) 224-4598
Linda V BIAKKOONG	15 Sunset Blvd W	Battle Creek	SC	49017	(269) 339-4525
Linda V BIAKKOONG	15 Sunset Blvd W	Battle Creek	SC	49017	(269) 339-4525
Lian Lian	7 Waccamaw Way	Beaufort	SC	29906	(803) 800-5701
Ko Ko Mang	2610 Fir Pl SE	Aurburn	WA	98092	(206) 458-0731
Ko Ko Mang	2610 Fir Pl SE	Aurburn	WA	98092	(206) 458-0731
Thang Khan Sian	12240 SE 60th St, APT 42	BELLEVUE	WA	98006	(206) 397-7097
Y Nhu Hyunh	4227 E. Upriver Dr.	Spokane	WA	99217	(509) 995-5353

If you buy this franchise, your contact information may be disclosed to other buyers when you leave the franchise system.

AFC Food Service Counters  
Ceased Operations  
as of March 31, 2024

Name	Address	City	State	Zip	Phone
TRIPLE DIAMOND YADANAR CORP.	3404 Lowther Way	Antelope	CA	95843	(669) 236-7631
THAN WIN INC. (Than Win)	12164 Persimmon Terrace.	Auburn	CA	95603	(916) 475-4505
Amanda Huh	1483 De La Vina St.	Chula Vista	CA	91913	(619) 587-1414
Chi Ho Yam	3244 Port Pacific Lane	Elk Grove	CA	95758	(916) 838-7013
JIE PING TAN INC.	4612 Bosal Ct	Elk Grove	CA	95758	(916) 588-7206
Khin Ma Ma Zaw	10013 Schuler Ranch Rd.	Elk Grove	CA	95757	(650) 302-2285
ISEKAI	10049 Dona Neely Way	Elk Grove	CA	95757	(916) 831-0931
ISEKAI	10049 Dona Neely Way	Elk Grove	CA	95757	(916) 831-0931
SHUSHI AND HOT FOOD LLC.	114 Main St. Apt#201	Jackson, CA 85642	CA	85642	(432) 244-6416
Roi San	5200 Marathon St. Apt. 201	Los Angeles	CA	90038-5305	(213) 554-9553
AHMK FAMILY LLC.	3657 Keystone Ave Apt 1	Los Angeles	CA	90034-5609	(424) 385-2695
Maung Maung Aye Chan	10844 Dunbar Way	Rancho Cordova	CA	95670	(408) 677-6993
LIAM TUN CORP. (Yar Zar Tun)	12212 Hetch Hechy Dr	Rancho Cordova	CA	95742	(916) 412-8566
SANDALWIN SUSHI LLC.	11862 Fire Agate Way	Rancho Cordova, CA 95742	CA	95742	(650) 270-7019
Yuri Hong	3088 Alderwood PL	Roseville	CA	95747	(916) 956-1606
SHWE LIN YONE LLC.	7950 Foothills Blvd, Unit 48	Roseville, CA 95747	CA	95747	(279) 675-0088
JINWIN INC.	5501 40th Ave	Sacramento	CA	95824	(916) 698-9686
K & L SUSHI BAR LLC.	850 Plymouth Ave.	San Francisco	CA	94112	(415) 490-6480
Myo T Oo	372 Susie Way Apt. 1	South San Francisco	CA	94080	(408) 421-0924
SANAY HTOO SUSHI INC.	2720 SE 15th Rd	Homestead	FL	33035	(904) 294-5813
Dim Sian Ngaih	8150 Point Meadows Drive Apt 1201	Jacksonville	FL	32256	(904) 537-5366
BETHEL CORP.	13721 SW 113th Ln #0	Miami	FL	33186-5741	(786) 519-7819
H&Y FOOD SERVICE LLC.	1755 NE 180th St	North Miami Beach	FL	33162-1501	(929) 393-3383
ZAWL LUI INC	871 NW 85th Terrace Apt# 1703	Plantation	FL	33324	(954) 300-8728
Pau Lian Khai	861 NW 85th Ter Apt 1811	Plantation	FL	33324-1247	(954) 300-8728
LULUN MAMANG CORP	12671 Buckland St	Wellington	FL	33414-6222	(561) 389-9028
Joshua Van Lian	1970 Champions Pkwy	Lawrenceville	GA	30044	(470) 269-3503
Van N. Kim	1808 S Cross Lakes Cir Apt B	Anderson	IN	46012-4928	(765) 615-1541
Jordan Cinzah	8306 Ehlerbrook Rd.	Indianapolis	IN	46237	(317) 300-9372
Mang Cer Ki	123 Beau Arbre CT	Covington	LA	70433	(317) 478-7433
Mang Cer Ki	123 Beau Arbre CT	Covington	LA	70433	(317) 478-7433
Ngun Bor Cin	721 Olivia Ln	Greta	LA	70056	(504) 799-9358
San Za Kap	1024 Price Dr.	Harvey	LA	70058	(504) 598-6043
TITUSBAWI SUSHI LLC. (Phun Bawi)	727 Hutchinson St	Mandeville	LA	70448	(469) 348-6825
Awnra Dayu	736 Heavens Dr., Unit #7	Mandeville	LA	70471	(817) 739-4755
Awnra Dayu	736 Heavens Dr., Unit #7	Mandeville	LA	70471	(817) 739-4755
Aye Mya Kyi Wa-Ga	942 Labarre Street	Mandeville	LA	70448	(985) 288-9860
Aye Mya Kyi Wa-Ga	942 Labarre Street	Mandeville	LA	70448	(985) 288-9860
Htoi Seng Ra Lazum	2516 BOURGEOIS LN	Marrero	LA	70072	(985) 773-8989
Van Lal Cung Za	3409 Severn Ave., #105	Metairie	LA	70002	(985) 414-9821
Naw Ja Lahpai	5021 Hearst St	Metairie	LA	70001	(504) 516-5733
HKAHKU (Htoi San Sinpraw)	4016 Lake Villa Dr.	Metairie	LA	70002	(504) 516-3189
Mung Dan Mashaw	8508 Dumonte Street	Metairie	LA	70003	(504) 616-8630
Htaw Li Naw Dayu	8508 Dumonte St.	Metairie	LA	70003	(904) 434-5326
Mung Pawn Tu	3928 S. I-10 Service Rd., Apt # 109	Metairie	LA	70001	(314) 473-7031
Zuni Lian	1770 Tchoupitoulas St., Apt 105	New Orleans	LA	70130	(404) 429-5063
Zam Boih	201 State Street, Apt #A	New Orleans	LA	70118	(469) 685-3091
Zam Boih	201 State Street, Apt #A	New Orleans	LA	70118	(469) 685-3091
VAN'S SUSHI, LLC.	676 Fairfield Loop	Slidell	LA	70458	(518) 312-9612
Cung Bik Lian	857 Mystic Avenue	Terrytown	LA	70056	(574) 355-5892
Ram Hu Lal	402 Wisteria Dr	Thibodaux	LA	70301	(985) 413-4600
USHA ENTERPRISE INC.	25 Round Hill Street Apt 2	Jamaica Plain	MA	2130	(857) 265-1904
Mai Kao Lee	921 Euclid St #1A	St Paul	MIN	55106	(612) 458-7095
Mayra Gardea	107 Rainey Lane	New Albany	MS	38652	(859) 693-2240
AL WINBERT CORPORATION	466 68th Street 1R	Brooklyn	NY	11220	(347) 856-1667
Ye Myint Naing	4225 76th Street	Elmhurst	NY	11373	(347) 837-5259
Ye Myint Naing	4225 76th Street	Elmhurst	NY	11373	(347) 837-5259
Ye Myint Naing	4225 76th Street	Elmhurst	NY	11373	(347) 837-5259
THAGYAR CO.	1718 Bryden Rd	Columbus	OH	43205	(614) 500-0775

AFC Food Service Counters  
Ceased Operations  
as of March 31, 2024

Name	Address	City	State	Zip	Phone
THAGYAR CO.	1718 Bryden Rd	Columbus	OH	43205	(614) 500-0775
Mang Men Thluai	300 N Autumn Crest Place	Taylors	SC	29687	(864) 329-6787
Jonathan Omar Narvaez Esparza	1312 International St.	Edinburg	TX	78539-2101	(956) 420-2100
Oh Young Kwon	4054 Midlands Rd	Williamsburg	VA	23188-2582	(757) 947-4306
Kyaw Peik	15036 29th Ave. S	Seatac	WA	98188-2006	(253) 202-9269
Wera Karla	475 S. Westhaven Drive, Apt. E-201	Oshkosh	WI	54904	(920) 216-9697

If you buy this franchise, your contact information may be disclosed to other buyers when you leave the franchise system.

AFC Food Service Counters  
List of Franchises Reacquired by Franchisor  
In the year ended March 31, 2024

Name	Address	City	State	Zip
Ye Thway Aung	3014 Allison Bonnett Memorial Dr	Hueytown	AL	35023
Je Hrum Nghak	1800 Honda Drive	Lincoln	AL	35096
Ye Thway Aung	3201 Endeavor Ln	Vestavia Hills	AL	35242
Bong Ho Jun	1637 N Trezell Rd.	Casa Grande	AZ	85122
Kee Choi	1637 N Trezell Rd.	Casa Grande	AZ	85122
JJ MOI LLC.	16605 E. Palisades	Fountain Hills	AZ	85268
Ceu Za Thawng	7720 E. Highway 69	Prescott	AZ	86314
Ah Si Lee	3275 N. Swan Rd.	Tucson	AZ	85712
BARAKA TRADES LLC.	1190 N. Main St	Bishop	CA	93514
OO FAMILY INC.	3380 Coach In	Cameron Park	CA	95682
BARAKA TRADES LLC.	481 Old Mammoth Rd	Mammoth Lakes	CA	93546
Weijun Situ	1915 Douglas Blvd	Roseville	CA	95661
XI HAN INCORPORATION	638 Camino del los Mares	San Clemente	CA	92673
Hmun Cung	7055 Austin Bluffs Parkway	Colorado Springs	CO	80923
Robert John	27152 Main Street	Conifer	CO	80433
Than Tun Min	83 Stony Hill Road	Bethel	CT	06801
Thin Doh	67 Prospect Hill Road	E Windsor	CT	06088
Thawng Cin Zam	1705 West Broadway St.	Idaho Falls	ID	83402
Yu Yu Swe	655 Main St. NW	Bourbonnaise	IL	60914
Fung Than Hre	965 E. Rollins Rd	Round Lake Beach	IL	60073
Laban Hlichal	2113 S Alex Plaisance Blvd	Golden Meadow	LA	70357
VEEL MANAGEMENT INC.	5665 Nelson Road	Lake Charles	LA	70605
Laban Hlichal	13086 Highway 3235	LaRose	LA	70373
Kap Cung	1428 Crescent Ave	Lockport	LA	70374
Khen Khup Thang	14101 Darnestown Rd.	Germantown	MD	20874
Nay Tun Lin	143 Ritche Hwy N	Severna Park	MD	21146
Neng Vue	8600 North 114th Avenue	Champlin	MN	55316
VDELICIOUS LLC.	11253 St. charles Rock Rd	Bridgeton	MO	63044
VDELICIOUS LLC.	2511 Kehrs Mill Rd	Chesterfield	MO	63017
SMILE, LLC.	1017 Canopy Lane	Fort Bragg	NC	28310
Khin Zaw Lin Maung	380 Warrior Dr.	Grand Forks AFB	ND	58205
Brang Nan Hting Nan	390 W. MAIN STREET	BATAVIA	NY	14020
Brang Nan Hting Nan	128 W. MAIN STREET	Leroy	NY	14482
TNMIN LLC.	642 East 3rd St	Bend	OR	97701
ARAKAN MURWINN LLC	1500 Coburg Rd.	Eugene	OR	97401
NERMOO, LLC.	17779 Lower Boones Ferry Rd.	Lake Oswego	OR	97035
Ye Ni Htun	180 Westside Mall	Edwardsville	PA	18704
Steven Awn Sian Khual	6220 US Hwy 287	Arlington	TX	76017
Steven Awn Sian Khual	833 NE Alsbury Road	Burleson	TX	76028
William Sang	100 W. Southlake Blvd	Southlake	TX	76092
Tialceu Zathang	1550 Crystal Dr.	Arlington	VA	22202
Tialceu Zathang	10360 Fairfax Blvd	Fairfax	VA	22030
Min Oo Kyaw	19350 Winmeade Dr.	Lansdowne	VA	20176
Tialceu Zathang	7807 Sudley Rd	Manassas	VA	20109
Dong Khan Mung	21301 Hwy 410	Bonneylake	WA	98380
Thet Mar Lwin	400 Bridge St	Clarkston	WA	99403
Thawng Uk	9620 28th Ave. SW	Seattle	WA	98126
Thawng Uk	4754 42nd Ave. SW	Seattle	WA	98116
NGWE TUN LLC.	600 Franklin St	Shelton	WA	98584
Biak Nawl Ceu	17202 15TH AVE NE	Shoreline	WA	98155
San Mawng Nei Lian	17520 SR 9 SE	Snohomish	WA	98296
Tee Mu	933 Mission Ave	Spokane	WA	99202
Tee Mu	6520 North Nevada St	Spokane	WA	99208

If you buy this franchise, your contact information may be disclosed to other buyers when you leave the franchise system.

Wild Blue Franchise List  
As of March 31, 2024

Franchisee Name	Address	City	State	Zip	Phone
AUNG, Baby	350 Student Center Cir	Mobile	AL	36688	(251) 4606101
KWAG, Gijjong	1050 S. Knoles Drive	Flagstaff	AZ	86011	(928) 523-3975
AYE, Ko Thein	4701 W Thunderbird Road	Glendale	AZ	85306	(602) 543-5000
MAUNG, Win Htwe	5999 S. Backus Mall	Mesa	AZ	85212	(480) 727-1585
AUNG, Zay Zay	120 East Taylor Street	Phoenix	AZ	85004	(602) 496-1310
MUANG, Cin Za	3300 West Camelback Road	Phoenix	AZ	85017	(602) 639-7500
NA, Hyeon Mi	6500 Soquel Drive	Aptos	CA	95003	(408) 460-0199
ZAYAR, Nai	438 Plaza Ave	Arcata	CA	95521	(707) 826-3011
YU, Tianshu	11340 South St (B)	Cerritos	CA	90703	(888) 280-4331
KHAING, Myo Myo	16325 Ventura Blvd	Encino	CA	91436	(888) 280-4331
Ma, Kun	1100 S Harbor Blvd	Fullerton	CA	92832	(888) 280-4331
LEE, Moonhee	1509 East Campus Drive	Fullerton	CA	92834	(657) 278-1661
THANG, Ngun	25800 Carlos Bee Blvd.	Hayward	CA	94542	(510) 885-4791
KIM, Taeho	6911 Warner Ave	Huntington Beach	CA	92647	(888) 280-4331
SOE, Maung Min	13672 Jamboree Rd	Irvine	CA	92602	(888) 280-4331
KIM, Taeho	1610 W Imperial Hwy	La Habra	CA	90631	(888) 533-5659
LAI, Dongquan	6235 E Spring St	Long Beach	CA	90808	(888) 280-4331
ROT, Nai Saikae	6855 S La Cienega Blvd	Los Angeles	CA	90045	(888) 599-5653
Ji, Young Chel	742 E Los Angeles Ave	Moorpark	CA	93021	(888) 280-4331
PUANGCHAN, Phatsany Nina	40481 Murrieta Hot Springs Rd	Murrieta	CA	92563	(888) 280-4331
SEO, Byung Mo	18111 Nordhoff St.	Northridge	CA	91330	(818) 677-1200
SUSANTO, Cathrine Cahya	5000 MacArthur Blvd.	Oakland	CA	94613	(510) 430-2255
SOE, Steve	3425 E Colorado Blvd	Pasadena	CA	91107	(888) 280-4331
PAY, Hla	5500 University Parkway	San Bernardino	CA	92407	(909) 537-5000
PAING, Khin Ei Ei	Paseo de San Carlos	San Jose	CA	95112	(408) 924-1000
MAY, Kyu Kyu	211 S. 9th Street	San Jose	CA	95192	(408) 924-1000
YAN, Shang Xiuzi	211 S. 9th Street	San Jose	CA	95192	(408) 924-1000
KYAW, Dawi	301 Market St.	Santa Clara	CA	95053	(408) 389-9380
WIN, Kyaw Zin Lat	140 Promenade Way	Thousand Oaks	CA	91362	(888) 280-4331
HTIN, Henry	1 University Cir	Turlock	CA	95382	(209) 667-3666
LAU, James Pak-Kit	15225 Whittier Blvd	Whittier	CA	90603	(888) 280-4331
AUNG, Hnin Sandar	6245 Topanga Canyon Blvd	Woodland Hills	CA	91367	(888) 280-4331
NAWL, Zion Za	1100 North Avenue	Grand Junction	CO	81501	(970) 248-1020
SUSU, Chaw	168 Grove Street	New Haven	CT	06511	(203) 436-9127
MOE, Aung Soe	620 Michigan Ave NE	Washington	DC	20064	(202) 319-5000
THITE, Saw Min	777 Glades Rd.	Boca Raton	FL	33431	(561) 297-3548
HTOO, Hser Tha You	421 N Woodland Blvd	Deland	FL	32723	(386) 822-7000
AUNG , Yu Khine	Turlington Hall 330 Newell Dr.	Gainesville	FL	32603	(352) 392-2492
LEE, Kyung-Ja	1 UNF Dr	Jacksonville	FL	32224	(904) 620-2543
SHEMZA, Meerya	1000 Holt Ave	Winter Park	FL	32789	(407) 6462000
HUO, Qiaomin	404 Georgia Circle	Dahlonega	GA	30597	(678) 717-3639
HMUNG, Nelson	404 W Army Trail Rd	Bloomington	IL	60188	(888) 280-4331
RUAN, Yun F.	828 S. Wolcott Ave	Chicago	IL	60612	(312) 996-7000
ENG, Sung	1351 E Ogden Ave	Naperville	IL	60563	(888) 280-4331
UK, Khrih Thian	3116 S. Route 59th	Naperville	IL	60564	(888) 280-4331
ENG, Za	7229 West 24th St.	North Riverside	IL	90546	(888) 280-4331
SWE, Min	16 East Golf Road	Schaumburg	IL	60016	(888) 280-4331
CHEN, Dingnan	900 East Seventh Street	Bloomington	IN	47405	(812) 855-4848
SAN, San	109 B Nunn Drive	Highland Heights	KY	41099	(859) 572-6036
CHAN, Steven Samuel	6363 Saint Charles Ave. BOX 243	New Orleans	LA	70118	(504) 865-2014
HMUNG, Pyang Van	31 McAlister Drive	New Orleans	LA	70118	(504) 865-5294
ZA, Van Lal Cung	104 Ellendale-NSU Dr.	Thibodaux	LA	70310	(985) 852-1315
BIAN, Chao	300 The Fenway	Boston	MA	02115	(617) 521-2000
XU, Han Qing	100 Main Market Place	Cambridge	MA	02139	(617) 324-1668
XU, Hanchen	84 Massachusetts Ave	Cambridge	MA	02139	(617) 253-1000
WANG, Ling	320 Washington St	North Easton	MA	02356	(508) 565-1000
MAUNG, Shan Y	1215 Wilbraham Road	Springfield	MA	01119	(413) 782-3111
BIAN, Chao	415 South St.	Waltham	MA	02453	(781) 736-2000
REH, Poe	577 Western Ave	Westfield	MA	01086	(413) 572-5300
GYATSO, Sherap	950 Main Street	Worcester	MA	01610	(508) 793-7711
MAUNG, Soe Lwin	24 Boynton St.	Worcester	MA	01605	(508) 831-5000
WOSE, Xirao	486 Chandler St	Worcester	MA	01602	(508) 752-1118
SEI, Thang	5463 Wisconsin Ave	Chevy Chase	MD	20815	(888) 280-4331
LI, Yun	312 Meadow Brook Road	Rochester	MI	48309	(248) 370-2100
LAL, Cung Uk	900 Oakwood St	Ypsilanti	MI	48197	(734) 487-1849
VANG, Payee	300 Washington Ave SE	Minneapolis	MN	55455	(612) 625-5000
YANG, Khoua	2004 Randolph Ave	St. Paul	MN	55105	(651) 690-8719
SENG, Htoi	17 Arnold Grobman Dr.	St. Louis	MO	63121	(314) 516-5451
MON, Myat Myat	511 South Holden Street	Warrensburg	MO	64093	(660) 543-4174
WIN, Maung Myo	9201 University City Blvd	Charlotte	NC	28223	(704) 687-8622
LIAM, Lin Ngun	405 N Main Street	Davidson	NC	28035	(336) 698-5945
Mawi, Sui Hlawn	100 Dalton McMichael Dr.	Elon	NC	27244	(336) 278-5333

Wild Blue Franchise List  
As of March 31, 2024

Franchisee Name	Address	City	State	Zip	Phone
NYEIN, Steven	1601 E. Market Street	Greensboro	NC	27411	(336) 455-6171
CHO, San	833 Montlieu Ave	High Point	NC	27262	(800) 345-6993
SAI, Soe Win	601 South College Rd.	Wilmington	NC	28403	(910) 962-3000
THANG, Kaam Sian	220 N Camden RD	Wingate	NC	28174	(704) 233-8000
MARTIN, SAM	1 Normal Ave	Montclair	NJ	07043	(973) 655-4036
SHON, JASON	30 E Ridgewood Ave	Paramus	NJ	07652	(888) 280-4331
TUN, Thant Z	Jadwin Gym/Faculty Road	Princeton	NJ	08544	(609) 258-3000
TUAN, Mung Khan	1600 International Mall	Las Cruces	NM	88003	(575) 646-0111
THANG, Moung	1400 Washington Ave	Albany	NY	12222	(518) 442-3300
THANG, Moung	1400 Washington Ave	Albany	NY	12222	(518) 442-3300
THANG, Awn Kee	106 New Scotland Ave	Albany	NY	12208	(518) 694-7349
HTING NAN, Brang Nan	1000 E. Henrietta Road	Rochester	NY	14623	(585) 292-2513
TUN NAING, Si Thu	807 Union Street	Schenectady	NY	12308	(518) 388-6000
AUNG, Nwe Nwe	15th Street and Sage Ave.	Troy	NY	12180	(518) 276-6000
XUE, Ying	283 Cleveland Ave	Columbus	OH	43215	(614) 287-5353
OO, Nilar	40 Rowland Ave, Spring	Delaware	OH	43015	(800) 922-8953
LI, Mengxue	1075 Risman Drive	Kent	OH	44242	(330) 672-2541
LI, Leah	135 W. Lorain St.	Oberlin	OH	44074	(330) 730-1950
MANG, Suan Kham	440 South Gary	Tulsa	OK	74104	(918) 6312000
TUN, Zin Zin	2043 College Way	Forest Grove	OR	97116	(503) 352-2217
BIK, Duh	250 University Ave	California	PA	15419	(724) 938-4000
THET, Aye A	2755 Station Ave	Center Valley	PA	18034	(610) 282-1100
WANG, Wenpan	3330 Market Street	Philadelphia	PA	19148	(215) 895-2000
THAWNG LIAN, Melvin Ngun	3725 Sutherland Dr	Pittsburg	PA	15213	(412) 624-4141
THAWNG LIAN, Melvin Ngun	3595 Forbes Ave	Pittsburg	PA	15213	(412) 624-4141
THAWNG LIAN, Melvin Ngun	3301 Fifth Ave	Pittsburgh	PA	15213	(800) 333-2275
THAWNG LIAN, Melvin Ngun	3990 Fifth Ave (Cathedral)	Pittsburgh	PA	15213	(412) 624-4141
SAING, Ponnyar	4765 Forbes Ave	Pittsburgh	PA	15213	(626) 421-9606
THAWNG LIAN, Melvin Ngun	3990 Fifth Ave	Pittsburgh	PA	15213	(412) 624-4141
THAWNG LIAN, Melvin Ngun	3990 Fifth Ave	Pittsburgh	PA	15213	(412) 624-4141
Lian, Hrang Za	200 Campus Drive	Slippery Rock	PA	16057	(724) 738-4950
WAWN, Chang	110 W Rosedale Avenue	West Chester	PA	19382	(610) 436-1000
LYNN, Tin	1 Old Ferry Rd.	Bristol	RI	02809	(401) 254-3735
MANG, Rebeccaex Khuat	1 University Park Drive	Nashville	TN	37204	(615) 966-1000
LUN, Vung T	3001 S. Congress Ave	Austin	TX	78704	(512) 448-8400
SENG, Thkunmin	300 Olsen Blvd	College Station	TX	77845	(979) 458-1826
LIAN, Hram Hmun	1155 Union Circle	Denton	TX	76203	(940) 565-2000
KHAI, Hau Cin	4700 CALHOUN RD	Houston	TX	77204	(713) 743-2255
KHAI, Hau Cin	2700 Bay Area Blvd	Houston	TX	77058	(713) 221-8000
HAU, Dim Deih	1 Main St	Houston	TX	77002	(713) 221-8000
CHOIE, Salai Thang	1802 Avenue I	Huntsville	TX	77340	(936) 294-1111
LABYA, La Seng	2601 N. Floyd Rd. (SU-23)	Richardson	TX	75080	(972) 883-2111
CIAKIP, Tluang Hnin	11052 ASU Station	San Angelo	TX	76909	(325) 9422555
CIN, Sui	2115 University Circle	Ogden	UT	84408	(801) 626-6000
LIN, Maung Htin	200 South Central Campus Drive	Salt Lake City	UT	84112	(801) 581-7200
BUBAN, Bernadette	7005 Manchester Blvd	Franconia	VA	22310	(888) 280-4331
HA, Yong Hui	1301 Carrier Dr.	Harrisonburg	VA	22807	(540) 568-6237
TANG BAU, Ya Ku	395 South High Street	Harrisonburg	VA	22801	(540) 568-4543
TANG BAU, Ya Ku	800 S. Main Street	Harrisonburg	VA	22807	(540) 568-6211
Pyae, Hsu Latt	9409 Lorton Market St	Lorton	VA	22079	(888) 280-4331
NAW, Kiss	590 Main St	Burlington	VT	05405	(802) 656-3131
MAWII, Lal	1701 S Commons	Federal Way	WA	98003	(800) 250-0668
LIAN, Za	901 12AVE	Seattle	WA	98122	(206) 296-6000
BO, Nai Bo Rot Mon	100 Grant St.	De Pere	WI	54115	(920) 403-3156

If you buy this franchise, your contact information may be disclosed to other buyers when you leave the franchise system.

Wild Blue Company Owned Locations  
As of March 31, 2024

Operator Name	Address	City	State	Zip	Phone
AFCFC	3211 Providence Drive	Anchorage	AK	99508	(907) 786-1800
AFCFC	2229 Foothill Blvd	La Verne	CA	92691	(888) 280-4331
AFCFC	1250 Bellflower Blvd.	Long Beach	CA	90840	(562) 985-4111
AFCFC	5101 Lankershim Blvd	Los Angeles	CA	91601	(888) 280-4331
AFCFC	26940 Crown Valley Pkwy	Mission Viejo	CA	92691	(888) 280-4331
AFCFC	19340 Rinaldi St	Northridge	CA	91326	(818) 363-3933
AFCFC	22135 Hawthorne Blvd	Torrance	CA	90503	(888) 280-4331
AFCFC	14249 Whittier Blvd	Whittier	CA	90605	(888) 280-4331
AFCFC	22001 Ventura Blvd	Woodland Hills	CA	91364	(888) 280-4331
AFCFC	1733 14th St NW #2	Washington	DC	20009	(888) 280-4331
AFCFC	222 W. Merchandise Mart Plaza	Chicago	IL	60654	(888) 280-4331
AFCFC	130 E. Randolph St	Chicago	IL	60601	(888) 280-4331
AFCFC	113 S Franklin St	Chicago	IL	60606	(888) 280-4331
AFCFC	600 W. Chicago Ave	Chicago	IL	60654	(888) 280-4331
AFCFC	500 W. Madison	Chicago	IL	60606	(888) 280-4331
AFCFC	6939 Dempster St	Morton Grove	IL	60053	(888) 280-4331
AFCFC	4211 N. Harlem Ave	Norridge	IL	60706	(888) 280-4331
AFCFC	4031 W 95th St.	Oak Lawn	IL	60453	(888) 280-4331
AFCFC	30 W 63rd St	Westmont	IL	60559	(888) 280-4331
AFCFC	8525 Chevy Chase Lake Terrace	Chevy Chase	MD	20815	(800) 250-0668
AFCFC	1400 Townsend Drive	Houghton, MI	MI	49931	(906) 476-1885
AFCFC	200 College Dr.	Blackwood	NJ	08012	(856) 374-4965
AFCFC	720 Northern Blvd	Brookville	NY	11548	(516) 299-3668
AFCFC	3620 Long Beach Rd	Oceanside	NY	11572	(888) 280-4331
AFCFC	101 Broad St	Plattsburg	NY	12901	(518) 564-2000
AFCFC	2924 Springfield Road	Broomall	PA	19008	(800) 250-0668
AFCFC	389 Easton Rd	Warrington	PA	18976	(888) 280-4331
AFCFC	1550 Crystal Dr.	Arlington	VA	22202	(888) 280-4331
AFCFC	10360 Fairfax Blvd	Fairfax	VA	22030	(888) 280-4331
AFCFC	7807 Sudley Rd	Manassas	VA	20109	(888) 280-4331
AFCFC	3903 Factoria Blvd SE	Bellevue	WA	98006	(888) 280-4331
AFCFC	4008 132nd st SE	Mill Creek	WA	98012	(882) 280-4331
AFCFC	15518 Meridian Ave. E.	Puyallup	WA	98375	(888) 280-4331
AFCFC	13201 Aurora Ave N	Seattle	WA	98133	(888) 280-4331
AFCFC	1423 4th St	Seattle	WA	98101	(888) 280-4331
AFCFC	1906 Terry Avenue	Seattle	WA	98101	(888) 280-4331
AFCFC	2309 S Jackson St.	Seattle	WA	98144	(888) 280-4331
AFCFC	610 E Pike Street	Seattle	WA	98122	(888) 280-4331
AFCFC	1122 Madison St	Seattle	WA	98104	(888) 280-4331
AFCFC	300 Boren Ave	Seattle	WA	98109	(888) 280-4331
AFCFC	2131 7th Ave	Seattle	WA	98121	(888) 280-4331

Wild Blue Locations  
List of Franchisees Who Transferred  
Ended March 31, 2024

FC Name	Address	City	State	Zip	Phone
JLAU LLC.	14472 Sahara Lane	Huntington Beach	CA	92647	(714) 948-3889
HE KHAING LLC.	15231 Imperial Hwy. Apt # 7	La Mirada	CA	90638	(650) 250-2570
SANONE MON INC.	2257 Euclid Ave	Long Beach	CA	90815	(916) 277-3986
Hla Moe Myint	3108 Kirby Smith Dr	Wilmington	NC	28409	(910) 392-4318
Ma Ye Khin	295 Wilmot Rd	Rochester	NY	14618	(224) 627-3904
Steven Cung Nawl	2109 Kingwood Dr	Deer Park	TX	77536	(832) 740-2663
Howa Law Tsang La	3946 Wisteria Ln.	Haltom City	TX	76137	(904) 382-2289
Van Cung Thawng	15427 Bammel Oak St	Houston	TX	77014	(832) 508-3892
S & B SUSHI INC.	1052 Springwood Dr	North Salt Lake	UT	84054	(801) 856-9293

**If you buy this franchise, your contact information may be disclosed to other buyers when you leave the franchise system.**

Wild Blue Locations  
Terminated List  
As of March 31, 2024

Franchisee Name	Franchisee Home Address	City	State	Zip	Phone
2K SUSHI LLC.	3417 Corte Brezo	Carlsbad	CA	92009	(858) 204-9090
BEPPU HOUSE LLC.	1499 Westcastle	West Covina	CA	91791	(626) 497-8822
Mawi Te	518 Timber Ridge Dr., APT 304 C	Carol Stream	IL	60188	(630) 520-1416
LF SUSHI LLC.	8828 Cross Country Pl	Gaithersburg	MD	20879	(917) 833-0865
Mnaing Banyar Auang	9900 Washington Blvd. #409	N Laurel	MD	20723	(240) 856-7264
Mnaing Banyar Auang Ngun Kai	9900 Washington Blvd. #409 101 Beas Way Apt. 101	N Laurel Plattsburgh	MD NY	20723 12901	(240) 856-7264 (518) 495-9383

If you buy this franchise, your contact information may be disclosed to other buyers when you leave the franchise system.



Wild Blue Locations  
Ceased Operations  
As of March 31, 2024

Name	ID	Address	City	State	Zip	Phone	Store Code
AIRBUR TLANG LLC	FF-129	7542 Donegal Dr	Indianapolis	IN	46217	(480) 290-5366	INU002
Khen Thawng	AA-021	6032 Toomey Ln	Elkridge	MD	21075-4500	(410) 349-6559	TOW001
Mang Hnin Thang	S-321	11 N River Rd	Fletcher	NC	28732	(828) 489-4677	UNA001
ETHAN KWAH KYI LLC.	EE-768	52499 SE 4th St	Scappoose	OR	97056	(971) 413-0602	PSU001
Yi Mon Oo	FF-125	716 George St.	Norristown	PA	19401	(610) 733-3227	SJP001
Yi Mon Oo	FF-125	717 George St.	Norristown	PA	19402	(610) 733-3228	SJP002

If you buy this franchise, your contact information may be disclosed to other buyers when you leave the franchise system.

Wild Blue List of Franchises Reacquired by Franchisor  
as of end of March 31, 2024

Name	Address	City	State	Zip	Phone
FENG, Zhe	2229 Foothill Blvd	La Verne	CA	92691	(888) 280-4331
SEO, Eun Jung	26940 Crown Valley Pkwy	Mission Viejo	CA	92691	(888) 280-4331
AUANG, Naing Banyar	1733 14th St NW #2	Washington	DC	20009	(888) 280-4331
Te, Mawi	30 W 63rd St	Westmont	IL	60559	(888) 280-4331
FENG, Bin	8525 Chevy Chase Lake Terrace	Chevy Chase	MD	20815	(800) 250-0668
KAI, Ngun	101 Broad St	Plattsburg	NY	12901	(518) 564-2000
ZATHANG, Tialceu	1550 Crystal Dr.	Arlington	VA	22202	(888) 280-4331
ZATHANG, Tialceu	10360 Fairfax Blvd	Fairfax	VA	22030	(888) 280-4331
FEL, Purin	13201 Aurora Ave N	Seattle	WA	98133	(888) 280-4331

If you buy this franchise, your contact information may be disclosed to other buyers when you leave the franchise system.

## **EXHIBIT N**

# **LIST OF STATE ADMINISTRATORS AND AGENTS FOR SERVICE OF PROCESS**

**LIST OF STATE ADMINISTRATORS AND STATE AGENTS FOR SERVICE OF PROCESS**

<b>STATE</b>	<b>STATE ADMINISTRATOR</b>	<b>AGENT FOR SERVICE OF PROCESS</b>
<b>CALIFORNIA</b>	Department of Financial Protection and Innovation 320 West 4 <sup>th</sup> Street, Suite 750 Los Angeles, California 90013 (213) 576-7505 (866) 275-2677 <a href="http://www.dfpi.ca.gov">website:www.dfpi.ca.gov</a> <a href="mailto:Ask.DFPI@dfpi.ca.gov">email: Ask.DFPI@dfpi.ca.gov</a>	California, Commissioner of Financial Protection and Innovation 320 West 4 <sup>th</sup> Street, Suite 750 Los Angeles, California 90013 (213) 576-7505 (866) 275-2677 <a href="http://www.dfpi.ca.gov">website:www.dfpi.ca.gov</a> <a href="mailto:Ask.DFPI@dfpi.ca.gov">email: Ask.DFPI@dfpi.ca.gov</a>
<b>HAWAII</b>	Business Registration Division Department of Commerce and Consumer Affairs 335 Merchant Street Room 203 Honolulu, Hawaii 96813 (808) 586-2722	Commissioner of Securities, Department of Commerce & Consumer Affairs 335 Merchant Street Room 203 Honolulu, Hawaii 96813 (808) 586-2722
<b>ILLINOIS</b>	Franchise Bureau Office of the Attorney General 500 South Second Street Springfield, Illinois 62706 (217) 782-4465	Franchise Bureau Office of the Attorney General 500 South Second Street Springfield, Illinois 62706 (217) 782-4465
<b>INDIANA</b>	Indiana Secretary of State Securities Division 302 West Washington Street, Room E-111 Indianapolis, Indiana 46204 (317) 232-6681	Indiana Secretary of State 201 State House 200 West Washington Street Indianapolis, Indiana 46204 (317) 232-6531
<b>MARYLAND</b>	Office of the Attorney General Securities Division 200 St. Paul Place Baltimore, Maryland 21202-2021 (410) 576-6360	Maryland Securities Commissioner Office of the Attorney General Securities Division 200 St. Paul Place Baltimore, Maryland 21202-2021 (410) 576-6360
<b>MICHIGAN</b>	Michigan Department of Attorney General Consumer Protection Division Attn: Franchise Section 525 West Ottawa G. Mennen Williams Building, 1 <sup>st</sup> Floor Lansing, Michigan 48933 (517) 335-7567	Michigan Department of Commerce Corporations and Securities Bureau P.O. Box 30054 6546 Mercantile Way Lansing, Michigan 48909 (517) 241-6345
<b>MINNESOTA</b>	Minnesota Department of Commerce 85 7 <sup>th</sup> Place East, Suite 280 St. Paul, Minnesota 55101-2198 (651) 539-1600	Commissioner of Commerce Minnesota Department of Commerce 85 7 <sup>th</sup> Place East, Suite 280 St. Paul, Minnesota 55101-2198 (651) 539-1600
<b>NEBRASKA</b>	Nebraska Department of Banking and Finance Bureau of Securities/Financial Institutions Division 1526 K Street, Suite 300 Lincoln, Nebraska 68508-2723 (402) 471-2171	Nebraska Department of Banking and Finance Bureau off Securities/Financial Institutions Division 1526 K Street, Suite 300 Lincoln, Nebraska 68508-2723 (402) 471-2171

<b>STATE</b>	<b>STATE ADMINISTRATOR</b>	<b>AGENT FOR SERVICE OF PROCESS</b>
<b>NEW YORK</b>	NYS Department of Law Investor Protection Bureau 28 Liberty Street, 21 <sup>st</sup> Fl New York, New York 10005 (212) 416-8285 (Phone) (212) 416-6042 (Fax)	New York Department of State One Commerce Plaza 99 Washington Avenue, 6 <sup>th</sup> Floor Albany, New York 12231-0001 (518) 473-2492
<b>NORTH DAKOTA</b>	North Dakota Securities Department 600 East Boulevard Avenue State Capitol Fifth Floor, Department 414 Bismarck, North Dakota 58505-0510 (701) 328-4712	North Dakota Securities Commissioner 600 East Boulevard Avenue State Capitol, Fifth Floor, Department 414 Bismarck, North Dakota 58505-0510 (701) 328-4712
<b>RHODE ISLAND</b>	Securities Division State of Rhode Island Department of Business Regulation, Bldg. 69, First Floor John O. Pastore Center 1511 Pontiac Avenue, Cranston, Rhode Island 02920 (401) 462-9582	Director, Securities Division Department of Business Regulation Bldg. 69, First Floor John O. Pastore Center 1511 Pontiac Avenue, Cranston, Rhode Island 02920 (401) 462-9582
<b>SOUTH DAKOTA</b>	Department of Labor and Regulation Division of Insurance Securities Regulation 124 South Euclid, Suite 104 Pierre, South Dakota 57501 (605) 773-3563	Director, Department of Labor and Regulation Division of Insurance Securities Regulation 124 South Euclid, Suite 104 Pierre, South Dakota 57501 (605) 773-3563
<b>VIRGINIA</b>	State Corporation Commission Division of Securities and Retail Franchising 1300 East Main Street, First Floor Richmond, Virginia 23219 (804) 371-9051	Clerk of the State Corporation Commission 1300 East Main Street, First Floor Richmond, Virginia 23219 (804) 371-9733
<b>WASHINGTON</b>	<del>Securities Division</del> Department of Financial Institutions <del>Securities Division</del> P.O. Box <del>9033</del> 41200 Olympia, Washington <del>98507</del> 98504-1200 (360) 902-8760	Director, Department of Financial Institutions Securities Division 150 Israel Road S.W. Tumwater, Washington 98501 (360) 902-8760
<b>WISCONSIN</b>	Franchise Registration Division of Securities Wisconsin Department of Financial Institutions 201 West Washington Avenue, Suite 300 Madison, Wisconsin 53703 (608) 266-1064	Securities and Franchise Registration Wisconsin Securities Commission 201 West Washington Avenue, Suite 300 Madison, Wisconsin 53703 (608) 266-1064

**EXHIBIT O**

**STATE SPECIFIC ADDENDA**

## STATE SPECIFIC DISCLOSURE REQUIREMENTS

The laws of several states require that we provide this Franchise Disclosure Document to you at the following earlier dates:

1. Iowa requires that we give you this disclosure document at the earlier of the first personal meeting or 14 calendar-days before the execution of the franchise or other agreement or the payment of any consideration that relates to the franchise relationship.

2. New York requires that we give you a copy of this Franchise Disclosure Document at the earlier of the first personal meeting or 10 business days before the execution of the franchise or other agreement or the payment of any consideration that relates to the franchise relationship.

3. Michigan requires that we give you this Franchise Disclosure Document at least 10 business days before the execution of any binding franchise or other agreement or the payment of any consideration, whichever occurs first.

For franchises that we sell for locations in CALIFORNIA, HAWAII, ILLINOIS, MARYLAND, MICHIGAN, MINNESOTA, NEW YORK, NORTH DAKOTA, RHODE ISLAND, VIRGINIA and WASHINGTON, applicable state law requires us to disclose additional information. Please refer to the separate state addendum pages in this Exhibit for the additional disclosures that may apply to you.

**ADDENDUM TO THE ADVANCED FRESH CONCEPTS FRANCHISE CORP.  
FRANCHISE DISCLOSURE DOCUMENT - REQUIRED BY THE STATE OF CALIFORNIA**

The California Franchise Investment Law requires a copy of all proposed agreements relating to the sale of the franchise to be delivered together with the Franchise Disclosure Document 14 days prior to execution of any agreement.

Neither Advanced Fresh Concepts Franchise Corp, nor any person or franchise broker in item 2 of the Franchise Disclosure Document is subject to any currently effective order of any National Securities Association or National Securities Exchange, as defined in the Securities Exchange Act of 1934, 15 U.S.C.A. 78a et seq., suspending or expelling these persons from membership in this association or exchange.

You must sign a general release if you renew or transfer your franchise. California Corporations Code §31512 voids a waiver of your rights under the Franchise Investment Law (California Corporations Code §§31000 through 31516). Business and Professions Code §20010 voids a waiver of your rights under the Franchise Relations Act (Business and Professions Code §§20000 through 20043).

The California Business and Professions Code Sections 20000 through 20043 provide rights to the Franchisee concerning termination, transfer or non-renewal of a franchise. If the Franchise Agreement contains a provision that is inconsistent with the law, the law will control.

The Franchise Agreement provides for termination upon bankruptcy. This provision may not be enforceable under Federal Bankruptcy Law (11 U.S.C.A. sec. 101 et. seq.).

The Franchise Agreement contains a covenant not to compete which extends beyond the termination of the franchise. This provision may not be enforceable under California law.

The Franchise Agreement requires binding arbitration. The arbitration will occur in Los Angeles, California, according to the rules of the American Arbitration Association, with attorneys' fees being borne by the losing party.

Section 31125 of the Franchise Investment Law requires us to give to you a Disclosure Document approved by the Commissioner of Department of Financial Protection and Innovation before we ask you to consider a material modification of your Franchise Agreement.

Our website 'www.afcsushi.com' has not been reviewed or approved by the California Department of Financial Protection and Innovation. Any complaints concerning the contents of this website may be directed to the California Department of Financial Protection and Innovation at [www.dfpi.ca.gov](http://www.dfpi.ca.gov).

The Franchise Agreement contains a liquidated damages clause. Under California Civil Code Section 1671, certain liquidated damages are unenforceable.

No statement, questionnaire, or acknowledgement signed or agreed to by a franchisee in connection with the commencement of the franchise relationship shall have the effect of (i) waiving any claims under any applicable state franchise law, including fraud in the inducement, or (ii) disclaiming reliance on any statement made by any franchisor, franchise seller, or other person acting on behalf of franchisor. This provision supersedes any other term of any document executed in connection with the franchise.

~~No disclaimer, questionnaire, clause, or statement signed by a franchisee in connection with the commencement of the franchise relationship shall be construed or interpreted as waiving any claim of fraud in the inducement, whether common law or statutory, or as disclaiming reliance on or the right to rely upon any statement made or information provided by any franchisor, broker or other person acting on behalf of the franchisor that was a material inducement to a franchisee's investment. Any statements or representations~~

~~signed by a franchisee purporting to understand any fact or its legal effect shall be deemed made only based upon the franchisee's understanding of the law and facts as of the time of the franchisee's investment decision. This provision supersedes any other or inconsistent term of any document executed in connection with the franchise.~~

You will not receive an exclusive territory. You may face competition from other franchisees, from outlets that we own, or from other channels of distribution or competitive brands that we control.

California enacted California Labor Code Sections 1474, 1475 and 1476, to provide for a state-wide increase in the minimum wage for fast food restaurant employees to \$20 per hour effective as of April 1, 2024, the creation of a Fast Food Council, and changes to employment standards in the fast-food restaurant industry. The new law applies to employees in national fast-food chains, which includes Zenshi Counters/AFC Food Service Counters/Wild Blue Counters.

**The registration of this franchise offering by the California Department of Financial Protection and Innovation does not constitute approval, recommendation, or endorsement by the commissioner.**

**ADDENDUM TO THE ADVANCED FRESH CONCEPTS FRANCHISE CORP.  
FRANCHISE AGREEMENT – CALIFORNIA**

For the purposes of Cal. Bus. & Prof. Code Section 20022, Franchisor and Franchisee agree that:

1. The parties will use the declining-balance depreciation method to calculate the value of Franchisee's assets (inventory, supplies, equipment, fixtures, and furnishings) for the purposes of a purchase by Franchisor under Section 20022. The purchase price by Franchisor for these assets will not include the cost of removal and transportation of those assets, which will be Franchisee's responsibility.
2. For purposes of Section 20022, franchisee is not able to provide to Franchisor "clear title and possession" to Franchisee's assets if those assets are subject to liens or encumbrances including: (i) purchase money security interests; (ii) blanket security interests; (iii) rights of first refusal; (iv) liens by Franchisee's landlord; or (v) tax liens.
3. For the purposes of Section 20022(h), Franchisor's right of offset will include the following amounts owed by Franchisee to Franchisor or Franchisor's affiliates: (i) compensation to franchisor; (ii) marketing fund fees (if applicable); (iii) liquidated damages; (iv) transfer fees; and (v) any other type of fee or amounts owed by Franchisee to Franchisor or Franchisor's affiliates.

For the purposes of Cal. Bus. & Prof. Code Section 20035, Franchisor and Franchisee agree that:

1. **"Fair market value of the franchise assets"** means the value of Franchisee's assets, valued according to the declining-balance method of depreciation. The purchase price by franchisor for the assets will not include the cost of removal and transportation of those assets, which will be Franchisee's responsibility.
2. **"Fair market value of the franchised business"** means the **"fair market value of the franchise assets"** as defined above, plus goodwill. The parties agree that the value of goodwill is the amount of compensation to Franchisor paid by franchisee pursuant to the Franchise Agreement and any applicable addenda within the twelve (12) month period immediately before franchisor's termination or failure to renew if Franchisor is in violation of the California Franchise Relations Act.

No statement, questionnaire, or acknowledgement signed or agreed to by a franchisee in connection with the commencement of the franchise relationship shall have the effect of (i) waiving any claims under any applicable state franchise law, including fraud in the inducement, or (ii) disclaiming reliance on any statement made by any franchisor, franchise seller, or other person acting on behalf of franchisor. This provision supersedes any other term of any document executed in connection with the franchise.

~~No disclaimer, questionnaire, clause, or statement signed by a franchisee in connection with the commencement of the franchise relationship shall be construed or interpreted as waiving any claim of fraud in the inducement, whether common law or statutory, or as disclaiming reliance on or the right to rely upon any statement made or information provided by any franchisor, broker or other person acting on behalf of the franchisor that was a material inducement to a franchisee's investment. Any statements or representations signed by a franchisee purporting to understand any fact or its legal effect shall be deemed made only based upon the franchisee's understanding of the law and facts as of the time of the franchisee's investment decision. This provision supersedes any other or inconsistent term of any document executed in connection with the franchise.~~

Dated this \_\_\_\_\_ day of \_\_\_\_\_ 20\_\_\_\_.

FRANCHISEE

\_\_\_\_\_

Signature: \_\_\_\_\_

Print Name: \_\_\_\_\_

FRANCHISOR

ADVANCED FRESH CONCEPTS FRANCHISE CORP.

By: \_\_\_\_\_

Print Name: \_\_\_\_\_

## DISCLOSURES REQUIRED BY HAWAII

THESE FRANCHISES WILL BE/HAVE BEEN FILED UNDER THE FRANCHISE INVESTMENT LAW OF THE STATE OF HAWAII. FILING DOES NOT CONSTITUTE APPROVAL, RECOMMENDATION OR ENDORSEMENT BY THE DIRECTOR OF COMMERCE AND CONSUMER AFFAIRS OR A FINDING BY THE DIRECTOR OF COMMERCE AND CONSUMER AFFAIRS THAT THE INFORMATION PROVIDED HEREIN IS TRUE, COMPLETE AND NOT MISLEADING.

THE FRANCHISE INVESTMENT LAW MAKES IT UNLAWFUL TO OFFER OR SELL A FRANCHISE IN THIS STATE WITHOUT FIRST PROVIDING THE PROSPECTIVE FRANCHISEE, OR SUBFRANCHISOR AT LEAST SEVEN DAYS PRIOR TO THE EXECUTION BY THE PROSPECTIVE FRANCHISEE OF ANY BINDING FRANCHISE OR OTHER AGREEMENT, OR AT LEAST SEVEN DAYS PRIOR TO THE PAYMENT OF ANY CONSIDERATION BY THE FRANCHISEE, OR SUBFRANCHISOR, WHICHEVER COMES FIRST, A COPY OF THE FRANCHISE DISCLOSURE DOCUMENT, TOGETHER WITH A COPY OF ALL PROPOSED AGREEMENTS RELATING TO THE SALE OF A FRANCHISE.

THIS FRANCHISE DISCLOSURE DOCUMENT CONTAINS A SUMMARY ONLY OF CERTAIN MATERIAL PROVISIONS OF THE FRANCHISE AGREEMENT. THE CONTRACT OR AGREEMENT SHOULD BE REFERRED TO FOR A STATEMENT OF ALL RIGHTS, CONDITIONS, RESTRICTIONS AND OBLIGATIONS OF BOTH THE FRANCHISOR AND THE FRANCHISEE.

NO STATEMENT, QUESTIONNAIRE, OR ACKNOWLEDGEMENT SIGNED OR AGREED TO BY A FRANCHISEE IN CONNECTION WITH THE COMMENCEMENT OF THE FRANCHISE RELATIONSHIP SHALL HAVE THE EFFECT OF (I) WAIVING ANY CLAIMS UNDER ANY APPLICABLE STATE FRANCHISE LAW, INCLUDING FRAUD IN THE INDUCEMENT, OR (II) DISCLAIMING RELIANCE ON ANY STATEMENT MADE BY ANY FRANCHISOR, **FRANCHISE SELLER, OR OTHER PERSON ACTING ON BEHALF OF FRANCHISOR.** THIS PROVISION SUPERSEDES ANY OTHER TERM OF ANY DOCUMENT EXECUTED IN CONNECTION WITH THE FRANCHISE.

**THE FOLLOWING IS ADDED TO THE END OF SECTION 16.3 OF THE FRANCHISE AGREEMENT:**

**FRANCHISEE ACKNOWLEDGES THAT FRANCHISEE DID NOT RECEIVE ANY PROMISE, REPRESENTATION, OR WARRANTY, EXPRESS OR IMPLIED, AS TO POTENTIAL SALES, VOLUME, PROFITS OR SUCCESS OF ANY FOOD SERVICE COUNTER. NOTHING IN THE AGREEMENT IS INTENDED TO DISCLAIM THE REPRESENTATIONS MADE TO FRANCHISEE IN THE FRANCHISE DISCLOSURE DOCUMENT.**

**ADDENDUM TO THE ADVANCED FRESH CONCEPTS FRANCHISE CORP.  
FRANCHISE DISCLOSURE DOCUMENT - REQUIRED BY THE STATE OF ILLINOIS**

Illinois law governs the agreements between the parties to this franchise.

Section 4 of the Illinois Franchise Disclosure Act provides that any provision in a franchise agreement that designates jurisdiction or venue outside the State of Illinois is void. However, a franchise agreement may provide for arbitration outside of Illinois.

Section 41 of the Illinois Franchise Disclosure Act provides that any condition, stipulation or provision purporting to bind any person acquiring any franchise to waive compliance with the Illinois Franchise Disclosure Act or any other law of Illinois is void.

Your rights upon termination and non-renewal of a franchise agreement are set forth in sections 19 and 20 of the Illinois Franchise Disclosure Act.

No statement, questionnaire, or acknowledgement signed or agreed to by a franchisee in connection with the commencement of the franchise relationship shall have the effect of (i) waiving any claims under any applicable state franchise law, including fraud in the inducement, or (ii) disclaiming reliance on any statement made by any franchisor, franchise seller, or other person acting on behalf of franchisor. This provision supersedes any other term of any document executed in connection with the franchise.

**ADDENDUM TO THE ADVANCED FRESH CONCEPTS FRANCHISE CORP.  
FRANCHISE AGREEMENT - REQUIRED BY THE STATE OF ILLINOIS**

Illinois law governs the agreements between the parties to this franchise.

Section 4 of the Illinois Franchise Disclosure Act provides that any provision in a franchise agreement that designates jurisdiction or venue outside the State of Illinois is void. However, a franchise agreement may provide for arbitration outside of Illinois.

Section 41 of the Illinois Franchise Disclosure Act provides that any condition, stipulation or provision purporting to bind any person acquiring any franchise to waive compliance with the Illinois Franchise Disclosure Act or any other law of Illinois is void.

Your rights upon termination and non-renewal of a franchise agreement are set forth in sections 19 and 20 of the Illinois Franchise Disclosure Act.

No statement, questionnaire, or acknowledgement signed or agreed to by a franchisee in connection with the commencement of the franchise relationship shall have the effect of (i) waiving any claims under any applicable state franchise law, including fraud in the inducement, or (ii) disclaiming reliance on any statement made by any franchisor, franchise seller, or other person acting on behalf of franchisor. This provision supersedes any other term of any document executed in connection with the franchise.

Dated this \_\_\_\_ day of \_\_\_\_\_ 20\_\_.

FRANCHISEE

FRANCHISOR

\_\_\_\_\_

ADVANCED FRESH CONCEPTS  
FRANCHISE CORP.

Signature: \_\_\_\_\_

By: \_\_\_\_\_

Print Name: \_\_\_\_\_

Print Name: \_\_\_\_\_

Title: \_\_\_\_\_

Title: \_\_\_\_\_

**ADDENDUM TO THE ADVANCED FRESH CONCEPTS FRANCHISE CORP.  
FRANCHISE DISCLOSURE DOCUMENT - REQUIRED BY THE STATE OF MARYLAND**

The following is added to Items 1 and 12 of the Franchise Disclosure Document in Maryland:

Section 14-226 of the Maryland Franchise Registration and Disclosure Law prohibits us from requiring you to release or waive your rights as a condition of purchasing our franchise.

The following is added to Item 12 of the Franchise Disclosure Document in Maryland:

The general release required as a condition of relocation will not apply to any liability under the Maryland Franchise Registration and Disclosure Law, unless the relocation is part of an agreement between us to resolve an alleged registration and/or disclosure claim.

The following is added to Item 17(m) of the Franchise Disclosure Document in Maryland:

The general release required as a condition of transfer will not apply to any liability under the Maryland Franchise Registration and Disclosure Law, unless the transfer is part of an agreement between us to resolve an alleged registration and/or disclosure claim.

The following is added to Item 17(u) of the Franchise Disclosure Document in Maryland:

You may sue in Maryland for claims arising under the Maryland Franchise Registration and Disclosure Law, to the extent the dispute is neither pre-empted by the Federal Arbitration Act nor governed by the arbitration provisions of Section 16.8 of the Franchise Agreement. Any claims arising under the Maryland Franchise Registration and Disclosure Law must be brought within 3 years after the grant of the franchise.

The following is added to the Franchise Disclosure and Compliance Questionnaire:

The Franchise Disclosure and Compliance Questionnaire requires prospective franchisees to disclaim the occurrence and/or acknowledge the non-occurrence of acts that would constitute a violation of the Franchise Law. Such representations are not intended to nor shall they act as a release, estoppel or waiver of any liability incurred under the Maryland Franchise Registration and Disclosure Law.

No statement, questionnaire, or acknowledgment signed or agreed to by a franchisee in connection with the commencement of the franchise relationship shall have the effect of (i) waiving any claims under any applicable state franchise law, including fraud in the inducement, or (ii) disclaiming reliance on any statement made by any franchisor, franchise seller, or other person acting on behalf of the franchisor. This provision supersedes any other term of any document executed in connection with the franchise. Any questionnaire and specific Acknowledgments shall not apply to prospective franchisees who are Maryland residents or who seek to purchase a franchise located in Maryland.

**ADDENDUM TO THE ADVANCED FRESH CONCEPTS FRANCHISE CORP.  
FRANCHISE AGREEMENT - REQUIRED BY THE STATE OF MARYLAND**

The following is added to Section 3.2 of the Franchise Agreement in Maryland:

The general release required as a condition of relocation shall not apply to any liability under the Maryland Franchise Registration and Disclosure Law, unless Franchisor's consent to the relocation is part of an agreement between Franchisee and Franchisor to resolve an alleged registration and/or disclosure claim.

The following is added to Section 14.9 of the Franchise Agreement in Maryland:

The general release required as a condition of transfer shall not apply to any liability under the Maryland Franchise Registration and Disclosure Law, unless Franchisor's consent to the transfer is part of an agreement between Franchisee and Franchisor to resolve an alleged registration and/or disclosure claim.

Section 16.14 is added to the Franchise Agreement in Maryland as follows:

Nothing in this Agreement is intended to or shall act as a release, estoppel or waiver of any liability incurred under the Maryland Franchise Registration and Disclosure Law.

The following is added to Section 16.8:

Franchisee may sue in Maryland for claims arising under the Maryland Franchise Registration and Disclosure Law, to the extent the dispute is neither pre-empted by the Federal Arbitration Act nor governed by the arbitration provisions of Section 16.8 of this Agreement. Any claims arising under the Maryland Franchise Registration and Disclosure Law must be brought within 3 years after the grant of the franchise.

No statement, questionnaire, or acknowledgment signed or agreed to by a franchisee in connection with the commencement of the franchise relationship shall have the effect of (i) waiving any claims under any applicable state franchise law, including fraud in the inducement, or (ii) disclaiming reliance on any statement made by any franchisor, franchise seller, or other person acting on behalf of the franchisor. This provision supersedes any other term of any document executed in connection with the franchise. Any questionnaire and specific Acknowledgments shall not apply to prospective franchisees who are Maryland residents or who seek to purchase a franchise located in Maryland.

Dated this \_\_\_\_ day of \_\_\_\_\_ 20\_\_.

FRANCHISEE

FRANCHISOR

\_\_\_\_\_

ADVANCED FRESH CONCEPTS  
FRANCHISE CORP.

Signature: \_\_\_\_\_

By: \_\_\_\_\_

Print Name: \_\_\_\_\_

Print Name: \_\_\_\_\_

Title: \_\_\_\_\_

Title: \_\_\_\_\_

**ADDENDUM TO THE FRANCHISE DISCLOSURE DOCUMENT PURSUANT TO  
THE MICHIGAN FRANCHISE INVESTMENT LAW**

**THE STATE OF MICHIGAN PROHIBITS CERTAIN UNFAIR PROVISIONS THAT ARE SOMETIMES IN FRANCHISE DOCUMENTS. IF ANY OF THE FOLLOWING PROVISIONS ARE IN THESE FRANCHISE DOCUMENTS, THE PROVISIONS ARE VOID AND CANNOT BE ENFORCED AGAINST YOU.**

Each of the following provisions is void and unenforceable if contained in any documents relating to a Franchise:

- (a) A prohibition on the right of a Franchisee to join an association of Franchisees.
- (b) A requirement that a Franchisee assent to a release, assignment, novation, waiver, or estoppel which deprives a Franchisee of rights and protections provided in this act. This shall not preclude a Franchisee, after entering into a Franchise agreement from settling any and all claims.
- (c) A provision that permits a franchisor to terminate a Franchise prior to the expiration of its term except for good cause. Good cause shall include the failure of the Franchisee to comply with any lawful provision of the Franchise agreement and to cure such failure after being given written notice thereof and a reasonable opportunity, which in no event need be more than 30 days, to cure such failure.
- (d) A provision that permits a franchisor to refuse to renew a Franchise without fairly compensating the Franchisee by repurchase or other means for the fair market value at the time of expiration of the Franchisee's inventory, supplies, equipment, fixtures, and furnishings. Personalized materials which have no value to the franchisor and inventory, supplies, equipment, fixtures, and furnishing not reasonably required in the conduct of the Franchise business are not subject to compensation. This subsection applies only if: (i) the term of the Franchise is less than 5 years and (ii) the Franchisee is prohibited by the Franchise or other agreement from continuing to conduct substantially the same business under another trademark, service mark, trade name, logotype, advertising, or other commercial symbol in the same area subsequent to the expiration of the Franchise or the Franchisee does not receive at least 6 months advance notice of franchisor's intent not to renew the Franchise.
- (e) A provision that permits the franchisor to refuse to renew a Franchise on terms generally available to other Franchisees of the same class or type under similar circumstances. This section does not require a renewal provision.
- (f) A provision requiring that arbitration or litigation be conducted outside this state. This shall not preclude the Franchisee from entering into an agreement, at the time of arbitration, to conduct arbitration at a location outside this state.
- (g) A provision which permits a franchisor to refuse to permit a transfer of ownership of a Franchise, except for good cause. This subdivision does not prevent a franchisor from exercising a right of first refusal to purchase the Franchise. Good cause shall include, but is not limited to:
  - (i) The failure of the proposed transferee to meet the franchisor's then-current reasonable qualifications or standards.
  - (ii) The fact that the proposed transferee is a competitor of the franchisor or subfranchisor.
  - (iii) The unwillingness of the proposed transferee to agree in writing to comply with all lawful obligations.

- (iv) The failure of the Franchisee or proposed transferee to pay any sums owing to the franchisor or to cure any default in the Franchise agreement existing at the time of the proposed transfer.
- (h) A provision that requires the Franchisee to resell to the franchisor items that are not uniquely identified with the franchisor. This subdivision does not prohibit a provision that grants to a franchisor a right of first refusal to purchase the assets of a Franchise on the same terms and conditions as a bona fide third party willing and able to purchase those assets, nor does this subdivision prohibit a provision that grants the franchisor the right to acquire the assets of a Franchise for the market or appraised value of such assets if the Franchisee has breached the lawful provisions of the Franchise agreement and has failed to cure the breach in the manner provided in subdivision (c).
- (i) A provision which permits the franchisor to directly or indirectly convey, assign, or otherwise transfer its obligations to fulfill contractual obligations to the Franchisee unless provision has been made for providing the required contractual services.
- (j) No statement, questionnaire, or acknowledgement signed or agreed to by a franchisee in connection with the commencement of the franchise relationship shall have the effect of (i) waiving any claims under any applicable state franchise law, including fraud in the inducement, or (ii) disclaiming reliance on any statement made by any franchisor, franchise seller, or other person acting on behalf of franchisor. This provision supersedes any other term of any document executed in connection with the franchise.

THE FACT THAT THERE IS A NOTICE OF THIS OFFERING ON FILE WITH THE ATTORNEY GENERAL DOES NOT CONSTITUTE APPROVAL RECOMMENDATION, OR ENDORSEMENT BY THE ATTORNEY GENERAL.

Any questions regarding this notice should be directed to:

State of Michigan / Department of Attorney General  
Consumer Protection Agency  
Attention: Franchise  
670 Law Building  
525 West Ottawa Street  
Lansing, Michigan 48913  
Telephone Number: (517) 335-7567

**ADDENDUM TO THE ADVANCED FRESH CONCEPTS FRANCHISE CORP.  
FRANCHISE DISCLOSURE DOCUMENT - REQUIRED BY THE STATE OF MINNESOTA**

**THESE FRANCHISES HAVE BEEN FILED UNDER THE MINNESOTA FRANCHISE ACT. REGISTRATION DOES NOT CONSTITUTE APPROVAL, RECOMMENDATION OR ENDORSEMENT BY THE COMMISSIONER OF COMMERCE OF MINNESOTA OR A FINDING BY THE COMMISSIONER THAT THE INFORMATION PROVIDED HEREIN IS TRUE, COMPLETE AND NOT MISLEADING.**

**THE MINNESOTA FRANCHISE ACT MAKES IT UNLAWFUL TO OFFER OR SELL ANY FRANCHISE IN THIS STATE WHICH IS SUBJECT TO REGISTRATION WITHOUT FIRST PROVIDING THE PROSPECTIVE FRANCHISEE, AT LEAST SEVEN DAYS PRIOR TO THE EXECUTION BY THE PROSPECTIVE FRANCHISEE OF ANY BINDING FRANCHISE OR OTHER AGREEMENT, OR AT LEAST SEVEN DAYS PRIOR TO THE PAYMENT OF ANY CONSIDERATION BY THE FRANCHISEE, WHICHEVER COMES FIRST, A COPY OF THIS PUBLIC OFFERING STATEMENT, TOGETHER WITH A COPY OF ALL PROPOSED AGREEMENTS RELATING TO THE FRANCHISE.**

**THIS PUBLIC OFFERING STATEMENT CONTAINS A SUMMARY ONLY OF CERTAIN MATERIAL PROVISIONS OF THE FRANCHISE AGREEMENT. THE CONTRACT OR AGREEMENT SHOULD BE REFERRED TO FOR AN UNDERSTANDING OF ALL RIGHTS AND OBLIGATIONS OF BOTH THE FRANCHISOR AND THE FRANCHISEE.**

The following is added to the Cover Page and Item 17 of the Franchise Disclosure Document in Minnesota:

Minn. Stat. §80C.21 and Minn. Rule 2860.4400J prohibits us from requiring litigation to be conducted outside Minnesota. In addition, nothing in the franchise disclosure document or agreement can abrogate or reduce any of your rights as provided for in Minnesota Statutes, Chapter 80C, or your rights to any procedure, forum, or remedies provided for by the laws of the jurisdiction.

The following is added to Item 13 the Franchise Disclosure Document in Minnesota:

With respect to franchises governed by Minnesota law, we will comply with Minn. Stat. Sec. 80C.12, Subd. 1(g), which requires us to protect your rights to use the trademarks, service marks, tradenames, logotypes or other commercial symbols or indemnify you from any loss, costs or expenses arising out of any claim, suit or demand regarding the use of the name.

The following is added to Item 17 Franchise Disclosure Document in Minnesota:

With respect to franchises governed by Minnesota law, we will comply with Minn. Stat. Sec. 80C.14, Subds. 3, 4, and 5 which require, except in certain specified cases, that you be given 90 days notice of termination (with 60 days to cure) and 180 days notice for non-renewal of the franchise agreement, and that our consent to the transfer of the franchise will not be unreasonably withheld.

The following is added to Item 17 of the Franchise Disclosure Document in Minnesota:

With respect to franchises governed by Minnesota law, we will comply with Minn. Rule 2860.4400J, which prohibits us from requiring you to waive any rights, including consent to injunctive relief. However, we may still seek injunctive relief.

The following is added to Item 17 of the Franchise Disclosure Document in Minnesota:

With respect to franchises governed by Minnesota law, we will comply with Minn. Rule 2860.4400D which prohibits us from requiring you to assent to a general release, except in connection with the voluntary settlement of disputes.

No statement, questionnaire, or acknowledgement signed or agreed to by a franchisee in connection with the commencement of the franchise relationship shall have the effect of (i) waiving any claims under any applicable state franchise law, including fraud in the inducement, or (ii) disclaiming reliance on any statement made by any franchisor, franchise seller, or other person acting on behalf of franchisor. This provision supersedes any other term of any document executed in connection with the franchise.

**ADDENDUM TO THE ADVANCED FRESH CONCEPTS FRANCHISE CORP.  
FRANCHISE AGREEMENT - REQUIRED BY THE STATE OF MINNESOTA**

The following is added to Section 4.3 of the Franchise Agreement in Minnesota:

Franchisor will protect Franchisee's rights to use the licensed trademarks, or indemnify Franchisee from any loss, costs or expenses arising out of any claim, suit or demand regarding the use of the licensed trademarks.

The following is added to Section 14.2 of the Franchise Agreement in Minnesota:

Consent to the transfer of the franchise will not be unreasonably withheld.

The following is added to Section 14.9 of the Franchise Agreement in Minnesota:

Franchisor will not require Franchisee to assent to a general release exceeding the limits permitted by Minn. Rule 2860.400D.

The following is added to Section 15.2 of the Franchise Agreement in Minnesota:

Except as and when otherwise permitted by law, Franchisee will be given 90 days notice of termination (with 60 days to cure) and except as and when otherwise permitted by law, 180 days notice for non-renewal of this agreement.

The following is added to Section 16.9 of the Franchise Agreement in Minnesota:

Franchisor will not require Franchisee to waive any rights, including consent to injunctive relief, exceeding the limits permitted by Minn. Rule 2860.4400J. However, Franchisor may still seek such relief.

No statement, questionnaire, or acknowledgement signed or agreed to by a franchisee in connection with the commencement of the franchise relationship shall have the effect of (i) waiving any claims under any applicable state franchise law, including fraud in the inducement, or (ii) disclaiming reliance on any statement made by any franchisor, franchise seller, or other person acting on behalf of franchisor. This provision supersedes any other term of any document executed in connection with the franchise.

Dated this \_\_\_\_ day of \_\_\_\_\_ 20\_\_.

FRANCHISEE

FRANCHISOR

\_\_\_\_\_

ADVANCED FRESH CONCEPTS  
FRANCHISE CORP.

Signature: \_\_\_\_\_

By: \_\_\_\_\_

Print Name: \_\_\_\_\_

Print Name: \_\_\_\_\_

Title: \_\_\_\_\_

Title: \_\_\_\_\_

**ADDENDUM TO THE ADVANCED FRESH CONCEPTS FRANCHISE CORP.  
FRANCHISE DISCLOSURE DOCUMENT - REQUIRED BY AND FOR THE  
STATE OF NEW YORK**

1. The following information is added to the cover page of the Franchise Disclosure Document in New York:

**INFORMATION COMPARING FRANCHISORS IS AVAILABLE. CALL THE STATE ADMINISTRATORS LISTED IN EXHIBIT N OR YOUR PUBLIC LIBRARY FOR SOURCES OF INFORMATION. REGISTRATION OF THIS FRANCHISE BY NEW YORK STATE DOES NOT MEAN THAT NEW YORK STATE RECOMMENDS IT OR HAS VERIFIED THE INFORMATION IN THIS FRANCHISE DISCLOSURE DOCUMENT. IF YOU LEARN THAT ANYTHING IN THE FRANCHISE DISCLOSURE DOCUMENT IS UNTRUE, CONTACT THE FEDERAL TRADE COMMISSION AND THE NEW YORK STATE DEPARTMENT OF LAW, BUREAU OF INVESTOR PROTECTION AND SECURITIES, 28 LIBERTY STREET, 21<sup>ST</sup> FLOOR, NEW YORK, NEW YORK 10005. THE FRANCHISOR MAY, IF IT CHOOSES, NEGOTIATE WITH YOU ABOUT ITEMS COVERED IN THE FRANCHISE DISCLOSURE DOCUMENT. HOWEVER, THE FRANCHISOR CANNOT USE THE NEGOTIATING PROCESS TO PREVAIL UPON A PROSPECTIVE FRANCHISEE TO ACCEPT TERMS WHICH ARE LESS FAVORABLE THAN THOSE SET FORTH IN THIS FRANCHISE DISCLOSURE DOCUMENT.**

2. The following is added at the end of Item 3 of the Franchise Disclosure Document in New York:

Except as provided above, with regard to AFC, its predecessor, a person identified in Item 2, or an affiliate offering franchises under AFC's principal trademark:

A. No such party has an administrative, criminal or civil action pending against that person alleging: a felony; a violation of a franchise, antitrust, or securities law, fraud, embezzlement, fraudulent conversion, misappropriation of property; unfair or deceptive practices or comparable civil or misdemeanor allegations.

B. No such party has pending actions, other than routine litigation incidental to the business, which are significant in the context of the number of franchisees and the size, nature or financial condition of the franchise system or its business operations.

C. No such party has been convicted of a felony or pleaded nolo contendere to a felony charge or, within the 10-year period immediately preceding the application for registration, has been convicted of or pleaded nolo contendere to a misdemeanor charge or has been the subject of a civil action alleging: violation of a franchise, antifraud or securities law, fraud, embezzlement, fraudulent conversion or misappropriation of property, or unfair or deceptive practices or comparable allegations.

D. No such party is subject to a currently effective injunctive or restrictive order or decree relating to the franchise, or under a Federal, State or Canadian franchise, securities, antitrust, trade regulation or trade practice law, resulting from a concluded or pending action or proceeding brought by a public agency; or is subject to any currently effective order of any national securities association or national securities exchange, as defined in the Securities and Exchange Act of 1934, suspending or expelling such person from membership in such association or exchange; or is subject to a currently effective injunctive or restrictive order relating to any other business activity as a result of an action brought by a public agency or department, including, without limitation, actions affecting a license of as a real estate broker or sales agent.

3. The following is added to the end of Item 4 of the Franchise Disclosure Document in New York:

Neither AFC, its Affiliates, its Predecessors, officers, or general partner during the 10-year period immediately before the date of the disclosure document: (a) filed as debtor (or had filed against it) a petition to start an action under the U.S. Bankruptcy Code; (b) obtained a discharge of its debts under the bankruptcy code; or (c) was a principal officer of a company or a general partner in a partnership that either filed as a debtor (or had filed against it) a petition to start an action under the U.S. Bankruptcy Code or that obtained a discharge of its debts under the U.S. Bankruptcy Code during or within 1 year after the officer or general partner of the franchisor held this position in the company or partnership.

4. The following is added to the end of Item 5 of the Franchise Disclosure Document in New York:

The initial franchise fee constitutes part of our general operating funds and will be used as such in our discretion.

5. The following is added to the end of the “Summary” section of Item 17(c) titled “**Requirements for franchisee to renew or extend**,” and Item 17(m), entitled “**Conditions for AFC’s approval of transfer**”:

However, to the extent required by applicable law, all rights you enjoy and any causes of action arising in your favor from the provisions of Article 33 of the General Business Law of the State of New York and the regulations issued thereunder shall remain in force; it being the intent of this provision that the non-waiver provisions of the General Business Law Sections 687.4 and 687.5 be satisfied.

6. The following language replaces the “Summary” section of Item 17(d), titled “**Termination by you**” in New York:

You may terminate the agreement on any grounds available by law.

7. The following is added to the end of the “Summary” section of Item 17(j), titled “**Assignment of contract by AFC**” in New York:

However, no assignment will be made except to an assignee who in the good faith and judgment of AFC, is willing and financially able to assume AFC’s obligations under the Franchise Agreement.

8. The following is added to the end of the “Summary” sections of Item 17(v), titled “**Choice of forum**”, and Item 17(w), titled “**Choice of law**”:

The foregoing choice of law should not be considered a waiver of any right conferred upon AFC or upon the franchisee by Article 33 of the General Business Law of the State of New York.

9. No statement, questionnaire, or acknowledgement signed or agreed to by a franchisee in connection with the commencement of the franchise relationship shall have the effect of (i) waiving any claims under any applicable state franchise law, including fraud in the inducement, or (ii) disclaiming reliance on any statement made by any franchisor, franchise seller, or other person acting on behalf of franchisor. This provision supersedes any other term of any document executed in connection with the franchise.

**ADDENDUM TO THE ADVANCED FRESH CONCEPTS FRANCHISE CORP.  
FRANCHISE DISCLOSURE DOCUMENT - REQUIRED BY THE STATE OF NORTH DAKOTA**

Item 17(i) of the Franchise Disclosure Document is revised in North Dakota to delete the provision requiring you to pay our expenses in the event of your breach or default.

The following is added to Item 17(r) of the Franchise Disclosure Document in North Dakota:

Covenants not to compete such as those mentioned above are generally considered unenforceable in the State of North Dakota.

Item 17(u) of the Franchise Disclosure Document is revised in North Dakota to allow the site of arbitration to be as agreeable to all parties.

The provisions contained in Item 17(v) of the Franchise Disclosure Document are deleted in North Dakota.

The provisions contained in Item 17(w) of the Franchise Disclosure Document are deleted in North Dakota.

No statement, questionnaire, or acknowledgement signed or agreed to by a franchisee in connection with the commencement of the franchise relationship shall have the effect of (i) waiving any claims under any applicable state franchise law, including fraud in the inducement, or (ii) disclaiming reliance on any statement made by any franchisor, franchise seller, or other person acting on behalf of franchisor. This provision supersedes any other term of any document executed in connection with the franchise.

**ADDENDUM TO THE ADVANCED FRESH CONCEPTS FRANCHISE CORP.  
FRANCHISE AGREEMENT - REQUIRED BY THE STATE OF NORTH DAKOTA**

If Franchisee's location is in North Dakota, then Section 15.6(E) of the Franchise Agreement is deleted.

If Franchisee's location is in North Dakota, then Section 6 of the Franchise Agreement will be interpreted in accordance with Section 9-08-06 of the North Dakota Century Code.

If Franchisee's location is in North Dakota then Sections 16.7 of the Franchise Agreement is deleted.

If Franchisee's location is in North Dakota then Section 16.8(D) of the Franchise Agreement is revised to provide that the site of arbitration shall be agreeable to all parties.

No statement, questionnaire, or acknowledgement signed or agreed to by a franchisee in connection with the commencement of the franchise relationship shall have the effect of (i) waiving any claims under any applicable state franchise law, including fraud in the inducement, or (ii) disclaiming reliance on any statement made by any franchisor, franchise seller, or other person acting on behalf of franchisor. This provision supersedes any other term of any document executed in connection with the franchise.

Dated this \_\_\_\_ day of \_\_\_\_\_ 20\_\_.

FRANCHISEE

FRANCHISOR

\_\_\_\_\_

ADVANCED FRESH CONCEPTS  
FRANCHISE CORP.

Signature: \_\_\_\_\_

By: \_\_\_\_\_

Print Name: \_\_\_\_\_

Print Name: \_\_\_\_\_

Title: \_\_\_\_\_

Title: \_\_\_\_\_

## DISCLOSURES REQUIRED BY RHODE ISLAND

Under Section 19-28.1-14 of the Rhode Island Franchise investment Act, a provision in a Franchise Agreement restricting jurisdiction or venue to a forum outside of Rhode Island or requiring the application of the laws of another state is void with respect to an otherwise enforceable claim that is not subject to binding arbitration.

No statement, questionnaire, or acknowledgement signed or agreed to by a franchisee in connection with the commencement of the franchise relationship shall have the effect of (i) waiving any claims under any applicable state franchise law, including fraud in the inducement, or (ii) disclaiming reliance on any statement made by any franchisor, franchise seller, or other person acting on behalf of franchisor. This provision supersedes any other term of any document executed in connection with the franchise.

**ADDENDUM TO THE ADVANCED FRESH CONCEPTS FRANCHISE CORP.  
FRANCHISE AGREEMENT - REQUIRED BY THE STATE OF RHODE ISLAND**

If Franchisee's location is in Rhode Island, then the parties agree that to the extent that any provision in any of the agreements entered into by the parties are inconsistent with the Rhode Island Franchise Investment Act, the provisions of the Act shall control. The parties furthermore expressly agree that Rhode Island law shall be applied to, and govern, any claim between the parties that alleges violation of the Act.

No statement, questionnaire, or acknowledgement signed or agreed to by a franchisee in connection with the commencement of the franchise relationship shall have the effect of (i) waiving any claims under any applicable state franchise law, including fraud in the inducement, or (ii) disclaiming reliance on any statement made by any franchisor, franchise seller, or other person acting on behalf of franchisor. This provision supersedes any other term of any document executed in connection with the franchise.

Dated this \_\_\_\_ day of \_\_\_\_\_ 20\_\_.

FRANCHISEE

FRANCHISOR

\_\_\_\_\_

ADVANCED FRESH CONCEPTS  
FRANCHISE CORP.

Signature: \_\_\_\_\_

By:: \_\_\_\_\_

Print Name: \_\_\_\_\_

Print Name: \_\_\_\_\_

Title: \_\_\_\_\_

Title: \_\_\_\_\_

## DISCLOSURES REQUIRED BY VIRGINIA

Item 17 is amended by the addition of the following:

“According to Section 13.1-564 of the Virginia Retail Franchising Act, it is unlawful for a franchisor to cancel a franchise without reasonable cause. If any grounds for default or termination stated in the Franchise Agreement does not constitute “reasonable cause,” as that term may be defined in the Virginia Retail Franchising Act or the laws of Virginia, that provision may not be enforceable.”

No statement, questionnaire, or acknowledgement signed or agreed to by a franchisee in connection with the commencement of the franchise relationship shall have the effect of (i) waiving any claims under any applicable state franchise law, including fraud in the inducement, or (ii) disclaiming reliance on any statement made by any franchisor, franchise seller, or other person acting on behalf of franchisor. This provision supersedes any other term of any document executed in connection with the franchise.

**ADDENDUM TO THE ADVANCED FRESH CONCEPTS FRANCHISE CORP.  
FRANCHISE DISCLOSURE DOCUMENT AND FRANCHISE AGREEMENT - REQUIRED BY  
THE STATE OF WASHINGTON**

In the event of a conflict of laws, the provisions of the Washington Franchise Investment Protection Act, Chapter 19.100 RCW will prevail.

The state of Washington has a statute, RCW 19.100, and the rules adopted thereunder, which may supersede the franchise agreement in your relationship with the franchisor including the areas of termination and renewal rights of your franchise. There may also be court decisions that supersede the franchise agreement in your relationship with the franchisor including the areas of termination and renewal of your franchise.

In any arbitration involving a franchise purchased in Washington, the arbitration site shall be either in the state of Washington, or in a place mutually agreed upon at the time of the arbitration, or as determined by the arbitrator or mediator at the time of arbitration or mediation. In addition, if litigation is not precluded by the franchise agreement, a franchisee may bring an action or proceeding arising out of or in connection with the sale of franchises, or a violation of the Washington Franchise Investment Protection Act, in Washington.

A release or waiver of rights signed by the franchisee will not include rights under the Washington Franchise Investment Protection Act except when signed under a negotiated settlement after the agreement is in effect and where the parties are represented by independent counsel. Provisions such as those that unreasonably restrict or limit the statute of limitations period for claims under the Act, rights or remedies under the Act, such as a right to a jury trial may not be enforceable.

Transfer fees are collectable to the extent that they may reflect the franchisor's reasonable estimated or actual costs in effecting a transfer.

Pursuant to RCW 49.62.020, a noncompetition covenant is void and unenforceable against an employee, including an employee of a franchisee, unless the employee's earnings from the party seeking enforcement, when annualized, exceed \$100,000 per year (an amount that will be adjusted annually for inflation). In addition, a noncompetition covenant is void and unenforceable against an independent contractor of a franchisee under RCW 49.62.030 unless the independent contractor's earnings from the party seeking enforcement, when annualized, exceed \$250,000 per year (an amount that will be adjusted annually for inflation). As a result, any provisions contained in the franchise agreement or elsewhere that conflict with these limitations are void and unenforceable in Washington.

RCW 49.62.060 prohibits a franchisor from restricting, restraining, or prohibiting a franchisee from (i) soliciting or hiring any employee of a franchisee of the same franchisor or (ii) soliciting or hiring any employee of the franchisor. As a result, any such provisions contained in the franchise agreement or elsewhere are void and unenforceable in Washington.

The following sentence is added to Item 1 of the Franchise Disclosure Document:

For Washington residents and for locations in the state of Washington, following your request, we will allow you to view an unredacted version of the underlying agreement with the venue where your Food Service Counter will be located. Following your request, we will provide you with a copy of the underlying agreement with the venue where your Food Service Counter is or will be located, subject to redaction of confidential provisions negotiated with the venue. Provisions subject to redaction include the percentage of rent payable to other facilities covered by the agreement, payment methods, payment terms, term of the agreement, and Exhibit A, which lists locations covered by the agreement not relevant to your proposed operations.

The following sentence is added to Item 1 of the Franchise Disclosure Document:

For locations outside Washington, we offer franchisees the opportunity to operate Food Service Counters under the trademarks "Southern Tsunami" and "Hybrid Sushi". We do not offer this opportunity to Washington residents or for locations in the state of Washington. Accordingly, you will not be able to use these marks at your locations.

The following sentence is added to Item 6, Note 4 of the Franchise Disclosure Document and Section 9.3 of the Franchise Agreement:

For Washington residents and for locations in the state of Washington, we will never retain more than 11% of the amounts collected on account of your operations (plus any amounts you owe us) and you will never receive less than 62% of the amounts collected from your operations (adjusted for any amounts you owe us).

For Washington residents and for locations in the state of Washington, the following sentence is deleted in Section 3.2 of the Franchise Agreement:

“Franchisee releases Franchisor and its affiliates, and each of their respective officers, directors, agents and employees from any loss of right or consent to operate at the location, and further agrees not to hold Franchisor liable for any such event during the term of this Agreement or thereafter”.

In Re Assurance of Discontinuance:

For many years AFC franchise agreements said a franchisee must not hire employees of AFC or of other AFC franchisees. Generally, this was Section 6.7 of the Franchise Agreement. Previously, this clause was never challenged.

The Attorney General of Washington State claimed our provision was a restraint of trade and demanded that AFC not enforce the provision. AFC denied the Attorney General’s claim. Because we and our franchisees are all one brand, we believed our steps were lawful and pro-competitive.

In June 2019, before we were contacted by Washington State, AFC preemptively removed the no-poach provision from our standard Franchise Agreement, and decided we will not enforce and will not require franchisees to comply with it. On November 15, 2019, without admitting liability and solely to avoid protracted and expensive litigation with the Washington Attorney General (AG), AFC entered into an agreement with Washington State. Under the agreement, AFC agreed: (1) not to include no-poach provisions in future franchise agreements for locations in the United States; (2) not to enforce no-poach provisions in our existing U.S. franchise agreements and not seek to intervene in any action brought by the Washington AG to defend the legality of the no-poach provision; (3) to notify all U.S. franchisees of AFC’s agreement with the Washington AG and to provide them a copy of the AOD on request; (4) to notify the Washington AG if we learn of any effort by a Washington franchisee to enforce an existing no-poach agreement; (5) within 90 days of the entry of the AOD to endeavor to amend all existing franchise agreements in Washington to remove the no-poach provision and to provide the Washington AG the name and address of franchisees who decline our offer to amend the franchise agreement; (6) as they come up for renewal or renegotiation, to amend existing U.S. franchise agreements to remove the no-poach provision; and (7) within 30 days of the conclusion of the above time periods to notify the AG’s office of our compliance.

The AOD we entered into was a voluntary settlement and was not an admission of law, fact, liability, misconduct or wrongdoing on AFC’s part.

No statement, questionnaire, or acknowledgement signed or agreed to by a franchisee in connection with the commencement of the franchise relationship shall have the effect of (i) waiving any claims under any

applicable state franchise law, including fraud in the inducement, or (ii) disclaiming reliance on any statement made by any franchisor, franchise seller, or other person acting on behalf of franchisor. This provision supersedes any other term of any document executed in connection with the franchise.

The undersigned does hereby acknowledge receipt of this addendum.

Dated this \_\_\_\_\_ day of \_\_\_\_\_ 20\_\_\_\_.

FRANCHISEE

FRANCHISOR

\_\_\_\_\_

ADVANCED FRESH CONCEPTS FRANCHISE CORP.

Signature: \_\_\_\_\_

By: \_\_\_\_\_

Print Name: \_\_\_\_\_

Print Name: \_\_\_\_\_

Title: \_\_\_\_\_

Title: \_\_\_\_\_

**EXHIBIT P**

**CONFIDENTIALITY AGREEMENT**

## CONFIDENTIALITY AGREEMENT

This Confidentiality Agreement (this "Agreement") is made and entered into on \_\_\_\_\_, 20\_\_ between Advanced Fresh Concepts Franchise Corp. a California corporation ("Franchisor") with an address of 19700 Mariner Avenue Torrance, California 90503, on the one hand, and \_\_\_\_\_, a \_\_\_\_\_ ("Candidate") with an address of \_\_\_\_\_, on the other hand, with reference to the following facts:

A. Franchisor has developed the "AFC System" for the establishment and operation of one or more Zenshi Counter(s), AFC Food Service Counter(s), and Wild Blue Counter(s) in grocery stores, retail stores and other locations ("Food Service Counters") that offer prepared sushi and other Asian style foods under the trade names and service marks "Zenshi," "Advanced Fresh," the oval AFC logo, "Wild Blue," "Hybrid Sushi," "Southern Tsunami," the Southern Tsunami logo and other related trademarks, service marks, logos and commercial symbols, and the trade dress used to identify the Food Service Counters (collectively, the "AFC Marks"). The "AFC System" means the unique system developed by Franchisor that includes operating methods and business practices related to Food Service Counters, the relationship between Franchisor and its franchisees, Food Service Counter design, other items of trade dress, specifications for equipment, fixtures and uniforms, defined product offerings, recipes and preparation methods, Franchisor specified pricing and promotions, restrictions on ownership, standard operating and administrative procedures, management and technical training programs, marketing and public relations programs, and Franchisor's website, all as Franchisor may modify from time to time.

B. Franchisor has the right to use, and to license others to use, the AFC Marks and the AFC System, and has, as a result of its expenditure of time, skill, effort, and money, developed a distinctive franchise model for qualified franchisees to obtain the right to operate a Food Service Counter using the AFC Marks and the AFC System.

C. Franchisor may provide Candidate with confidential, proprietary and/or trade secret information regarding the AFC System prior to granting or declining to grant Candidate a franchise or entering into a Franchise Agreement with Candidate. Franchisor desires that Candidate maintain the confidentiality of all such confidential, proprietary and/or trade secret information on the terms and conditions set forth in this Agreement.

### **NOW, THEREFORE, IT IS AGREED:**

#### **1. INCORPORATION OF RECITALS.**

The recitals set forth in Paragraphs A through Paragraph C above are true and correct and are hereby incorporated by reference into the body of this Agreement.

#### **2. CONFIDENTIALITY.**

Candidate acknowledges and agrees that:

2.1. **Confidential Information.** Candidate's knowledge of the elements of the AFC System and any other proprietary data that may be disclosed to Candidate by Franchisor, or any affiliate of Franchisor, including, without limitation, any and all confidential and/or proprietary knowledge, data or information of Franchisor and any and all confidential and/or proprietary knowledge, data or information which Candidate has obtained or obtains from Franchisor which Franchisor treats as proprietary or designates (whether or not in writing or electronic form) as confidential shall constitute "Confidential Information". By way of illustration, but not limitation, "Confidential Information" includes tangible and intangible information (whether or not in electronic form) relating to Franchisor's business operations, styles, products and services, recipes, sources of materials and equipment, client management and other software, data, other content, formulations, patterns, compilations, programs, devices and processes, business relationships, contact information for industry professionals, developmental or experimental work and services, improvements, discoveries, plans for research, potential new or supplemental products and services,

websites, advertisements or ancillary products and services, marketing and selling methods and/or plans, business plans, budgets and unpublished financial statements, licenses, prices and costs, vendors, collaborators, current customer and prospective customer names and addresses, information on Franchisor, Franchisor's arrangements and contracts with the facility owners where the Food Service Counters are located, information regarding credit extensions to customers, customer service purchasing histories and prices charged to customers, customer lists and other customer data, information regarding the skills and compensation of employees and contractors of Franchisor, designs, drawings, specifications, source code, object code, documentation, diagrams, flowcharts, research, development, marketing techniques and materials, trademarks, trade secrets, sales/license techniques, inventions, copyrightable material, trademarkable material, databases, relationships between Franchisor and other companies, persons or entities, the AFC System, and any other information or material considered proprietary by Franchisor whether or not designated as confidential information by Franchisor, that is not generally known by the public, or which derives independent economic value (actual or potential) from not being generally known to the public or persons unaffiliated with Franchisor or its affiliates and which is the subject of efforts by Franchisor that are reasonable under the circumstances to maintain its secrecy, and any other information in oral, written, graphic or electronic form which, given the circumstances surrounding its disclosure, would be considered confidential. Confidential Information also includes the manner in which any of the above described items may be combined with any other information or products or synthesized or used by Candidate. Confidential Information does not include any information that was in the lawful and unrestricted possession of Candidate prior to its disclosure by Franchisor; is or becomes generally available to the public by acts other than those of Candidate after receiving it; has been received lawfully and in good faith by Candidate from a third party who did not derive it from Franchisor or Candidate; or is shown by acceptable evidence to have been independently developed by Candidate.

2.2. **Value**. The Confidential Information has been developed by Franchisor, and its parent company and affiliate by the investment of time, skill, effort and money and is widely recognized by the public and is of substantial value.

2.3. **Proprietary**. The Confidential Information is proprietary, confidential and constitutes a trade secret of Franchisor and its affiliates.

2.4. **Maintain Confidentiality**. Candidate will fully and strictly maintain the confidentiality of the Confidential Information, will exercise the highest degree of diligence in safeguarding the Confidential Information and will not disclose or reveal the Confidential Information to any person other than another person who is actively and directly participating in the acquisition of the franchise with Candidate, but only after first disclosing the identity of such person to Franchisor in writing and obtaining such person's signature on a Non-Disclosure Agreement similar to this Agreement, unless covered by attorney-client privilege.

2.5. **Reproduction and Use**. Candidate will not directly or indirectly reproduce or copy any Confidential Information or any part thereof and will make no use of any Confidential Information for any purpose whatsoever unless and until Candidate becomes a franchisee of Franchisor, and then only in accordance with the provisions of Candidate's Franchise Agreement.

2.6 **No Prior Experience**. Candidate specifically acknowledges and agrees that prior to the execution of this Agreement, Candidate had no experience, information or knowledge whatsoever about Food Service Counters or restaurants that serve or offer prepared sushi and other Asian style foods and that Candidate's knowledge of the Confidential Information was obtained solely from Franchisor pursuant to this Agreement. In addition, Candidate specifically acknowledges that, pursuant to this Agreement, Candidate will receive valuable Confidential Information regarding the operational, sales, promotional, and marketing methods and techniques of Franchisor and the AFC System, which are unique and proprietary to Franchisor, derive independent economic value from not being generally known to the public and are the subject of Franchisor's efforts and that are reasonable under the circumstances to maintain their secrecy.

3. **GENERAL.**

3.1. **Injunction.** Candidate recognizes the unique value and secondary meaning attached to the Confidential Information and the elements of the AFC System and agrees that any noncompliance with the terms of this Agreement or any unauthorized or improper use of the Confidential Information will cause irreparable damage to Franchisor and its franchisees. Candidate therefore agrees that if Candidate should engage in any such unauthorized or improper use of the Confidential Information, Franchisor shall be entitled to both permanent and temporary injunctive relief from any court of competent jurisdiction without notice or the posting of any bond, in addition to any other remedies prescribed by law.

3.2. **Heirs and Successors.** This Agreement shall be binding upon and inure to the benefit of the parties, their heirs, successors and assigns.

3.3. **Entire Agreement.** This Agreement represents the entire understanding between the parties regarding the subject matter of this Agreement and supersedes all other negotiations, agreements, representations and covenants, oral or written. This Agreement may not be modified except by a written instrument signed by Franchisor and Candidate that expressly modifies this Agreement. The parties intend this Agreement to be the entire integration of all of their agreements regarding the subject matter of this Agreement. No other agreements, representations, promises, commitments or the like, of any nature, exist between the parties.

3.4. **No Right to Use the AFC System or the AFC Marks.** This Agreement is not a Franchise Agreement or a license of any sort, and does not grant Candidate any right to use or to franchise or license the use of, the Confidential Information, which right is expressly reserved by Franchisor.

3.5. **Waiver.** Failure by Franchisor to enforce any rights under this Agreement shall not be construed as a waiver of such rights. Any waiver, including a waiver of default, in any one instance shall not constitute a continuing waiver or a waiver in any other instance.

3.6. **Validity.** Any invalidity of any portion of this Agreement shall not affect the validity of the remaining portions and unless substantial performance of this Agreement is frustrated by any such invalidity, this Agreement shall continue in full force and effect.

3.7. **Headings and Gender.** The headings herein are for purposes of convenience only and shall not be used in construing the provisions hereof. As used herein, the male gender shall include the female and neuter genders, the singular shall include the plural and the plural, the singular.

3.8. **Attorneys' Fees.** If Franchisor becomes a party to any legal proceedings concerning this Agreement by reason of any act or omission of Candidate or its authorized representatives, Candidate shall be liable to Franchisor for the reasonable attorneys' fees and court costs incurred by Franchisor in the legal proceedings. If either party commences a legal proceeding against the other party arising out of or in connection with this Agreement, the prevailing party shall be entitled to have and recover from the other party its reasonable attorneys' fees and costs of suit.

3.9. **Cumulative Remedies.** Any specific right or remedy set forth in this Agreement, legal, equitable, or otherwise, shall not be exclusive, but shall be cumulative with all other rights or remedies set forth herein or allowed or allowable by law.

3.10. **Notices.** Except as otherwise stated in this Agreement, all notices which are required by this Agreement shall be deemed to be delivered 3 days after being placed in the U.S. Mail, certified mail, return receipt requested or priority mail with delivery receipt confirmation, or one day after being sent by United Parcel Service or other receipted overnight courier service if addressed to a party at the address stated in the introductory paragraph of this Agreement, or other address of which a party has given notice to the other, or immediately by hand delivery to a party. Franchisee shall

provide Franchisor Franchisee’s physical address for notice purposes under this Section and shall keep Franchisor updated of any changes thereto.

3.11. **Governing Law.** This Agreement takes effect upon its acceptance and execution by Franchisor in California, and shall be interpreted and construed under the laws of California.

3.12. **Venue.** The parties agree that any action brought by either party against the other in any court, whether federal or state, shall be brought within the city and county in which Franchisor has its principal place of business at the time the action is initiated, and the parties hereby waive all questions of personal jurisdiction or venue for the purpose of carrying out this provision.

3.13. **Counterparts and Electronic Transmission; Electronic Signatures.** This Agreement may be executed in any number of counterparts, each of which shall be deemed to be an original and all of which together shall be deemed to be one and the same instrument. Copies of this Agreement with signatures that have been transmitted by email or by facsimile shall constitute and be deemed original copies of this Agreement for all purposes, provided that the copies are fully executed, dated and identical in form to the original hard copy version of this Agreement. In addition, this Agreement may be signed electronically by the Parties and electronic signatures appearing on this Agreement shall be deemed to be the same as handwritten signatures for the purposes of the validity, enforceability and admissibility of this Agreement.

**IN WITNESS WHEREOF**, the parties have executed this Agreement as of the Effective Date.

**FRANCHISOR:**

**CANDIDATE:**

ADVANCED FRESH CONCEPTS FRANCHISE CORP.,  
A California corporation

By: \_\_\_\_\_  
Name: \_\_\_\_\_  
Title: \_\_\_\_\_

By: \_\_\_\_\_  
Name: \_\_\_\_\_  
Title: \_\_\_\_\_

**EXHIBIT PQ**

**TABLET AND RICE SHEETER  
SPECIFICATIONS**

## Appendix

Samsung Tablet A7 Lite



<b>NETWORK</b>	<u>Technology</u>	<u>GSM / HSPA / LTE</u>
<b>LAUNCH</b>	<u>Announced</u>	2021, May 27
	<u>Status</u>	Available. Released 2021, June 18
<b>BODY</b>	<u>Dimensions</u>	212.5 x 124.7 x 8 mm (8.37 x 4.91 x 0.31 in)
	<u>Weight</u>	366 g (Wi-Fi), 371 g (LTE) (12.91 oz)
	<u>Build</u>	Glass front, aluminum back, aluminum frame, plastic ends
	<u>SIM</u>	Nano-SIM
<b>DISPLAY</b>	<u>Type</u>	TFT
	<u>Size</u>	8.7 inches, 214.9 cm <sup>2</sup> (~81.1% screen-to-body ratio)
	<u>Resolution</u>	800 x 1340 pixels, 5:3 ratio (~179 ppi density)
<b>PLATFORM</b>	<u>OS</u>	Android 11, One UI 3.1
	<u>Chipset</u>	Mediatek MT8768T Helio P22T (12 nm)
	<u>CPU</u>	Octa-core (4x2.3 GHz Cortex-A53 & 4x1.8 GHz Cortex-A53)
	<u>GPU</u>	PowerVR GE8320
<b>MEMORY</b>	<u>Card slot</u>	microSDXC (dedicated slot)
	<u>Internal</u>	32GB 3GB RAM, 64GB 4GB RAM eMMC 5.1
<b>MAIN CAMERA</b>	<u>Single</u>	8 MP, AF
	<u>Video</u>	1080p@30fps
<b>SELFIE CAMERA</b>	<u>Single</u>	2 MP
	<u>Video</u>	
<b>SOUND</b>	<u>Loudspeaker</u>	Yes, with stereo speakers
	<u>3.5mm jack</u>	Yes
<b>COMMS</b>	<u>WLAN</u>	Wi-Fi 802.11 a/b/g/n/ac, dual-band, Wi-Fi Direct, hotspot
	<u>Bluetooth</u>	5.0, A2DP, LE
	<u>GPS</u>	Yes, with A-GPS, GLONASS, BDS, GALILEO
	<u>NFC</u>	No
	<u>Radio</u>	No
	<u>USB</u>	USB Type-C 2.0
<b>FEATURES</b>	<u>Sensors</u>	Accelerometer, compass
<b>BATTERY</b>	<u>Type</u>	Li-Po 5100 mAh, non-removable
	<u>Charging</u>	Fast charging 15W

# BOHA!™ WORK STATION

The most powerful, flexible back-of-house tool.

The base of your BOHA! Work Station is a print station like no other. Best-in-class printer mechs let you print date-code, nutrition, grab 'n go, prep, Use By, even dual-column labels, all through the BOHA! Labeling app.



\*iPad sold separately



## Mobile WiFi Printing

Print labels from anywhere with a connected tablet via BOHA! Link's WiFi network AND fast. Labels print quickly at 5 inches per second.



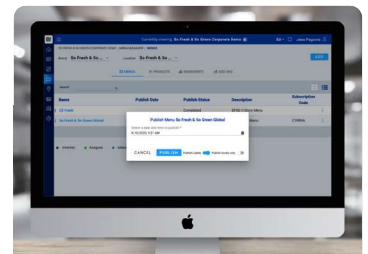
## Label Flexibility

Print 1", 2" or 3" wide labels with drop-in paper loading convenience.



## Crisper, Cleaner Printing

Industry leading 300dpi ensures your labels are easy-to-read and FDA compliant.



## Centralized Menu Management

Centrally manage your menu information from BOHA! Control Center and send Cloud Based updates.

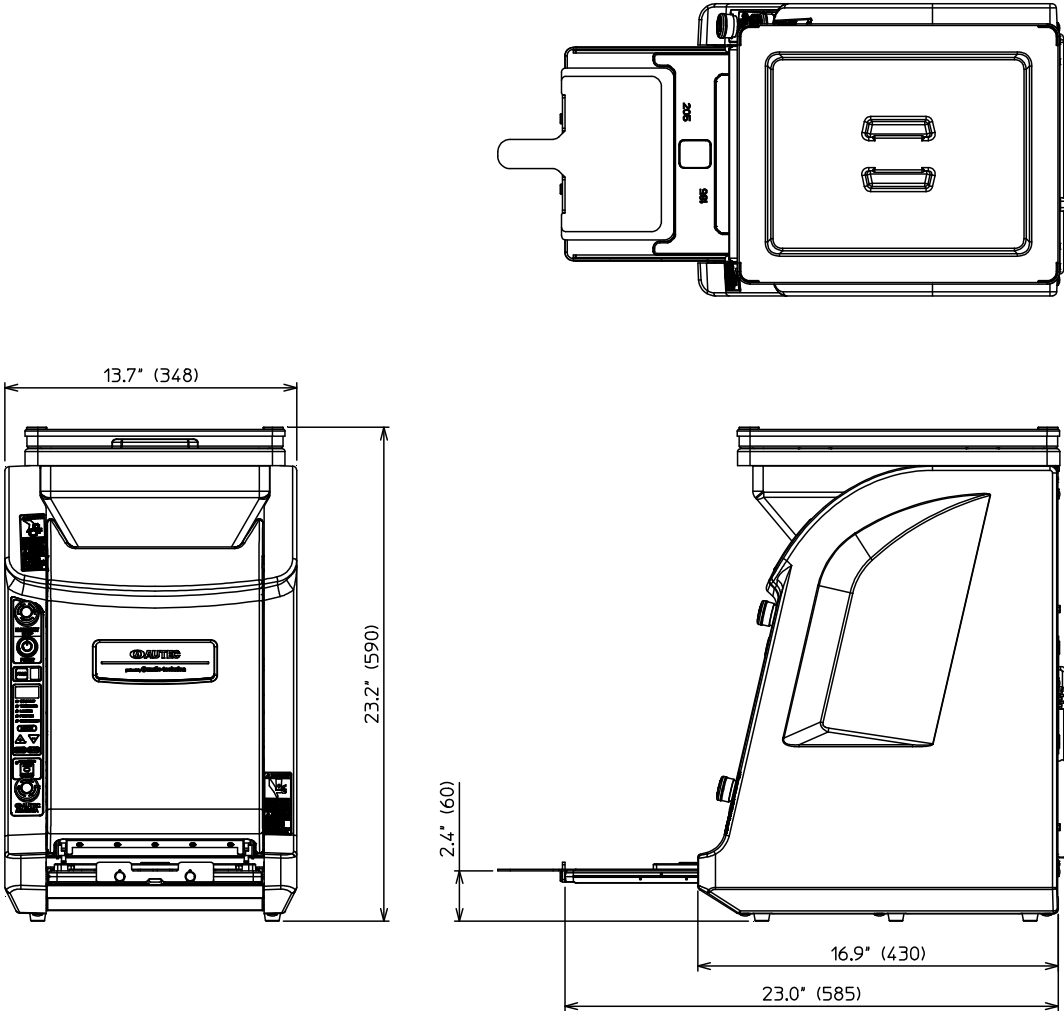
## SPECIFICATIONS

<b>Print Mechanisms</b>	2	<b>Communications</b>	WiFi 802.11 b/g/n/ac, 2.4/5 GHz Bluetooth 4.2 Bluetooth Low Energy (BLE)
<b>Print Resolution</b>	300 dpi (11.8 dot.mm)	<b>Ethernet</b>	Ethernet (Max throughput 300 Mbps)
<b>Max Print Zone</b>	2.87" (73mm)	<b>USB Charging Connections</b>	2 - USB Type A, 1 - USB Type C
<b>Print Speed</b>	5 ips (127mm/sec)	<b>USB Data Ports</b>	3 USB 2.0 High Speed Ports
<b>Print Head Life</b>	50 km	<b>Program Storage</b>	SD Card – 32 GB
<b>Paper Path</b>	Open	<b>Power Supply</b>	Internal, 110-240 VAC, 50/60Hz
<b>Label Types</b>	Direct Thermal, Die Cut Direct Thermal, Continuous w/Liner	<b>Dimensions</b>	10.8"W x 10.0"D x 9.3"H
<b>Label Position Detection</b>	Gap sensing	<b>Weight</b>	5 lbs
<b>Maximum Label Roll Diameter</b>	4.5" (114.3mm)	<b>Operating Temperature</b>	5-50°C, 10-90% RH
<b>Maximum Label Length</b>	22" (560mm)	<b>Compliance</b>	TUV, FCC, IC, CE, RED, ROHS 3
<b>Label Width</b>	1" - 3" wide, fully adjustable	<b>Warranty</b>	1 Year Standard Warranty

# Product Specifications

Product Name	Rice Mat Maker for Commercial Use
Machine Name	MAK I MAKER
Model Name	ASM865A
Power Source	AC 120V, 60Hz
Power Consumption	115W, 1A
External Dimensions	W 13.7in. x D 16.9 in. (max 23.0 in.) x H 23.2 in. (W 348 mm x D 430 mm (max585mm) x H 590 mm) * Excluding the Power Cord and salient of the Screws.
Weight	70.5 lbs. (32 kg.)
Rice Mat Forming Size	
Rice Mat Width	7.4 in.(185mm) (vertical roll forming unit)/8.2 in.(205mm) (horizontal roll forming unit)
Rice Mat Length	1.2 in. ~ 8.6 in. (30 mm to 215 mm)
Rice Mat Thickness	0.2 in. ~ 0.6 in. (5 mm to 15 mm)
Rice Amount Adjustable Range	1.4 oz. ~ 14.0 oz. (40 to 400 g)
Seaweed Size Available	7.4in. x 4.2 in. ~ 8.4 in. (185mm x 105 mm to 210 mm)
Forming Capacity (Continuous Supply Operation)	
Cycle time	3.0 to 4.0 seconds
Forming capacity per hour	900 to 1200 mats per hour
Hopper Capacity (Rice Amount)	Maximum: Approx. 18.1 lbs. (8.2 kg)
Rice Supply	Automatic stirring supply (beltless) method
Rice Mat Thickness Adjustment Method	Motor drive method (Automatic setting)
Optional Functions	Heater function: equipped with a heater at the back of the Rice Guide Auto supply function: equipped with a function to automatically start operation after the rice mat is removed
Accessories	Pick Plate x 2
Optional Parts	Extension switch & extension cable (The switch can be used as a foot switch when connected to the extension cable.)
Fuse Capacity	2 amperes (A)
Power Cord	Grounding type Plug (9.8 ft. (3m) Cord) Inlet plug-in type

# External Diagrams



- Specifications and design of the machine are liable to change without prior notice for purposes of improvement.

# Specifications

## General Specifications

Name	Rice Sheet MACHINE	
Model	SVR-NYA-EH	
Dimensions	W360 X D550 X H640 mm	
Weight	Approx. 36 kg or less (reference value)	
Power Supply	AC 110V - 120V	
Power Consumption	70W	
Rated Frequency	50/60Hz	
Power Cord	A UL/CSA approved power supply cord set shall be used. Type STO, 60 C, VW-1, 3Cx16AWG, rated 300V, 2 mm finished length min, with molded-on attachment plug NEMA5-15p.	
Hopper Capacity	7.5kg (Approximately 2.5 "shou" <sup>*3)</sup> )	
Number of Roll Sizes	6 Settable Patterns	
Rice Amount <sup>*1</sup>	Thin Roll	Approx. 80g
	Medium Roll	Approx. 140g
	Thick Roll	Approx. 285g
Performance <sup>*2</sup>	Thin Roll	Approx. 950 rolls/hour
	Medium Roll	Approx. 850 rolls/hour
	Thick Roll	Approx. 750 rolls/hour

Operation Environment (items prepared by the customer)	Installation Site	Indoors
	Condition of Installation	On a flat counter or table, where the top surface is not slippery.
	Ambient Air Temperature	Between 5°C and 35°C Under the condition of no dew condensations on any point of the machine surface.
	Relative Humidity	Between 30% and 85%
	Atmosphere Environment	No dust No corrosive gas

\*1 The default value is adjustable. The value depends on the settings of length, thickness, and density of rice.

\*2 Handling time of filling, 3 seconds for each roll, is included.

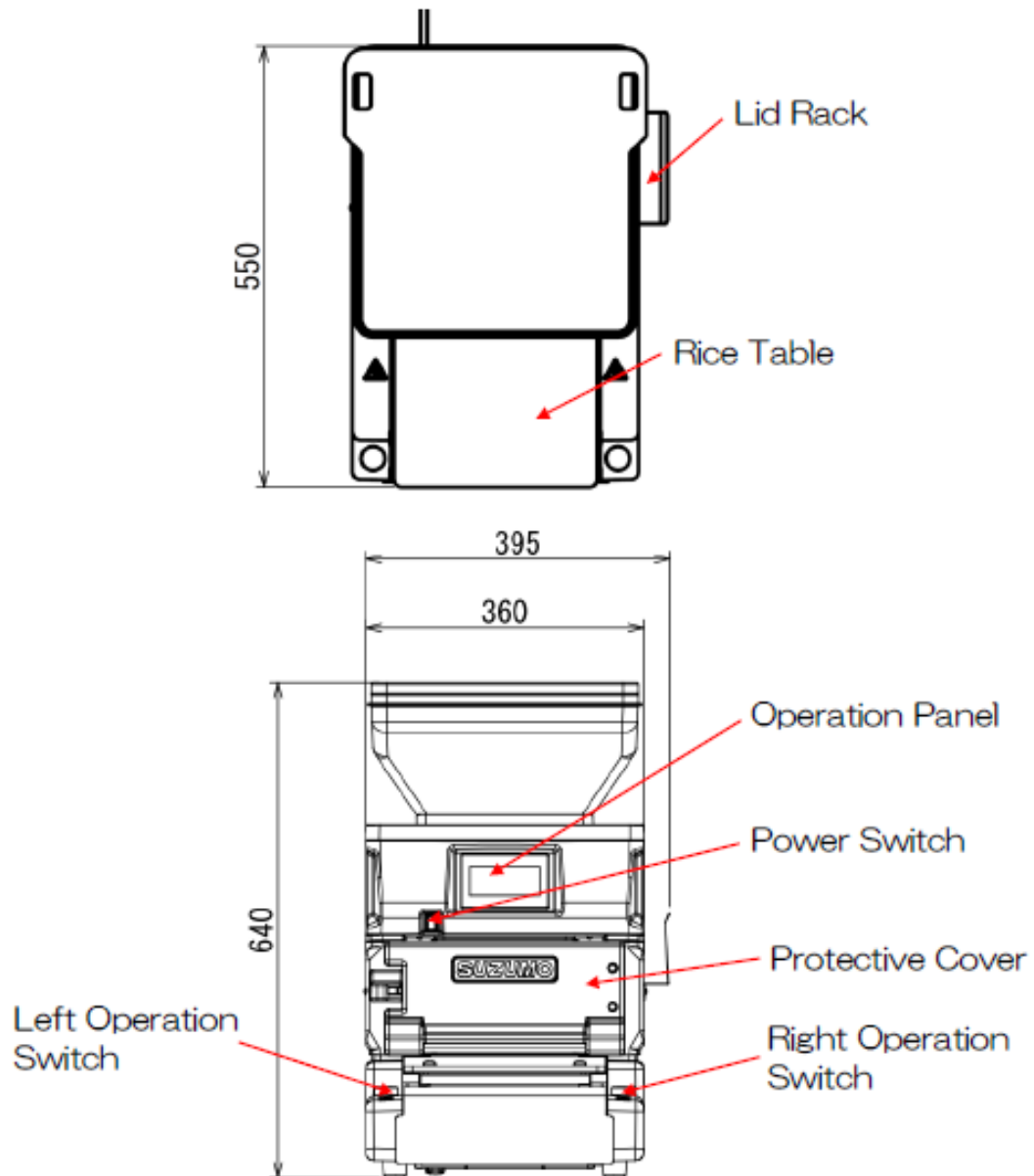
\*3 “shou” is a Japanese measurement unit for the amount of dried rice. The weight of cooked rice is to be about 3 kg for 1 “shou”. 7.5kg of sushi rice corresponds to 12.5L (liters).

Note!

- Place the machine on a flat surface. If the machine is placed on an inclined plane, it cannot work enough as shown in Specifications.

## Line Drawings

### ■ SVR-NYA-EH



# **EFFECTIVE DATES**

## State Effective Dates

The following states have franchise laws that require that the Franchise Disclosure Document be registered or filed with the state, or be exempt from registration: California, Hawaii, Illinois, Indiana, Maryland, Michigan, Minnesota, New York, North Dakota, Rhode Island, South Dakota, Virginia, Washington, and Wisconsin.

This document is effective and may be used in the following states, where the document is filed, registered or exempt from registration, as of the Effective Date stated below:

State	Effective Date
California	Exempt
<u>Hawaii</u>	<u>Pending</u>
Illinois	Exempt
Indiana	<u>Pending</u> July 6, 2023
Maryland	Exempt
Michigan	<u>Pending</u> July 10, 2023
Minnesota	<u>Pending</u> July 26, 2023
North Dakota	<u>Pending</u> July 26, 2023
New York	Exempt
Rhode Island	<u>Pending</u> August 1, 2023
South Dakota	<u>Pending</u> June 30, 2023
Virginia	Exempt
<u>Washington</u>	<u>Pending</u>
Wisconsin	<u>Pending</u> June 30, 2023

Other states may require registration, filing, or exemption of a franchise under other laws, such as those that regulate the offer and sale of business opportunities or seller-assisted marketing plans.

**EXHIBIT **  
**RECEIPTS**

**RECEIPT**  
**(Franchisee's Copy)**

This disclosure document summarizes provisions of the franchise agreement and other information in plain language. Read this disclosure document and all agreements carefully.

If AFC offers you a franchise, AFC must provide this disclosure document to you 14 calendar-days before you sign a binding agreement with, or make a payment to, the franchisor or an affiliate in connection with the proposed franchise sale.

New York requires that we give you this disclosure document at the earlier of the first personal meeting or 10 business days before the execution of the franchise or other agreement or the payment of any consideration that relates to the franchise relationship. Michigan requires that we give you this disclosure document at least 10 business days before the execution of any binding franchise or other agreement or the payment of any consideration that relates to the franchise relationship, whichever occurs first.

If AFC does not deliver this disclosure document on time or if it contains a false or misleading statement, or a material omission, a violation of federal and state law may have occurred and should be reported to the Federal Trade Commission, Washington D.C. 20580 and the state administrator listed in Exhibit N to the disclosure document.

The name, principal business address and phone number of each franchise seller offering the franchise is:

**Franchisor:**

Advanced Fresh Concepts Franchise Corp.  
19700 Mariner Avenue  
Torrance, California 90503  
Telephone: 310-604-3200  
info@afcsushi.com  
www.afcsushi.com

**Franchise Seller:**

Name of Individual(s) selling on behalf of Franchisor:

\_\_\_\_\_  
\_\_\_\_\_

Advanced Fresh Concepts Franchise Corp.  
19700 Mariner Avenue  
Torrance, California 90503  
Telephone: 310-604-3200

Issuance Date: ~~June 28, 2023~~ July 23, 2024.

We authorize Incorp Services, Inc. 5716 Corsa Avenue, Suite 110, Westlake Village, California 91362-7354 to receive service of process for us or see Exhibit N if you are located outside California.

I received a Disclosure Document dated ~~June 28, 2023~~ July 23, 2024, that included the following Exhibits:

A.	Financial Statements	J.	Food Service Counter Transfer Agreement
B.	Franchise Application	K.	Promissory Note
C.	Franchise Agreement	L.	Table of Contents of Manuals
D.	Full-Time Location Franchise Addendum	M.	List of Franchisees, Company Owned Locations, Transfers, Terminations, Non-Renewals, Ceased Operations/Other in our Last Fiscal Year
E.	Part-Time Location Franchise Addendum	N.	List of State Administrators and Agents for Service of Process
F.	Self-Service Location Addendum	O.	State Specific Addenda
G.	General Release	<del>P.</del>	<u>Confidentiality Agreement</u>
H.	Assignment of Franchise Agreement and Franchisor Consent	<del>PQ.</del>	Tablet and Rice Sheeter Specifications
I.	Asset Sale and Purchase Agreement	<del>QR.</del>	Receipts

Date: \_\_\_\_\_

\_\_\_\_\_  
PROSPECTIVE FRANCHISEE'S SIGNATURE

\_\_\_\_\_  
(Print Name)

**Keep This Copy for Your Records.**

**RECEIPT**  
**(Franchisor's Copy)**

This disclosure document summarizes provisions of the franchise agreement and other information in plain language. Read this disclosure document and all agreements carefully.

If AFC offers you a franchise, AFC must provide this disclosure document to you 14 calendar-days before you sign a binding agreement with, or make a payment to, the franchisor or an affiliate in connection with the proposed franchise sale.

New York requires that we give you this disclosure document at the earlier of the first personal meeting or 10 business days before the execution of the franchise or other agreement or the payment of any consideration that relates to the franchise relationship. Michigan requires that we give you this disclosure document at least 10 business days before the execution of any binding franchise or other agreement or the payment of any consideration that relates to the franchise relationship, whichever occurs first.

If AFC does not deliver this disclosure document on time or if it contains a false or misleading statement, or a material omission, a violation of federal and state law may have occurred and should be reported to the Federal Trade Commission, Washington D.C. 20580 and the state administrator listed in Exhibit N to the disclosure document.

The name, principal business address and phone number of each franchise seller offering the franchise is:

**Franchisor:**

Advanced Fresh Concepts Franchise Corp.  
19700 Mariner Avenue  
Torrance, California 90503  
Telephone: 310-604-3200  
info@afcsushi.com  
www.afcsushi.com

**Franchise Seller:**

Name of Individual(s) selling on behalf of Franchisor:

\_\_\_\_\_  
\_\_\_\_\_  
Advanced Fresh Concepts Franchise Corp.  
19700 Mariner Avenue  
Torrance, California 90503  
Telephone: 310-604-3200

Issuance Date: ~~June 28, 2023~~ July 23, 2024.

We authorize Incorp Services, Inc. 5716 Corsa Avenue, Suite 110, Westlake Village, California 91362-7354 to receive service of process for us or see Exhibit N if you are located outside California.

I received a Disclosure Document dated ~~June 28, 2023~~ July 23, 2024, that included the following Exhibits:

A.	Financial Statements	J.	Food Service Counter Transfer Agreement
B.	Franchise Application	K.	Promissory Note
C.	Franchise Agreement	L.	Table of Contents of Manuals
D.	Full-Time Location Franchise Addendum	M.	List of Franchisees, Company Owned Locations, Transfers, Terminations, Non-Renewals, Ceased Operations/Other in our Last Fiscal Year
E.	Part-Time Location Franchise Addendum	N.	List of State Administrators and Agents for Service of Process
F.	Self-Service Location Addendum	O.	State Specific Addenda
G.	General Release	<u>P.</u>	<u>Confidentiality Agreement</u>
H.	Assignment of Franchise Agreement and Franchisor Consent	<u>PQ.</u>	Tablet and Rice Sheeter Specifications
I.	Asset Sale and Purchase Agreement	<u>QR.</u>	Receipts

Date: \_\_\_\_\_

\_\_\_\_\_  
PROSPECTIVE FRANCHISEE'S SIGNATURE

\_\_\_\_\_  
(Print Name)

**Return this copy to us.**